



WEIL-McLAIN[®]

SERVICE PARTS CATALOG

Issued June, 2020

-- REFERENCE ONLY --

SOME PARTS ARE NO LONGER AVAILABLE
This catalog is no longer updated. See our
"Parts Selector" tool on Weil-McLain.com

DISCONTINUED PARTS
Pages 306- 458

For trade price schedule, wiring diagrams, boiler manuals or appropriate
control supplement, please go to Weil-McLain.com

DISCONTINUED PARTS

Table Of Contents

Gas Boilers

GV Series 1-2	306
GV Series 3-4	314
CG/CGm Series 1-12.....	322
CGs Series 1.....	336
CGx Series 1-2.....	344
CGi Series 1	348
Ultra Series 1-2	356
HE, HEII & VHE.....	366
EG Series 1-4	376
EGH Series 1-4.....	386
AHE Series 1-4.....	396
LGB Series 1	406
PFG Series 1-7.....	422

Oil Boilers

68.....	430
76.....	435

Gas/Oil Boilers

78.....	438
---------	-----

Electric Boilers

CE, CER, PER.....	442
-------------------	-----

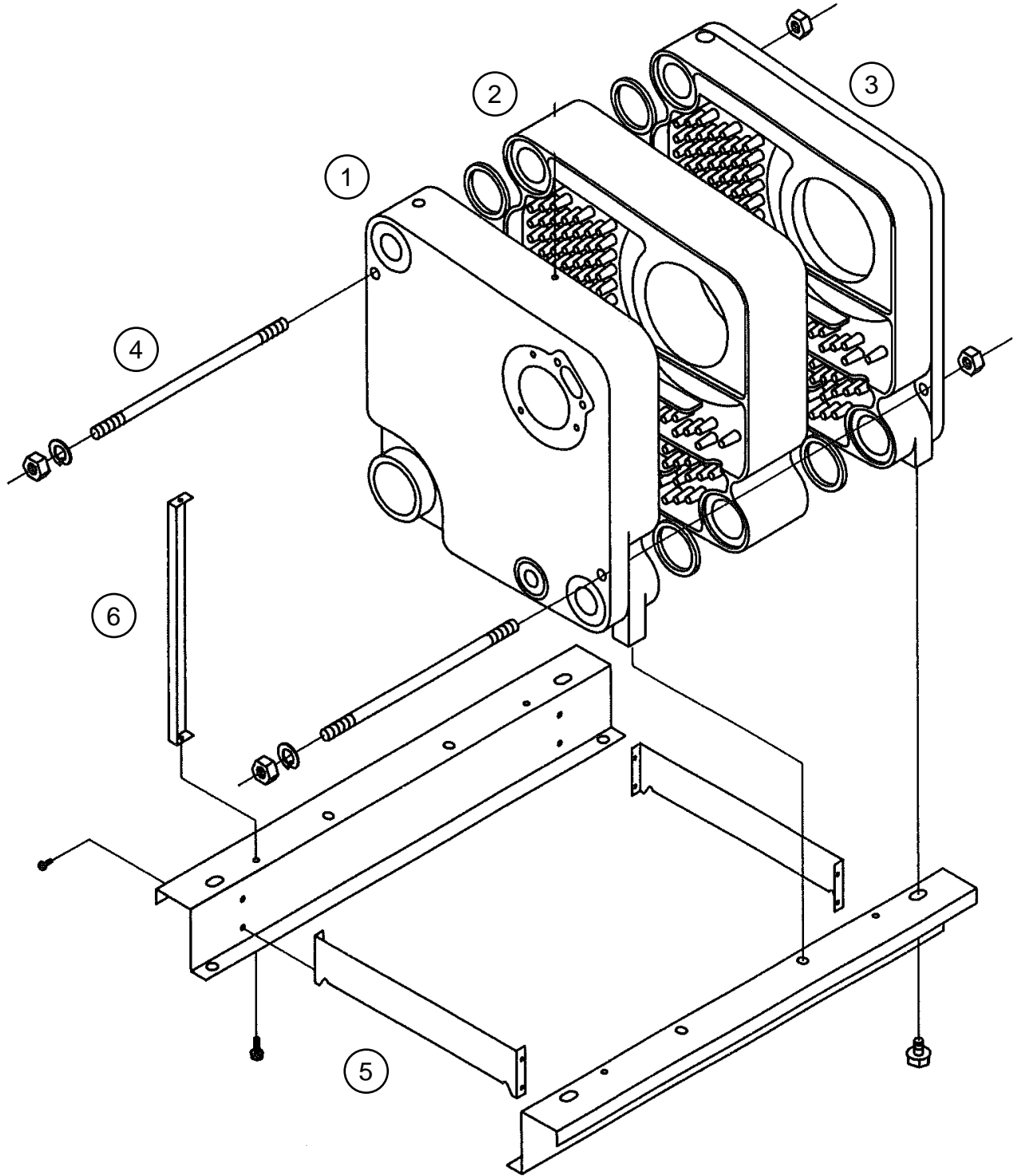
Additional Products

Gold Plus and Ultra Plus.....	447
Plus Commercial.....	448
EMCS/BCP Boiler Controls.....	449

Miscellaneous Information

Burner Manufacturer Contact Information.....	456
--	-----

GV - Series 1 & 2 Section Assembly



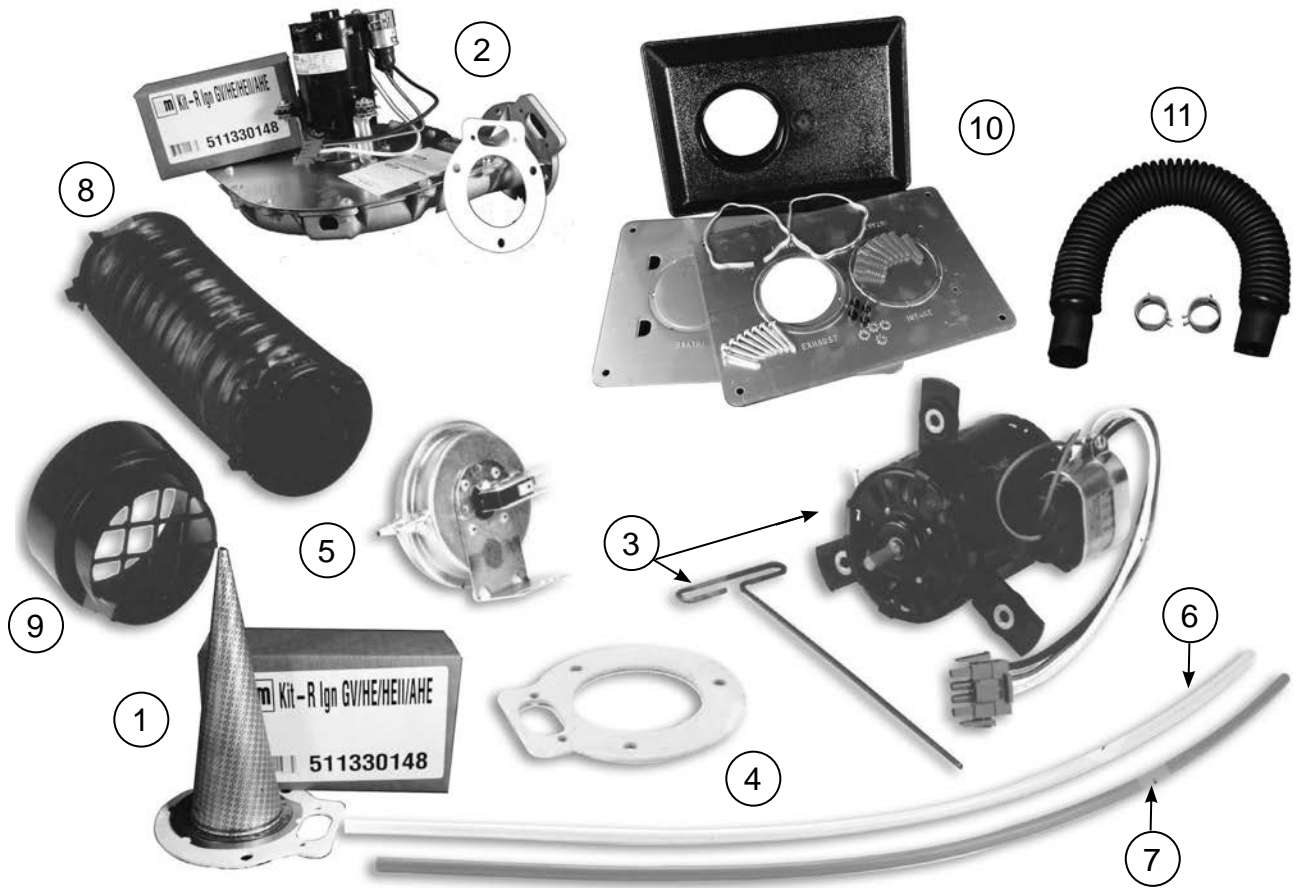
GV - Series 1 & 2 Section Assembly Parts

Fig. No.	Part No.	Description	Series No.	Model
N/S	322-200-240	Section Assembly (Repair Kit Required) See Note 1	1,2	GV-3
	322-200-245		1,2	GV-4
	322-200-250		1,2	GV-5
	322-200-255	Section Assembly, GV-6 (Repair Kit Required)	1,2	GV-6
	382-200-390	Repair Kit For Replacing Entire Block (Includes: Water Tubing-Pump to Return, 1" N.P.T. Male Adapters, Blower Flange Gasket, Igniter and Gasket, Screws, Studs, Nuts, Washers)	2	All
	382-200-461	Repair Kit For Replacing Entire Block (Includes: Water Tubing-Pump to Return, 1" N.P.T. Male Adapters, Blower Flange Gasket, Igniter and Gasket, Screws, Studs, Nuts, Washers)	1	
1	312-200-140	Front Section 3914 (Repair Kit Required)	2	
2	312-200-110	Intermediate Section 3915 (Repair Kit Required)	1,2	
3	312-200-130	Back Section 3918 (Repair Kit Required)	1,2	
N/S	382-200-300	Repair Kit, Front Section (Includes: Square Cut Seals, Silicone Sealant, Tie Rod Washers, Water Tubing-Pump to Return, 1" N.P.T. Male Adapters, Blower Flange Gasket, Igniter, Igniter Gasket, Screws, Studs, Washers, Nuts)	1,2	
	382-200-305	Repair Kit, Intermediate/ Back Sections (Includes: Square Cut Seals, Silicone Sealant, Tie Rod Nuts, Tie Rod Washers) 1 Kit Per Joint	1,2	
4	560-234-499	7/16" Tie Rod Without Nut (2 Per Boiler): (10-1/2")	1,2	GV-3
	560-234-525	7/16" Tie Rod Without Nut (2 Per Boiler): (14")	1,2	GV-4
	560-234-503	7/16" Tie Rod Without Nut (2 Per Boiler): (18")	1,2	GV-5
	560-234-504	7/16" Tie Rod Without Nut (2 Per Boiler): (21")	1,2	GV-6
	561-928-235	Regular Hex Nut 7/16" (2 Per Tie Rod)	2	
	562-248-684	Washer, Medium Plain Split Lock 7/16 (1 Per Tie Rod)	1,2	
5	452-100-080	Base Rail Brace	1,2	
6	452-100-111	Blower Housing Support	1,2	
N/S	592-002-029	Touch Up Paint - Gold - Low E 4.5oz Can		All

Note 1:

Series 1 block assembly for GV boilers no longer available. Series 2 block can be used on Series 1 boiler. Only difference is bypass tapping on top of front section is 3/4" on series 2 block and 1/2" on series 1 block. Use 3/4" x 1/2" bushing and/or see Tech Bulletin SB0401R1 at our web site, www.weil-mclain.com.

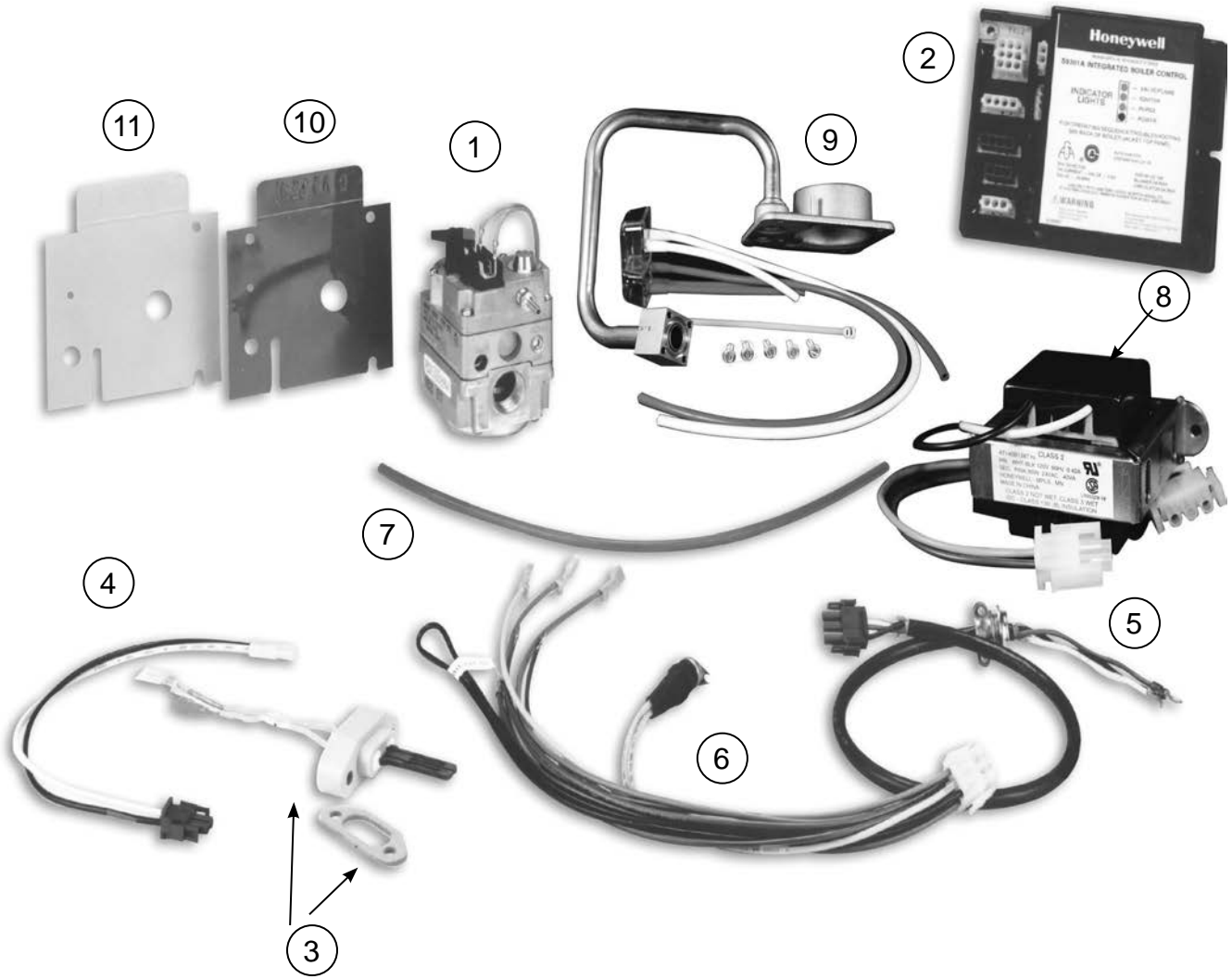
GV - Series 1 & 2 Blower Assembly



GV - Series 1 & 2 Blower Assembly Parts

Fig. No.	Part No.	Description	Model
1	382-200-320	Burner Replacement Kit (Includes: Burner Cone And Ring Assembly, Blower Flange Gasket, Igniter, Igniter Gasket, Igniter Screws and Washers)	GV-3
	382-200-325		GV-4
	382-200-330		GV-5
	382-200-335		GV-6
2	382-200-340	Blower Assembly Replacement Kit (Includes: Blower Housing Assembly, Blower Motor With Mounting Brackets, Magnetic Washer, Blower Flange Gasket, Igniter, Igniter Gasket, Screws and Washers)	
3	382-200-345	Blower Motor Replacement Kit (Includes: Blower Motor, Motor Mount Grommets, Screws, Lock Nuts, 9" Tee Handle Allen Wrench)	
4	590-317-610	Blower Flange Gasket	
N/S	590-317-599	Igniter Gasket	
5	511-624-520	Pressure Switch (0 to 5,500 ft. Elevation) 1.4" W.C.	
	382-200-317	Pressure Switch Kit (5,500 ft. to 10,000 ft. Elevation) 1.25" W.C.	
6, 7	382-200-409	Sense Line Condensate Kit (Includes: 2 White Pressure Switch Tubes, 3 Red Pressure Switch Tubes and Plastic Condensate Trap)	
8	382-200-315	Inlet Air Hose Replacement Kit (Includes: 13" Black Flexible Intake Hose with Clamps)	
9	382-200-310	Inlet Air Fitting, Plastic, with Grill	
N/S	382-200-350	Vent Ell Replacement Kit, Stainless Steel (Includes: Vent Ell With Drain Barb, Sealant, Hose Clamp Screws and Instructions)	
10	382-200-430	Intake/Exhaust Termination Kit (Includes: Black Plastic Intake/Exhaust Cap, Mounting And Backing Plate, Hardware, and Instructions)	
N/S	699-999-021	Vent Starter/Termination Retrofit Kit (Includes: Stainless Vent Ell With Drain Barb, Standard Straight 3" Stainless Starter, Stainless Termination Coupling, High Temp Silicone, Black Plastic Intake/Exhaust Plate, Stainless Wall Mount Plate, Hardware and Instructions)	
11	382-200-385	Hose Trap Replacement Kit (Includes: 9.5" Flexible Drain Hose and 2 Clamps)	
N/S	382-200-406	Condensate Drain Line Check Valve Kit	All
	592-900-036	Anderol 465 1.7oz. Tube	All
	381-400-010	GV Bug Box - Instructions Included	All

GV - Series 1 & 2 Gas / Ignition Controls



GV - Series 1 & 2 Gas / Ignition Control Parts

Fig. No.	Part No.	Description	Model
1	382-200-410	Gas Valve Replacement Kit (Includes: Negative Regulation Gas Valve, Left Hand Thread Adapter for Outlet, Hand Valve, Mounting Bracket, 12 VDC, Wiring Harness With 24 Vac to 19-21 VDC Rectifier)	
2	382-200-448	Gold Control Module Conversion Kit (Includes: Module, Circulator Harness, Temperature Sensor Jumper)	
3	511-330-148	Igniter Replacement Kit (Includes: Norton 271Y Igniter, Gasket and Screws)	
N/S	590-317-599	Igniter Gasket	
4	591-391-819	Wiring Harness – Control Module to Igniter	
5	591-391-821	Wiring Harness – Control Module to Junction Box	
6	591-391-820	Wiring Harness 9 Pin Connector, Control Module to T-Stat, Limit Switch, Pressure Switch, 24VAC Gas Valve, and Block Limit Switch. Used with White-Rodgers or Robertshaw Gas Valve	
N/S	591-391-919	Wiring Harness 9 Pin Connector, Control Module to T-Stat, Limit Switch, Pressure Switch, 19-21 VDC Gas Valve and Block Limit Switch. Used only with Honeywell VK8115V-1176 Gas Valve	
	591-391-902	Circulator Harness With Temperature Sensor Jumper - Included With 382-200-448 Conversion Kit	All
7	382-200-409	Pressure Switch Tubing – Replaced by Sense Line Condensate Kit (Includes: 2 White Pressure Switch Tubes, 3 Red Pressure Switch Tubes and Plastic Condensate Trap)	
8	511-842-370	24 volt Step Down Transformer, 40 VA	
9	382-200-355	Gas/Air Manifold Assembly (Includes: Manifold, Die Casting, Hose Barbs, Left Hand Threaded Fitting for Gas Valve)	
10	510-811-600	Natural to Propane Conversion Kit (Includes: Propane Orifice Plate, label)	GV-3
	510-811-605		GV-4
	510-811-610		GV-5
	510-811-615		GV-6
11	510-811-620	Propane to Natural Conversion Kit (Includes: Natural Orifice Plate, label)	GV-3
	510-811-625		GV-4
	510-811-630		GV-5
	510-811-635		GV-6

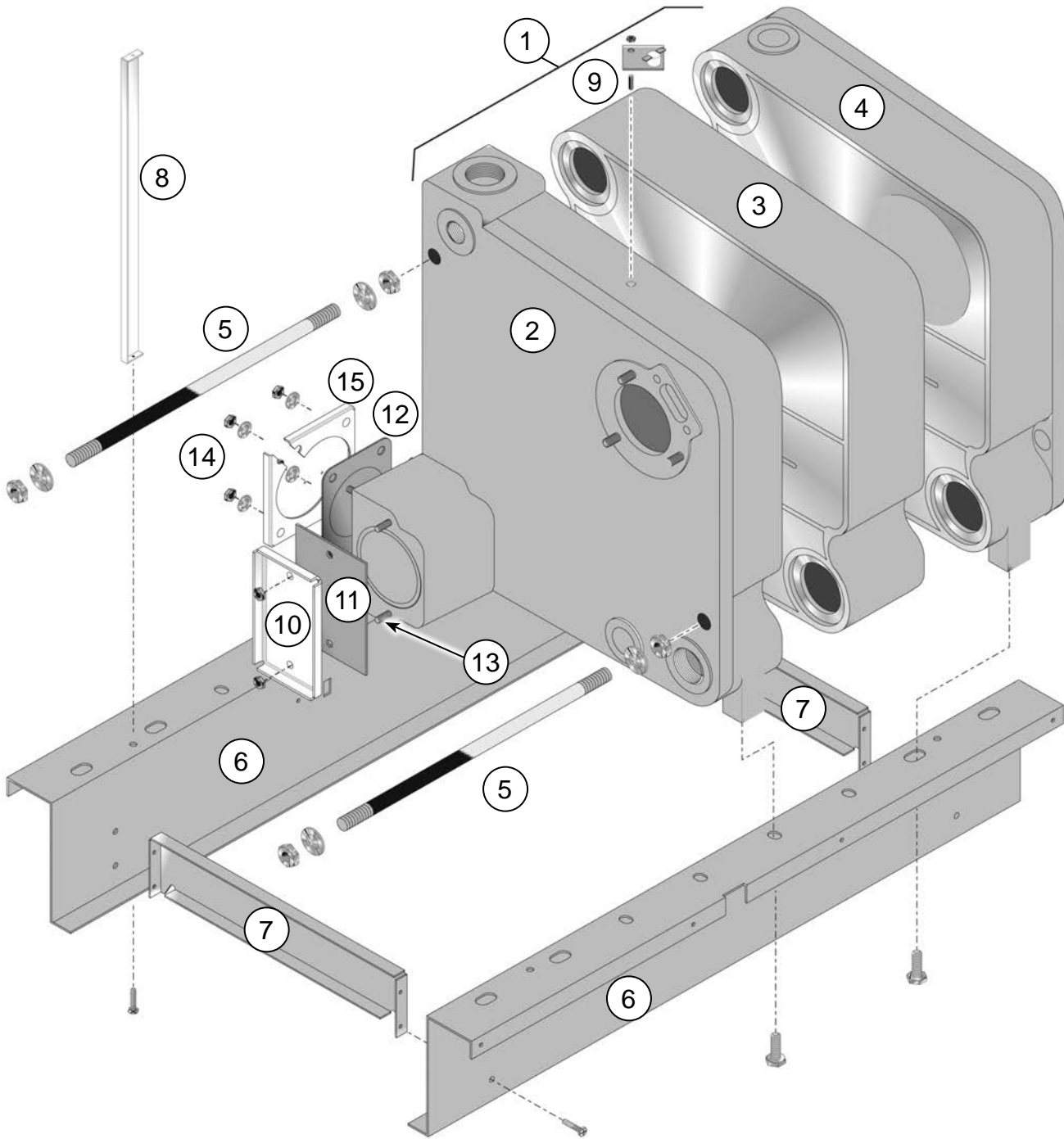
GV - Series 1 & 2 Water Trim



GV - Series 1 & 2 Water Trim

Fig. No.	Part No.	Description
1	510-312-021	High Limit Temperature Control, SPST, Automatic Recycle, 140-220°F, Range 30°F Fixed Differential, ½" N.P.T. Brass Control Well, No Remote Capillary, Mounts Directly On Well.
2	383-500-095	ASME Pressure Relief Valve, 30 PSIG, ¾" N.P.T. Male Inlet, Brass, Side ¾" N.P.T. Female Outlet
3	510-218-099	Combination Pressure-Temperature Gauge, 2½" Dial, 0-60 PSIG, 70-250°F, Short Shank, Back Connection, ¼" N.P.T.
4	511-210-423	Drain Valve, ¾" N.P.T., 1½" Shank, Brass
5	511-405-113	Circulator, 1/25 HP, 120/60/1 Motor, 1,750 RPM, .75 Amps
6	590-317-535	Circulator Gasket, Diamond Universal (Two Required Per Circulator)
7	381-354-525	Circulator Hardware Kit (Includes: 1 Flange, 2 Bolts, 2 Nuts, 1 Gasket, 1" N.P.T, Fits Taco Circulators)
8	591-391-818	Wiring Harness, Control Module to Circulator
9	Obsolete	Mixing Valve Series 2 (See Weil-McLain Technical Service Bulletin SB0401R1)
10	Obsolete	Mixing Valve Repair Kit (See Weil-McLain Technical Service Bulletin SB0401R1)
11	382-200-375	Block Temperature Switch Kit (Includes: Block Switch (350° Open, 250° Close and Mounting Bracket)
12	510-148-567	Automatic Air Vent, Float Type, ⅛" N.P.T.
N/S	561-013-849	Reducing Coupling, ½" x ⅛" N.P.T. For Taco Air Vent
13	510-632-088	Fill-Trol Diaphragm Expansion Tank, (Tank Only) with O-ring and Special Thread Connection To Fill Valve For GV 3 To 5
	510-632-089	Fill-Trol Diaphragm Expansion Tank, (Tank Only) with O-ring and Special Thread Connection To Fill Valve For GV-6
N/S	511-210-434	Fill Valve Angle Style-90 with Built-in Strainer, Pressure Reducer, Check Valve Requires User Provided Shut-Off Valve
	382-200-420	Fill-Trol Package Tank Kit with Fittings – For GV-3 To 5
	382-200-425	Fill-Trol Package Tank Kit with Fittings – For GV-6
	560-742-938	Copper Return Bend, 1", Requires 2 – 1" N.P.T. X 1" Sweat Adapters Which May Be Obtained Locally

GV - Series 3 & 4
Section Assembly



GV - Series 3 & 4 Section Assembly Parts

Fig. No.	Part No.	Description	Model
1	322-200-280	Section Assembly (Repair Kit Required)	GV-3
	322-200-281		GV-4
	322-200-282		GV-5
	322-200-283		GV-6
N/S	382-200-391	Repair Kit, Section Assemblies (Includes: Water Tubing, Pump to Return, Male Adapter 1" N.P.T., Blower Flange Gasket, Ignitor, Ignitor Gasket, Screws, Studs, Nuts, Washers)	
2	312-200-150	Front Section 3913 (Repair Kit Required)	All
N/S	382-200-301	Repair Kit, Front Section (Includes: Square Cut Seals, Silicone Sealant, Tie Rod Washers, Water Tubing, Pump Tt Return, Male Adapters 1" N.P.T., Blower Flange Gasket, Ignitor, Ignitor Gasket, Screws, Studs, Washers, Nuts)	
3	312-200-110	Intermediate Section 3915 (Repair Kit Required)	All
4	312-200-130	Back Section 3918 (Repair Kit Required)	All
N/S	382-200-305	Repair Kit, Intermediate/Back Sections (Includes: Square Cut Seals, Silicone Sealant, Tie Rod Nuts, Tie Rod Washers – (1) Kit Per Joint)	
	592-800-011	Square Cut Seals For Sections, 2" - 2 Required Per Joint	All
5	560-234-499	7/16" Tie Rod Without Nut (2 Per Boiler) (10 ½")	GV-3
	560-234-525	7/16" Tie Rod Without Nut (2 Per Boiler) (14")	GV-4
	560-234-503	7/16" Tie Rod Without Nut (2 Per Boiler) (18")	GV-5
	560-234-504	7/16" Tie Rod Without Nut (2 Per Boiler) (21")	GV-6
N/S	562-248-684	Washer Medium Plain Split Lock 7/16 (1 Per Tie Rod)	All
6	452-100-170	Base Rail Leg	GV-3 & 4
7	452-100-080	Base Rail Brace	All
8	452-100-111	Blower Housing Support	All
9	382-200-375	Block Temperature Switch Kit (Includes: Block Switch (350° Open, 250° Close) and Mounting Bracket)	All
10	560-907-629	Inspection Port Cover	All
11	590-317-628	Inspection Port Gasket	All
12	590-317-653	Starter Tee Gasket	All
13	560-340-581	Stud 5/16" – 18 x 1.25	All
14	Obtain Locally	Hex Nuts 4 Each 5/16" With Nylon Lockseal, Washer, Plain, 4 Each 5/16"	All
15	699-999-029	Vent Starter Tee Reinforcing Plate Sections (2)	All
N/S	592-002-029	Touch Up Paint - Gold - Low E 4.5oz Can	All

GV - Series 3 & 4 Blower Assembly Parts

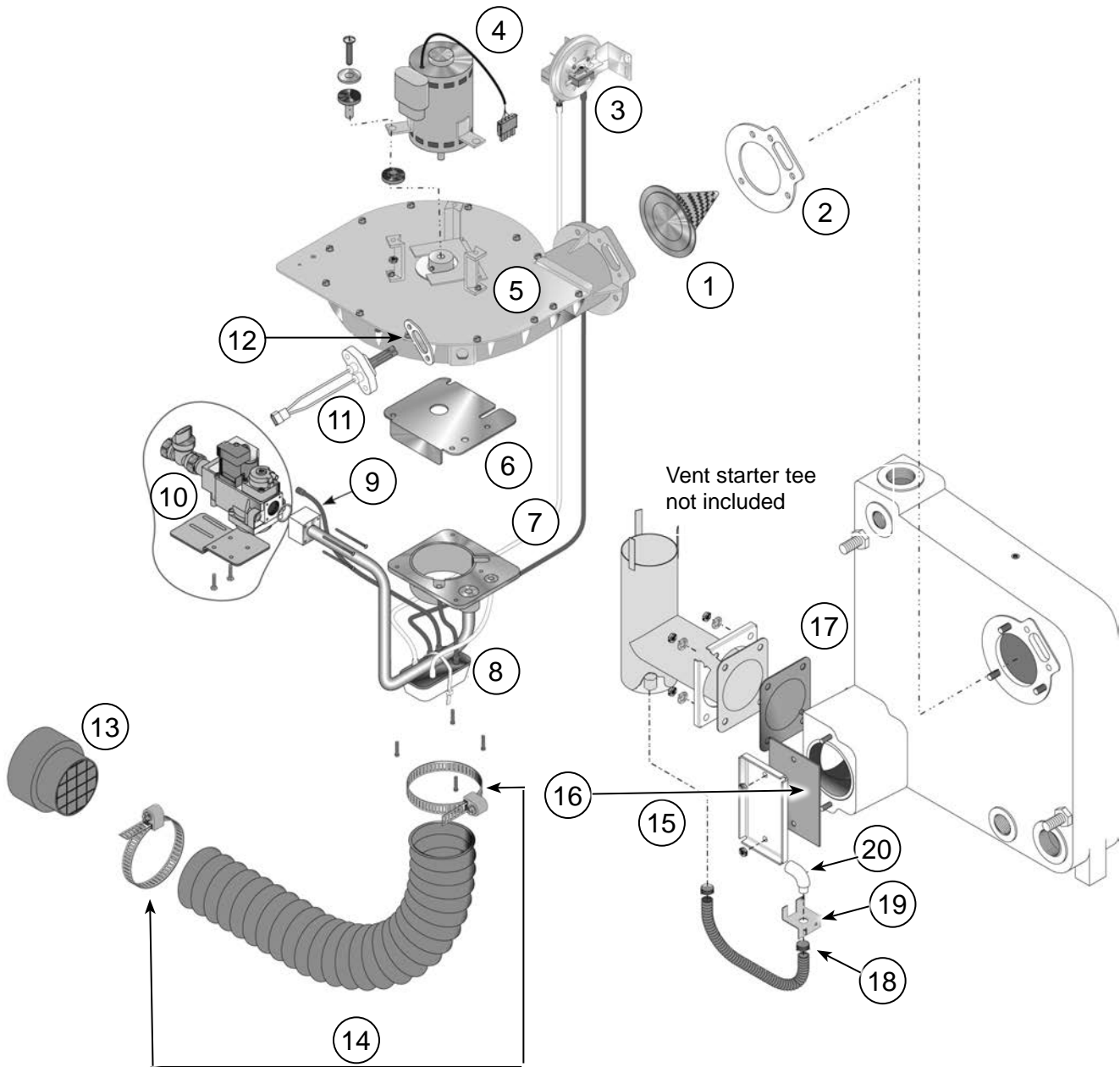
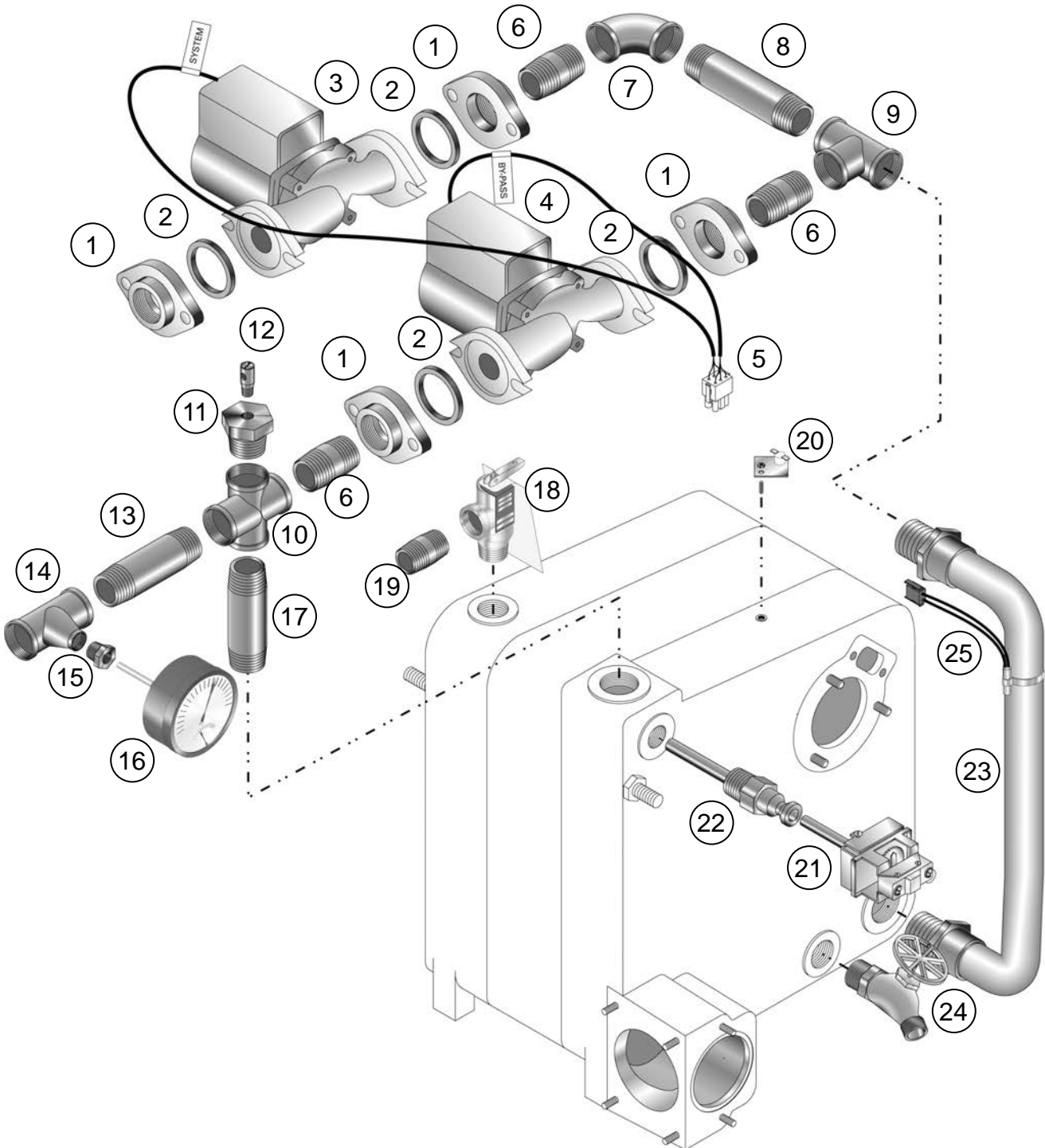


Fig. No.	Part No.	Description	Model
1	382-200-320	Burner Replacement Kit (Includes: Burner Cone And Ring Assembly, Blower Flange Gasket, Ignitor Washers, Ignitor Gasket)	GV-3
	382-200-325		GV-4
	382-200-330		GV-5
	382-200-335		GV-6
2	590-317-610	Blower Flange Gasket	
3	511-624-520	Air Pressure Switch (0-5500' Elevation) - 1.4" W. C.	
	382-200-317	Air Pressure Switch Kit – High Altitude (5500 – 10,000' Elevation) - 1.25" W.C.	

GV - Series 3 & 4 Blower Assembly Parts Continued

Fig. No.	Part No.	Description	Model
4	382-200-345	Blower Motor Replacement Kit (Includes: Blower Motor, Motor Mount, Grommets, Screws, Lock Nuts, Allen Wrench)	
5	382-200-340	Blower Housing Assembly Replacement Kit (Includes: Housing, Observation Port Window, Motor Mount Brackets, Lock Nuts, Grommets, Blower Motor (Fasco 716-2941), Blower Wheel, Magnetic Washer, Silicone Sealant, Screws, Blower Flange Gasket, Ignitor, Ignitor Screws, Ignitor Washers, Ignitor Gasket)	
6	510-811-600	Conversion Kit, Natural to Propane (Includes: Propane Orifice Plate, Label)	GV-3
	510-811-605		GV-4
	510-811-610		GV-5
	510-811-615		GV-6
	510-811-620	Conversion Kit, Propane to Natural (Includes: Orifice Plate)	GV-3
	510-811-625		GV-4
	510-811-630		GV-5
	510-811-635		GV-6
7	382-200-362	Gas/Air Manifold Assembly (Includes: Gas/Air Manifold, Gas Tubing, Washers, Screws and Gas Valve O-ring)-(Series-4)	
	382-200-355	Gas/Air Manifold Assembly, Left Hand Threaded Fitting For Gas Valve, and Mounting Bracket) with White-Rodgers or Robertshaw ONLY - (Series-3)	
8	382-200-409	Sense Line Condensate Kit (Condensate Trap, Hoses)	
9	590-317-647	Gas Valve Tubing To Gas/Air Manifold	
10	382-200-411	Gas Valve Replacement Kit (Includes: Gas Valve, Gas Cock, ½" Nipple, Mounting Bracket & Gas Valve O-ring)- (Series-4)	
	382-200-410	Gas Valve Replacement Kit, Left Hand Thread Adapter, Mounting Bracket, Rectifier) White-Rodgers or Robertshaw ONLY - (Series-3)	
11	511-330-148	Ignitor Replacement Kit (Includes: Ignitor, Gasket)	
12	590-317-599	Ignitor Gasket	
13	382-200-310	Inlet Air Fitting	
14	382-200-315	Kit, Inlet Air Hose and Two Clamps	
15	560-907-629	Inspection Port Cover	
16	590-317-628	Inspection Port Gasket	
17	590-317-629	Starter Tee Gasket	
18	382-200-385	Hose Trap Replacement Kit (Includes: Hose and 2 Clamps)	
19	452-100-112	Drain Bracket	
20	560-907-650	Drain Ell	
N/S	382-200-430	Vent/Air Intake Terminal Kit S.S. (Includes: Intake/Exhaust Cap, Mounting and Backing Plate, Exhaust Tube Spacer, Anchors, Screws and Washers)	
	382-200-406	Condensate Check Valve	
	592-900-036	Anderol 465 - 1.7 oz.Tube	

GV - Series 3 & 4 Water Trim



GV - Series 3 & 4 Water Trim Parts

Fig. No.	Part No.	Description
1	381-354-525	1" Universal Hardware Kit (Includes: Flange, Gasket, Screw, Nuts)
2	590-317-535	Universal Circulator Gasket
3, 4	511-405-113	System And Bypass Circulator (1/25 HP, 120/60/1 Motor, 1,750 RPM)
5	591-391-824	Wiring Harness, Dual Circulators To Control Module
6	Available Locally	Nipple, Black, 1" x Close
7		Elbow, Black, 1"
8		Nipple, Black, 1" x 4 1/2"
9		Tee, Black, 1"
10		Cross, Black
11		Bushing, Black, 1" x 1/8"
12	510-148-565	Coin Vent, 1/8" N.P.T.
13	Available Locally	Nipple, Black, 1" x 3"
14		Reducing Tee, Black, 1" x 1" x 1/2"
15		Bushing, Black, 1/2" x 3"
16	380-000-000	Combination Pressure-Temperature Gauge Kit, 60° - 360° F 0-75 PSI, 3/8" Dia, 1/4" N.P.T., Short Shank, With 1/4" x 1/2" Reducing Bushing (Series-4)
	510-218-099	Combination Pressure-Temperature Gauge, 2 1/2" Dial, 0-60 PSIG, 70-250°F, Short Shank, 1/4" N.P.T. (Series-3)
17	Available Locally	Nipple, Black, 1" x 4"
18	383-500-095	Pressure Relief Valve, 3/4" Male Inlet, 30 PSIG
19	Available Locally	Nipple, Black, 1/4" x 3"
20	382-200-375	Block Temperature Switch Kit (Includes: Block Switch (350° Open, 250° Close) and Mounting Bracket)
21, 22	510-312-021	High Limit Temperature Control, SPST, Automatic Recycle, 160-220°F 30°F Fixed Subtractive Differential, 1/2" N.P.T. Brass Control Well
23	560-742-938	Copper Return Bend, 1", Requires 2-1" N.P.T. x 1" Sweat Adapters Which Can Be Obtained Locally
24	511-246-392	Drain Valve, 1/4" x 1 1/2" Shank
25	511-330-089	Water Temperature Sensor and Clamp with 12" Leads
N/S	510-632-088	Fill-Trol Diaphragm Expansion Tank, (Tank only) With "O" Ring and Machine Thread Connection To Fill Valve
	510-632-089	
	511-210-434	Fill Valve Angle Style-90 With Built-in Strainer, Pressure Reducer, Check Valve Requires User Provided Shut-Off Valve
	382-200-420	Fill-Trol Package Tank Kit With Fittings
	382-200-425	

GV - Series 3 & 4 Control Parts

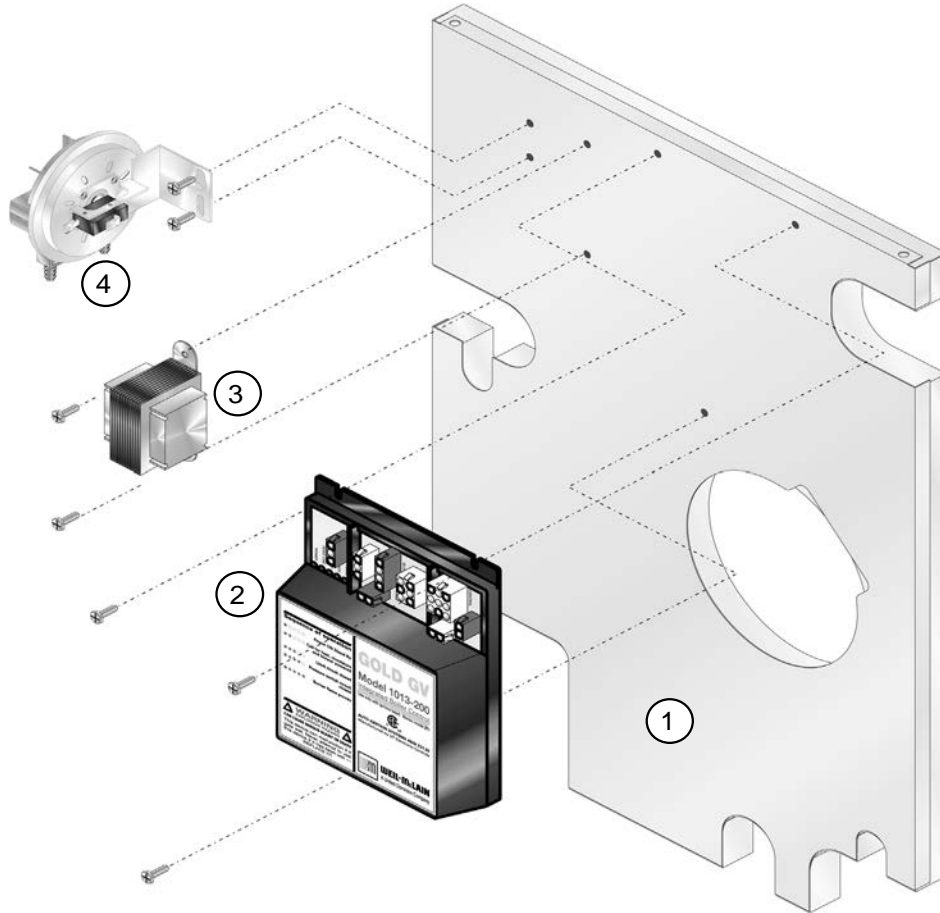
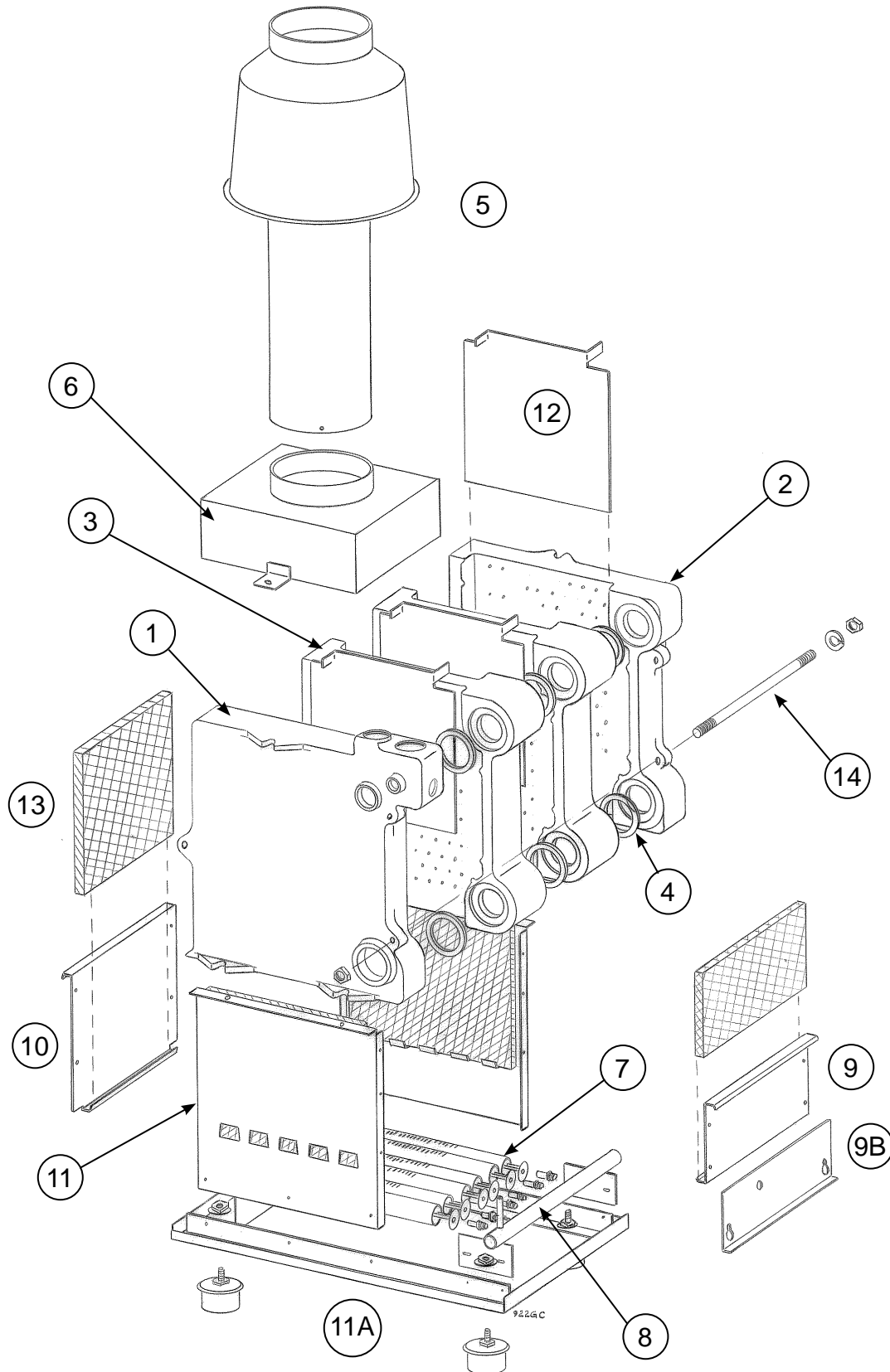


Fig. No.	Part No.	Description
1	422-200-137	Interior Control Panel Less Controls
2	382-200-448	Gold Module Conversion Kit (Includes: UT module 1013-200)
3	511-842-370	24 volt Step Down Transformer, 40 VA
4	511-624-520	Air Pressure Switch (0-5500' Elevation)
	382-200-317 511-624-521	Air Pressure Switch (5,500 - 10,000 Elevation) High Altitude
N/S	591-391-891	Wiring Harness, Control Module to Junction Box
	591-391-819	Wiring Harness, Control Module to Hot Surface Ignitor
	591-391-824	Wiring Harness, Control Module to System And By-Pass Circulators
	591-391-919	Wiring Harness 9 Pin Connector - Control Module To T-Stat, 19-21 VDC Gas Valve, Limit, Pressure, and Block Limit Switches. Used With Honeywell VK8115V-1176 Gas Valve Only, For Series 4
	591-391-820	Wiring Harness 9 Pin Connector - Control Module To T-Stat, 24 Volt Gas Valve, Limit, Pressure, and Block Limit Switches. Used With White Rodgers or Robertshaw Gas Valves Only, Series 3

CG/CGM - Series 1 Through 12 Section / Base Assembly



CG/CGM - Series 1 Through 12 Section / Base Assembly Parts

Fig. No.	Part No.	Description	Series No.
1	311-103-851	Left Hand End Section 51124	9-12
2	311-103-821	Right Hand End Section 51128	9-12
3	311-103-818	Intermediate Section 51125	9-12
N/S	321-114-286	Section Assembly: CGM, P-CG(m) 25,3	9-12
	321-114-287	Section Assembly: CGM, P-CG(m) 4	9-12
	321-114-288	Section Assembly: CGM, P-CG(m) 5	9-12
	321-114-289	Section Assembly: CGM, P-CG(m) 6	9-12
	321-114-290	Section Assembly: CGM, P-CG(m) 7	9-12
	321-114-291	Section Assembly: CGM, P-CG(m) 8	9-12
	381-354-527	Section Replacement Kit (One Per Joint)	9-12
4	592-800-011	Square Cut Seal 2"	8-12
N/S	591-602-913	Retort Cement – 1 Quart	All
	591-608-915	Retort Cement - Tube - 11oz	All
	591-638-850	Silicone Sealant – RTV 700, 10.3 oz. Tube	8-12
	591-706-214	Flue-Way Brush	All
	381-354-523	Well For Limit Control	9-12
5	450-021-240	Vertical Draft Hood CG(m)-25	9-12
	450-021-241	Vertical Draft Hood CG(m)-3	9-12
	450-021-242	Vertical Draft Hood CG(m)-4	9-12
	450-021-243	Vertical Draft Hood CG(m)-5	9-12
	450-021-244	Vertical Draft Hood CG(m)-6	9-12
	450-021-245	Vertical Draft Hood CG(m)-7	9-12
	450-021-246	Vertical Draft Hood CG(m)-8	9-12
6	381-354-625	Collector Hood Replacement Kit, CG 25	11-12
	381-354-626	Collector Hood Replacement Kit, CG 3	9-12
	381-354-627	Collector Hood Replacement Kit, CG 4	9-12
	381-354-628	Collector Hood Replacement Kit, CG 5	9-12
	381-354-629	Collector Hood Replacement Kit, CG 6	9-12
	381-354-630	Collector Hood Replacement Kit, CG 7	9-12
	381-354-631	Collector Hood Replacement Kit, CG 8	9-12
N/S	560-528-989	Natural Gas Orifice 46 Drill 7/16" Hex, 1/8" N.P.T.	5-8
	560-528-990	LP Gas Orifice 56 Drill 7/16" Hex, 1/8" N.P.T.	5-8
	560-528-997	Natural Gas Orifice 2.0mm Drill, 7/16" Hex, 1/8" N.P.T.	9-12
	560-528-998	LP Gas Orifice 1.3mm Drill, 7/16" Hex, 1/8" N.P.T.	9-12
7	512-200-078	Stainless Steel Burner With Pilot Bracket, See Note 1	5-8
	512-200-077	Stainless Steel Regular Burner, See Note 1	5-12
	512-200-078	Steel Pilot Burner With Pilot Bracket, L/P-Standing Pilot, and PI Versions Only, See Note 1	9-12
	512-200-079	Steel Regular Burner With Pilot Bracket, SPN Version Only, See Note 1	9-12

CG/CGM - Series 1 Through 12
Section / Base Assembly Parts Continued

Fig. No.	Part No.	Description	Series No.
N/S	450-003-742	Base Burner Rest CG(m)-25	8-12
	450-003-736	Base Burner Rest CG(m)-3	8-12
	450-003-737	Base Burner Rest CG(m)-4	8-12
	450-003-738	Base Burner Rest CG(m)-5	8-12
	450-003-739	Base Burner Rest CG(m)-6	8-12
	450-003-740	Base Burner Rest CG(m)-7	8-12
	450-003-741	Base Burner Rest CG(m)-8	8-12
8	591-126-615	Manifold CG(m)-25	7-12
	591-126-616	Manifold CG(m)-3	7-12
	591-126-617	Manifold CG(m)-4	7-12
	591-126-618	Manifold CG(m)-5	7-12
	591-126-619	Manifold CG(m)-6	7-12
	591-126-556	Manifold CG(m)-7	7-12
	591-126-557	Manifold CG(m)-9	7-12
9	460-003-777	Base Front Cross Tie CG(m)-25, 3	4-12
	460-003-778	Base Front Cross Tie CG(m)-4	4-12
	460-003-779	Base Front Cross Tie CG(m)-5	4-12
	460-003-780	Base Front Cross Tie CG(m)-6	4-12
	460-003-781	Base Front Cross Tie CG(m)-7	4-12
	460-003-782	Base Front Cross Tie CG(m)-8	4-12
9B	460-003-741	Base Access Panel CG(m)-25, 3	4-12
	460-003-742	Base Access Panel CG(m)-4	4-12
	460-003-743	Base Access Panel CG(m)-5	4-12
	460-003-744	Base Access Panel CG(m)-6	4-12
	460-003-745	Base Access Panel CG(m)-7	4-12
	460-003-746	Base Access Panel CG(m)-8	4-12
10	460-003-701	Base Back Cross Tie CG(m)-25, 3	4-12
	460-003-702	Base Back Cross Tie CG(m)-4	4-12
	460-003-703	Base Back Cross Tie CG(m)-5	4-12
	460-003-704	Base Back Cross Tie CG(m)-6	4-12
	460-003-705	Base Back Cross Tie CG(m)-7	4-12
	460-003-706	Base Back Cross Tie CG(m)-8	4-12
11	460-003-710	Base Side Panel	4-12
N/S	381-354-355	Base Replacement Carton CG9(m)-25	4-12
	381-354-356	Base Replacement Carton CG(m)-3	1-12
	381-354-357	Base Replacement Carton CG(m)-4	1-12
	381-354-358	Base Replacement Carton CG(m)-5	1-12
	381-354-359	Base Replacement Carton CG(m)-6	1-12
	381-354-360	Base Replacement Carton CG(m)-7	1-12
	381-354-361	Base Replacement Carton CG(m)-8	4-12
	450-030-971	Base Pan Angle - Universal Right or Left	8-12

CG/CGM - Series 1 Through 12 Section / Base Assembly Parts Continued

Fig. No.	Part No.	Description	Series No.
11A	450-003-730	Base Pan CG(m)-25, 3	8-12
	450-003-731	Base Pan CG(m)-4	8-12
	450-003-732	Base Pan CG(m)-5	8-12
	450-003-733	Base Pan CG(m)-6	8-12
	450-003-734	Base Pan CG(m)-7	8-12
	450-003-735	Base Pan CG(m)-8	8-12
12	460-003-700	Radiation Plate with Horizontal Bends (1 Per Joint)	7-12
13	381-354-518	Base Replacement Insulation Carton CG(m) 25-5	4-12
	381-354-519	Base Replacement Insulation Carton CG(m) 6-9	4-12
N/S	590-424-252	Base Leg Assembly 1½" Gray (4 Per Boiler)	8-12
14	560-234-500	7/16" X 9" Tie Rod Without Nut (3 Per Boiler) CG(m)-25, 3	8-12
	560-234-501	7/16" X 12" Tie Rod Without Nut (3 Per Boiler) CG(m)-4	8-12
	560-234-502	7/16" X 15" Tie Rod Without Nut (3 Per Boiler) CG(m)-5	8-12
	560-234-503	7/16" X 18" Tie Rod Without Nut (3 Per Boiler) CG(m)-6	8-12
	560-234-504	7/16" X 21" Tie Rod Without Nut (3 Per Boiler) CG(m)-7	8-12
	560-234-505	7/16" X 24" Tie Rod Without Nut (3 Per Boiler) CG(m)-8	8-12
N/S	562-248-684	7/16" Washer Medium Plain Split Lock	8-12
	592-002-030	Touch Up Paint- Blue/Gray -Low E 4.5oz Can	

Notes:

Order sufficient quantities to replace all orifices within a base.

Number of burners:

CG/CGm-25: 2 main burners and 1 burner with pilot bracket

CG/CGm-3: 3 main burners and 1 burner with pilot bracket

CG/CGm-4: 5 main burners and 1 burner with pilot bracket

CG/CGm-5: 7 main burners and 1 burner with pilot bracket

CG/CGm-6: 9 main burners and 1 burner with pilot bracket

CG/CGm-7: 11 main burners and 1 burner with pilot bracket

CG/CGm-8: 13 main burners and 1 burner with pilot bracket

CG/CGM - Series 9 & 10 Standing Pilot Parts

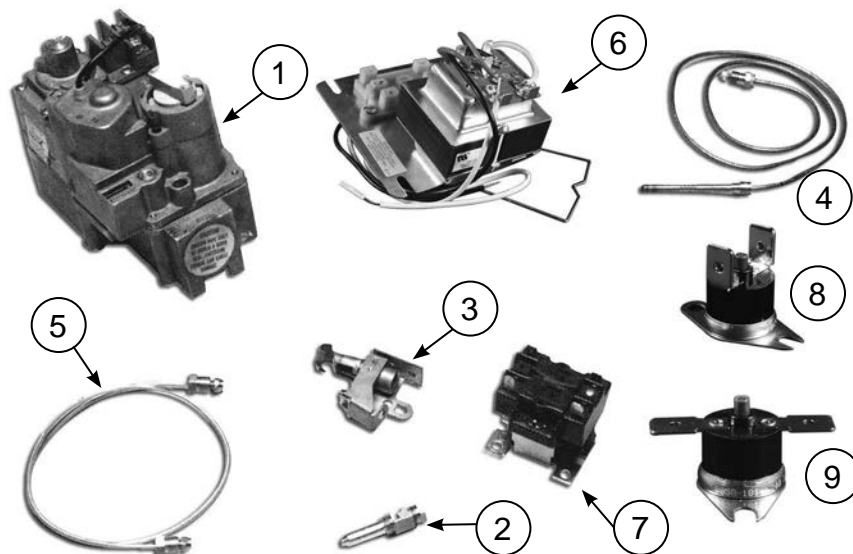


Fig. No.	Part No.	Description	Boiler Size
Components for Natural Gas			
1	511-044-360	Combination Gas Valve, 1/2" X 1/2" N.P.T., 24 Volt	25 – 6
	511-044-256	Combination Gas Valve (Step Opening (1.2 step) 3/4" X 3/4" N.P.T., 24 Volt)	7 – 8
2	560-528-980	Natural Gas Pilot Orifice, .018 Dia.	All
Components for Propane Gas			
N/S	NA	Combination Gas Control Valve, 1/2" x 1/2" N.P.T., 24 Volt, Propane Gas, Need Regulator Below	25 – 6
		Propane Regulator For VR800A-1152	25 – 6
	NA	Combination Gas Control Valve, 3/4" x 3/4" N.P.T., 24 Volt Propane Gas, Need Regulator Below, CG7 – CG8	7 – 8
		Propane Regulator For VR800C-1302	7 – 8
2	560-528-985	Propane Gas Pilot Orifice, .010 Dia.	All
Components for Natural and Propane Gas			
3	511-330-197	Safety Pilot Burner, Constant Burning, Thermally Supervised - Natural Gas Orifice Included - For L/P remove Natural Gas Orifice and Replace With L/P Gas Orifice.	All
4	511-724-253	Thermocouple, 48" Long	All
5	560-742-860	Pilot Tubing, 1/8" O.D. Alum. X 22 3/4" Long With Compression Fittings	All
6	510-312-166	Combination Transformer-Relay Receptacle, 120/24 Volt, 40VA	All
			All
			All
7	510-350-223	Plug-In Relay, DPST, 24 Volt Holding Coil	All
6,7	510-312-167	Combination Transformer and DPST Relay, 120/24 Volt, 40 VA	All
			All

CG/CGM - Series 9 & 10 Standing Pilot Parts

Fig. No.	Part No.	Description	Boiler Size
N/S	512-050-230	Rollout Thermal Fuse Element, 228°C	All
			All
8	510-300-013	Spill Switch With Reset, 210°C	CG(m) 25
9	510-300-014	Spill Switch With Reset, 240° C	CG(m) 3-8
Standing Pilot Conversion Kits			
These Kits Will Retrofit CG/CGM - Series 4 Thru 12			
N/S	510-811-363	Conversion Kit: Natural To Propane CGa 7-8 (Standing Pilot Only)	
	510-811-356	Conversion Kit: Propane To Natural CGa 25-6 (Standing Pilot Only)	
	510-811-357	Conversion Kit: Propane To Natural CGa 7-8 (Standing Pilot Only)	
	510-811-362	Conversion Kit: Natural To Propane CGa 25-6 (Standing Pilot Only)	

CG/CGM - Series 7 Through 10 Spark Ignition Parts

Part No.	Description	Boiler Size
Spark Ignition Parts Cannot Be Used With Propane Gas		
510-811-458	Conversion Kit (Includes: ½" Gas Valve, Pilot Assembly with Sparker and Sensor. United Technology Control Module, Wiring and Instructions)	25-6
510-811-459	Conversion Kit (Includes: ¾" Gas Valve, Pilot Assembly with Sparker and Sensor. United Technology Control Module, Wiring and Instructions)	7-8
Johnson G60 Pilot Assembly Repair Parts		
511-330-163	Pilot Assembly, Natural Gas, Includes Sparker and Sensor and Wires	All
511-724-264	Flame Sensor For Above Pilot Assembly	All
511-724-270	Sensor Wire For Above Pilot Assembly	All
Common Control Parts for Series 7 - 10		
510-312-250	High Limit Temperature Control, Auto Recycle, 140-240° F, 30° Fixed Subtractive Differential, With ½" N.P.T Well	All
510-312-166	Combination Transformer-Relay Receptacle, 120/24 Volt, 40VA	All
510-350-223	Plug-In Relay, DPST, 24 Volt Holding Coil	All
510-312-167	Combination Transformer and DPST Relay, 120/24 Volt, 40 VA	All
512-050-230	Rollout Thermal Fuse Element, 228° C	All
510-300-013	Spill Switch with Reset, 210° F	CG(m) 25
510-300-014	Spill Switch with Reset, 240° F	CG(m) 3-8

CG/CGM- Series 10 Millivolt Parts

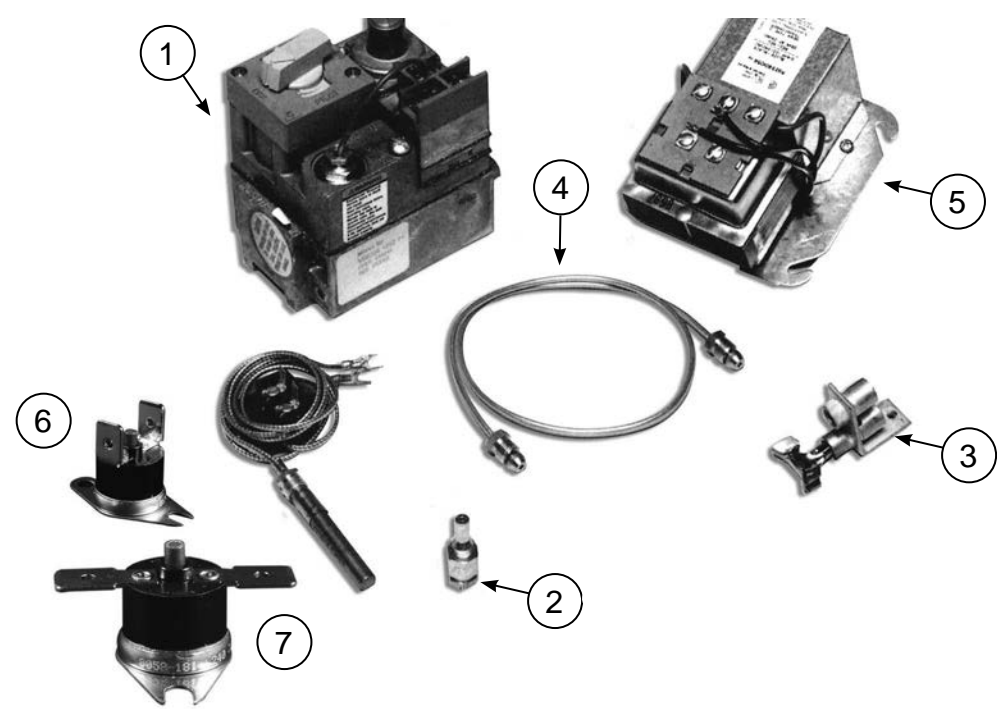


Fig. No.	Part No.	Description	Boiler Size
Components for Natural Gas			
1	N/A	Combination Gas Valve, 1/2" X 1/2" N.P.T., Milli-Volt	25 – 6
2	560-528-950	Natural Gas Pilot Orifice, .026 Dia.	All
Components for Propane Gas			
1	NA	Combination Gas Control Valve, 1/2" x 1/2" N.P.T., 24 Volt, Propane Gas, Need Regulator Below	25 – 6
	NA	Combination Gas Control Valve (3/4" x 3/4" N.P.T., Milli-Volt, Step Opening With 3.0 Step, Need Propane Regulator Below)	7 – 8
	NA	Propane Regulator	7-8l
Components for Natural and Propane Gas			
3	511-330-186	Safety Pilot Burner, Constant Burning, Thermally Supervised	All
4	560-742-860	Pilot Tubing, 1/8" O.D. Alum. X 22 3/4" Long With Compression Fittings	All
5	510-312-167	Combination Transformer and DPST Relay, 120/24 Volt, 40 VA	All
N/S	512-050-230	Rollout Thermal Fuse Element, 228°C	All
			All
6	510-300-013	Spill Switch with Reset, 210°C	25
7	510-300-014	Spill Switch with Reset, 240°C	3-8

CG/CGM - Series 10 Water Trim Parts



Fig. No.	Part No.	Description
1	510-312-250	High Limit Temperature Control, Auto Recycle, 140-240°F Fixed Subtractive Differential With ½" N.P.T. Well
2	383-500-095	ASME Pressure Relief Valve, Set To Relieve At 30 PSIG, ¾" N.P.T. Male Inlet
3	380-000-000	Combination Pressure-Temperature Gauge, 3" Dia., 0-75 PSIG, 60-320°F, Short Shank, Back Connection, ¼" N.P.T.
4	511-210-423	Drain Valve, ¾" N.P.T., 1½" Shank, Brass
5	511-405-113	Circulator, 1/25 HP, 120/60/1 Motor, 1,750 R.P.M., .75 Amps
	511-405-115	Circulator, 1/12 HP, 120/60/1 Motor, 1,750 R.P.M.
6	590-317-543	Circulator Gasket for Taco 007, (Two Required Per Circulator)
	590-317-542	Circulator Gasket for B & G 100, (Two Required Per Circulator)
7	381-354-530	Circulator Hardware Kit (Includes: 1 Flange, 2 Bolts, 2 Nuts, Diamond Gasket, ¾" N.P.T.)
	381-354-525	Circulator Hardware Kit (Includes: 1 Flange, 2 Bolts, 2 Nuts, Diamond Gasket, 1" N.P.T.)
	381-354-526	Circulator Hardware Kit (Includes: 1 Flange, 2 Bolts, 2 Nuts, Diamond Gasket, 1¼" N.P.T.)
	381-354-531	Circulator Hardware Kit (Includes: 1 Flange, 2 Bolts, 2 Nuts, Diamond Gasket, 1½" N.P.T.)
8	510-632-088	Fill-Trol Diaphragm Expansion Tank with O-ring and Machine Thread Connector to Fill Valve, Tank Only
	510-632-089	Fill-Trol Diaphragm Expansion Tank with O-ring and Machine Thread Connector to Fill Valve, Tank Only
N/S	511-210-434	Fill Valve Angle Style-90 with Built-in Strainer, Pressure Reducer, Check Valve Requires User Provided Shut-Off Valve

CG/CGM - Series 11 & 12 Spark Ignition Parts

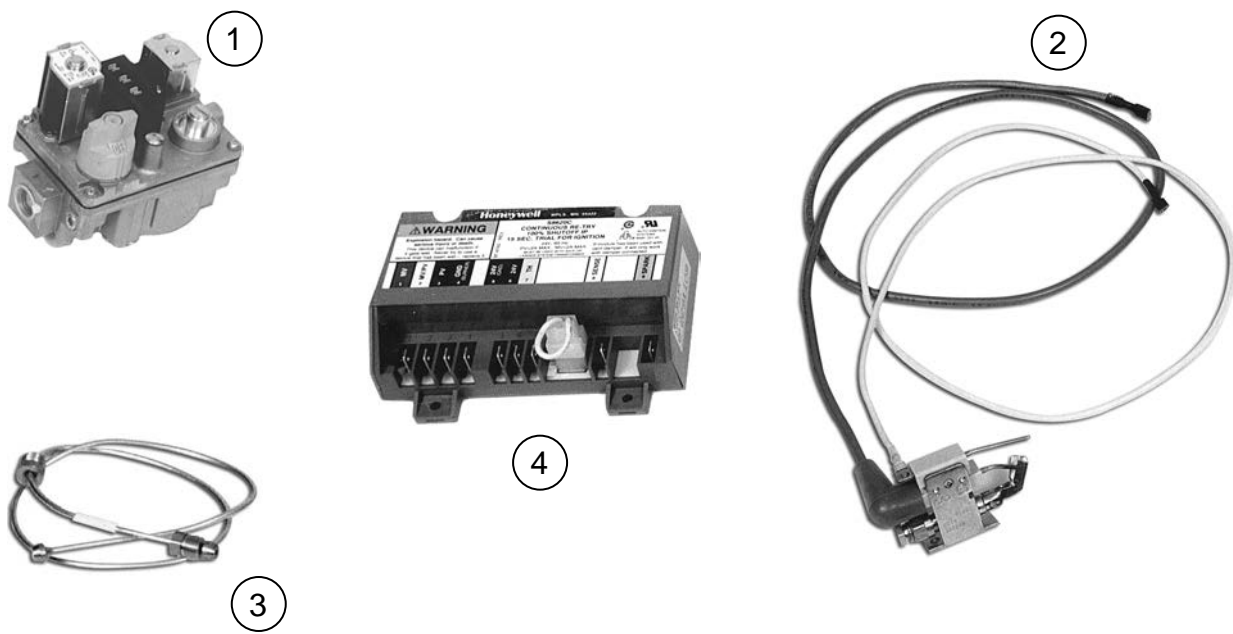


Fig. No.	Part No.	Description
Spark Ignition Cannot Be Used With Propane Gas		
1	511-044-381	Combination Gas Valve, 1/2" x 1/2" N.P.T., 24 Volt CG-25 to CG-6
	511-044-382	Combination Gas Valve (Step Opening (1.2" WC Step) 3/4" x 3/4" N.P.T., 24 Volt, CG-7,8)
2	511-330-218	Pilot Assembly Kit (includes: Orifice, Aluminum Pilot Gas Tubing, Spark Wire and Sense Wire)
3	560-742-860	Pilot tubing, 1/8" O.D. x 22 3/4", With Fittings
4	511-330-097	Ignition Sensing Control Module Without Damper Molex, 24 Volt, Series-12 Only
N/S	591-391-863	Wiring Harness, PIDN, Series-12 Only
4	511-330-095	Ignition Sensing Control Module With Damper Molex, 24 volt, Series-11 Only
Series 6 Thru 10 Boilers		
White-Rodgers Cycle Pilot Ignition Systems and Johnson Control Ignition Systems are obsolete and replaced by the following conversion kits:		
N/S	510-811-458	Spark Pilot Conversion Kit (Includes: UT Control Module, 1/2" Gas Valve, Pilot Assembly, Wiring and Instructions) Natural Gas Only CG 25-6
	510-811-459	Spark Pilot Conversion Kit (Includes: UT Control Module, 3/4" Gas Valve, Pilot Assembly, Wiring and Instructions) Natural Gas Only CG 7-8

Note: There is no Wiring Harness for series 11 boilers. Boiler had individual wires.

CG/CGM - Series 11 & 12 Water / Electrical



CG/CGM - Series 11 & 12 Water / Electrical Parts

Fig. No.	Part No.	Description
1	510-312-250	High Limit Temperature Control, Auto Recycle, 140-240°F Fixed Subtractive Differential With ½" N.P.T. Well
2	383-500-095	ASME Pressure Relief Valve, Set To Relieve at 30 PSIG, ¾" N.P.T. Male inlet
3	380-000-000	Combination Pressure-Temperature Gauge, 3" Dia., 0-75 PSIG, 60-320°F, Short Shank, Back Connection, ¼" N.P.T.
4	511-210-423	Drain Valve, ¾" N.P.T., 1½" Shank, Brass
5	511-405-113	Circulator, 1/25 HP, 120/60/1 Motor, 1,750 R.P.M., .75 Amps
	511-405-115	Circulator, 1/12 HP, 120/60/1 Motor, 1,750 R.P.M.
6	590-317-543	Circulator Gasket for Taco 007, (Two Required Per Circulator)
	590-317-542	Circulator Gasket for B & G 100, (Two Required Per Circulator)
6,7	381-354-530	Circulator Hardware Kit (Includes: 1 Flange, 2 Bolts, 2 Nuts, Diamond Gasket, ¾" N.P.T.)
	381-354-525	Circulator Hardware Kit (Includes: 1 Flange, 2 Bolts, 2 Nuts, Diamond Gasket, 1" N.P.T.)
	381-354-526	Circulator Hardware Kit (Includes: 1 flange, 2 bolts, 2 nuts, Diamond gasket, 1¼" N.P.T.)
	381-354-531	Circulator Hardware Kit (Includes: 1 Flange, 2 Bolts, 2 Nuts, Diamond Gasket, 1½" N.P.T.)
8	591-391-795	Damper Wiring Harness with Molex
N/S	510-512-337	Vent Damper Motor Operator with Molex
9	381-800-474	Vent Damper Assembly, 4", CG-25, 3
	381-800-475	Vent Damper Assembly, 5", CG-4
	381-800-476	Vent Damper Assembly, 6", CG-5, 6
	381-800-477	Vent Damper Assembly, 7", CG-7, 8
10	510-312-166	Combination Transformer and Relay Receptacle (Relay Ordered Separately) 120/24 Volt, 40VA
11	510-350-223	Plug-In Relay, DPST, with 24 Volt Holding Coil
10,11	510-312-167	Combination Transformer and DPST Relay, 120/24 Volt, 40 VA
12	512-050-230	Rollout Thermal Fuse, 228°C
13	510-300-013	Spill Switch with Manual Reset, 210°F CG-25 Only
	510-300-014	Spill Switch with Manual Reset, 240°F CG-3 Thru 8

CG/CGM - Series 11 & 12
Water / Electrical Parts Continued

Fig. No.	Part No.	Description
14	510-632-088	Fill-Trol Diaphragm Expansion Tank with O-ring and Machine Thread Connector to Fill Valve, Tank Only
	510-632-089	Fill-Trol Diaphragm Expansion Tank with O-ring and Machine Thread Connector to Fill Valve, Tank Only
N/S	511-210-434	Fill Valve Angle Style-90 with Built-in Strainer, Pressure Reducer, Check Valve Requires User Provided Shut-Off Valve

CG/CGM - Series 11 & 12 Standing Pilot Parts



Fig. No.	Part No.	Description	Boiler Size
Components for Natural Gas			
1	511-044-360	Combination Gas Valve, 1/2" X 1/2" N.P.T., 24 Volt	25 – 6
	511-044-256	Combination Gas Valve (Step Opening (1.2 Step) 3/4" X 3/4" N.P.T., 24 Volt)	7 – 8
	510-811-644	Natural Gas Pilot Replacement Kit (Includes: Main Burner with Pilot Bracket, Pilot Burner, Thermocouple)	All
	511-724-254	Thermo-couple 30", Screw In (Natural Gas)	
Components for Propane Gas			
1	381-356-534	Combination Gas Valve, 1/2" x 1/2" N.P.T., 24 Volt	25 – 6 25 – 6
	511-044-257	Combination Gas Control Valve, 3/4" x 3/4" N.P.T., 24 Volt	7 – 8
	510-811-646	LP Gas Pilot Replacement Kit (Includes: Main Burner with Pilot Bracket, Pilot Burner, Thermocouple)	E38A2
	511-724-253	Thermo-couple 48", Push In (Propane Gas)	
Components for Natural and Propane Gas			
N/S	591-391-862	Wiring Harness (Series-12 Only)	
	560-742-860	Pilot Tubing, 1/8" O.D. Alum. X 22 3/4" Long With Compression Fittings	All
	510-811-648	Pilot Regulator Kit (Includes: Maxitrol RV-12 Regulator, Tubing and Fittings)	25-3
2	591-391-780	Wiring Harness for Standing Pilot Damper-(Series 12 Only)	

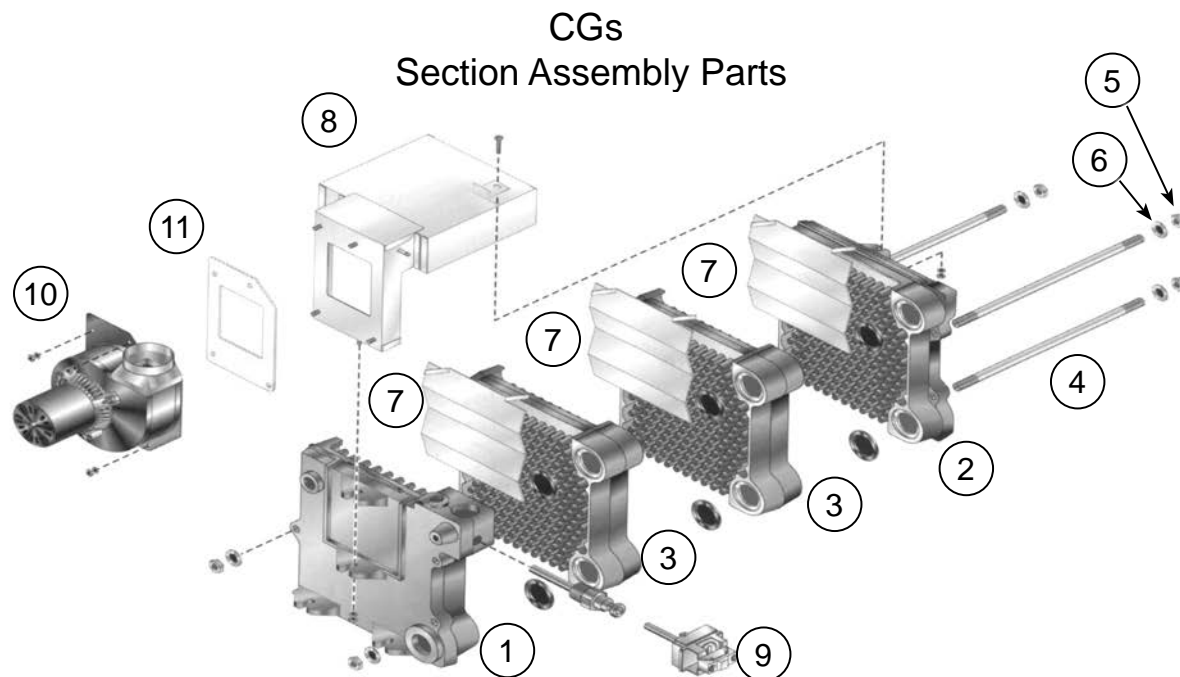


Fig. No.	Part No.	Description	Boiler Size
1	311-103-850	End Section, Left Hand, Cast #51124	All
2	311-103-821	End Section, Right Hand, Cast #51128	All
3	311-103-818	Intermediate Section, Cast #51128	All
N/S	321-114-286	Replacement Section Assembly	3
	321-114-287		4
	321-114-288		5
	321-114-289		6
		381-354-527	Section Replacement Kit (Includes: Seals and Sealant For (1) Joint)
4	560-234-500	Tie Rod, 7/16" X 9" Without Nut (3 Per Boiler)	3
	560-234-501	Tie Rod, 7/16" X 12" Without Nut (3 Per Boiler)	4
	560-234-502	Tie Rod, 7/16" X 15" Without Nut (3 Per Boiler)	5
	560-234-503	Tie Rod, 7/16" X 18" Without Nut (3 Per Boiler)	6
5	561-928-235	Nut, 7/16" (2 Per Tie Rod)	All
6	562-248-684	Washer, Lock 7/16" (1 Per Tie Rod)	All
7	460-003-700	Radiation Plate (1 Per Joint)	All
8	381-354-590	Collector Hood And Transition Assembly	3
	381-354-591		4/4E
	381-354-592		5
	381-354-593		6
9	510-312-250	High Limit 30° Subtractive Differential With Well	All
10	381-356-499	Inducer Fan Assembly Kit (Includes: Inducer, Fan Assembly, Gasket And Nuts)	All
11	590-317-627	Gasket, Inducer Terminator	All
N/S	382-200-430	Vent/Air-Intake Kit (Includes: Intake/Exhaust Cap, Coupling, Mounting & Backing Plate And Hardware)	All

CGs Base Assembly Parts

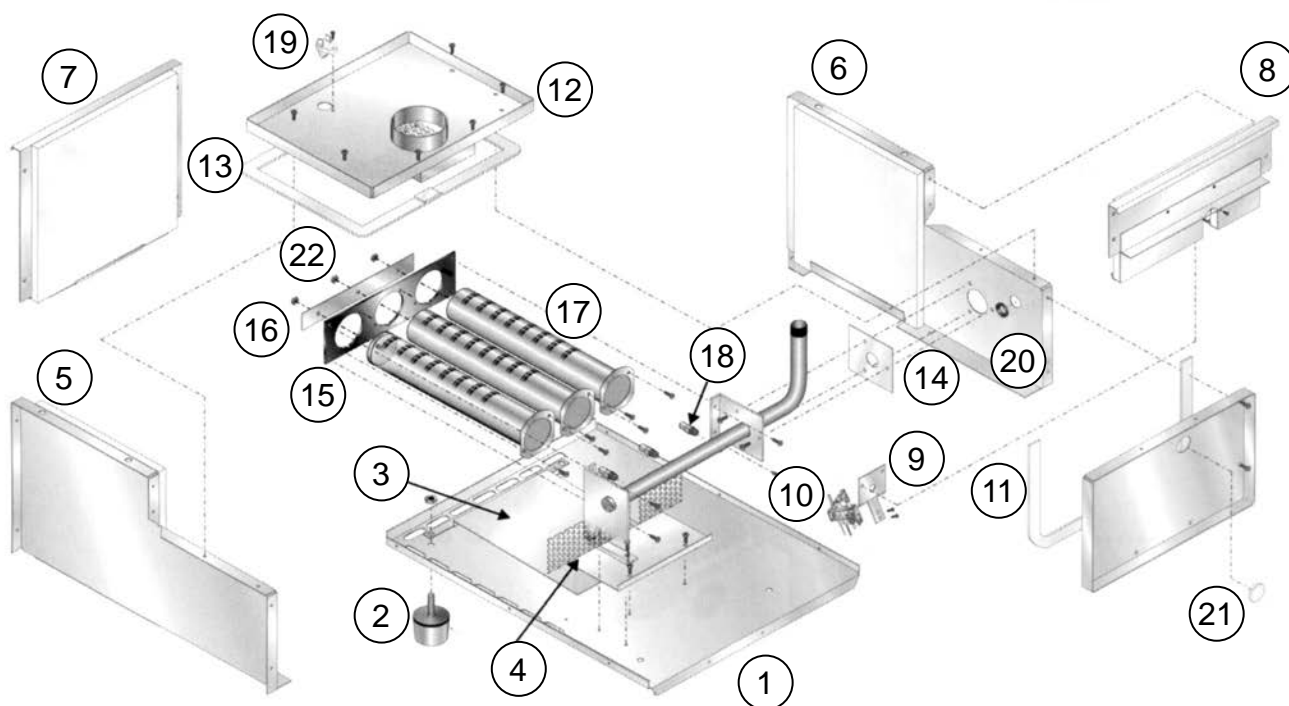


Fig. No.	Part No.	Description	Boiler Size
N/S	381-356-515	Base Insulation Kit (Includes: Insulation For All Base Parts Plus Gasket Material Needed Between Block Assembly and Base)	3
	381-356-516		4
	381-356-517		5
	381-356-518		6
	381-356-523	Base Assembly Kit (Includes: 1, 2, 3, 4, 5, 6, 7, 8, 11, 13 plus Insulation Air Box and Hard Wires)	4
	381-356-524		5
	381-356-525		6
	381-356-502	Inlet Air Box Top Panel Kit (Includes: Inlet Air Box Top Panel and Inlet Air Box Top Panel Gasket)	4
	381-356-504		6
	381-356-508	Inlet Air Box Front Panel Kit (Includes: Inlet Air Box Front Panel and Inlet Air Box Front Panel Gasket)	3
			4
	381-356-511		6
1	N/A	Base Pan (in Base Assembly)	All
2	550-320-219	Boiler Leg Kit	All
3	N/A	Heat Shield (in Base Assembly)	All
4	N/A	Burner Baffle (in Base Assembly)	All
Fig. No.	Part No.	Description	Boiler Size
5	N/A	Base Left Side Panel (in Base Assembly)	All
6	N/A	Base Right Side Panel (in Base Assembly)	All

CGs Base Assembly Parts Continued

7	N/A	Base Back Panel (in Base Assembly)	All
8	N/A	Base Front Cross-Tie Assembly	All
9	450-003-689	Pilot Bracket	All
10	511-330-080	Pilot Burner Assembly – Natural Gas (Pilot Bracket Sold Separate)	All
	511-330-081	Pilot Burner Assembly - LP Gas (Pilot Bracket Sold Separate)	All
N/S	N/A	Inlet Air Box Front Panel (In Inlet Air Box Front Panel Kit)	All
11	N/A	Inlet Air Box Front Panel Gasket (Use Air Inlet Box Gasket)	All
12	N/A	Inlet Air Box Top Panel (In Inlet Air Box Top Panel Kit)	All
13	N/A	Inlet Air Box Top Panel Gasket (Use Air Inlet Box Gasket)	All
N/S	590-317-399	Air Inlet Box Gasket (8' Long, Must Be Cut To Length)	All
	591-126-722	Manifold	3
	591-126-723		4
	591-126-724		5
	591-126-725		6
14	590-317-406	Manifold Mounting Gasket	All
15	450-003-690	Burner Mounting Panel	3
	450-003-691		4
	450-003-692		5
	450-003-693		6
16	550-320-160	Rear Spacer Strip	3
	550-320-161		4
	550-320-162		5
	550-320-163		6
17	512-200-076	Burner	All
18	560-529-077	Burner Orifice – Natural Gas, Sea Level 2.7mm	2-6
	560-529-078	Burner Orifice – LP Gas, Sea Level 1.65mm	2-6
	560-529-126	Burner Orifice - Natural Gas, Sea Level 2.55mm	4E
	560-529-111	Burner Orifice - LP Gas, Sea Level 1.60mm	4E
19	512-050-230	Thermal Fuse Element, 229°C	All
20	591-850-064	Grommet (For Sealing Pilot Tubing/Wiring Opening To Combustion Air Box)	All
21	591-491-216	Inspection Port Clear Plug	All
22	Purchase Locally	HEX Nut For Burner End Stud (5mm)	

Number of burners:**CGs-3: 2 burners****CGs-4: 3 burners****CGs-5: 4 burners****CGs-6: 5 burners**

CGs Water Trim Parts

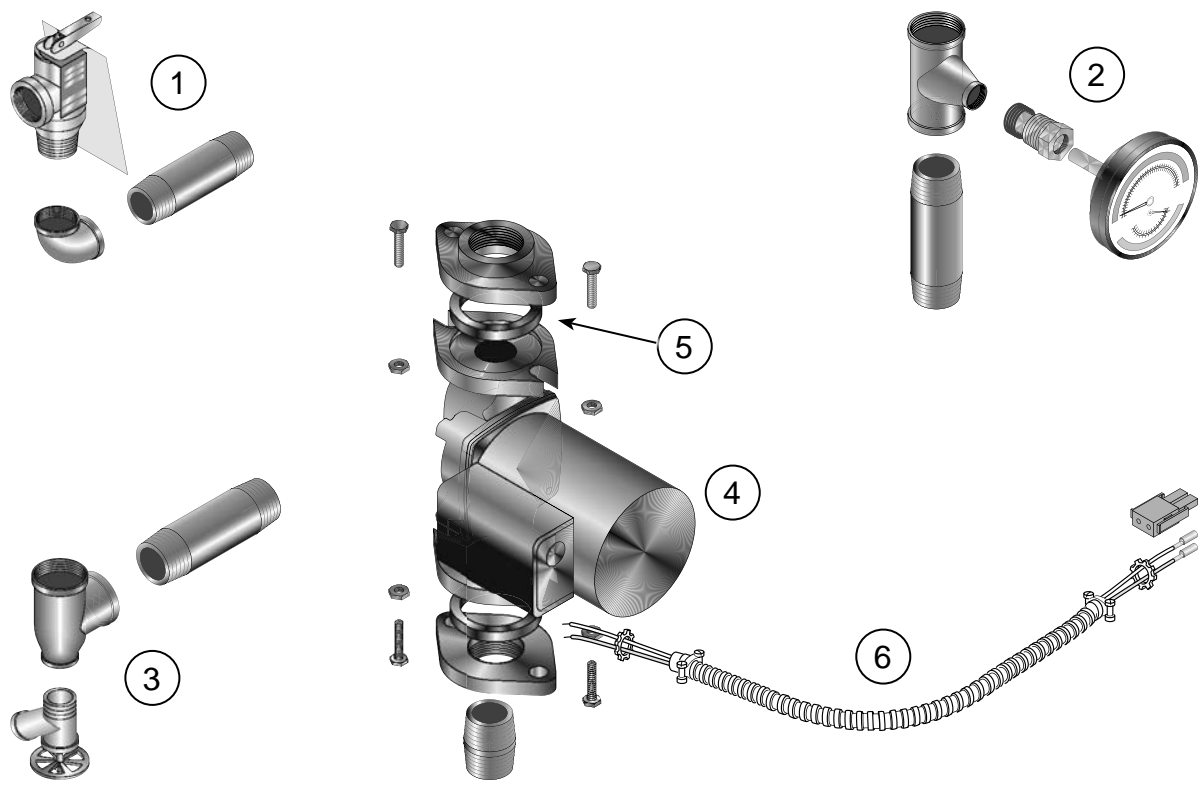


Fig. No.	Part No.	Description	Boiler Size
1	383-500-095	Pressure Relief Valve, ASME, 30 PSIG, 3/4" Male Inlet*	All
2	380-000-000	Combination Pressure-Temperature Gauge Kit, 60°-360°F 0-75 PSI, 3 1/8" Dia., 1/4" N.P.T., Short Shank With 1/4" x 1/2" Reducing Bushing	All
3	511-210-423	Drain Valve 3/4"	All
	511-246-392	Drain Valve 3/4"	All
4	511-405-113	Circulator*	All
5	590-317-535	Circulator Gasket, Universal (2 Per Boiler)	All
N/S	381-354-525	Circulator Hardware Kit (Includes: (1) Flange, (1) Gasket, (2) Nuts, (2) Screws) 1" N.P.T.)	3, 4, 5
	381-354-526	Circulator Hardware Kit (Includes: (1) Flange, (1) Gasket, (2) Nuts, (2) Screws) 1 1/4" N.P.T.)	6
6	381-356-528	Circulator Wiring Harness Kit with Molex (Loose)	All

* Pipe fittings available locally

CGs Gas Control Parts

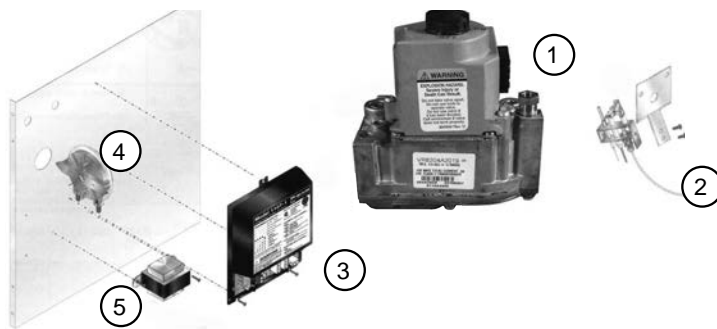


Fig. No.	Part No.	Description	Boiler Size
Natural Gas Components			
1	381-356-532	Gas Valve, ½" x ½" with Hose Barb (Replacement Kit)	3, 4, 5, 6
	511-044-507	Natural Gas Valve, ½" Two Stage	4E
2	511-330-080	Pilot Assembly Kit with Orifice and Aluminum Pilot Gas Tubing (Pilot Bracket Sold Separate)	All
Propane Gas Components			
1	381-356-533	Gas Valve, ½" x ½" with Hose Barb (Replacement Kit)	3, 4, 5, 6
	511-044-509	LP Gas Valve, ½" Two Stage	4E
2	511-330-081	Pilot Assembly Kit with Orifice and Aluminum Pilot Gas Tubing (Pilot Bracket Sold Separate)	All
Natural Gas and Propane Components			
N/S	450-003-689	Pilot Bracket	
3	511-330-090	Control Module With 10 Second Pre-Purge	All
	591-391-894	Wiring Harness Control	3-6
	591-391-900	Wiring Harness Junction Box To Control Module	All
N/S	591-391-951	Wiring Harness Controls	4E
	591-391-954	Timer Harness	4E
	510-350-468	Delay Timer - 24 Volt, 90 Second, Delay On Make	4E
4	511-624-401	Air Pressure Switch 0' to 1999', 1.79" W.C.	3
	511-624-402	Air Pressure Switch 0' to 1999', 1.48" W.C.	4
	511-624-403	Air Pressure Switch 0' to 1999', 1.22" W.C.	5
	511-624-404	Air Pressure Switch 0' to 1999', .95" W.C.	6
	511-624-656	Air Pressure Switch 1.71" W.C.	4E
5	511-842-370	24 volt Step Down Transformer, 40 VA	All
N/S	590-317-650	Air Pressure Switch Tubing, Red, .12 ID Silicone, 17"	All
	590-317-651	Air Pressure Switch Tubing, White, .12 ID Silicone, 19"	All
	510-811-096	Natural to LP Conversion Kit	3, 4, 5, 6
	510-811-125		4E
	510-811-097	LP to Natural Conversion Kit	3, 4, 5, 6
	510-811-099		4E

CGs Jacket Assembly Parts

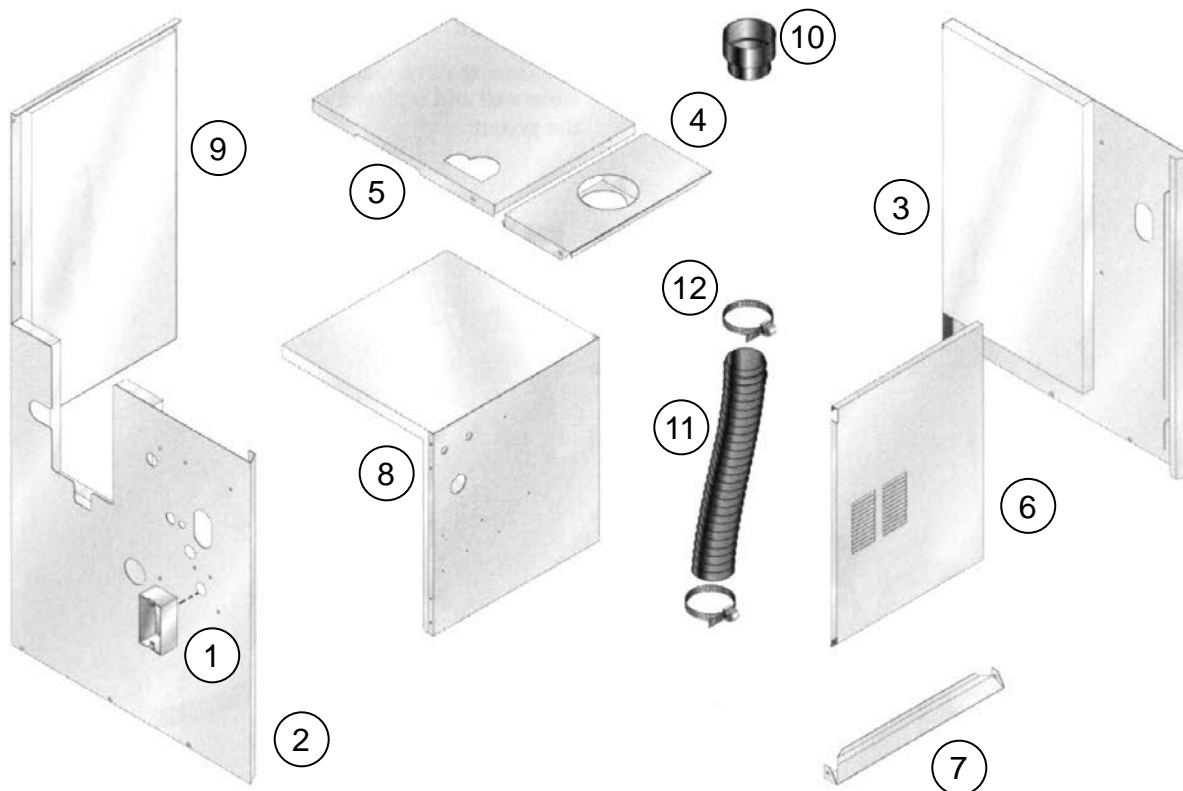
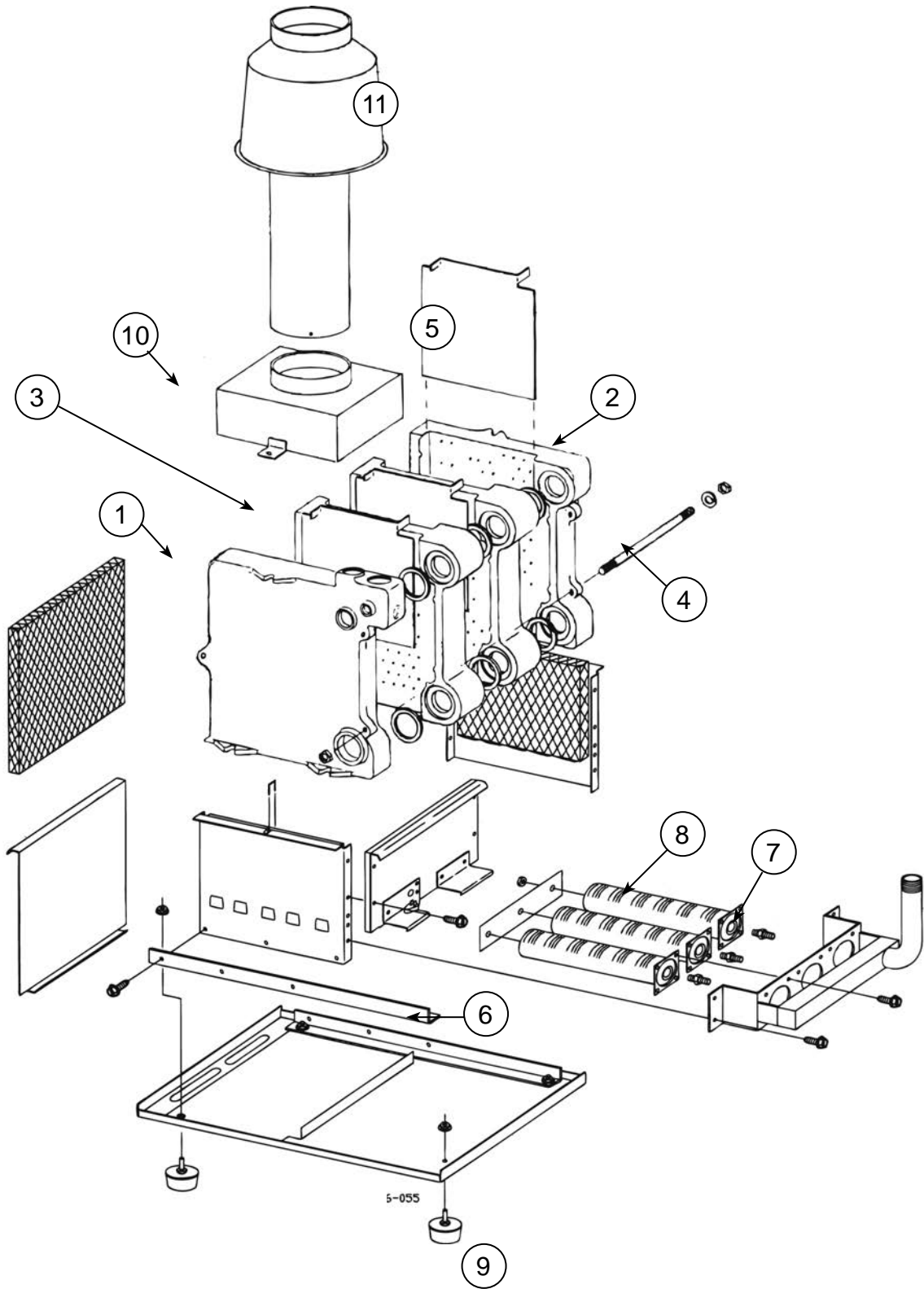


Fig. No.	Part No.	Description	Boiler Model
1	Available Locally	Junction Box, 2 x 4	CGs-3
			CGs-4
			CGs-5
			CGs-6
2	381-355-701	Panel, Left Side, With Insulation (Natural Gas)	CGs-3
	381-355-708		CGs-4
	381-355-815		CGs-5
	381-355-722		CGs-6
	381-355-794		4E
	381-355-735	Panel, Left Side, With Insulation (Propane Gas)	CGs-5
	381-355-738		CGs-6
3	381-355-760	Panel, Right Side, With Insulation	CGs-3
	381-355-793		CGs-4
	381-355-793	Panel, Right Side, With Insulation	CGs-5
			CGs-6

CGs Jacket Assembly Parts Continued

4	431-223-345	Panel Top Front Jacket Size-3	13.33 x 6.22 x 1.41	CGs-3
	431-223-346	Panel Top Front Jacket Size-4	16.33 x 6.22 x 1.41	CGs-4
	431-223-347	Panel Top Front Jacket Size-5	19.33 x 6.22 x 1.41	CGs-5
	431-223-348	Panel Top Front Jacket Size-6	22.33 x 6.22 x 1.41	CGs-6
5	381-355-706	Panel, Top Rear, With Insulation		CGs-3
	381-355-713			CGs-4
	381-355-720			CGs-5
	381-355-727			CGs-6
6	381-355-707	Panel, Door		CGs-3
	381-355-714			CGs-4
	381-355-721			CGs-5
	381-355-728			CGs-6
	381-355-795			4E
7	431-233-325	Cross Tie, Bottom Front		CGs-3
	431-223-326			CGs-4
	431-223-327			CGs-5
	431-223-328			CGs-6
8	381-355-415	Panel, Interior, With Insulation		CGs-3
	381-355-422			CGs-4
	381-355-429			CGs-5
	381-355-436			CGs-6
9	431-223-301	Panel, Rear, With Insulation		CGs-3
	431-223-302			CGs-4
	431-223-303			CGs-5
	431-223-304			CGs-6
10	382-200-310	Air Inlet Fitting		All
11	562-302-573	Inlet Air Hose		All
12	591-850-068	Hose Clamp 3"		All
N/S	592-002-029	Touch-Up Paint - Gold - Low E	4.5oz Can	All

CGx - Series 1 & 2 Section / Base Assembly



CGx - Series 1 & 2 Section / Base Assembly Parts

Fig. No.	Part No.	Description	Model
1	311-103-851	Left Hand End Section, 51124	
2	311-103-821	Right Hand End Section, 51128	
3	311-103-818	Intermediate Section, 51125	
N/S	321-114-286	Replacement Section Assembly	CGx-3
	321-114-287		CGx-4
	321-114-288		CGx-5
	321-114-289		CGx-6
	381-354-527	Section Replacement Kit (Includes: Seals and Sealant For One Joint)	
4	560-234-500	7/16" Tie Rod Without Nut (3 Per Boiler)	CGx-3
	560-234-501		CGx-4
	560-234-502		CGx-5
	560-234-503		CGx-6
N/S	562-248-684	Washer Lock Helical Spring Regular 7/16 Zinc Plated	
5	460-003-700	Radiation Plate with Horizontal Bends, 1 Per Joint	
6	450-030-971	Base Pan Angle, Universal Fits Right Or Left	
7	560-529-058	Main Burner Orifice (35 Drill)	
8	550-320-152	Burner	
9	550-320-219	Boiler Leg Kit	
10	450-020-487	Collector Hood	CGx-3
	450-020-488		CGx-4
	450-020-489		CGx-5
	450-020-490		CGx-6
11	450-021-241	Vertical Draft Hood	CGx-3
	450-021-242		CGx-4
	450-021-243		CGx-5
	450-021-244		CGx-6
N/S	591-602-913	Retort Cement (One Quart)	
	592-002-030	Touch Up Paint - Blue/Gray - Low E 4.5oz Can	

Note: Parts not listed above are obsolete. No Replacement.

Number of burners:

CGx-3: 2 burners

CGx-4: 3 burners

CGx-5: 4 burners

CGx-6: 5 burners

CGx - Series 1 & 2 Water Trim / Gas Control Parts

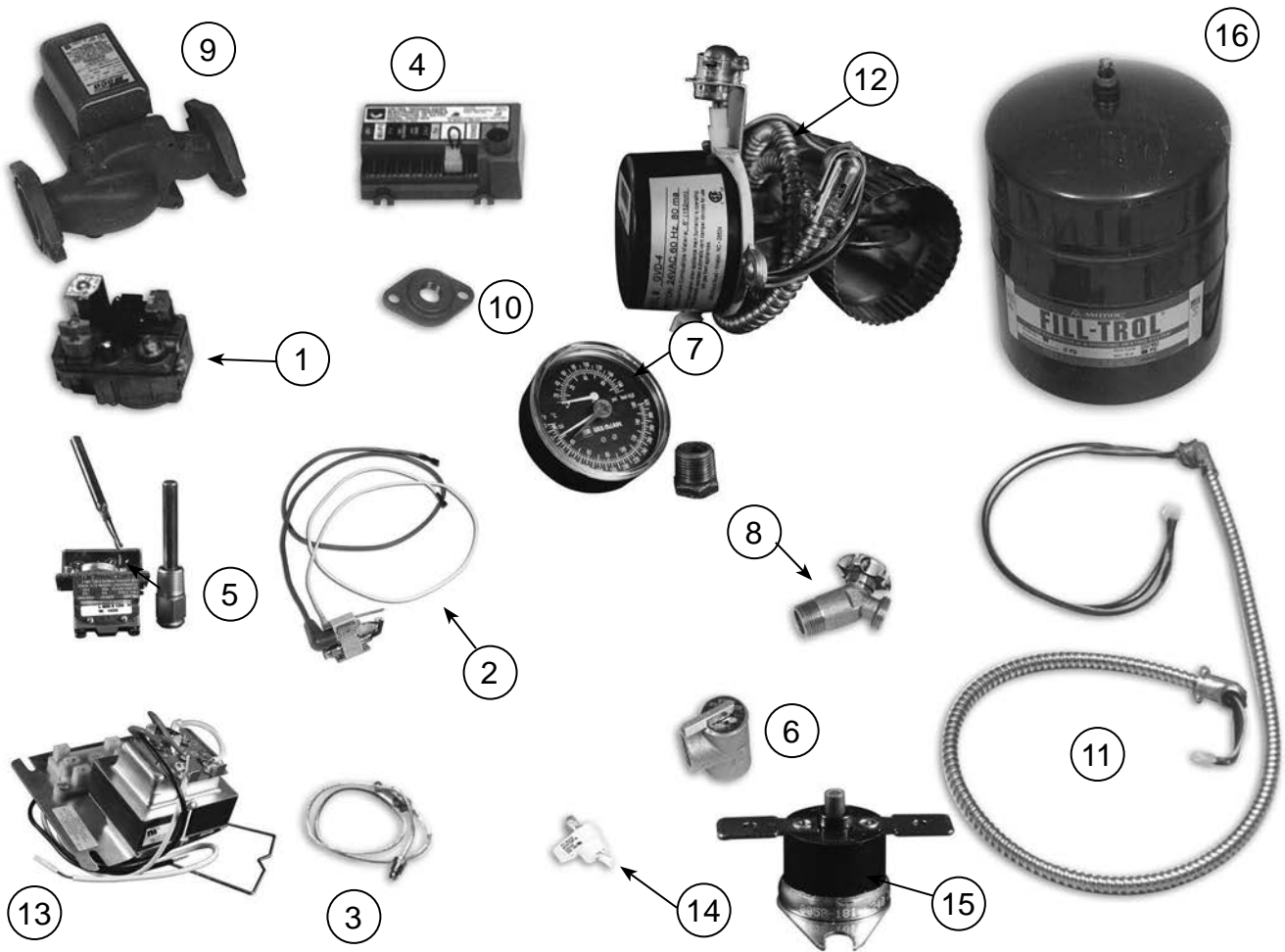


Fig. No.	Part No.	Description
Notice: This Boiler Cannot Be Used For Propane Gas		
1	511-044-381	Combination Gas Control Valve, ½" X ½" N.P.T., 24 Volt
2	511-330-218	Pilot Assembly Kit (Includes: Orifice, Aluminum Pilot Gas Tubing, Spark Wire and Sense Wire)
3	560-742-860	Pilot Tubing, ⅛" O.D. X 22¾" With Fittings
4	511-330-095	Ignition Sensing Control Module with Damper Molex, 24 Volt (Series 1)
	511-330-097	Ignition Sensing Control Module without Damper Molex, 24 Volt (Series 2)
5	510-312-250	High Limit Temperature Control, 30°F Fixed Subtractive Differential With ½" N.P.T. Well, Automatic Recycle, 140-240°F Range
6	383-500-095	Relief Valve (Male) 30 PSIG, ¾" N.P.T.
7	380-000-000	Combination Pressure-Temperature Gauge, 3" Dia., 0-75 PSIG, 60-320°F, Short Shank, Back Connection, ¼" N.P.T.
8	511-210-423	Drain Valve, ¾" N.P.T., 1½" Shank

CGx - Series 1 & 2 Water Trim / Gas Control Parts Continued

9	511-405-113	Circulator, 1/25 HP, 120/60/1
	511-405-115	Circulator, 1/12 HP, 120/60/1
N/S	511-405-535	Circulator Gasket
10	381-354-525	Circulator Hardware Kit (Includes: 1 Flange, 2 Bolts, 2 Nuts, Diamond Gasket, 1" N.P.T.)
	381-354-526	Circulator Hardware Kit (Includes: 1 Flange, 2 Bolts, 2 Nuts, Diamond Gasket, 1¼" N.P.T.)
N/S	591-319-793	Wiring Harness Circulator
11	591-391-795	Vent Damper Wiring Harness
N/S	510-512-337	Vent Damper Motor Operator with Molex
12	381-800-474	Automatic Vent Damper Assembly, 4", CGx-3
	381-800-475	Automatic Vent Damper Assembly, 5", CGx-4
	381-800-476	Automatic Vent Damper Assembly, 6", CGx-5, 6
N/S	510-312-167	Combination Transformer and DPST Relay, 120/24 Volt, 40 VA
13	510-312-166	Combination Transformer-Relay Receptacle, 120/24 Volt, 40VA
N/S	510-350-223	Plug-In Relay, SPDT, with 24 Volt Holding Coil
14	512-050-230	Rollout Thermal Fuse, 228°C
15	510-300-014	Spill Switch with Manual Reset, 240°F CG-3 to 8
16	510-632-088	Fill-Trol Diaphragm Expansion Tank
	510-632-089	
N/S	511-210-434	Fill Valve Angle Style-90 with Built-in Strainer, Pressure Reducer, Check Valve Requires User Provided Shut-Off Valve
	591-391-863	Wiring Harness CG, CGx (Series 2 Only) See Note Below

Note: Series 1 uses individual wires and not a wire harness.

CGi - Series 1 Section Assembly Parts

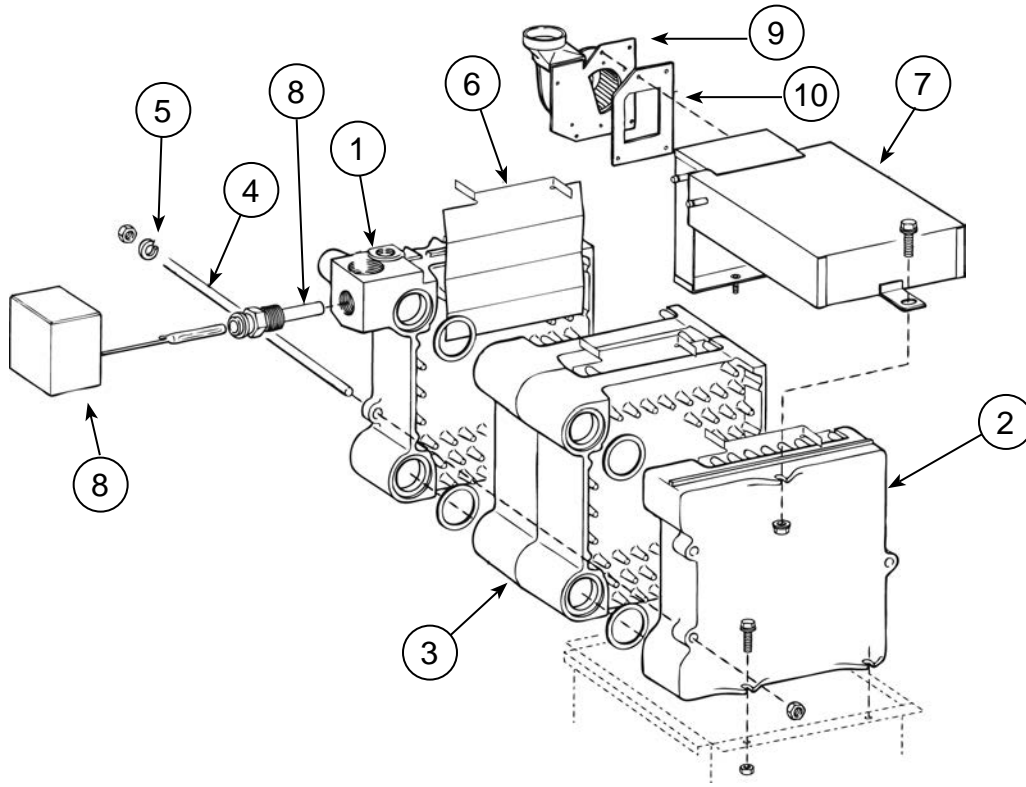


Fig. No.	Part No.	Description	Model
1	311-103-851	Left Hand End Section, 51124	
2	311-103-821	Right Hand End Section, 51128	
3	311-103-818	Intermediate Section, 51125	
N/S	321-114-286	Section Assembly	CGi-25/3
	321-114-287		CGi-4
	321-114-288		CGi-5
	321-114-289		CGi-6
	321-114-290		CGi-7
	381-354-527	Section Replacement Kit (Includes: Seals and Silicone Sealant For One Joint)	
	592-800-011	Square Cut Seal 2"	
4	560-234-500	7/16" X 9" Tie Rod Without Nut (3 Per Boiler)	CGi-25/3
	560-234-501	7/16" X 12" Tie Rod Without Nut (3 Per Boiler)	CGi-4
	560-234-502	7/16" X 15" Tie Rod Without Nut (3 Per Boiler)	CGi-5
	560-234-503	7/16" X 18" Tie Rod Without Nut (3 Per Boiler)	CGi-6
	560-234-504	7/16" X 21" Tie Rod Without Nut (3 Per Boiler)	CGi-7
	560-234-505	7/16" X 24" Tie Rod Without Nut (3 Per Boiler)	CGi-8
5	562-248-684	7/16" Washer Medium Plain Split Lock, 1 Per Rod	All
N/S	561-928-235	7/16" Hex Nut - 2 Per Tie Rod	All

CGi - Series 1
Section Assembly Parts Continued

Fig. No.	Part No.	Description	Model
6	460-003-700	Radiation Plate with Horizontal Bends, 1 Per Joint	
7	381-354-581	Collector Hood and Transition Replacement Kit	CGi-25
	381-354-582		CGi-3
	381-354-583		CGi-4
	381-354-584		CGi-5
	381-354-585		CGi-6
	381-354-586		CGi-7
8	510-312-254	High Limit, 30° Differential, with /Well, Case, Cover and Screw Honeywell- L4080B1386	
9	381-354-580	Inducer Fan Assembly Kit (Includes Inducer Fan Assembly, Gasket and Nuts)	
10	590-317-627	Inducer Gasket	

CGi - Series 1 Base Assembly Parts

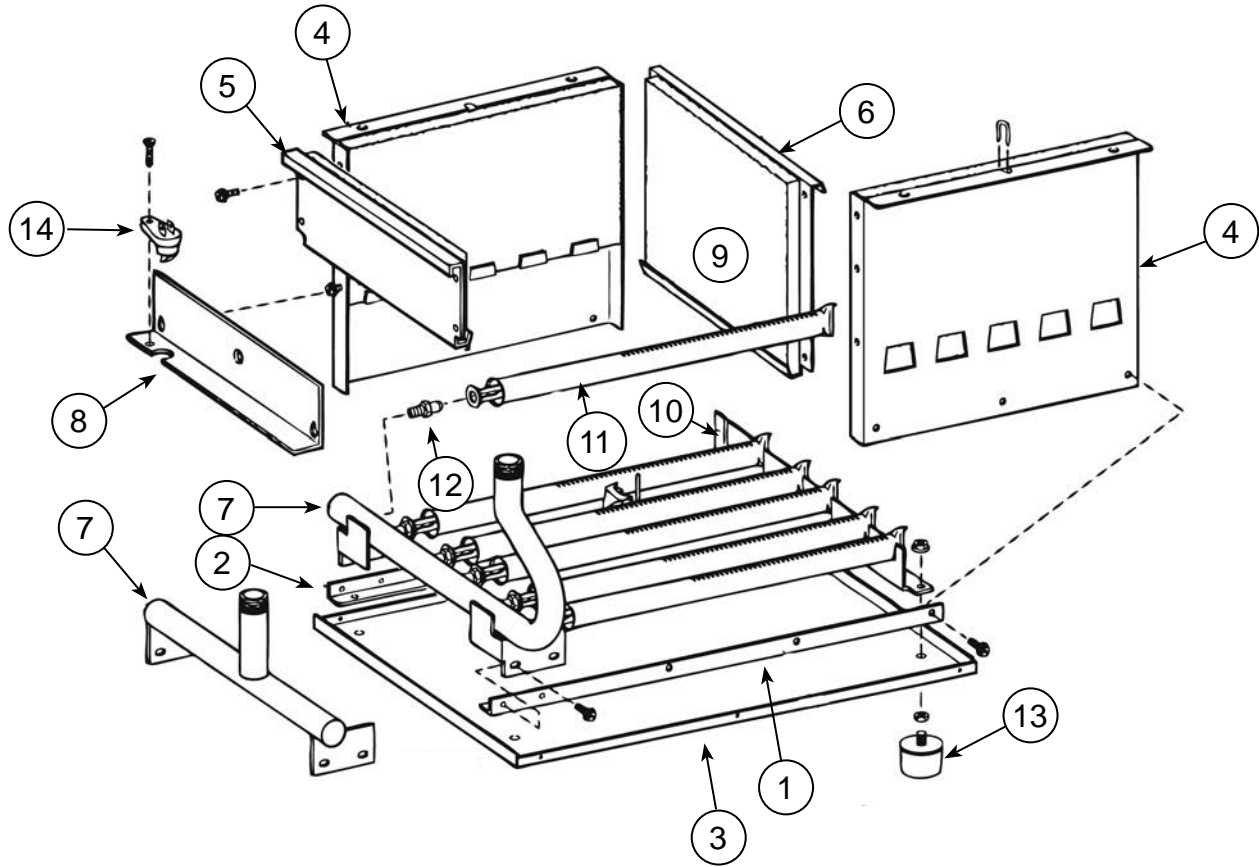


Fig. No.	Part No.	Description	Model
1	450-030-474	Base Pan Angle- Right Hand	
2	450-030-475	Base Pan Angle- Left Hand	
3	450-003-730	Base Pan	CGi-25/3
	450-003-731		CGi-4
	450-003-732		CGi-5
	450-003-733		CGi-6
	450-003-734		CGi-7
4	460-003-710	Base Side Panel	
5	460-003-777	Base Front Cross Tie	CGi-25/3
	460-003-778		CGi-4
	460-003-779		CGi-5
	460-003-780		CGi-6
	460-003-781		CGi-7
6	460-003-701	Base Back Cross Tie	CGi-25/3
	460-003-702		CGi-4
	460-003-703		CGi-5
	460-003-704		CGi-6
	460-003-705		CGi-7

CGi - Series 1 Base Assembly Parts Continued

Fig. No.	Part No.	Description	Model
7	591-126-615	Manifold	CGi-25
	591-126-616		CGi-3
	591-126-617		CGi-4
	591-126-618		CGi-5
	591-126-619		CGi-6
	591-126-556		CGi-7
8	460-003-741	Access Panel	CGi-25, 3
	460-003-742		CGi-4
	460-003-743		CGi-5
	460-003-744		CGi-6
	460-003-745		CGi-7
9	381-354-518	Base Insulation Set	CGi-25, 3, 4, 5
	381-354-519		CGi-6, 7
10	450-003-742	Burner Rest	CGi-25
	450-003-736		CGi-3
	450-003-737		CGi-4
	450-003-738		CGi-5
	450-003-739		CGi-6
	450-003-740		CGi-7
11	512-200-077	Stainless Steel Burner with No Pilot Bracket	
	512-200-078	Stainless Steel Burner, Regular with Pilot Bracket (Natural Gas)	
	512-200-079	Stainless Steel Burner with Pilot Bracket (LP)	
12	560-528-997	Main Burner Orifice, 2.0mm, Natural Gas	
	560-528-998	Main Burner Orifice, 1.3mm, Propane	
13	550-320-219	Boiler Leg Kit (Includes: 4 Legs & 4 Nuts)	
14	512-050-230	Rollout Thermal Fuse Element, Elmwood Sensors- RD226-001	

Note: Number of burners:

CGi-25 – 2 main burners and 1 burner with pilot bracket

CGi-3 – 3 main burners and 1 burner with pilot bracket

CGi-4 – 5 main burners and 1 burner with pilot bracket

CGi-5 – 7 main burners and 1 burner with pilot bracket

CGi-6 – 9 main burners and 1 burner with pilot bracket

CGi-7 – 11 main burners and 1 burner with pilot bracket

CGi - Series 1 Jacket / Electrical Parts

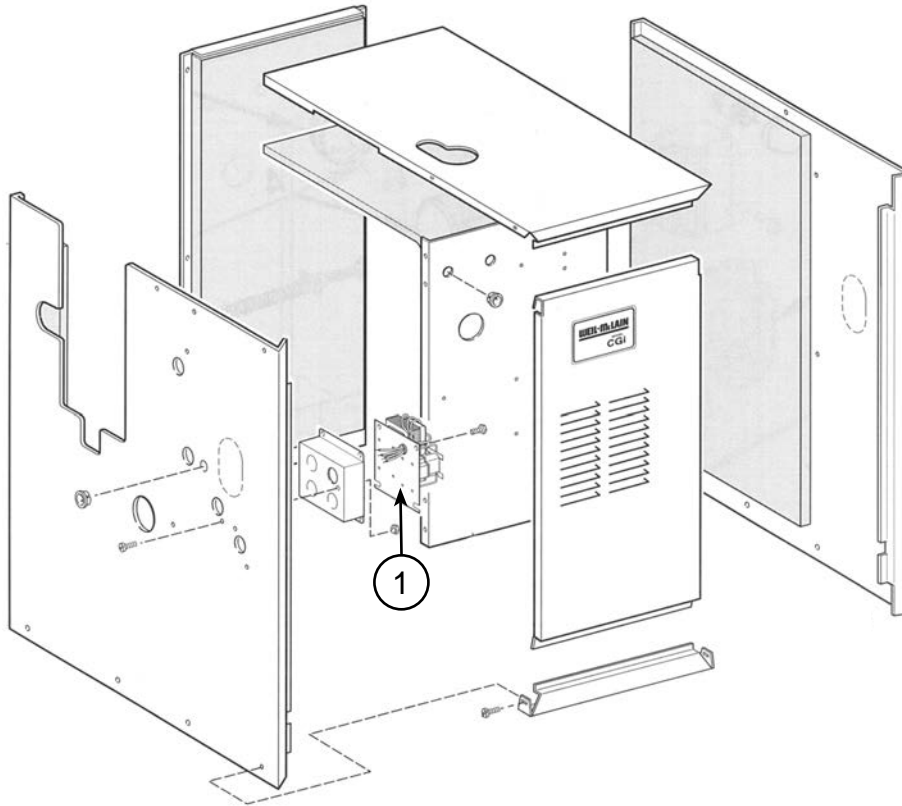


Fig. No.	Part No.	Description
1	510-312-167	Transformer/Relay Assembly
	510-312-166	Transformer 24 Volt, with Bale Wire (No Relay)
	510-350-223	Relay
N/S	592-002-030	Touch Up Paint - Blue/Gray - Low E - 4.5oz Can

Jacket Parts Are No Longer Available.

CGi - Series 1 Water Trim Parts

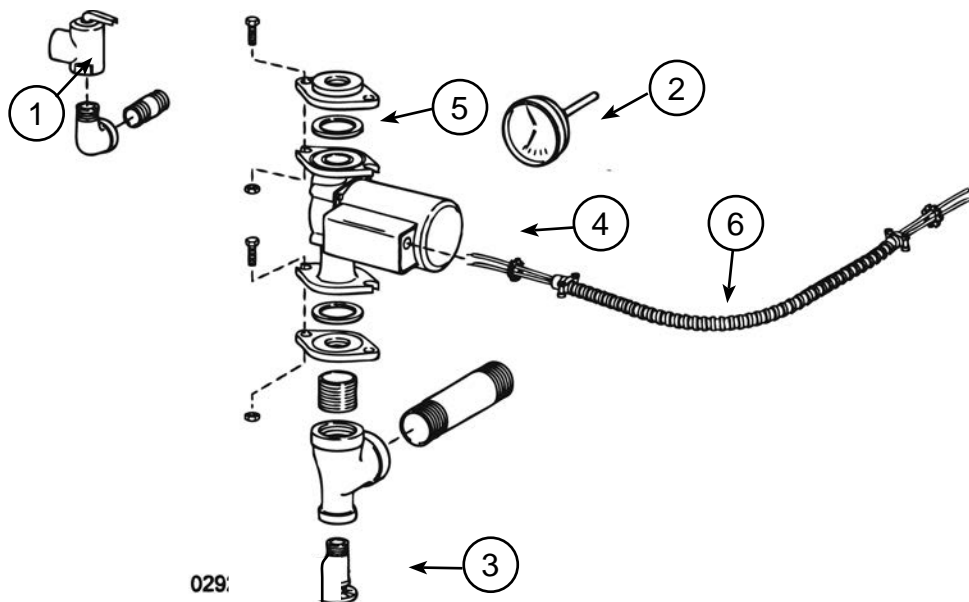


Fig. No.	Part No.	Description
1	383-500-095	ASME Pressure Relief Valve, 30 PSIG, 3/4" Male Inlet
2	380-000-000	Combination Pressure-Temperature Gauge, 3" Dia., 0-75 PSIG, 60-320°F, Short Shank, Back Connection, 1/4" N.P.T.
3	511-210-423	Drain Valve, 3/4" N.P.T, 1 1/2" Shank
4	511-405-115	Circulator
	511-405-113	Circulator
5	590-317-535	Circulator Gasket, Diamond Universal (Two Per Boiler)
6	591-319-793	Wiring Harness For Circulator
N/S	381-354-530	Circulator Hardware Kit (Includes: 1 Flange, 2 Bolts, 2 Nuts, 1 Gasket, 3/4" N.P.T) Fits Taco Circulators
	381-354-525	Circulator Hardware Kit (Includes: 1 Flange, 2 Bolts, 2 Nuts, 1 Gasket, 1" N.P.T) Fits Taco Circulators
	381-354-526	Circulator Hardware Kit (Includes: 1 Flange, 2 Bolts, 2 Nuts, 1 Gasket, 1 1/4" N.P.T) Fits Taco Circulators

CGi - Series 1 Gas Control Parts

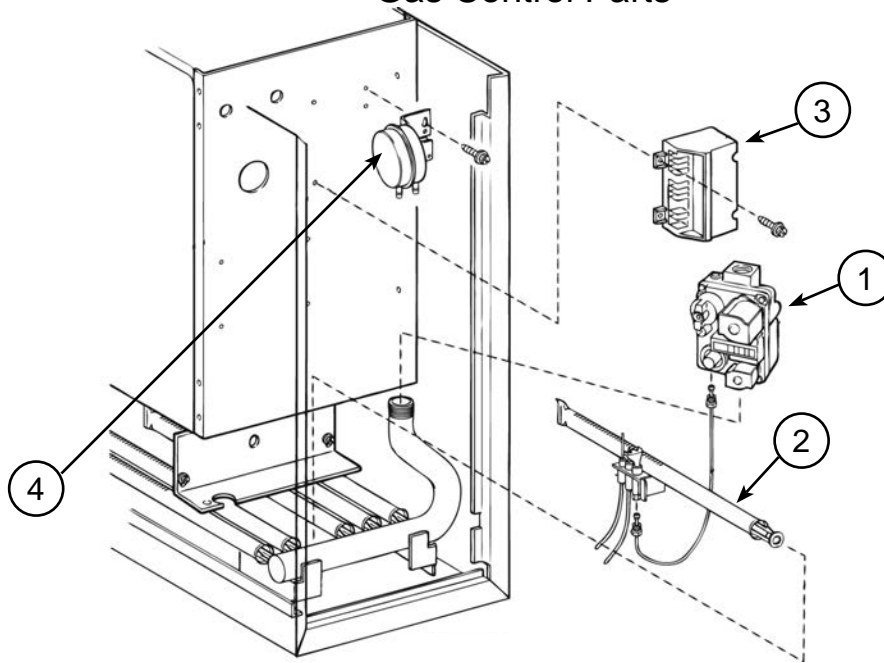


Fig. No.	Part No.	Description	Boiler Size
1	511-044-381	Gas Valve, 1/2" X 1/2", Natural, CGI 25-6	25 thru 6
	511-044-353	Gas Valve, 3/4" x Natural	7
	511-044-354	Gas Valve, 1/2" x 1/2", Propane	25, 6
	511-044-355	Gas Valve, 3/4" x 3/4", Propane	7
2	510-811-221	Pilot Assembly Kit (Includes: Orifice and Burner with Pilot Bracket, Wires and Pilot Tubing) Natural Gas	All
	510-811-222	Pilot Assembly Kit (Includes: Orifice and Burner with Pilot Bracket, Wires and Pilot Tubing) Propane	All
3	511-330-099	Ignition Control Module	All
N/S	560-742-860	Pilot Tubing, 1/8" O.D., Aluminum	All
4	511-624-450	Pressure Differential Switch, 1.18" W.C., 0' to 1,999' Altitude	25, 3, 4
	511-624-451	Pressure Differential Switch, .96" W.C., 2,000' to 10,000' Altitude	
		511-624-452	Pressure Differential Switch, .96" W.C., 0' to 1,999' Altitude
	511-624-453		Pressure Differential Switch, .75" W.C., 2,000' to 10,000' Altitude
		Pressure Differential Switch, .75" W.C., 0 to 1,999' Altitude	
	511-624-432	Pressure Differential Switch, .59" W.C., 2,000' to 10,000' Altitude	7
		Pressure Differential Switch, .59" W.C., 0' to 1,999' Altitude	
511-624-432	Pressure Differential Switch, .48" W. C., 2,000' to 10,000' Altitude		

CGi - Series 1
Gas Control Parts Continued

Fig. No.	Part No.	Description	Boiler Size
N/S	590-317-650	Air Pressure Switch Tubing, Red, .12 ID Silicone, 17"	All
	590-317-651	Air Pressure Switch Tubing, White, .12 ID Silicone, 19"	All
	591-319-795	Wiring Harness	All
	510-811-225	Natural to Propane Conversion Kit	25 thru 6
	510-811-226		7
	510-811-227	Propane to Natural Conversion Kit	25 thru 6
	510-811-228		7

Ultra Boiler - Series 1 & 2 Jacket Assembly Parts

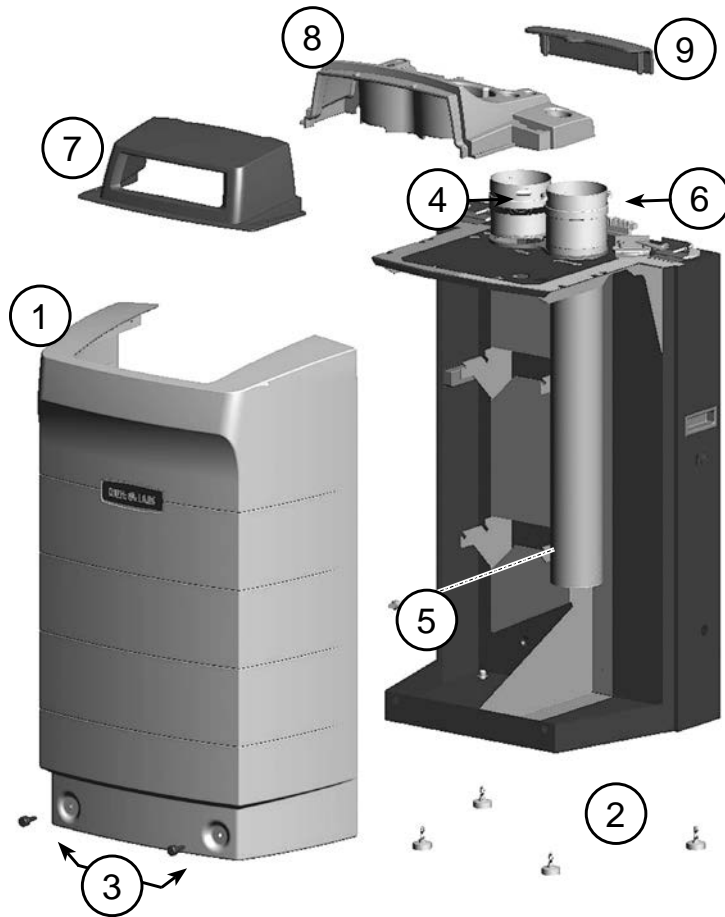


Fig. No.	Part No.	Description	Model
1	383-500-135	Jacket Front Door	
2	383-500-065	Boiler Leg Kit (4 Required)	
3	383-500-320	Knurled Head Screw For Jacket Front Door (2 Required)	
N/S	383-500-180	Knurled Head Screw Clip-On Receptacle (2 Required)	
	383-500-055	Flue Temperature Sensor Replacement Kit	
	590-318-011	Flue Temperature Sensor Gasket	

Ultra Boiler - Series 1 & 2 Jacket Assembly Parts Continued

Fig. No.	Part No.	Description	Model
4,5,6	383-500-770	Flue Kit- (Includes Air Inlet Adapter, 3" Flue Outlet Adapter, 3" Flue Pipe, Bracket, Hardware, and Instructions.)	80/105
	383-500-771	Flue Kit- (Includes Air Inlet Adapter, 3" Flue Outlet Adapter, 3" Flue Pipe, Bracket, Hardware, and Instructions.)	155
	383-500-772	Flue Kit- (Includes Air Inlet Adapter, 4" Flue Outlet Adapter, 4" Flue Pipe, Bracket, Hardware, and Instructions.)	230-399
7	383-500-165	Top Cover, Front	
8	595-000-006	Top Cover, Rear	310
9	383-500-175	Electrical Cabinet Door	
N/S	383-500-133	Door Gasket Replacement Kit	
	383-500-610	Door Gasket Replacement Kit - (Series-2)	
	383-500-245	120v Electrical Socket	
	592-800-022	3" Blue Intake And Vent Gasket For Top of Fitting	80,105,155
	592-800-023	4" Blue Intake And Vent Gasket For Top of Fitting	230, 310
	590-318-007	70mm Blue Gasket For Bottom of Vent Fitting Into Aluminum Casting	80, 105
	590-318-003	80mm Blue Gasket For Bottom of Vent Fitting Into Aluminum Casting	155
	590-318-004	100mm Blue Gasket For Bottom of Vent Fitting Into Aluminum Casting	230, 310
	590-318-011	Flue Sensor Grommet	All
	592-002-033	Touch Up Paint - Black - Low E, 4.5oz Can	All

Ultra Boiler - Series 1 & 2 Heat Exchanger / Piping - Ultra-80/105

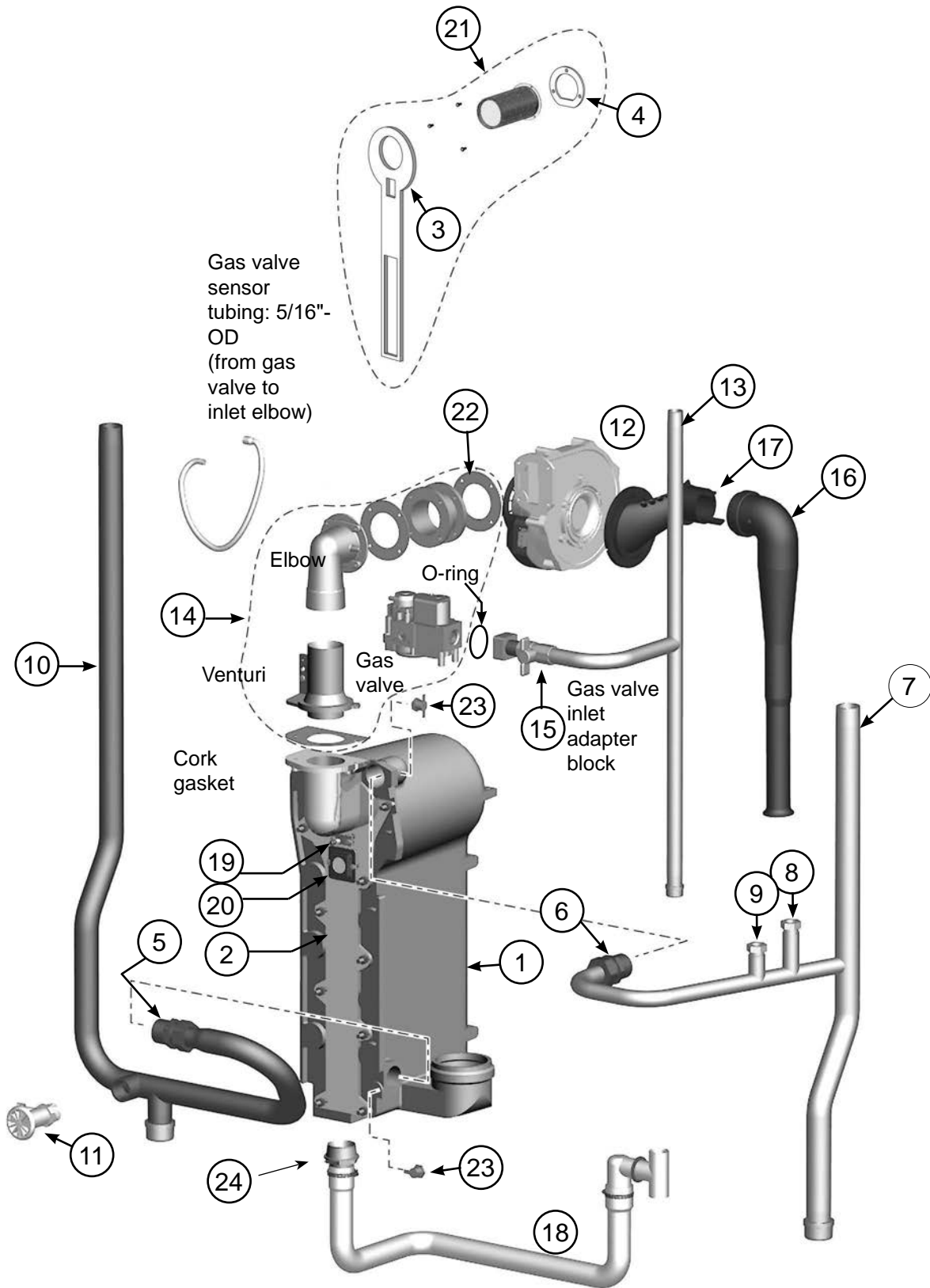
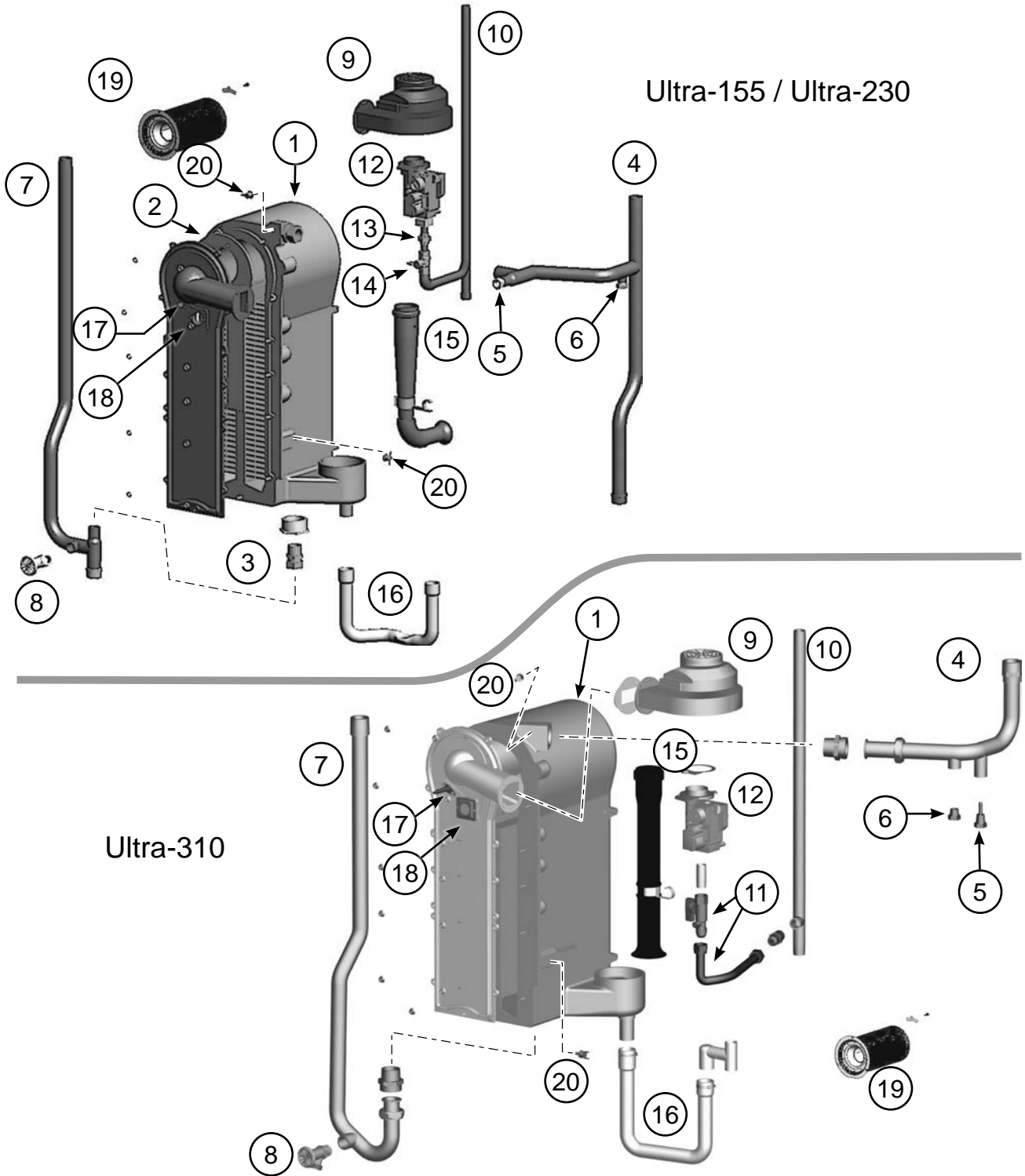


Fig. No.	Part No.	Description	Boiler Model
1	383-500-773	Heat Exchanger Replacement Kit-(Includes Heat Exchanger, Electrode, Water Sensors, Compression Fitting, Condensate Fitting, Gaskets, Hardware)	80
	383-500-774		105
2	383-501-022	Cover Plate Replacement Kit (Includes: Cover Plate, Cover Plate Gasket, Burner Gasket and Hardware)	80, 105
3	591-200-000	Cover Plate Gasket/Insulation	80, 105
4	590-300-000	Burner Gasket	80, 105
5	383-500-260	Water Compression Fitting, 28mm Return	80, 105
6	564-100-002	Water Compression Fitting, 22mm Supply	80, 105
7	383-501-036	Water Supply Piping Assembly (Includes: Pipe, Temperature Well, Check Valve, Cap (Assembled) and Compression Fitting)	80, 105
8	383-500-270	½" N.P.T. Well for Temperature Gauge	ALL
9	383-500-275	Pressure/Temperature Gauge Check Valve	ALL
10	383-501-037	Return Water Pipe Assembly (Includes: Pipe, Drain Valve, Cap (Assembled) and Compression Fitting)	80, 105
11	511-246-392	Boiler Drain Valve, ¾" N.P.T.	ALL
12	383-501-027	Blower Assembly Kit (Includes: Blower, Gasket and Hardware)	80, 105
13	383-501-038	Gas Pipe Assembly (Includes: Gas pipe, Shut-Off Valve, 1½" Nipple, Adapter Block, O-ring and Hardware)	80, 105
N/S	563-910-031	Gas Valve Block (Includes Block, O-ring, and Screws)	All
14	383-501-029	Gas Valve/Venturi Kit (Includes: Gas valve, Venturi, 90° Elbow, Gaskets, and Hardware (Assembled)) (For LP boilers, Make Sure To Reinstall The Existing Propane Orifice)	80
	383-501-030	Gas Valve/Venturi Kit (Includes: Gas valve, Venturi, 90° Elbow, Gaskets, and Hardware (Assembled)) (For LP boilers, Make Sure To Reinstall The Existing Propane Orifice)	105
15	Obtain Locally	Manual Gas Valve, ½" N.P.T.	80, 105
16	383-501-026	Air Silencer Kit (Includes: Air Silencer and Gasket)	80, 105
17	383-501-025	Air Silencer Adapter Kit (Includes: Air Silencer Adapter and Hardware)	80, 105
18	383-501-031	Condensate Trap Kit (Includes: Condensate Trap, Hose Clamps, PVC Fittings and Gasket)	80, 105
19	383-500-045	Ignition Electrode Kit (Includes: Ignition Electrode, Suppressor, Gasket and Hardware)	ALL
N/S	511-330-253	Igniter Gasket	All
	383-500-050	Ignition Cable Kit (Includes: Ignition Cable, Suppressor and Wire Tie)	ALL
20	383-500-020	Inspection Glass Kit (Includes: Bracket, Glass, Gasket and Hardware)	ALL
21	383-501-032 383-501-033 383-501-034	Burner Replacement Kit (Includes: Burner, Gaskets and Hardware)	80NG 80LP 105
N/S	383-900-090	Burner Insert Repair Kit (Includes Drill, Tap, Inserts, Screws, Instructions)	All
22	590-300-003	Gasket Rubber, Blower	80, 105
23	383-500-300	Return/Supply Sensor Kit-- (1) Sensor	80, 105
N/S	590-317-310	Cork Gasket (Goes Between Gas Valve Venturi and Burner Inlet)	ALL
	560-340-598	Cover Plate Studs, M6, 1 Pitch	ALL
	561-928-449	Cover Plate Nuts, M6, 1 Pitch	ALL
24	561-200-000	Condensate Fitting	80/105
N/S	383-600-009	Gas Valve O-Rings - Package Of Ten	All

Ultra Boiler - Series 1 & 2
Heat Exchanger / Piping
Ultra-155 / 230 / 310



Ultra Boiler - Series 1 & 2
Heat Exchanger / Piping Parts
Ultra-155 / 230 / 310

Fig. No.	Part No.	Description	Model
1	383-500-775	Heat Exchanger Replacement Kit-(Includes Heat Exchanger, Electrode, Water Sensors, Compression Fitting, Condensate Fitting, Gaskets, Hardware)	155
	383-500-776		230
	383-500-777		310
N/S	383-500-395	Cover Plate Replacement Kit (Includes: Cover Plate, Cover Plate Gasket, Burner Gasket and Hardware)	155, 230, 310
2	383-500-250	Cover Plate Insulation/Burner Gasket	155, 230, 310
N/S	383-500-255	Cover Plate Gasket	155, 230, 310
3	383-500-260	Water Compression Fitting, 28mm Supply/Return	155, 230
4	383-500-265	Water Supply Piping Assembly (Includes: Pipe, Temperature Well, Check Valve, Cap (Assembled) and Compression Fitting)	155, 230
	383-500-380	Water Supply Piping Assembly (Includes: Pipe, Temperature Well, Check Valve, Cap (Assembled) and Compression Fitting)	310
5	383-500-270	½" N.P.T. Well for Temperature Gauge	All
6	383-500-275	Pressure/Temperature Gauge Check Valve	All
N/S	383-500-280	Return Water Bushing, 1¼"BSP x 1"BSP (Not Used On Ultra 310)	155, 230
7	383-500-285	Return Water Pipe Assembly (Includes: Pipe, Drain Valve, Cap (Assembled) and Compression Fitting)	155, 230
	383-500-385	Return Water Pipe Assembly (Includes: Pipe, Drain Valve, Cap (Assembled) and Compression Fitting)	310
8	511-246-392	Boiler Drain Valve ¾" N.P.T.	All
9	383-500-035	Blower Assembly Kit (Includes: Blower, Gasket And Hardware)	155
	383-500-040	Blower Assembly Kit (Includes: Blower, Gasket, Molex Adapter and Hardware)	230
	383-500-360	Blower Assembly Kit (Includes: Blower, Gasket And Hardware)	310
10	383-500-290	Gas Pipe Assembly (Includes: Gas Pipe and Shut-off Valve)	155, 230
	560-907-679	Gas Pipe	310
11	560-900-016	Flexible Gas Line Section and Shut-off Valve	310
N/S	563-910-031	Gas Valve Inlet Block (Includes Block, O-ring, and Screws)	All
	383-600-009	Gas Valve - O-Rings (Package Of Ten)	All
12	383-500-025	Gas Valve/Venture Kit (Includes: Gas Valve/Venturi Assembly, and Hardware) (For LP Boilers, Make Sure To Reinstall The Existing Propane Orifice)	155
	383-500-030		230
	383-500-390		310
13		Ground Joint Union, ½" N.P.T.	155, 230
14		Manual Gas Valve, ½" N.P.T.	155, 230
15	383-500-295	Air Silencer Kit (Includes: Air Silencer and Gasket)	155, 230
	383-500-355		310
16	383-500-060	Condensate Trap Kit (Includes: Condensate Trap, Hose Claps, PVC Fittings and Gasket)	155
	383-500-060		230
	383-500-365		310
17	383-500-045	Ignition Electrode Kit (Includes: Ignition Electrode, Suppressor, Gasket and Hardware)	All

Ultra Boiler - Series 1&2
Heat Exchanger / Piping Parts Continued
Ultra 155 / 230 / 310

Fig. No.	Part No.	Description	Model
N/S	383-500-050	Ignition Cable Kit (Includes Ignition Cable, Suppressor, and Wire Tie)	All
18	383-500-020	Inspection Glass Kit (Includes Glass, Bracket, Gasket, and Hardware)	All
19	383-500-085	Burner Replacement Kit (Includes Burner, Gasket, and Hardware), Series 1&2, Natural Gas or Propane	155
	383-500-090		230
	383-500-407		310
N/S	383-900-090	Burner Insert Repair Kit (Includes 6.9 MM Drill, Tap, Inserts, Screws, and Instructions)	155,230,310
	383-500-660	Burner Locking Plate Kit (Includes 3 screws, and 3 locking plates)	155,230,310
20	383-500-300	Return/Supply Sensor (Includes 1 Sensor) (12 kohms)	All
N/S	562-248-755	Square Cut Gasket For Ultra 310 Supply/Return Compression Fittings Garlock	All
	561-326-828	Fitting Double Nipple For Ultra 310 Supply/Return- 1½"	
	511-330-253	Ignitor Gasket	All
	590-317-310	Cork Gasket (Goes Between Gas Valve Venturi and Blower)	All
	590-318-006	Gasket, Rubber (Goes Between Blower and Cover Plate)	All
	562-248-755	Gasket, Garlock (Supply/Return Fitting)	310

Ultra Boiler - Series 1 & 2 Control Parts

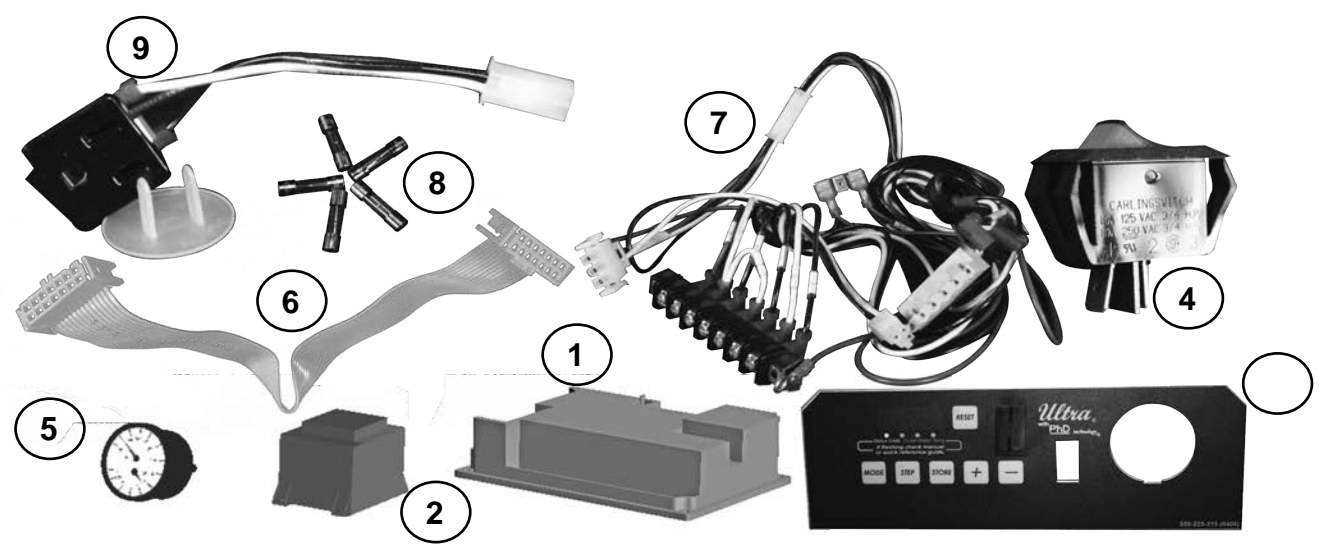


Fig. No.	Part No.	Description	Model
1	383-500-190	Ultra Control Module- MCBA	80 105
	383-500-191		155 230
			310
2	383-500-195	Transformer, 120v/24v	
4	383-500-205	On/Off Power Switch	
5	383-500-210	Pressure/Temperature Gauge Assembly (Includes: Temperature and Pressure Sensor)	
6	383-500-215	Ribbon Cable, Control Module to Display Board	
N/S	591-300-002	Low Voltage Wire Harness Assembly - (Includes Wire Harness, Terminal Strip, and Resistor)	80, 105
	591-391-941		310
7	591-300-001	High Voltage Wire Harness Assembly - (Includes Wire Harness)	80, 105
	383-500-230		155, 230,
	591-391-940		310
8	383-500-235	Control Model Fuses (F-1 Is 5-Amp, Fast-Blow (5 Fuses)	
	383-500-240	Control Model Fuses (F-3 Is 4-Amp, Slow-Blow (5 Fuses)	
9	383-500-245	120v, 3-Wires Receptacle	
N/S	510-350-200	Circulator Relay	310
	591-391-927	Gas Valve Plug	155, 230, 310
	591-850-570	Data Port Cover (Series 2 Only)	
	383-500-665	Series 3 - U-Control Up Grade Kit -(Includes U-Control, Wire Harnesses, Display, Hardware, and Instructions)	All

Ultra Boiler - Series 1 & 2 Miscellaneous Parts and Kits

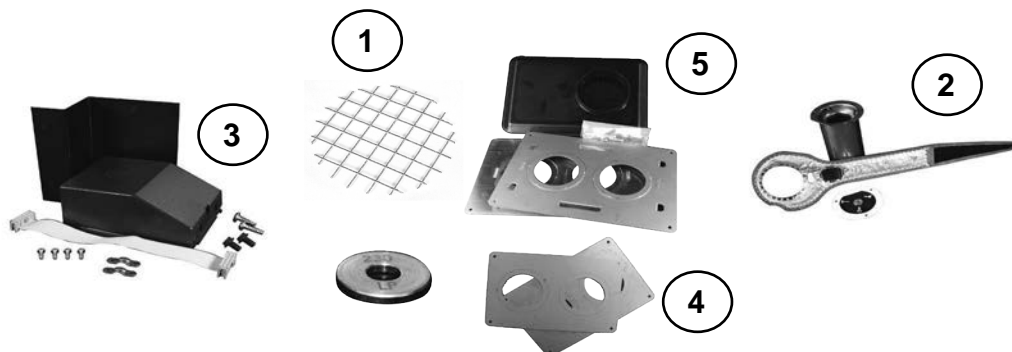
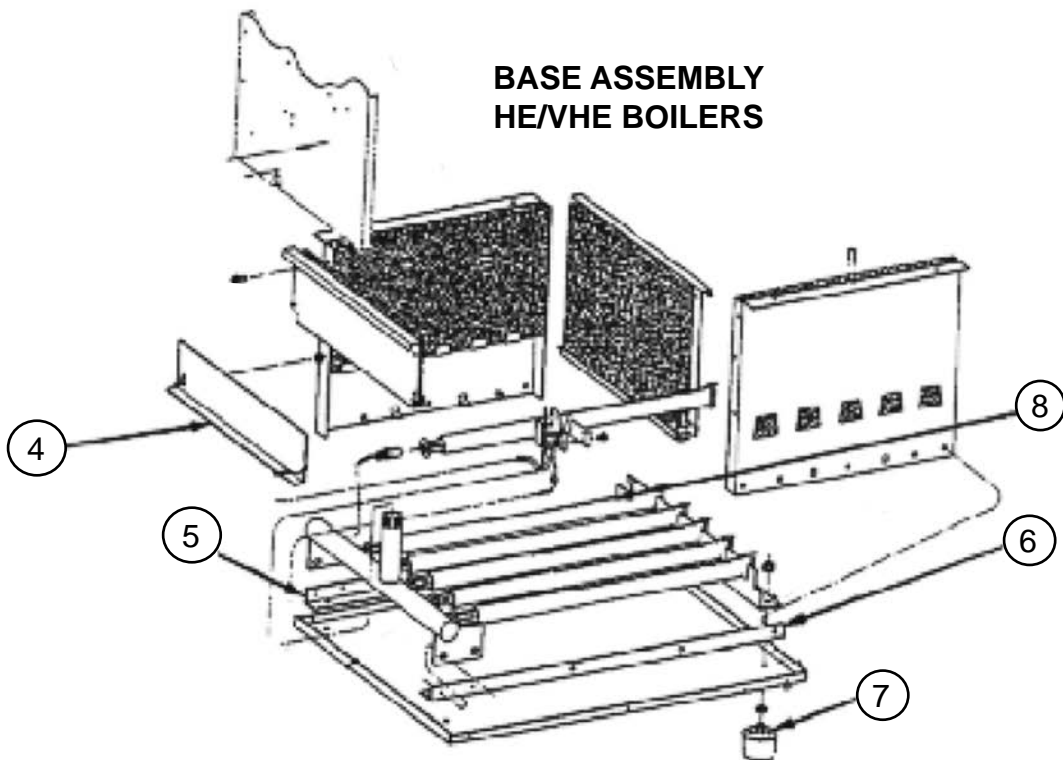
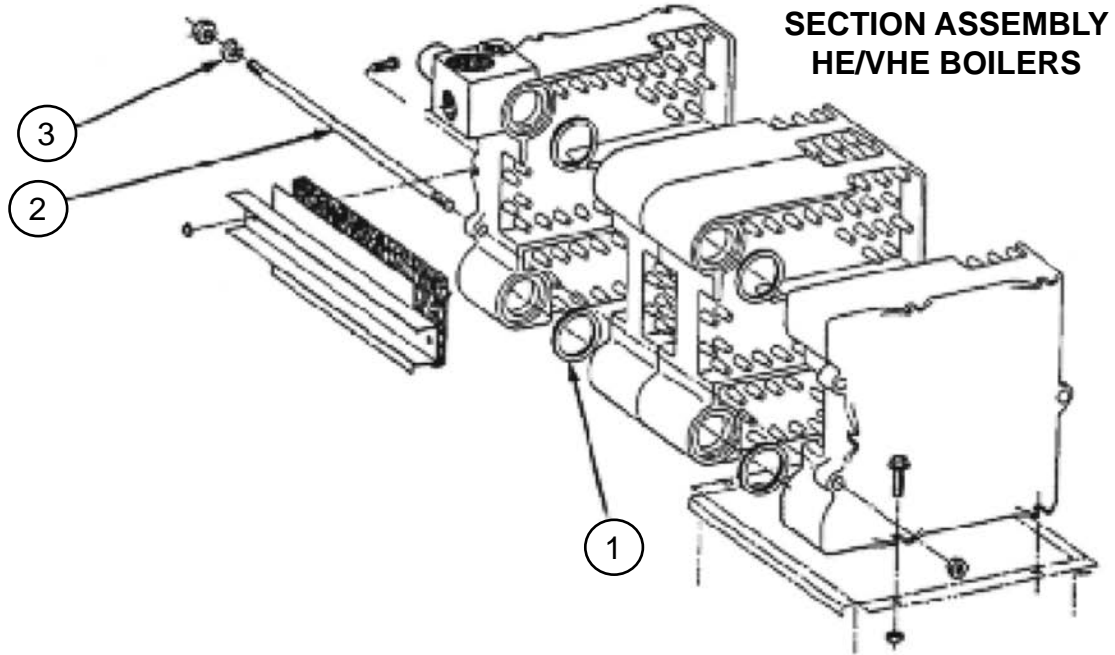


Fig No	Part No.	Description	Model
N/S	383-500-095	Pressure Relief Valve, ASME 30 PSI, 3/4" N.P.T. Male	
	511-405-113	Boiler Circulator, Without Flanges	80, 105
	511-405-133	Boiler Circulator, Without Flanges	155,230,310
	381-354-525	Circulator Hardware Kit-Inlet, 1" (Includes: (1) Flange, (2) Nuts, and (1) Gasket)	80 to 230
	381-354-526	Circulator Hardware Kit (Includes: Flange, Nuts, Screws and Gasket) 1 1/4"	80 to 310
	381-354-531	Circulator Hardware Kit (Includes: Flange, Nuts, Screws and Gasket) 1 1/2"	310
1	383-500-105	Vent Termination Bird Screen, 3" Vent - 2 Required	80,105,155
	383-500-110	Vent Termination Bird Screen, 4" Vent - 2 Required	230,310 only
2	383-500-120	Natural To Propane Conversion Kit (Orifice Bag Assembly)	230
	383-501-020	Natural To Propane Conversion Kit	80
3	383-500-080	Alarm Control Kit - AM-3	All
	383-500-396	Control Kit - AM-4 - Coverts 0-10 VDC Signal	
N/S	383-500-125	Outdoor Temperature Sensor	All
4	383-500-100	Vent/Air Termination Plate (2 Required For Each Boiler)	
N/S	383-500-397	Sidewall Termination Kit, 3"	
5	383-500-398	Sidewall Termination Kit, 4"	
N/S	383-501-020	Natural To Propane Conversion Kit (Orifice Bag Assembly)	80
	540-100-001	Natural To Propane Conversion Kit (Orifice Bag Assembly)	105
	383-500-115	Natural To Propane Conversion Kit (Orifice Bag Assembly)	155
	383-500-120	Natural To Propane Conversion Kit (Orifice Bag Assembly)	230
	383-500-016	Natural To Propane Conversion Kit (Includes: Propane Burner and Orifice Bag Assembly With Instructions)	310 Series 1 only
	540-202-833	Natural To Propane Conversion Kit (Orifice Bag Assembly)	310 Series 2 only
	383-501-021	Propane To Natural Conversion Kit	80

Ultra Boiler - Series 1 & 2 Miscellaneous Parts and Kits Continued

Fig No	Part No.	Description	Model
	383-500-605	Maintenance Kit (Includes: Igniter, Igniter Gasket, Cover Plate Gasket, Cover Plate Insulation, Burner Gasket and Venturi Gasket)	80 & 105
	383-500-620	Maintenance Kit (Includes: Igniter, Igniter Gasket, Cover Plate Gasket, Cover Plate Insulation, Burner Gasket and Venturi Gasket)	155 - 399
	591-706-200	Heat Exchanger Cleaning Tool	All
	383-500-631	Condensate Neutralizer Kit	All
	560-340-598	Cover Plate Studs, M6, 1 Pitch	All
	561-928-449	Cover Plate Nuts, M6, 1 Pitch	All
	383-500-327	High Altitude Kit (Includes 1 Orifice of Each Boiler Size) L/P ONLY	All
	383-500-021	Time Delay Kit (Includes Electrical Box, Relays, and Instructions)	All
	383-600-009	Gas Valve O-Rings	All
	383-500-345	Heat Exchanger Plug Kit - (Includes 14 Plugs, 12MM Allen Wrench, and Instructions) SERIES 1 ONLY	155/230 Only
Manifolds			
N/S	383-500-649	Easy Up Manifold -1 ¼"	80/105
	383-500-661	Easy Up Manifold - 1 ½"	155-399

HE / HEII / VHE - Series 1 Through 3
Section / Base Assembly



HE / HEII / VHE - Series 1 Through 3 Section / Base Assembly Parts

Parts not listed below are obsolete and no longer available. Parts listed below may become obsolete.

Call Customer Service for part availability.

Fig. No.	Part No.	Description	Series No.
1	592-800-011	2" Square Cut Seal (Need 2 Per Joint)	1-3
2	560-234-500	7/16" X 14 Unc, Tie Rod Without Nut: (9" Long) (3 Per Boiler)	1-3
	560-234-501	7/16" X 14 Unc, Tie Rod Without Nut: (12" Long) (3 Per Boiler)	1-3
	560-234-502	7/16" X 14 Unc, Tie Rod Without Nut: (15" Long) (3 Per Boiler)	1-3
	560-234-503	7/16" X 14 Unc, Tie Rod Without Nut: (18" Long) (3 Per Boiler)	1-3
3	562-248-684	7/16" Washer (1 Per Tie Rod)	1-3
N/S	591-638-850	Silicone Sealant For Cleanout Plate-RTV 700 or Equivalent: (10.3 oz.) Base Side Panel (2 Per Boiler)	1-3
4	450-030-644	Base Access Panel: (HSI Only)- HE/VHE/HEII-3	3
	450-030-645	Base Access Panel: (HSI Only)- HE/VHE/HEII-4	3
	450-030-646	Base Access Panel: (HSI Only)- HE/VHE/HEII-5	3
	450-030-647	Base Access Panel: (HSI Only)- HE/VHE/HEII-6	3
5 & 6	450-030-971	Base Pan Angle-Universal Fits Right Or Left	1-3
7	590-424-252	Leg Assembly (Includes: Leg, Nuts and Washer)	1-3
N/S	560-528-992	Main Burner Orifice: (Natural Gas): 2.0mm-7/16" Hex-1/8" N.P.T	1-3
	560-529-052	Main Burner Orifice: (Propane Gas): 1.25mm-7/16" Hex-1/8" N.P.T	1-3
8	512-200-035	Burner, Aluminized: (1.00" OD x15.00" Long)	1-3
	512-200-045	Burner, Aluminum with Pilot Bracket - (HE/VHE Cycle Pilot System Only)	1-3
N/S	591-632-612	Waterglass (4 oz Bottle)	1-3
	591-602-914	Boiler Cement (1 Can)=(1/2 Gallon)	1-3
	591-638-851	Silicone Sealant (RTV 700 or Equivalent) (3 oz)	1-3
	592-002-030	Touch Up Paint - Blue/Gray - Low E, 4.5oz Can	1-3

Note: Number of burners for HE/VHE/HEII Boilers:

**HE/VHE/HEII-3-(4 main burners),
HE/VHE/HEII-4-(6 main burners),
HE/VHE/HEII-5-(8 main burners),
HE/VHE/HEII-6-(10 main burners).**

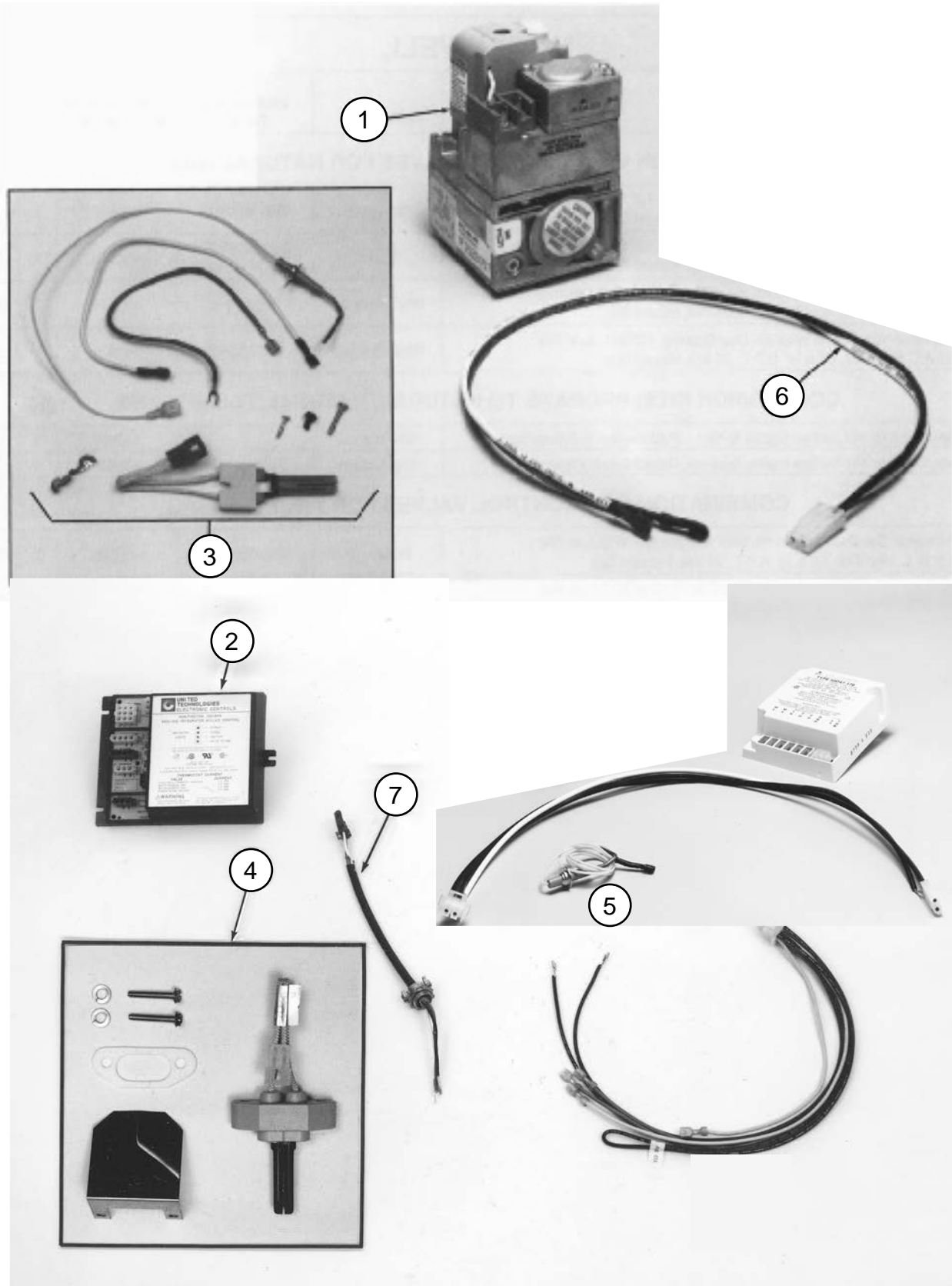
For Cycle Pilot HE/VHE Boilers subtract one main burner, and add one pilot burner to each above.

Boiler Cement Quantities Required:

**HEII-3-(1 Can),
HEII-4-(2 Cans),
HEII-5-(3 Cans),
HEII-6-(4 Cans),**

1 Can Equals 1/2 Gallon (Used For Base Front and Back Cross Ties on HEII)

HE / HEII / VHE - Series 1 Through 3 Hot Surface Ignition



HE / HEII / VHE - Series 1 Through 3 Hot Surface Ignition Parts

Fig. No.	Part No.	Description	Model
Combination Gas Valve Control For Natural Gas			
1	510-811-655	Combination Gas Control Valve Kit (Step Opening, 0.9" W.C. Low Fire To 3.5" W.C. High Fire, ½" x ½" N.P.T. Natural Gas)	ALL
Combination Gas Valve Control For Propane Gas			
1	510-811-656	(Step Opening, 3.0" W.C. Low Fire To 10.0" W.C. High Fire, ½" x ½" N.P.T. , Propane Gas) This Gas Valve No Longer Available - No Replacement	ALL
Gas Control Components For Natural Gas And Propane Gas			
2	510-811-502	Combination Ignition-Sensing Control Module, 24 Volt, (Lock-Out After 3 Ignition Trials)	HE/ VHE
	382-200-448	Integrated Boiler Control Module, 24 Volt, (Lock-Out After 3 Ignition Trials) Instructions Included	HE II
3	382-930-216	Norton 201 to 201N Conversion Kit - Used Only With Honeywell & Fenwall Controls - (Igniter, Bracket, Sense Rod) Instructions Included	HE/ VHE
N/S	511-330-182	Sapco Fame Sensor - Comes With Kit # 382-930-216 With Bracket and Lead Wire	HE/ VHE
	511-330-184	Norton 201N (Igniter only) - With Lead Wires and Connector Used With White Rodgers. Instructions Included	HE/ VHE
4	511-330-148	Igniter Replacement Kit - (Includes Igniter and Shield Used With United Technologies) - HE II Only	HE II
5	511-330-192	Main Fame Sensor, Used With White Rodgers Control # 50E47-871	HE/ VHE
N/S	450-030-655	Igniter Bracket, Boilers With - 201N Igniter (HSI) only	HE/ VHE
	450-030-653	Igniter Bracket, Boilers With - 271N Igniter	HE II
	450-030-642	Igniter Shield, Boilers With HSI Only	ALL
6	591-391-819	Wiring Harness - Module To Igniter - Gold Control Module Only	HE II
N/S	591-391-786	Wiring Harness - Module To Controls Gold Control Module Only	HE II
	591-391-808	Wiring Harness - Module To Igniter - White Rodgers Module Only	HE/ VHE
7	591-391-788	Wiring Harness - Gold Control Module To Junction Box	HE II
N/S	591-391-784	Wiring Harness - Gold Control Module to Inducer (4-Pin Molex Plug)	
Conversion Kits: Natural to Propane, Propane to Natural			
N/S	510-811-480	Conversion Kit – Natural Gas To Propane Gas This Kit Along With Gas Valve No Longer Available - No Replacement	ALL
	510-811-485	Conversion Kit – Propane Gas To Natural Gas (HSI only) - (Includes: Gas Valve, Orifices and Instructions)	ALL

HE / HEII / VHE - Series 1 Through 3 Hot Surface Ignition Conversion Kits

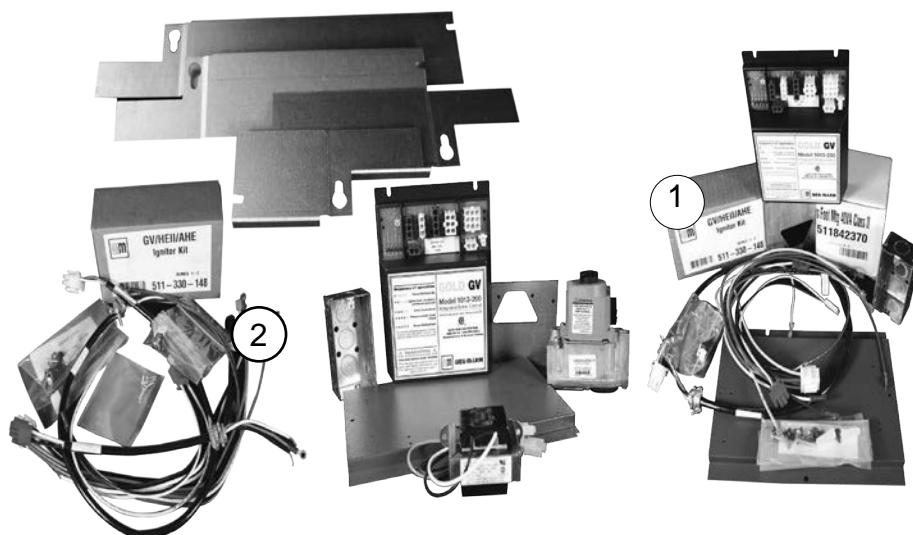


Fig. No.	Part No.	Description	Model
Conversion Kits: Control Systems			
1	382-200-451	Conversion Kit – From Honeywell, Fenwall, White Rodgers HSI To Gold Control HSI - (Includes: Module, Wiring, Transformer, Igniter, Hardware and Instructions) No Gas Valve	HE/ VHE
2	382-200-449	Complete Conversion Kit From Cycle Pilot System To Gold Control HSI (Natural Gas) - (Includes: Module, Gas Valve, Wiring, Hardware and Instructions) Gas Valve Included	HE/ VHE
N/S	382-200-450	Complete Conversion Kit From Cycle Pilot System To Gold Control HSI (Propane Gas) This Kit Along With Gas Valve - No Longer Available - No Replacement	HE/ VHE
	382-200-448	Conversion Kit From Honeywell S9301A or Gold Control 1013 -100 To Gold Control 1013-200 - (Includes: Module, Wiring and Instructions)	HE II

HE / HEII / VHE - Series 1 Through 3 Blower Assembly Parts

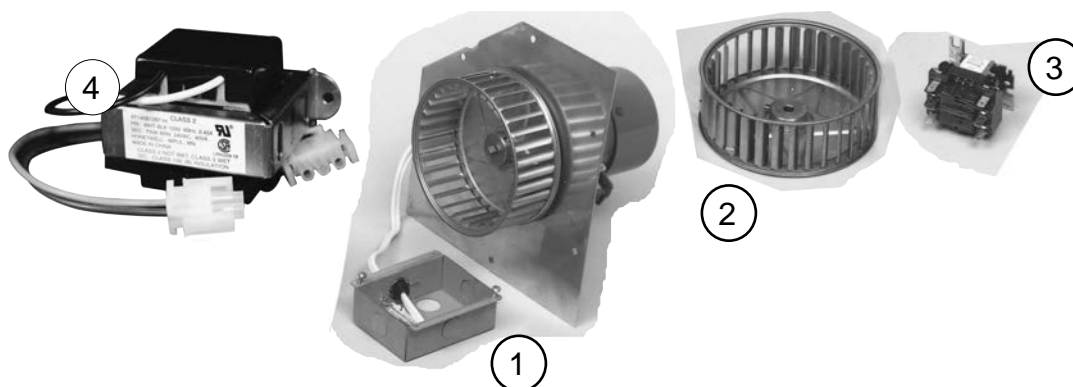


Fig. No.	Part No.	Description	Boiler Model
1	510-312-312	Blower Assembly (Includes: Mounting Plate, Hardware, Motor and Wheel) - All Boilers	HE/HE-II
2	510-312-322	Blower Wheel (Galvanized Steel, 5.75" Diameter, 5/16" Shaft)	HE/HE II
1	510-312-317	Blower Assembly (Includes: Mounting Plate, Hardware, Motor and Wheel) - All Boilers	VHE
2	510-312-279	Blower Wheel (Stainless Steel, 5.72" Diameter, 5/16" Shaft)	VHE
N/S	699-999-022	Starter/Termination Kit (Includes: Starter Tee, Termination Coupling, Sealant and Instructions) (Saf-T- Vent Only).	HE/VHE
	699-999-036	Starter/Termination Kit (Includes: Starter Tee, Termination Coupling, Sealant and Instructions) (Z- Vent Only).	HE/VHE
	699-999-024	Starter Kit (Includes: Starter Tee, Sealant and Instructions) (Saf-T- Vent Only).	HE II
	699-999-034	Starter Kit (Includes: Starter Tee, Sealant and Instructions) (Z- Vent Only).	HE II
Electrical Components			
N/S	510-312-166	Combination Transformer-Relay Receptacle, 120/24 Volt, 40 VA	HE/VHE HE/VHE HE/VHE
3	510-350-223	Plug In Relay, DPST, 24 Volt Holding Coil	HE/VHE
N/S	510-312-167	Complete Transformer and Relay	HE/VHE
4	511-842-370	24 Volt Step Down Transformer, 40 VA	HE II
N/S	512-050-230	Fuse Thermal Roll-Out, 228°C	ALL
	592-900-015	Oil Lubricant - Anderol 465 - 3oz.	All

Note: Original draft inducer motor was Fasco # 7121-5750, Currently using Fasco # 7162-1335.

HE / HEII / VHE - Series 1 Through 3 Water Trim Parts



Fig. No.	Part No.	Description
1	510-312-015	High Limit Temperature Control (SPST, Automatic Recycle, 100-240°F Range, 5-30° Range Adjustable Differential, Compatible With Existing Well) With Instructions
2	383-500-095	ASME Pressure Relief Valve, ¾" N.P.T., Male Inlet, Side Outlet, Brass, Set To Relieve At 30 PSIG
3	510-218-099	Combination Pressure/Temperature Gauge, 3.12" Dial, 0-170 PSIG, 60-320°F Short Shank, ¼" N.P.T. Back Connection
4	511-210-423	Drain Valve, ¾" N.P.T., 1 ½" Shank
5	511-405-113	Circulator, 1/25 HP, 115/60/1 Motor, 3250 RPM, .70 Amps
	511-405-115	Circulator, 1/12 HP, 115/60/1 Motor, 1725 RPM, 1.75 Amps
6	590-317-543	Circulator Gasket, For Taco 007 and Un 110 Circulators – (2- Required Per Unit)
	590-317-535	Circulator Gasket, For B&G LR-20 Circulators – (2- Required Per Unit)
	590-317-542	Circulator Gasket, for B&G 100 Series Circulators – (2- Required Per Unit)
7	381-354-525	1" Universal Circulator Hardware Kit (Includes: Screws, Nuts, (1) Flange and (1) Gasket)
7	381-354-526	1¼" Universal Circulator Hardware Kit (Includes: Screws, Nuts, (1) Flange and (1) Gasket)
ADDITIONAL WATER TRIM COMPONENTS		
8	510-148-567	Automatic Air Vent, Float Type, ⅛" N.P.T.
N/S	561-013-849	Reducing Coupling, ½" X ⅛" N.P.T. For Taco Air Vent

HE / HEII / VHE - Series 1 Through 3
 Water Trim Parts Continued

Fig. No.	Part No.	Description
9	510-632-088	Fill-Trol Diaphragm Expansion Tank With O-ring – (Tank Only)
	510-632-089	Fill-Trol Diaphragm Expansion Tank With O-ring – (Tank Only)
10	511-210-434	Fill Valve Angle Style-90 With Built-in Strainer, Pressure Reducer, Check Valve Requires User Provided Shut-Off Valve

HE / HEII / VHE - Series 1 Through 3 Pressure Switches

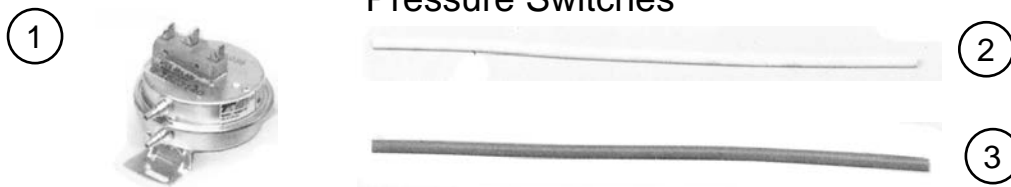


Fig. No.	Part No.	Description	Model
1	511-624-541	Pressure Differential Switch, SPDT, 1.05" Setting, 0 – 4000' Ft Elevation	HE-Series 1&2-(ALL)
	511-624-545	Pressure Differential Switch, SPDT, 0.95" Setting, 4000 – 8000' Ft Elevation	HE-Series 2-(ALL)
	511-624-544	Pressure Differential Switch, SPDT, 0.85" Setting, 8000 – 12000' Ft Elevation	HE-Series 2-(ALL)
	511-624-510	Pressure Differential Switch, SPDT, 1.00" Setting, 0 – 4000' Ft Elevation	HE-Series 3, HE-II – Sizes (3,4,5)
	511-624-511	Pressure Differential Switch, SPDT, 0.90" Setting, 4000 – 8000' Ft Elevation	HE-Series 3, HE-II – Sizes (3,4,5)
	511-624-512	Pressure Differential Switch, SPDT, 0.80" Setting, 8000 – 12000' Ft Elevation	HE-Series 3, HE-II – Sizes (3,4,5)
	511-624-511	Pressure Differential Switch, SPDT, 0.90" Setting, 0 - 4000' Ft Elevation	HE-Series 3, HE-II – Size (6)
	511-624-512	Pressure Differential Switch, SPDT, 0.80" Setting, 4000 - 8000' Ft Elevation	HE-Series 3, HE-II – Size (6)
	511-624-513	Pressure Differential Switch, SPDT, 0.70" Setting, 8000 – 12000' Ft Elevation	HE-Series 3, HE-II – Size (6)
	511-624-549	Pressure Differential Switch, SPDT, 1.47" Setting, 0 - 4000' Ft Elevation	VHE-Series 1 (ALL)
	511-624-548	Pressure Differential Switch, SPDT, 1.15" Setting, 0 - 4000' Ft Elevation	VHE-Series 2 (ALL)
	511-624-541	Pressure Differential Switch, SPDT, 1.05" Setting, 4000 - 8000' Ft Elevation	VHE-Series 2 (ALL)
	511-624-545	Pressure Differential Switch, SPDT, 0.95" Setting, 8000 - 12000' Ft Elevation	VHE-Series 2 (ALL)
	511-624-514	Pressure Differential Switch, SPDT, 1.26" Setting, 0 - 4000' Ft Elevation	VHE-Series 3 (ALL)
	511-624-548	Pressure Differential Switch, SPDT, 1.15" Setting, 4000 - 8000' Ft Elevation	VHE-Series 3 (ALL)
	511-624-541	Pressure Differential Switch, SPDT, 1.05" Setting, 8000 - 12000' Ft Elevation	VHE-Series 3 (ALL)
2	590-317-630	Pressure Differential Switch Tubing, 1/8" I.D. X 12" Long, White	HE/VHE/HE-II
3	590-317-631	Pressure Differential Switch Tubing, 1/8" I.D. X 12" Long, Red	HE/VHE/HE-II

EG - Series 2 Through 4 Water Trim Parts



Fig. No.	Part No.	Description
Temperature Controls For All EG Water Boilers Without Tankless Heaters (Except EG-75 Standing Pilot)		
1	510-312-209	High Limit Temperature Control SPST (Automatic Recycle, 140-240°F 10°F Fixed Subtractive Differential With 3/4" N.P.T. Well)
Temperature Controls For EG-75 Standing Pilot		
2	510-312-150	Combination Operating Limit (140-240°F Range) and Fixed High Limit (240°F Temperature Control, Auto Recycle, DPST, With 3/4" Well. Fixed High Limit, Furnished With Wire Leads For Connection To Thermocouple Spade Terminal Block)
Temperature Controls For All EG Water Boilers With Tankless Heaters		
N/S	510-312-249	Combination High Limit / Low Limit / Circulator Control with Transformer (High Limit: SPST Automatic Recycle, 140-240°F Range, 10°F Subtractive Differential) (Low Limit / Circulator Control: SPDT, Automatic Recycle, 100-200°F Range, 10-35°F Adjustable Differential)

EG - Series 2 Through 4 Water Trim Parts Continued

Fig. No.	Part No.	Description
Trim For All EG Water Boilers		
3	383-600-091	ASME Pressure Relief Valve (Set To Relieve At 30 PSIG, ¾" N.P.T., Female Inlet) All Size EG's
4	510-218-097	Combination Pressure-Temperature Gauge (2½" dial, 0-75 PSIG, Long Shank, ¼" N.P.T. Back Connection) All Size EG's
5	511-210-423	Drain Valve, ¾" N.P.T., 1½" Shank
N/S	510-148-567	Automatic Air Vent, Float Type, ⅛" N.P.T.
	590-921-904	Tankless Heater For EG 35-45 Water Boiler (Includes: Heater, Gasket, Nuts and Studs) EG-30 Thru 45
	590-921-905	Tankless Heater For EG 50-55 Water Boiler (Includes: Heater, Gasket, Nuts and Studs) EG-50 & 55
	590-921-901	Tankless Heater For EG 65-75 Water Boiler (Includes: Heater, Gasket, Nuts and Studs) EG- 65 & 75
	592-300-027	Immersion Well ¾" N.P.T. X 6.25" In Length
	560-340-577	Stud 3/8-16 NC-2A X 1.12" Long With 3/8-16 NC Brass Nut (6 Required)
	590-317-495	Round Tankless Heater Gasket

EG - Series 2 Through 4 Steam Trim Parts

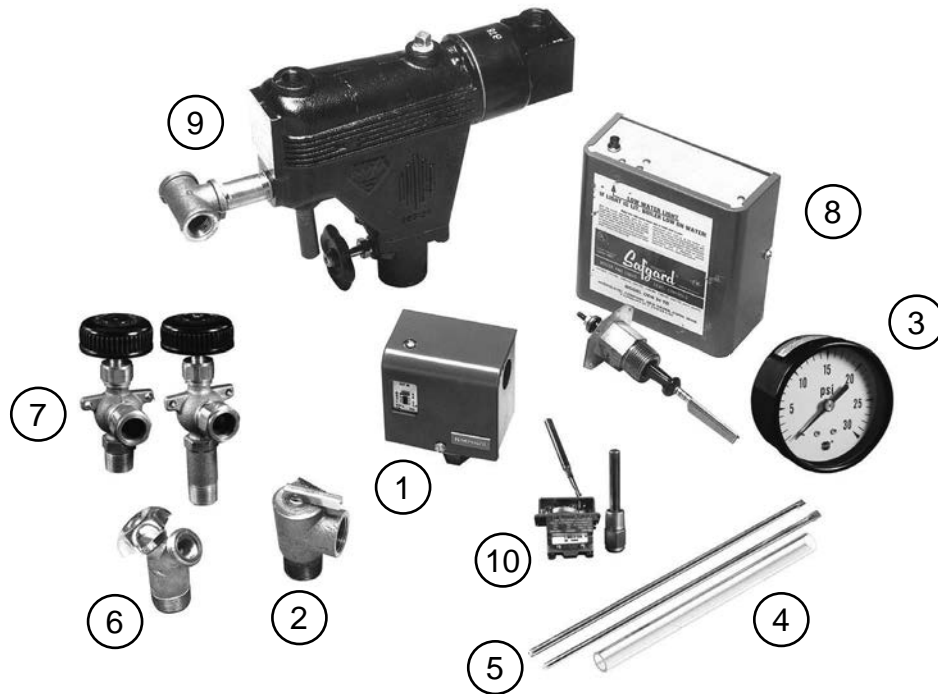


Fig. No.	Part No.	Description
1	510-312-135	High Pressure Limit Control (SPST, Automatic Recycle, 0-15 PSIG Range, 1-5 PSIG Differential, 1/4" N.P.T. Bottom Connection)
2	383-600-106	ASME Steam Relief Valve (Set To Relieve At 15 PSIG, 3/4" N.P.T. Male Inlet) 375 lbs Per Hour Rating
3	510-218-045	Steam Pressure Gauge (0-3- PSIG, 2 1/2" Dial, 1/4" N.P.T. Male Inlet)
4	383-600-000	Water Gauge Glass Kit (5/8" X 7 3/8" With Gaskets and Brass Washers)
5	563-334-580	Water Gauge Glass Guard (3/16" X 9 3/8" (2 Required)
6	511-210-423	Drain Valve, 3/4" N.P.T., 1 1/2" Shank
N/S	590-921-903	Tankless Heater Steam Boiler (Includes: Heater, Gasket, Nuts and Studs) For EG-35 thru EG-75
Water Gauge Glass Cocks For Electrode Type Low Water Cut-Off		
7	510-218-145	Water Gauge Glass Cocks, 1/2" N.P.T. Male Inlet (Set of 2)
Water Gauge Glass Cocks For # 67 Float Type Low Water Cut-Off		
7	510-218-135	Water Gauge Glass Cocks, 1/2" N.P.T. Male Inlet (Set of 2)
Electrode Type Low Water Cut-Off Components		
8	510-811-403	Low Water Cut-Off, Electrode Type, SPDT, 24 Volt, 3/4" Male N.P.T, With Instructions, Adapter, and Bushing
Float Type Low Water Cut-Off Components For EG Steam Boilers		
9	511-114-494	Float Type Low Water Cut-Off (SPDT, Automatic Recycle, 15 PSIG Rated, 24 or 120 Volt Contact Rating, 1/2" N.P.T. With Quick Hook-up Fittings) For EG Steam Except Millivolt

EG - Series 2 Through 4
Steam Trim Parts Continued

Fig. No.	Part No.	Description
Tankless Heater Operating Temperature Control		
10	510-312-250	Operating Temperature Control (SPST, Automatic Recycle, 140-250°F Range, With ¾" N.P.T. Control Well, 10° Fixed Subtractive Differential)
Probe Type Low Water Cut-off For EG Steam Boilers Series 4 Only		
8	511-114-515	Low Water Cut-Off, SPDT, ¾" Male Electrode Type, 24 Volt
	511-114-516	Low Water Cut-Off, SPDT, ¾" Male Electrode Type, 24 Volt
Additional Parts		
N/S	560-340-577	Tankless Stud and Nut
	590-317-550	Rectangular Heater Gasket
	560-640-696	90° Syphon, ¼" Brass Pipe

EG - Series 2 Through 4 Standing Pilot Parts

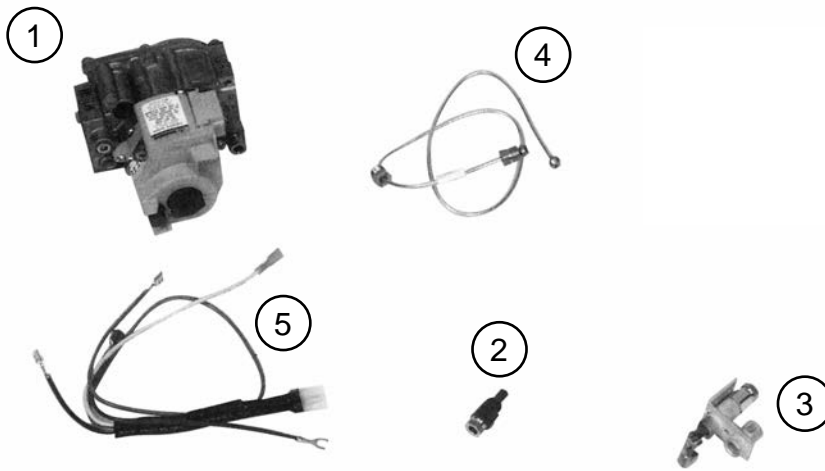


Fig. No.	Part No.	Description	EG Boiler Size							
			30	35	40	45	50	55	65	75
Components For Natural Gas Only										
1	511-044-360	Combination Gas Control Valve, 1/2" x 1/2" N.P.T., 24 Volt	X	X	X	X	X			
	511-044-256	Combination Gas Control Valve, 3/4" x 3/4" N.P.T., 24 Volt						X	X	
	510-811-641	Combination Gas Control Valve*, 3/4" x 1" N.P.T., 24 Volt Thermopile Only								X
2	560-528-950	Natural Gas Pilot Orifice, .026 Dia. (For Q-327 Pilot)								X
N/S	510-811-640	Natural Gas Pilot Replacement Kit (Includes: Slotted Main Burner With Pilot Bracket, Pilot Assembly - Q350, Thermocouple And Tubing with Fittings)	X	X	X	X	X	X	X	
	560-528-980	Natural Gas Pilot Orifice, .018" Dia. (For E-38 Pilot Only) (Series 2)	X	X	X	X	X	X	X	
	511-724-254	Thermocouple Screw-In 30"	X	X	X	X	X	X	X	
	510-811-461	Thermocouple To Thermopile Conversion Kit for Natural Gas. Includes Gas Valve, Bushing, Lead Wire, Thermopile, and Instructions								

EG - Series 2 Through 4 Standing Pilot Parts Continued

Fig. No.	Part No.	Description	EG Series 4 Boiler Size							
			30	35	40	45	50	55	65	75
Components For Propane Gas Only										
1	381-356-534	Combination Gas Control Valve ½" x ½" N.P.T., 24 Volt, Step Open	X	X	X	X	X	X	X	
	510-811-643	Combination Gas Control Valve, ¾" x 1" N.P.T., 24 Volt								X
N/S	510-811-462	Thermocouple To Thermopile Conversion Kit for Propane Gas. Includes Gas Valve, Bushing, Lead Wire, Thermopile, and Instructions								X
2	560-528-985	Propane Gas Pilot Orifice. 0.010" Dia. (For E-38 Pilot Only)	X	X	X	X	X	X	X	
	560-528-957	Propane Gas Pilot Orifice. 0.010" Dia. (For Q327 Pilot)								X
N/S	510-811-642	Propane Gas Pilot Replacement Kit (Burner w/Bracket Pilot Assembly - Q350, & Fittings)	X	X	X	X	X	X	X	X
	511-724-253	Thermocouple, 48" Long (Clip In)	X	X	X	X	X	X	X	X
Components For Natural Gas And Propane										
3	511-330-197	Pilot Burner, Constant Burning	X	X	X	X	X	X	X	
	511-330-186	Pilot burner, Constant Burning								X
N/S	511-724-259	Thermopile, 36"								X
	590-850-561	5" lead Wire								X
4	560-742-860	Pilot Tubing, Aluminum ½ " OD x 22 ¾" Long With Compression Fittings	X	X	X	X	X	X	X	X
5	540-130-955	Wiring Harness For Water Boilers No Tankless Heater Only-Series 4	X	X	X	X	X	X	X	X
	540-130-956	Wiring Harness For Water Boilers With Tankless Heater Only-Series 4		X	X	X	X	X	X	
	540-130-957	Wiring Harness For Steam Boilers With Float LWCO Only-Series 4	X	X	X	X	X	X	X	X
	540-130-958	Wiring Harness For Steam Boilers With Probe LWCO Only-Series 4	X	X	X	X	X	X	X	X
	591-391-780	Control Wiring Harness-Series 3	X	X	X	X	X	X	X	X
N/S	510-811-395	Natural to LP Kit - (Includes Gas Valve, Burner w/ Pilot Bracket, Pilot Assembly w/ Tubing,Orifices, Thermocouple,Hardware, and Instructions)	X	X	X	X	X			
	510-811-396							X	X	
	510-811-397									X
	510-811-398	LP to Natural Kit - (Includes Gas Valve, Burner w/ Pilot Bracket, Pilot Assembly w/ Tubing, Orifices, Thermocouple, Hardware,and Instructions)	X	X	X	X	X			
	510-811-399							X	X	
	510-811-402									X

EG - Series 2 Through 4 Intermittent Ignition Parts

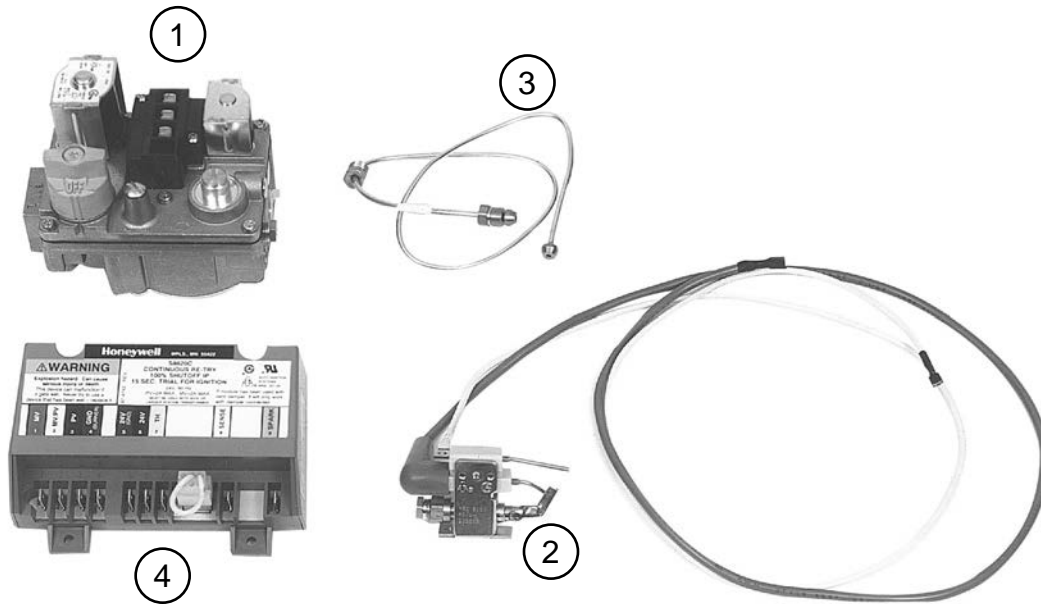


Fig. No.	Part No.	Description	Boiler Size							
			30	35	40	45	50	55	65	75
White Rodgers Cycle Pilot / Honeywell Intermittent Ignition										
NS	510-811-458	Conversion Kit From Cycle Pilot or Honeywell To United Technology Spark Pilot System. (Includes: Control Module, 1/2" Natural Gas Valve, Pilot Assembly, Wiring and Instructions)	X	X	X	X	X			
	510-811-459	Conversion Kit From Cycle Pilot or Honeywell To United Technology Spark Pilot System. (Includes: Control Module, 3/4" Natural Gas Valve, Pilot Assembly, Wiring and Instructions)						X	X	X
United Technologies Universal Control System										
1	511-044-381	Combination Gas Control Valve, 1/2" x 1/2" N.P.T., 24 Volt	X	X	X	X	X			
	511-044-382	Combination Gas Control Valve, 3/4" x 3/4" N.P.T., 24 Volt						X	X	X
2	511-330-218	Pilot Assembly Kit (Includes: Orifice, Aluminum Pilot Gas Tubing, And Spark Wire and Sense Wire)	X	X	X	X	X	X	X	X
3	560-742-860	Pilot Tubing With Compression Fittings, Aluminum, 1/8" x 22 3/4"	X	X	X	X	X	X	X	X
4	511-330-095	Ignition Sensing Control Module With 24 Volt Damper Molex (Replaces Honeywell S8620C1011)		X	X	X	X	X	X	X

EG - Series 2 Through 4 Intermittent Ignition Parts Continued

Fig. No.	Part No.	Description	Boiler Size							
			30	35	40	45	50	55	65	75
United Technologies Universal Control System Cont.										
4	511-330-097	Ignition Control Module Without Molex, 24 Volt. Series 4 Only	X	X	X	X	X	X	X	X
N/S	540-130-959	Wiring Harness, For Water Boilers Without Tankless Heater Only-Series 4 Only	X	X	X	X	X	X	X	X
	540-130-960	Wiring Harness, For Water Boilers With Tankless Heater Only-Series 4 Only		X	X	X	X	X	X	
	540-130-961	Wiring Harness For Steam Boilers With Float LWCO Only-Series 4 Only	X	X	X	X	X	X	X	X
	540-130-962	Wiring Harness For Steam Boilers With Probe LWCO Only-Series 4 Only	X	X	X	X	X	X	X	X

EG- Series 2 Through 4 Common Parts

Part No.	Description	Boiler Size							
		30	35	40	45	50	55	65	75
591-391-795	Damper Wiring Harness With Molex	X	X	X	X	X	X	X	X
510-512-337	Vent Damper Motor Operator With Molex Connector	X	X	X	X	X	X	X	X
		X	X	X	X	X	X	X	X
381-800-475	Vent Damper Assembly 5" Dia	X	X						
381-800-476	Vent Damper Assembly 6" Dia			X	X				
381-800-477	Vent Damper Assembly 7" Dia					X	X		
381-800-478	Vent Damper Assembly 8" Dia							X	X
512-050-230	Rollout Thermal Fuse 228° C	X	X	X	X	X	X	X	
510-300-013	Spill Switch With Reset, 210° F	X	X	X	X	X	X	X	
510-312-166	Combination Transformer-Relay Receptacle, 120/24v, 40va With Bale Wire	X	X	X	X	X	X	X	X
510-350-223	Plug-In Relay DPST, 24 Volt Coil	X	X	X	X	X	X	X	X

EG - Series 2 & 3 Millivolt Parts

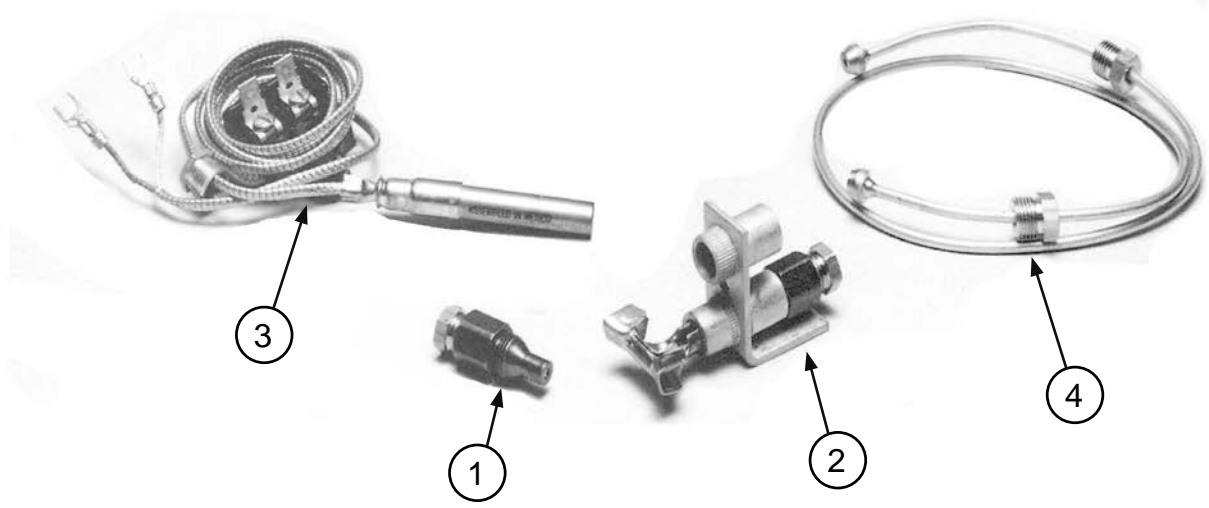


Fig. No.	Part No.	Description	Boiler Size							
			30	35	40	45	50	55	65	75
Components For Natural Gas Only										
1	560-528-950	Natural Gas Pilot Orifice, A26, 0.026 Dia. For Q327 Pilot Only	X	X	X	X	X	X	X	X
Components For Propane Gas Only										
1	560-528-957	Propane Gas Pilot Orifice, 0.010 Dia. For Q327 Pilot Only	X	X	X	X	X	X	X	X
Components For Natural And Propane Gas										
2	511-330-186	Pilot Burner, Constant Burning, Thermally Supervised	X	X	X	X	X	X	X	X
3	511-724-249	Powerpile Millivolt Generator, With Spade Terminal Block, 35" long	X	X	X	X	X	X	X	X
4	560-742-860	Pilot Tubing With Compression Fittings, 1/8" OD Aluminum, 22 3/4" long	X	X	X	X	X	X	X	X
N/S	381-800-001	Millivolt Repair Kit- Natural Gas Water Only- (Includes Gas Valve, Pilot Burner, Thermopile, Aquastat, Hardware and Instructions)	X	X	X	X	X	X	X	
	381-800-002	Millivolt Repair Kit- Propane Gas Water Only- (Includes Gas Valve, Pilot Burner, Thermopile, Aquastat, Hardware and Instructions)	X	X	X	X	X	X	X	

EGH - Series 2 Through 4 Standing Pilot Parts

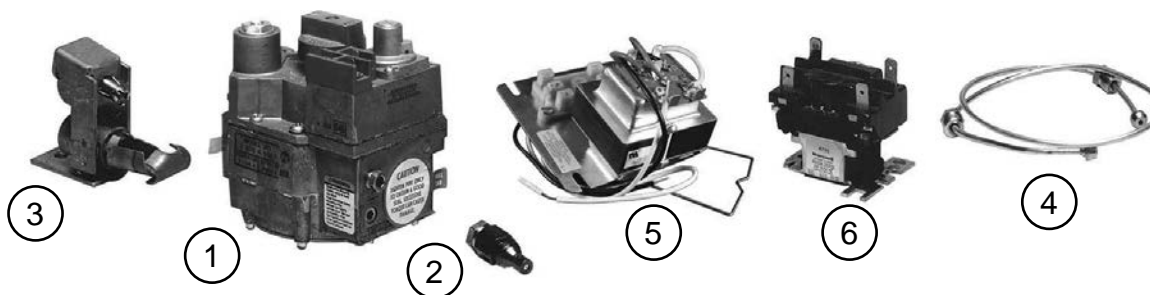
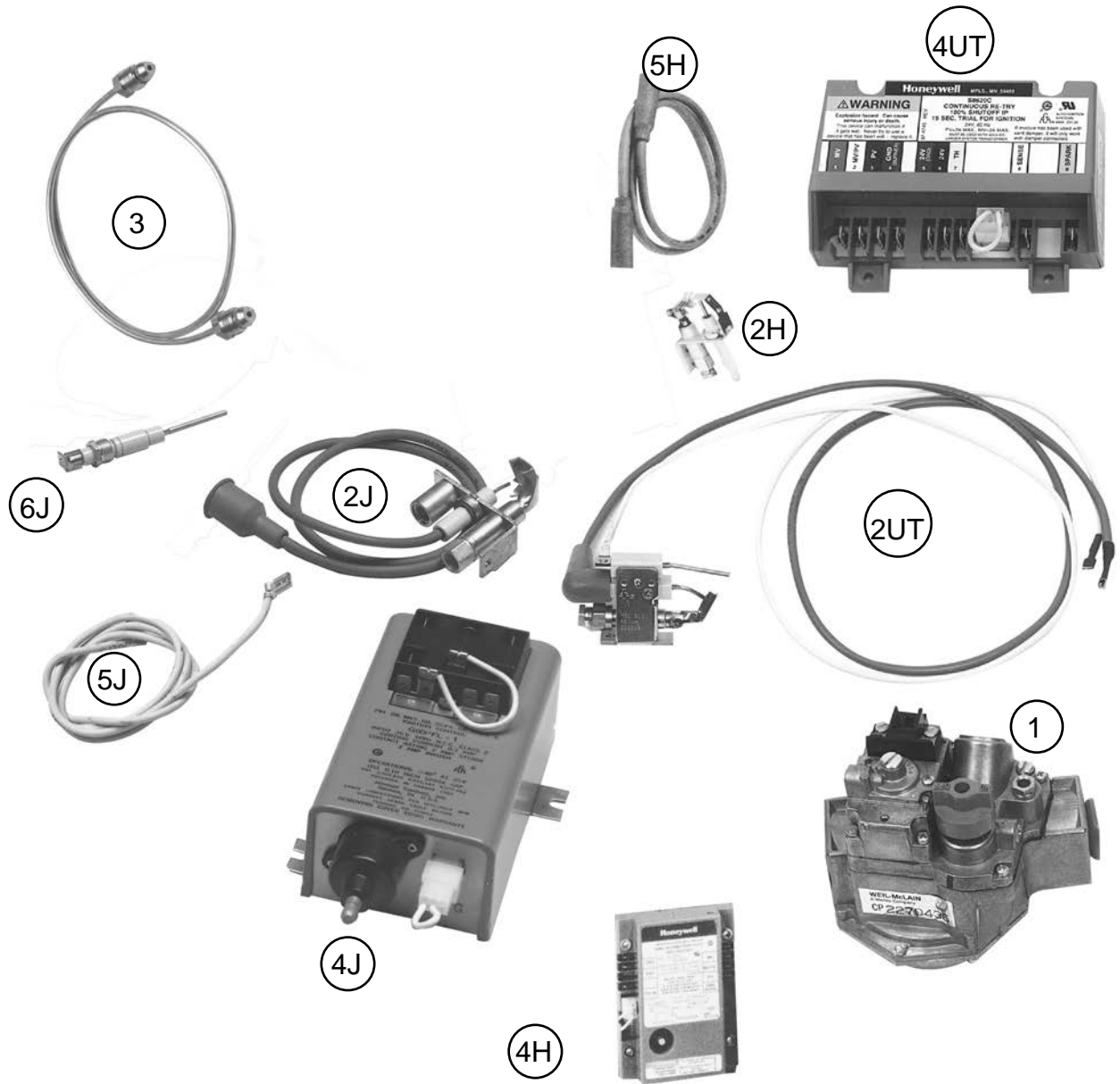


Fig. No.	Part No.	Description	Boiler size				
			85	95	105	115	125
Components For Natural Gas Only							
1	510-811-461	Thermocouple to Thermopile Conversion Kit (Includes: New Gas Valve, Thermopile, Lead Wire Assembly and Instructions)	X	X			
	510-811-641	Combination Gas Control Valve*, 3/4" X 1" N.P.T., 24 Volt, Thermopile Only	X	X			
2	560-528-950	Natural Gas Pilot Orifice, A26, .027"	X	X			
Components For Propane Gas Only							
1	510-811-462	Thermocouple to Thermopile Conversion Kit (Includes: New Gas Valve, Thermopile, Lead Wire Assembly and Instructions)					
	510-811-643	Combination Gas Control Valve*, 3/4" X 1" N.P.T., 24 Volt, Thermopile Only	X	X			
2	560-528-957	Propane Gas Pilot Orifice	X	X			
Components For Natural Gas And Propane Gas							
3	511-330-186	Pilot Burner (Constant Burning, Thermally Supervised)	X	X			
N/S	511-724-259	Thermopile, 36" In Length	X	X			
	590-850-561	5" Lead Wire With Terminals	X	X			
4	560-742-865	Pilot Tubing, 1/8" X 34" Long With Fittings	X	X			
N/S	510-811-397	Natural to Propane Conversion Kit (Includes Gas Valve, Orifices, Thermopile, and Instructions)	X	X			
	540-130-963	Wiring Harness For Water Boilers Without Tankless Heater Only	X	X			
	540-130-964	Wiring Harness For Steam Boilers With Float LWCO Only	X	X			
	540-130-965	Wiring Harness For Steam Boilers With Probe LWCO Only	X	X			
5	510-312-166	Combination Transformer & Relay Receptacle, 120/24 Volt, 40 VA With Bale Wire	X	X			
6	510-350-223	Plug In Relay, DPST, 24 Volt Coil	X	X			

EGH - Series 2 Through 4 Intermittent Ignition



EGH - Series 2 Through 4 Intermittent Ignition Parts

Fig. No.	Part No.	Description	Boiler size				
			85	95	105	115	125
United Technologies Intermittent Ignition							
2-UT	511-330-242	Pilot Burner Assembly Kit (Includes: Orifice, Pilot Burner, 34" Pilot Gas Tubing, Spark Wire and Sense Wire, and 1/4" Adapter)	X	X	X	X	X
4-UT	511-330-095	Ignition-Sensing Control Module With Molex	X	X	X	X	X
Honeywell Intermittent Ignition							
2-H	511-330-170	Combination Safety Pilot Burner with Ignition-Sensing Electrode and Natural Gas Orifice	X	X	X	X	X
5-H	591-391-798	Ignition-Sensing Cable, 36"	X	X	X	X	X
Johnson Intermittent Ignition							
2-J	511-330-163	Pilot Burner (Includes: Ignition Electrode and Lead Cable, Sensing Probe and Lead Wire and Natural Gas Orifice)	X	X	X	X	X
5-J	511-724-270	Sensing Probe Lead Wire, 30" With Spade Receptacle	X	X	X	X	X
6-J	511-724-264	Sensing Probe With Spade Receptacle	X	X	X	X	X
Common Intermittent Ignition Components							
1	511-044-286	Combination Gas Valve 3/4" X 1" N.P.T., Natural Gas, 24 Volt	X	X			
	511-044-287	Combination Gas Valve 1" X 1" N.P.T., Natural Gas, 24 Volt			X	X	X
3	560-742-865	Pilot Tubing 1/8" X 34" Long With Compression Fittings	X	X	X	X	X
4-J	510-811-457	Conversion Kit to United Technologies Control (Includes: Module, Wiring, Pilot Burner, and Instructions.) No Gas Valve, Only to Replace Honeywell or Johnson Controls	X	X	X	X	X
Components For Series 4 Intermittent Ignition Only							
4-H	511-330-097	Ignition Control Module Without Molex, 24 Volt	X	X	X	X	X
N/S	540-130-966	Wiring Harness For Water Boilers With-Out Tankless Heater Only	X	X	X	X	X
	540-130-969	Wiring Harness For Water Boilers With Tankless Heater Only	X	X	X	X	X
	540-130-967	Wiring Harness For Steam Boilers With Float LWCO Only	X	X	X	X	X
	540-130-968	Wiring Harness For Steam Boilers With Probe LWCO Only	X	X	X	X	X
	510-811-390	Natural to Propane Conversion Kit, EGH-85 & 95.(Includes: Gas Valve, Pilot Burner, Orifices, and Instructions)	X	X			
	510-811-391	Natural to Propane Conversion Kit, EGH-105-125.(Includes: Gas Valve, Pilot Burner, Orifices, and Instructions)			X	X	X

EGH - Series 4 Intermittent Ignition LP Gas

Fig. No.	Part No.	Description	EGH Series 4 Boiler Size				
			85	95	105	115	125
N/S	511-246-320	¾" Hand Valve With ⅛" tapping	X	X			
	511-246-325	1" Hand Valve With ⅛" tapping			X	X	X
	511-044-278	LP Gas Valve, ¾" x 1" Spark Pilot	X	X			
	511-044-279	LP Gas Valve, 1" x 1" Spark Pilot			X	X	X
	511-330-222	LP Spark Pilot Burner (Includes: Sparker, Sensor, Wires, Pilot Tubing and Pilot Burner)	X	X	X	X	X
	560-742-865	⅛" x 34" Pilot Tubing For Spark Pilot Burner	X	X	X	X	X
	511-330-186	LP Standing Pilot Burner (Includes: Orifice and Pilot Burner & Bracket)	X	X	X	X	X
	560-528-957	Propane Gas Pilot Orifice, .010 Dia. (For Q0327 Pilot, Below)	X	X	X	X	X
	511-246-340	⅛" x ¼" Manual Pilot Shut Off Valve	X	X	X	X	X
	511-724-254	Thermocouple, Screw In, 30°	X	X	X	X	X
	511-330-229	Pilot Switch Box For Standing Pilot	X	X	X	X	X
EGH - CSD-1 Intermittent Ignition Natural Gas Only							
N/S	511-330-086	Control Module, 1 Retry With Alarm Contacts			X	X	X
	510-350-226	Impulse Relay			X	X	X
	511-624-580	Push Button Switch			X	X	X
	511-624-581	Red Lens Cover			X	X	X
		Lamp, 24 Volt--Available Locally			X	X	X
	511-044-287	Combination Gas Valve, 1" x 1", 24 Volt			X	X	X
	511-246-290	Hand Valve, 1"			X	X	X
	511-246-325	Hand Valve, 1" With Two ⅛" N.P.T Taps			X	X	X
	511-246-339	Pilot Shut-off Valve, ⅛" N.P.T x ¼" Compression			X	X	X
	510-933-195	Pilot Regulator, ¼" N.P.T			X	X	X
	511-044-039	Pilot Solenoid Valve ¼" N.P.T			X	X	X
	591-391-887	Wiring Harness, Gravity Return Steam			X	X	X
	540-130-976	Wiring Harness, Pumped Steam Return With Wiring Diagram					

EGH - Series 2 Through 4 Water Trim Parts



Fig. No.	Part No.	Description	Boiler size				
			85	95	105	115	125
Temperature Controls For Standard Model Boilers							
1	510-312-150	Combination Operating Limit (140-240°F Range) and Fixed High Limit (240° F) Temperature Control, Auto Recycle, DPST, With ½" Well. Furnished With Wire Leads For Connection To Thermocouple Spade Terminal Block	X	X			
Temperature Controls For PI And PID Boilers Without Tankless Heaters							
2	510-312-250	Operating Temperature Control, SPST, Auto Recycle, 140-240°F Subtractive Differential With ½" N.P.T Well	X	X	X	X	X
	510-312-209	High Limit Temperature Control SPST, Automatic Recycle, 140-240°F, 10°F Fixed Subtractive Differential With ¾" N.P.T well	X	X	X	X	X
Temperature Controls For Standard Model, PI And PID Boilers With Tankless Heaters							
N/S	510-312-249	Combination High / Low Limit / Circulator Control With Transformer. High Limit: SPST Automatic Recycle, 140-240°F Range, 10°F Subtractive Differential. Low Limit / Circulator Control: SPDT, Automatic Recycle, 100-200°F Range, 10-35°F Adjustable Differential	X	X	X	X	X
	592-300-027	Immersion Well, ¾" N.P.T. X 6.25" In Length	X	X	X	X	X
Water Trim Components Common To All Boilers							
3	383-600-091	ASME Pressure Relief Valve (Set To Relieve At 30 PSIG, ¾" N.P.T, Female Inlet)	X	X	X	X	X
4	510-218-097	Combination Pressure-Temperature Gauge 2½ " Dial, 0-60 PSIG, Long Shank, ¼" N.P.T Back Connection	X	X	X	X	X
5	511-210-423	Drain Valve, ¾" N.P.T, 1½" Shank	X	X	X	X	X

EGH - Series 2 Through 4
Water Trim Continued

Water Trim Components Common To All Boilers							
N/S	590-921-901	Tankless Heater for EGH 85-125 Water Boiler (Includes: Heater, Gasket, Nuts and Studs)	X	X	X	X	X
	590-317-495	Tankless Gasket, Round	X	X	X	X	X

EGH - Series 2 Through 4 Steam Trim Parts

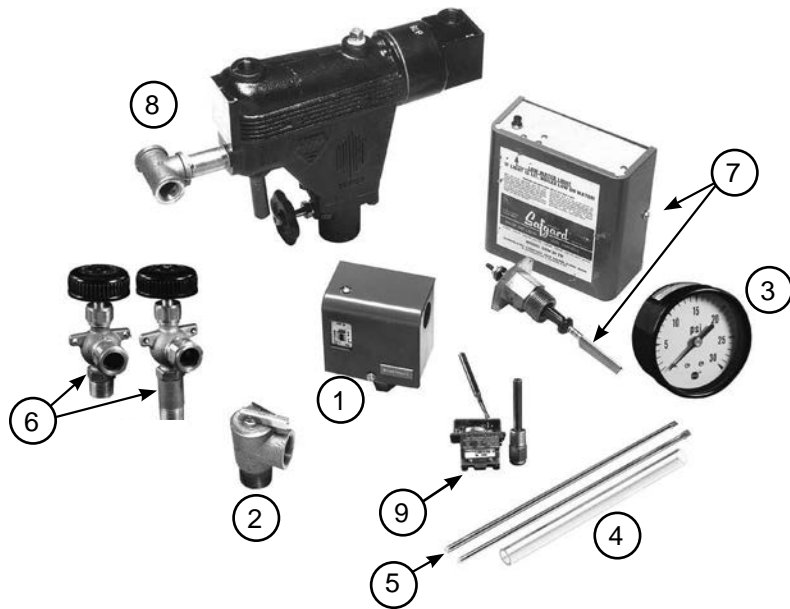


Fig. No.	Part No.	Description	EGH Series 4 Boiler Size				
			85	95	105	115	125
Trim For All EGH Steam Boilers							
1*	510-312-135	High Pressure Limit Control, SPST, Auto Recycle, 0-15 PSIG Range, 1-5 PSIG Additive Differential, 1/4" N.P.T. Bottom Connection	X	X	X	X	X
2	383-600-105	Steam Relief Valve, 15 PSIG, With 3/4" N.P.T. Male Inlet--450 LBH	X	X	X	X	X
			X	X	X	X	X
3	510-218-045	Steam Pressure Gauge 0-30 PSIG, 2 1/2" Dial, 1/4" N.P.T. Bottom Mount	X	X	X	X	X
4	383-600-000	Water Gauge Glass Kit, 5/8" x 7 3/8" With Gaskets and Brass Washers	X	X	X	X	X
5	563-334-580	Water Gauge Glass Guard, 3/8" x 9 3/8" (2 Required)	X	X	X	X	X
N/S	511-210-423	Drain Valve, 3/4" N.P.T. 1 1/2" Shank	X	X	X	X	X
Probe Type Low Water Cut-off Components For EGH Steam Boilers							
6	510-218-145	Water Gauge Glass Cocks, Set, 1/2" N.P.T., Male Inlet, Long Stem	X	X	X	X	X
			X	X	X	X	X
7*	511-114-515	Low Water Cut-off, SPDT, 3/4" Male Electrode Type, 24 volt, Series 4 Only	X	X	X	X	X
	510-811-403	Low Water Cut-Off, SPDT, 3/4" Male Electrode Type, 24 Volt	X	X	X	X	X
Float Type Low Water Cut-Off Components For EGH Steam Boilers							
6	510-218-135	Water Gauge Glass Cocks, 1/2" N.P.T. (Set of 2)	X	X	X	X	X
8	511-114-494	Float Type Low Water Cut-Off, SPDT, With Automatic Recycle, 15 PSIG, 120/24 Volt, 1/2" N.P.T With Quick Hook-Up Fittings)	X	X	X	X	X
* Alternate Components							
* Two High Limits Used With EGH-85 and EGH-95 Standing Pilot Steam Boilers							

EGH - Series 2 Through 4
 Steam Trim Parts Continued

Tankless Heater Operating Temperature Control For EGH Steam Boilers							
9	510-312-250	Operating Temperature Control, SPST, Auto Recycle, 140-240°F Subtractive Differential With ½" N.P.T. Well	X	X	X	X	X
			X	X	X	X	X
N/S	590-921-903	Tankless Heater – Steam Boiler (Includes: Heater, Gasket, Nuts And Studs)	X	X	X	X	X
	590-317-579	Gasket for Tankless Heater Opening	X	X	X	X	X

EGH - Series 2 Through 4 Common Component Parts

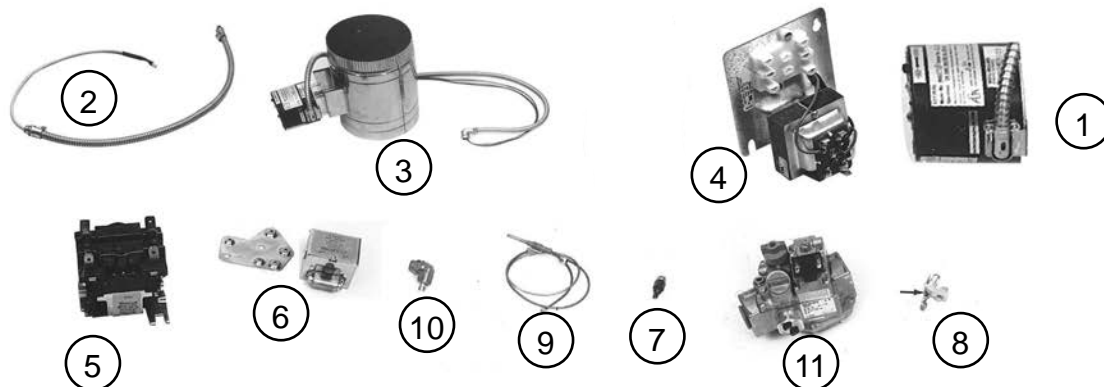


Fig. No.	Part No.	Description	Boiler size				
			85	95	105	115	125
Vent Dampers And Components							
1	510-512-337	Vent Damper Motor Operator With Molex	X	X	X	X	X
2	591-391-795	Damper Wiring Harness With Molex	X	X	X	X	X
3	381-800-445	Vent Damper Assembly With Wiring Harness, 9" Dia.	X				
	381-800-446	Vent Damper Assembly With Wiring Harness, 10"Dia.		X	X		
	381-800-447	Vent Damper Assembly With Wiring Harness, 12"Dia.				X	X
Combination Transformer Relay Receptacle							
4	510-312-166	Combination Transformer & Relay Receptacle, 120/24 Volt, 40 VA	X	X	X	X	X
Plug-In Relay							
5	510-350-223	Plug-In Relay DPST, 24 Volt Coil	X	X	X	X	X
Propane Components For EGH-PI Models							
6	511-330-229	Pilot Switch Box	X	X	X	X	X
7	560-528-957	Propane Orifice .010 Dia.(For Q327/Q348 Pilot) K14	X	X	X	X	X
8	511-330-186	Standing Pilot Burner	X	X	X	X	X
9	511-724-254	Thermocouple Lead, 30" Screw In	X	X	X	X	X
10	511-246-340	Manual Shut-off Pilot Gas Valve, 1/8" N.P.T x 1/4" CC	X	X	X	X	X
11	511-044-278	Combination Gas Control Valve, 3/4" x 1" N.P.T., 24 Volt (Propane gas)	X	X			

AHE - Series 2 & 3 Section Assembly Parts

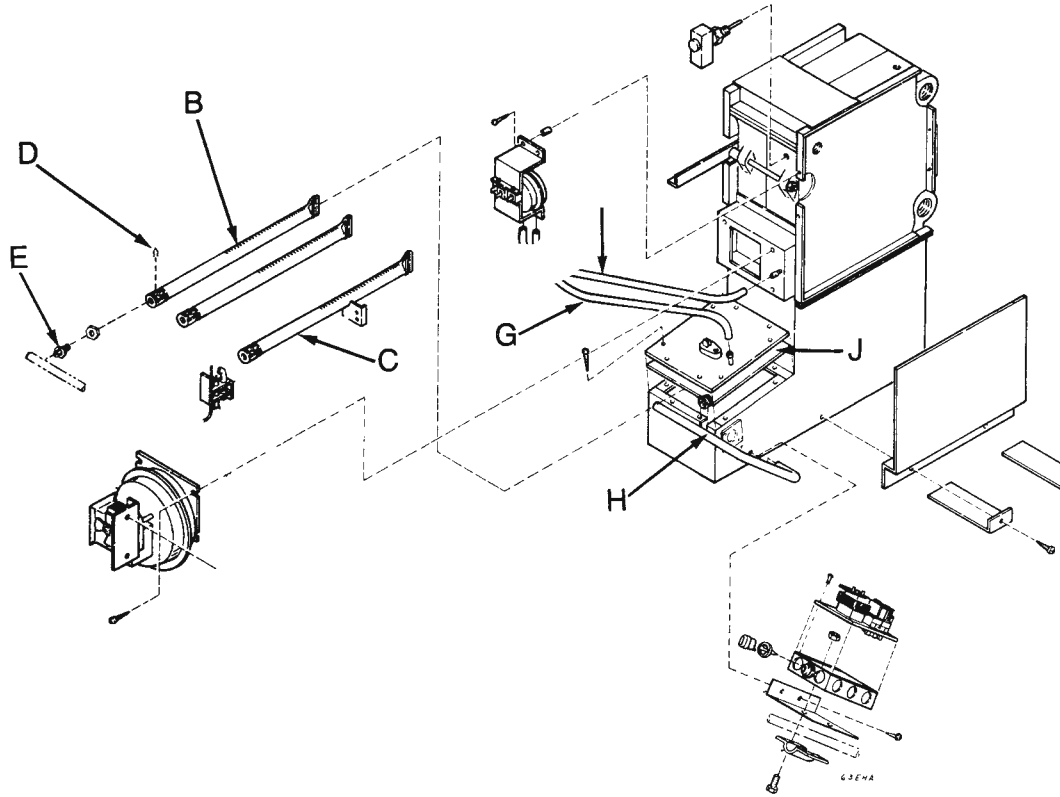


Fig. No.	Part No.	Description	Series No.
B	512-200-077	Burner, Tubular Steel, Regular	2,3
C	512-200-045	Burner, Tubular Aluminum With Pilot Bracket	2,3
D	562-610-325	Hair Pin Clip	2,3
E	560-529-018	Main Burner Orifice, Natural Gas, No. 48 Drill Size (Order Sufficient Quantities To Replace All Orifices Within a Base)	3
	560-529-019	Main Burner Orifice, Propane Gas, 1.15 mm Drill Size (Order Sufficient Quantities To Replace All Orifices Within a Base)	3
H	591-126-573	Burner Manifold - AHE-60	2,3
J	590-317-605	Gasket, Burner Inlet Plenum Cover, 6" x 6" - AHE-45	2,3
	590-317-606	Gasket, Burner Inlet Plenum Cover, 6" x 9" - AHE-60	2,3
N/S	590-317-603	Gasket, Exhaust Box To Blower	2,3
	590-317-602	Gasket, Air Box to Burner Inlet	2,3
	592-002-029	Touch Up Paint - Gold - Low E, 4.5oz Can	

Note: AHE-45 has 3 burners, AHE-60 has 4 burners. If cycle pilot, replace 1 of the aforementioned burners with a burner and pilot bracket.

AHE - Series 2 & 3 Blower / Ignition Control Parts

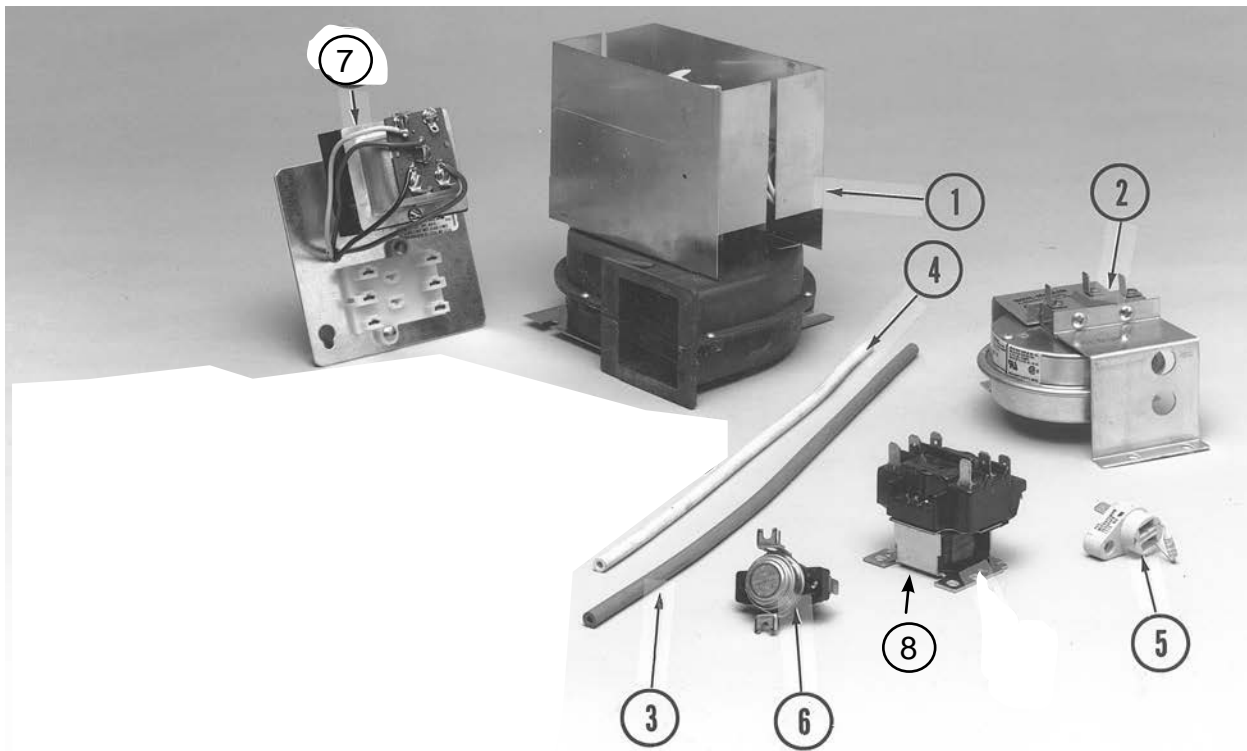


Fig No.	Part No.	Description	Boiler Size
1	510-811-466	Blower and Motor Assembly Replacement Kit (Includes: Blower Housings Left & right Mounting Plate, Blower Wheel, Blower Motor 120/60/1, Motor Fan, Guard) Series 2 & 3	45,60
2	511-624-530	Differential Pressure Switch, SPST Switch Action, 0.35" W.C. Setting, Sea Level to 4,000 ft. Elevation, Series 2 & 3	45 45
	511-624-532	Differential Pressure Switch, SPST Switch Action, 0.30" W.C. Setting, Sea Level to 4,000 ft. Elevation, Series 2 & 3	60 60
3	590-317-636	Pressure Differential Switch Tubing, 1/8" ID x 14 1/2", Red, Series 2 & 3	45,60
4	590-317-632	Pressure Differential Switch Tubing, 1/8" ID x 7", White, Series 2 & 3	45,60
5	512-050-235	Thermal Rollout Fuse, 250° F, Series 2 & 3	45,60
6	510-350-062	Low Water Cut-Off Temperature Control Device, 240° F Setting, SPST Switch Action, Manual Reset (Red Manual Reset Push Button), Series 2 & 3	45,60
			45,60
7	510-312-166	Combination Transformer-Relay Receptacle, 120/24 Volt, 40VA (With Bale Wire), Series 2 & 3	45,60
			45,65
			45,65
			45,65
Fig No.	Part No.	Description	Boiler Size
8	510-350-223	Plug-In Relay, DPST, 24 Volt Holding Coil, Series 2 & 3	45,65
			45,65
			45,65
			45,65

AHE - Series 2 & 3
Blower / Ignition Control Parts Continued

AHE - Series 2
Gas Control Parts
White-Rodgers Cycle Pilot Ignition System

Part No.	Description	Boiler Size
511-330-122	Combination Safety Pilot Burner With Ignition Electrode and Ignition Lead Cable, 30"	45,60
		45,60
560-742-860	Pilot Tubing, 1/8" O.D. Aluminum X 22 3/4" long, With Compression Fittings	45,60

Note: No other cycle pilot parts available through Weil-McLain.

AHE - Series 3 Gas Control Parts

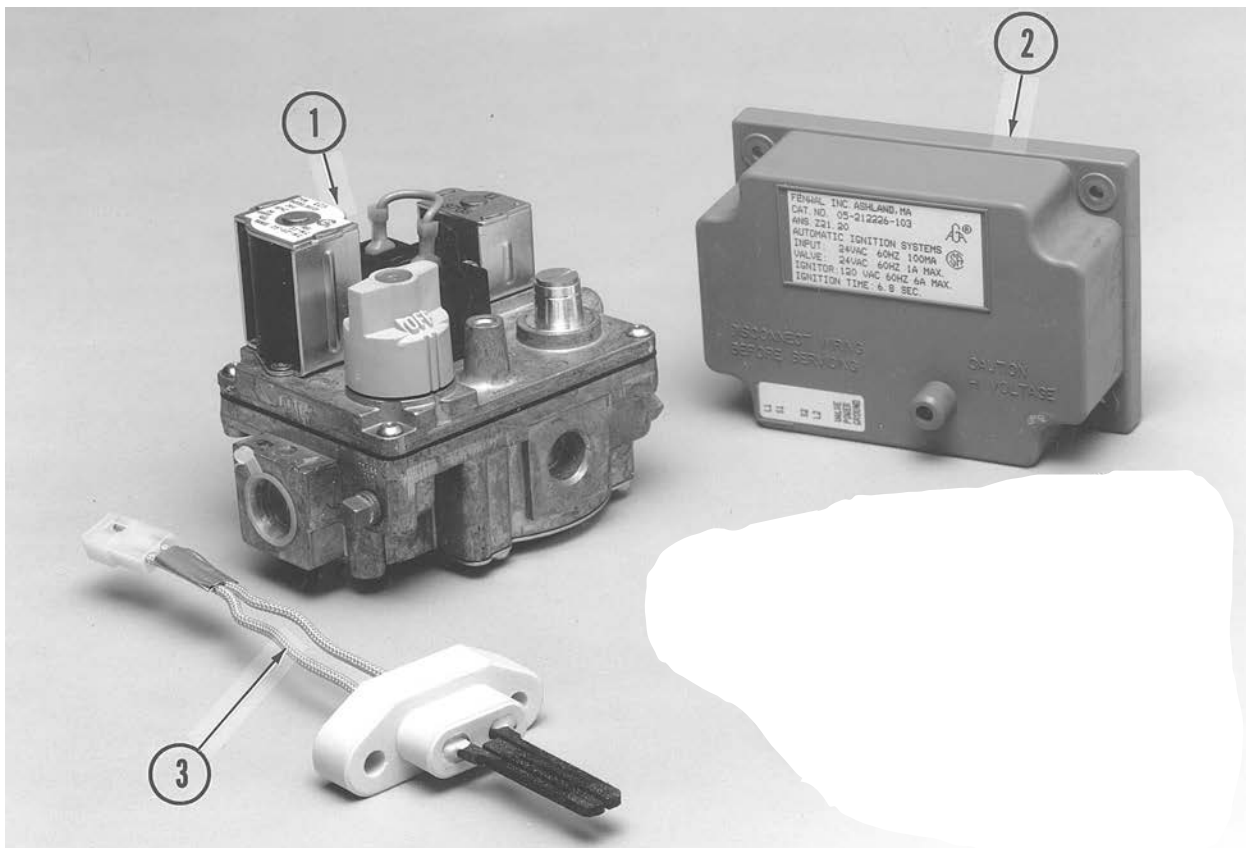


Fig No.	Part No.	Description	Boiler Size
1	381-400-170	Gas Valve Replacement Kit, Natural Gas, HSI	45,60
			45,60
			45,60
	381-400-173	Gas Valve Replacement Kit, Propane Gas, HSI	45,60
			45,60
			45,60
2	510-811-476	Retrofit kit from Fenwal 05-21 or 05-31 To Fenwall 35-655505-011 (Includes: Module, Igniter Replacement Kit, Wiring, Hardware and Instructions)	45,60
3	511-330-148	Igniter Replacement Kit (Includes: Igniter, Gasket, Screws)	45,60
N/S	570-330-155	Fenwall 35-655505-011 Ignition Sensing Control Module Only. See Retrofit Kits Above For Retrofitting	45,60

AHE - Series 2 & 3 Water Trim Parts



Fig No.	Part No.	Description	Boiler Size
1	510-312-009	High Limit Temperature Control, Control Obsolete, (Call Weil-McLain Technical Service At 800-526-6636 For Further Information)	45, 60
2	383-600-090	ASME Pressure Relief Valve, Set To Relieve At 50 PSIG, ¼" N.P.T. Male Inlet, Brass, Side Outlet, Series 3 Only	45,60
		ASME Pressure Relief Valve, Set To Relieve At 30 PSIG, ¼" N.P.T. Male Inlet, Brass, Side Outlet, Series 2 Only	45,60
		ASME Pressure Relief Valve, Set To Relieve At 30 PSIG, ¼" N.P.T. Male Inlet, Brass, Side outlet, Series 2 Only	45,60
3	510-218-099	Combination Pressure-Temperature Gauge, 2½" Dial, 0-60 PSIG, 60-260°F, Short Shank, Back Connection, ¼" N.P.T, Series 2 & 3	45,60
4	511-210-423	Drain Valve, ¾" N.P.T., Brass Series 2 & 3	45,60
5	510-148-563	Automatic Air Vent, Float Type, ¼" N.P.T., Series 2 & 3	45,60
6	511-405-006	Circulator Cartridge (Includes: Gaskets and Hardware) Series 2 & 3	45,60
7	590-317-535	Circulator Gasket, Series 2 & 3	45,60
8	381-354-530	Circulator Hardware Kit, ¾" Universal, Series 2 & 3	45,60

AHE - Series 4 Base Assembly Parts

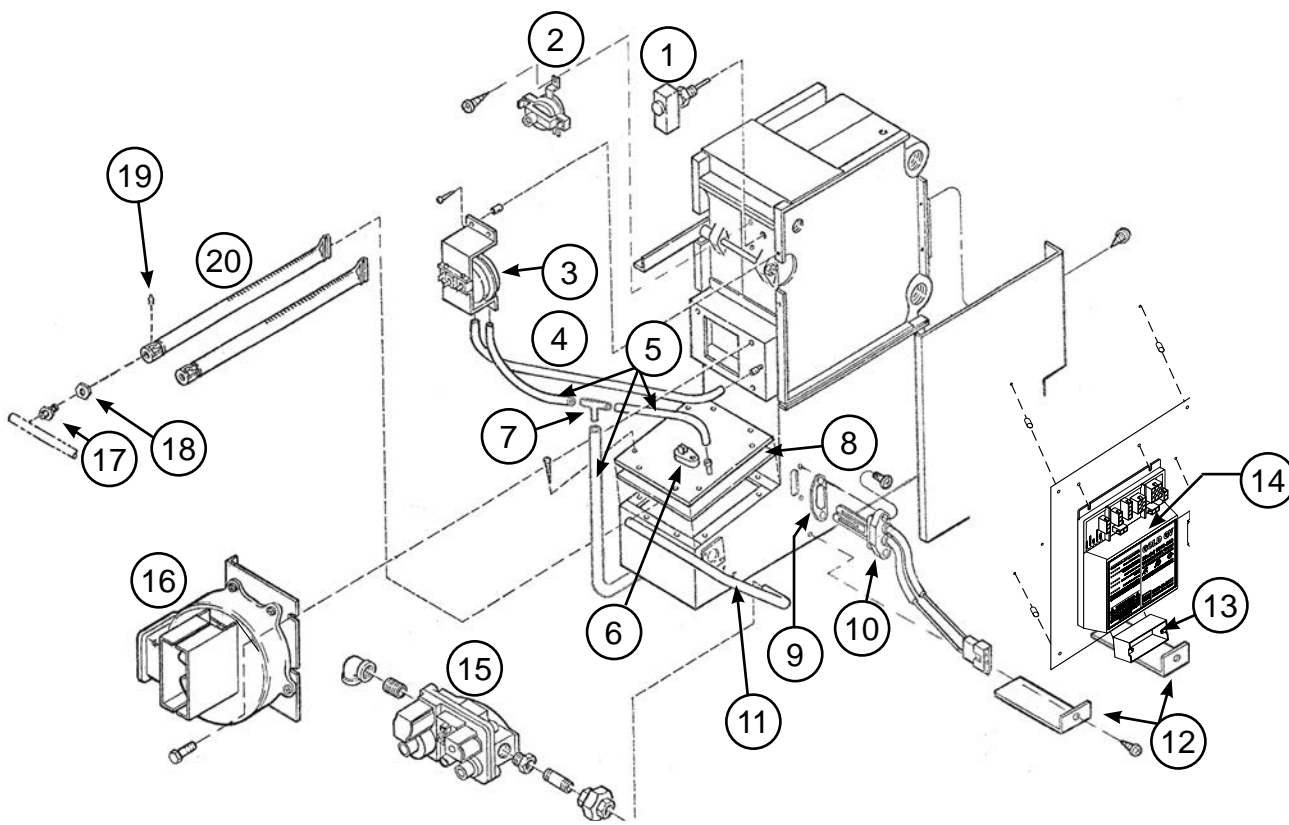


Fig No.	Part No.	Description
1	510-312-009	Limit Control, 120-240°, 10° Fixed Differential, With 5/16" Well
2	510-350-062	Block Temperature Switch
3	511-624-530	Pressure Switch -.35" W.C. (AHE-45)
	511-624-532	Pressure Switch -.30" W.C. (AHE-60)
4	590-317-632	Silicone Tubing, White 7.00"
	590-317-645	Silicone Tubing, Red 6.00"
5	590-317-631	Silicone Tubing, Red 12.00"
	590-317-636	Silicone Tubing, Red 14.50"
6	512-050-235	Rollout Thermal Fuse Element 121°C/250°F
7	Obtain Locally	Tee, 1/8" x 1/8" x 1/8"
8	590-317-605	Gasket, Burner Inlet Plenum Cover (AHE-45)
	590-317-606	Gasket, Burner Inlet Plenum Cover (AHE-60)
9	590-317-599	Gasket Igniter
10	511-330-148	Igniter With gasket
11	591-126-573	Burner Manifold AHE-60-10.63"
N/S	Obtain Locally	Junction Box, 4" x 2.12"
12	450-030-769	Bottom Insulation Retainer

AHE - Series 4 Base Assembly Parts Continued

Fig No.	Part No.	Description
13	511-842-370	24 Volt Step Down Transformer, 40 VA
14	382-200-448	Control Module Kit (Includes: Module, Circulator Harness and Temperature Jumper)
N/S	591-391-831	Wiring Harness, Control
15	511-044-367	Gas Valve, Natural Gas, ½" x ½"
	511-044-373	Gas Valve, Propane Gas, ½" x ½"
16	510-811-466	Blower Motor Assembly
17	560-529-018	Main Burner Orifice #48 Hole, Natural Gas
	560-529-019	Main Burner Orifice 1.15 mm Hole, LP
18	Obtain Locally	Nut, Hex Jam, ½" 0-20
19	562-610-325	Clip Hairpin
20	512-200-077	Main Burner, Stainless Steel
N/S	592-002-029	Touch Up Paint - Gold - Low E, 4.5oz Can

Note:**AHE-45: 3 burners****AHE-60: 4 burners**

AHE - Series 4 Water Trim Parts

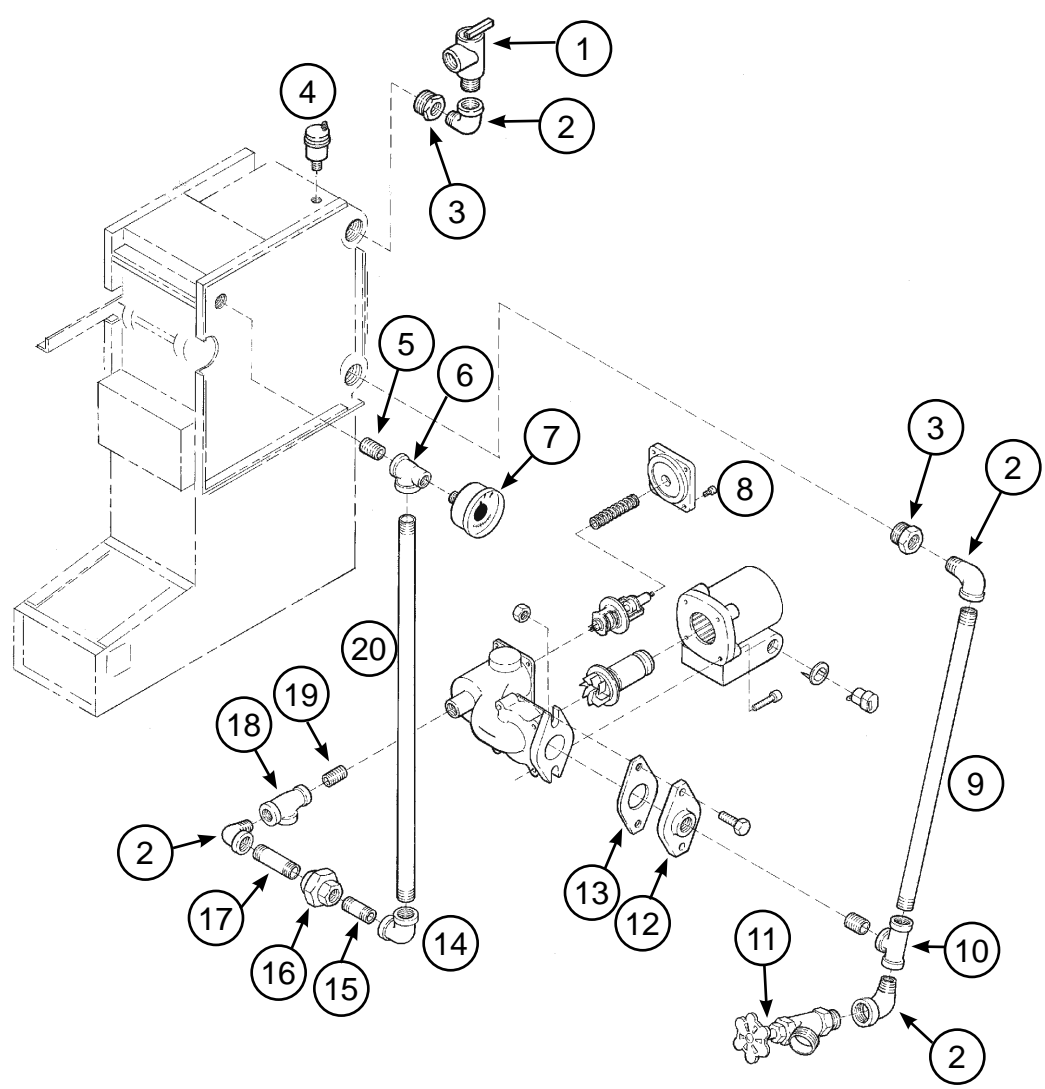


Fig No.	Part No.	Description
1	383-600-090	Relief Valve, 3/4"
2	Obtain Locally	Street Elbow, 3/4", Black
3		Bushing, 1 1/2" x 3/4" Black, Inside Hex
4	510-148-563	Air Vent
5	Obtain Locally	3/4" x Close, Black (AHE-45)
6		3/4" x 4 1/2" ,Black (AHE-60)
7	510-218-099	Combination Temperature-Pressure Gauge, Short Shank
8	511-405-008	Circulator Pump With Mixing Valve - Obsolete Call Technical Services At 800-526-6636

AHE - Series 4 Water Trim Parts Continued

Fig No.	Part No.	Description
N/S	591-391-902	Wire Harness With Temperature Sensor Plug For Circulator
	511-405-006	Circulator Cartridge With Gaskets and Hardware
9	Obtain Locally	Strain Relief Bushing
		Strain Relief Adapter
		Nipple, $\frac{3}{4}$ " x 13 $\frac{1}{2}$ ", Black
10		Tee, $\frac{3}{4}$ ", Black
11	511-210-423	Drain Valve, $\frac{3}{4}$ " x 1 $\frac{1}{2}$ " Shank
	511-246-392	Drain Valve, $\frac{3}{4}$ " x 1 $\frac{1}{2}$ " Shank
12	381-354-530	Pump Flange Kit, $\frac{3}{4}$ " (Includes: 1 Flange, Gasket, 2 Bolts, 2 Nuts)
13	590-317-535	Pump Flange Gasket
14	Obtain Locally	Elbow, $\frac{3}{4}$ ", Black
15		Nipple, $\frac{3}{4}$ " x 2 $\frac{1}{2}$ ", Black
16		Union, $\frac{3}{4}$ ", Black
17		Nipple, $\frac{3}{4}$ " x 3", Black (AHE-45)
		Nipple, $\frac{3}{4}$ " x 6", Black (AHE-60)
18		Tee, $\frac{3}{4}$ " x $\frac{1}{2}$ " x $\frac{3}{4}$ ", Black
19		Nipple, $\frac{1}{2}$ " x Close, Black
20		Nipple, $\frac{3}{4}$ " x 22 $\frac{1}{2}$ ", Black

LGB - Series 1 Water Trim Parts

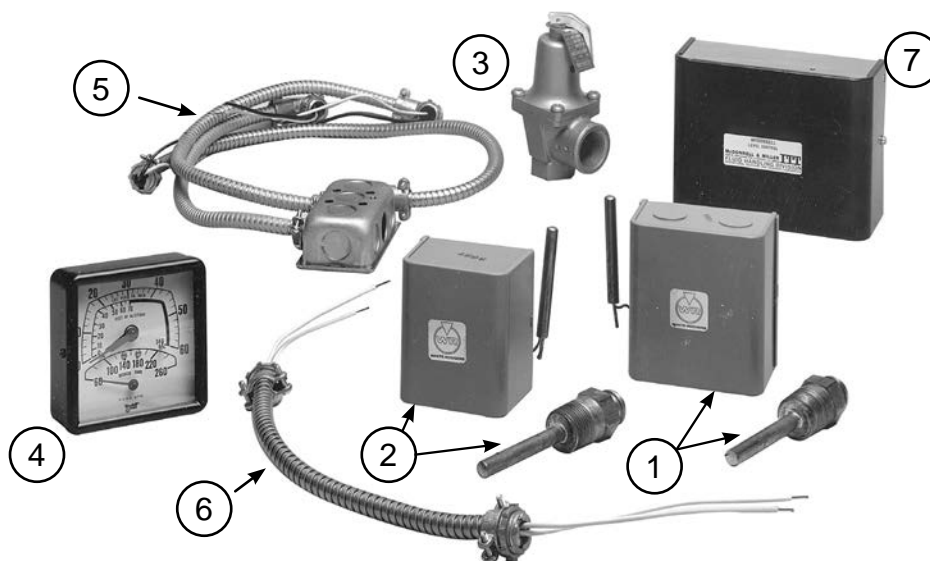


Fig. No.	Part No.	Description	Boiler Size
1	510-312-065	Combination Operating and High Limit Control, DPST, Automatic Recycle, With $\frac{3}{4}$ " N.P.T. Control Well. Operation Limit: 100 - 220° Range With 10-35°F Adjustable Subtractive Differential. High Limit: 140-240°F Range With 10°F Fixed Subtractive Differential.	6 - 20
2	510-312-209	High Limit Temperature Control, SPST Automatic Recycle, 140-240°F Range, 10°F Fixed Subtractive Differential With $\frac{3}{4}$ " N.P.T. Control Well (Separate Controls Used for Operating and High Limit Function For LGB-21 Through LGB-23 Boilers)	21 - 23
3	383-600-091	ASME Pressure Relief Valve, Set To Relieve At 30 PSIG, $\frac{3}{4}$ " N.P.T. Male Inlet x $\frac{3}{4}$ " N.P.T. Female Outlet; Side Outlet Type	4 - 5 4 - 5
	383-600-063	ASME Pressure Relief Valve, Set To Relieve At 30 PSIG, $\frac{3}{4}$ " N.P.T. Male Inlet x 1" N.P.T. Female Outlet; Side Outlet Type	6 - 9
	383-600-092	ASME Pressure Relief Valve, Set To Relieve At 30 PSIG, 1" N.P.T. Male Inlet x 1 $\frac{1}{4}$ " N.P.T. Female Outlet; Side Outlet Type	10 - 13
	383-600-093	ASME Pressure Relief Valve, Set To Relieve At 30 PSIG, 1 $\frac{1}{4}$ " N.P.T. Male Inlet x 1 $\frac{1}{2}$ " N.P.T. Female Outlet; Side Outlet Type	14 - 20
	383-600-094	ASME Pressure Relief Valve, Set To Relieve At 30 PSIG, 1 $\frac{1}{2}$ " N.P.T. Male Inlet x 2" N.P.T. Female Outlet; Side Outlet Type	21 - 23
4	510-218-065	Combination Pressure-Temperature Gauge, 0-50 PSIG, 60-260°F Back Connection, $\frac{1}{2}$ " N.P.T.	All Sizes
5	591-319-793	Temperature Control Wiring Harness	21 - 23
6	591-319-801	Water Trim Wiring Harness	6-23
7	511-114-528	Electrode Type Low Water Cut-Off, 120 Volt, SPDT, Automatic Recycle, 160 PSIG Rated, $\frac{1}{2}$ " N.P.T. Male Electrode	All Sizes

LGB - Series 1 Steam Trim Parts

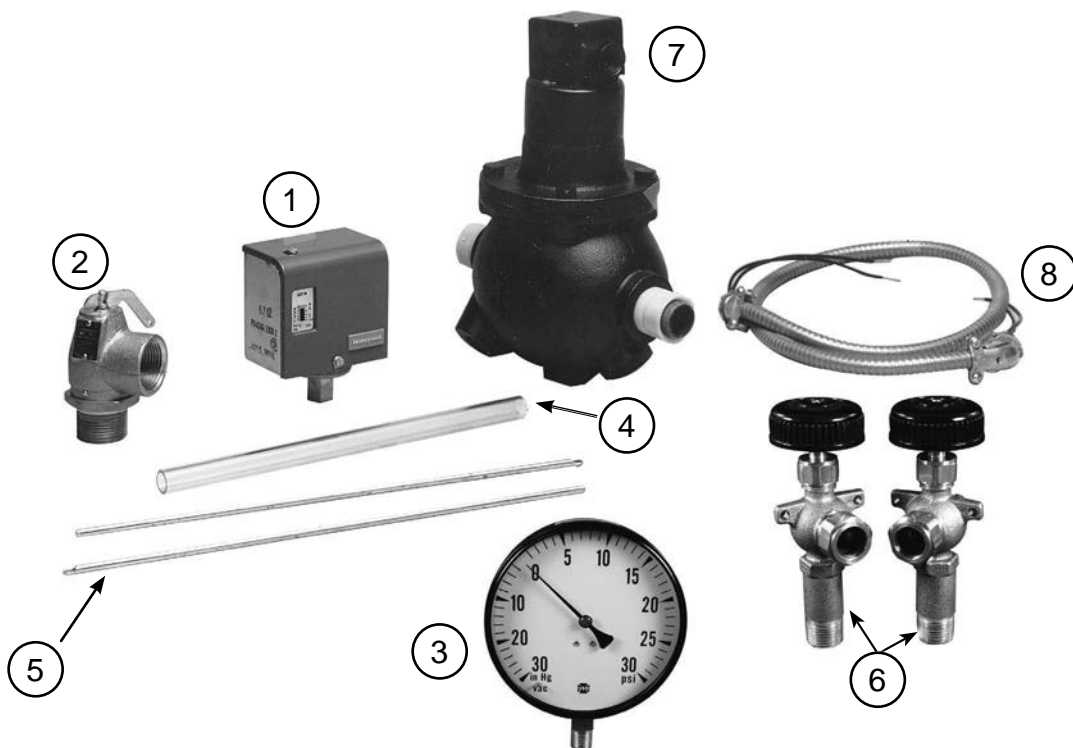


Fig. No.	Part No.	Description	LGB Boiler Size
1	510-312-135	High Limit Steam Pressure Control, SPST, Auto Recycle, 0-9 PSIG Range, 0-5 PSIG Adjustable Additive Differential, Bottom Connection, 1/4" N.P.T. Male	All Sizes
2	383-600-107	ASME Steam Safety Relief Valve, Set To Relieve At 15 PSIG, Side Outlet, 1" N.P.T. Male Inlet x 1" N.P.T. Female Outlet, 643 lbs/hr Capacity	4 - 7
	383-600-108	ASME Steam Safety Relief Valve, Set To Relieve At 15 PSIG, Side Outlet, 1 1/2" N.P.T. Male Inlet x 1 1/2" N.P.T. Female Outlet, 1200 lbs/hr Capacity	8 - 12
	383-600-109	ASME Steam Safety Relief Valve, Set To Relieve At 15 PSIG, Side Outlet, 1 1/2" N.P.T. Male Inlet x 2" N.P.T. Female Outlet, 1900 lbs/hr Capacity	13 - 19
	383-600-110	ASME Steam Safety Relief Valve, Set To Relieve At 15 PSIG, Side Outlet, 2" N.P.T. Male Inlet x 2" N.P.T. Female Outlet, 2500 lbs/hr Capacity	20 - 23
3	510-218-100	Combination Pressure-Vacuum Gauge, 0-30PSIG, 0-30" HG., 4 1/2" Dial, Bottom Connection, 1/4" N.P.T. Spec 04459	All Sizes
4	383-600-002	Water Gauge Glass Kit, 5/8" x 10 5/8" With Gaskets and Brass Washers	All Sizes
5	563-334-595	Water Gauge Glass Guard, 3/16" Dia. X 12 1/2" Long (2 Per Gauge Glass)	All Sizes
6	510-218-145	Water Gauge Glass Cocks, Set, 1/2" N.P.T. Male Inlet	All Sizes
7	511-114-474	Float Type Low Water Cut-off, Automatic Recycle, 14 PSIG Rated, 1" N.P.T.	All Sizes
8	591-319-800	Steam Trim Wiring Harness	All Sizes

LGB - Series 1 Main Gas Train Control Parts Natural Gas

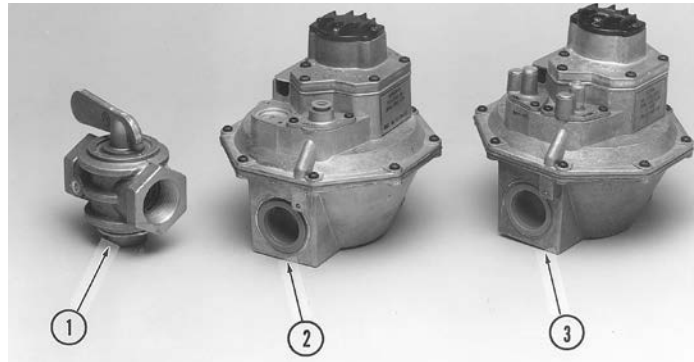


Table 1 – LGB Main Gas Control Trains Arrangement

LGB Series 1 Boiler Size	Main Gas Control Trains		LGB Series 1 Boiler Size	Main Gas Control Trains	
	7.0" W.C. Natural Gas Supply Pres- sure	5.0" W.C. Natural Gas Supply Pressure		7.0" W.C. Natural Gas Supply Pressure	5.0" W.C. Natural Gas Supply Pressure
LGB-6	AB	AB	LGB-15	J	J
LGB-7	AB	AB	LGB-16	J	J
LGB-8	CD	CD	LGB-17	J	J
LGB-9	CD	CD	LGB-18	K	K
LGB-10	EFG	E	LGB-19	L	M
LGB-11	EFG	FG	LGB-20	L	N
LGB-12	EFG	FG	LGB-21	*L	*O
LGB-13	H	H	LGB-22	*L	*O
LGB-14	I	I	LGB-23	*L	*O

*With Special Control Carton (Includes Gas Pressure Switch, Switch Bracket, Connecting Tubing)

Table 2 – LGB Main Gas Control Trains Individual Components

Fig. No.		MAIN GAS CONTROL TRAINS																			
		7" W.C. Natural Gas Supply Pressure								5" W.C. NATURAL Gas Supply Pressure											
		AB	C	D	E	F	H	I	J	K	L	AB	CD	E	F	H	I	J	K	M	N
1	Manual Main Shut-Off Gas Valve, 1" N.P.T.	X	X				X	X	X	X											
	Manual Main Shut-Off Gas Valve, 1¼" N.P.T.				X					X	X	X	X		X	X	X	X			
	Manual Main Shut-Off Gas Valve, 1½" N.P.T.												X					X	X	X	
	Manual Main Shut-Off Gas Valve, 2" N.P.T.													X						X	X
2	Safety Gas Valve 1" N.P.T.	X	X				X	X	X	X											
	Safety Gas Valve 1¼" N.P.T.				X						X	X	X		X	X	X	X			
	Safety Gas Valve 1½" N.P.T.												X	X				X	X	X	X
3	Combination Gas Control Valve, 1" N.P.T.	X	X				X	X	X	X											
	Combination Gas Control Valve, 1¼" N.P.T.				X						X	X	X		X	X	X	X			
	Combination Gas Control Valve, 1½" N.P.T.													X	X			X	X	X	X

LGB - Series 1
 Main Gas Train Control Parts
 Natural Gas

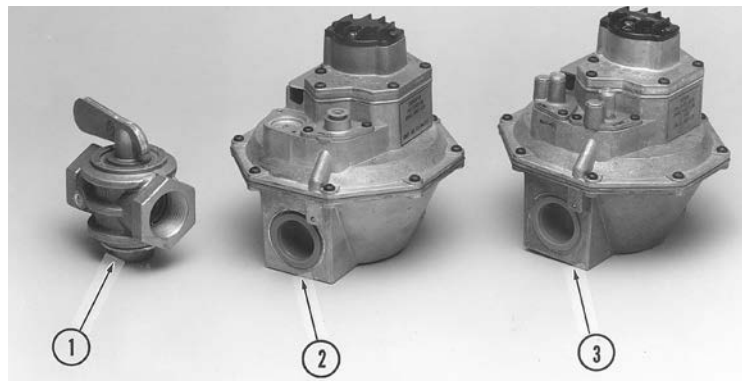
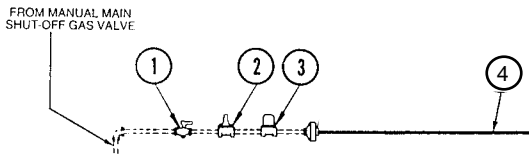


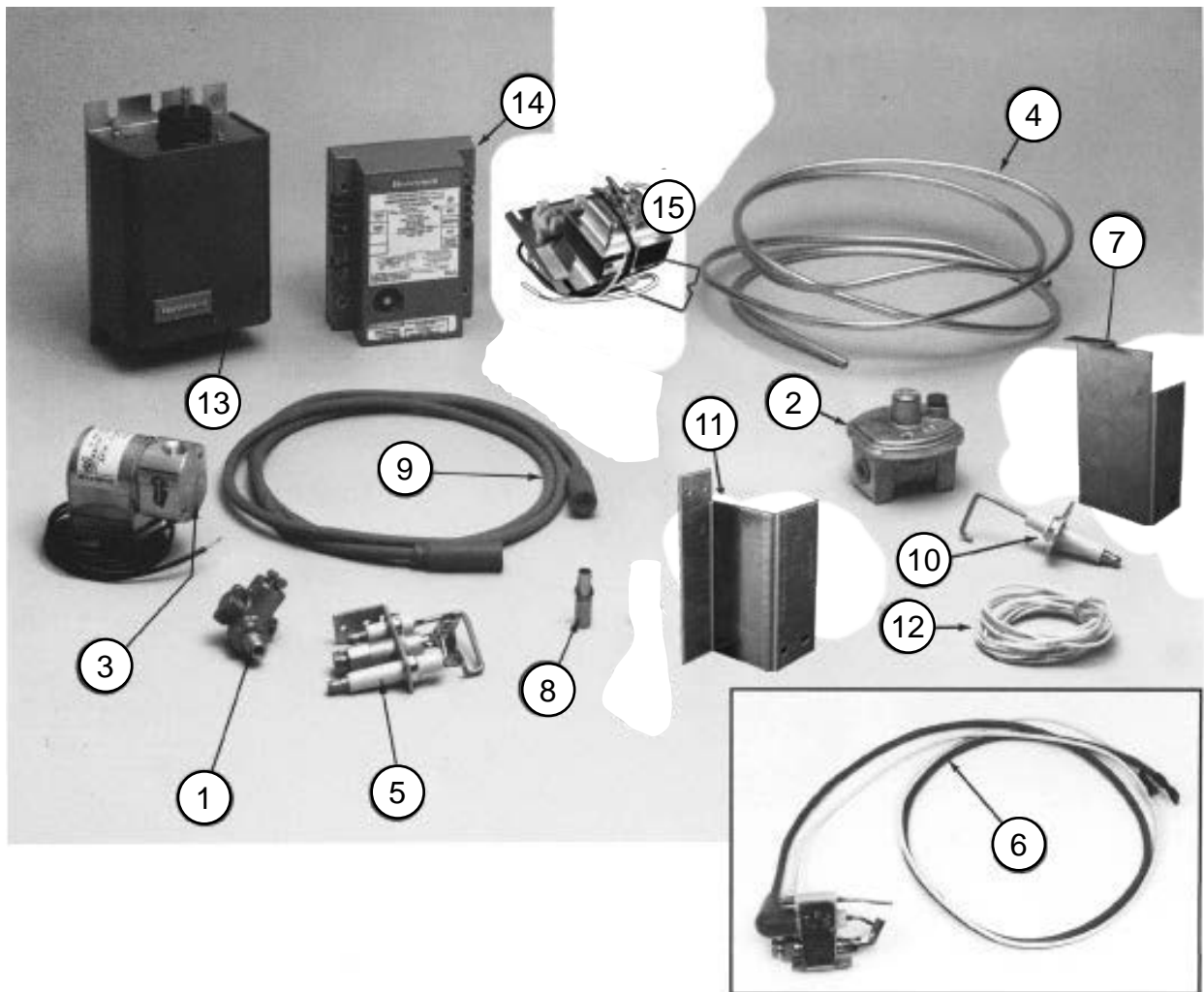
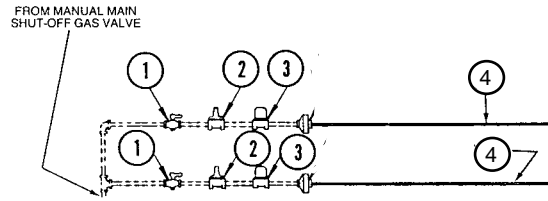
Fig. No.	Part No.	Description
1	511-246-325	Manual-Main Shut-off Gas Valve, 1" N.P.T., With Downstream Pressure Tapping, 1/8" N.P.T.
	511-246-330	Manual-Main Shut-off Gas Valve, 1 1/4" N.P.T., With Downstream Pressure Tapping, 1/8" N.P.T.
	511-246-300	Manual-Main Shut-off Gas Valve, 1 1/2" N.P.T., With Downstream Pressure Tapping, 1/8" N.P.T.
	511-246-305	Manual-Main Shut-off Gas Valve, 2" N.P.T., With Downstream Pressure Tapping, 1/8" N.P.T.
2	383-300-425	Gas Valve Conversion Kit, 1" N.P.T., 24 Volt, With 1/8" N.P.T. and 1/8" N.P.T. Downstream Pressure Tapping
	383-300-426	Gas Valve Conversion Kit, 1 1/4" N.P.T., 24 Volt, With 1/8" N.P.T. and 1/8" N.P.T. Downstream Pressure Tapping
	383-300-427	Gas Valve Conversion Kit, 1 1/2" N.P.T., 24 Volt, With 1/8" N.P.T. and 1/8" N.P.T. Downstream Pressure Tapping
3	511-044-214	Combination Gas Control Valve, 1" N.P.T., 24 Volt, With Low Fire Operator, High Fire Operator, Main Pressure Regulator and 1/8" N.P.T. Downstream Pressure Tapping
	511-044-215	Combination Gas Control Valve, 1 1/4" N.P.T., 24 Volt, With Low Fire Operator, High Fire Operator, Main Pressure Regulator and 1/8" N.P.T. Downstream Pressure Tapping
	511-044-216	Combination Gas Control Valve, 1 1/2" N.P.T., 24 Volt, With Low Fire Operator, High Fire Operator, Main Pressure Regulator and 1/8" N.P.T. Downstream Pressure Tapping

LGB - Series 1 - Universal Control System - Natural Gas IRI / FM Pilot Gas Control Train / Flame Sensing Parts

**IRA AND FM
PILOT TRAIN GAS PIPING DIAGRAM
LGB-6 THROUGH LGB-12 BOILERS**



**IRA AND FM
PILOT TRAIN GAS PIPING DIAGRAM
LGB-13 THROUGH LGB-23 BOILERS**



**LGB - Series 1 - Universal Control System - Natural Gas
IRI / FM Pilot Gas Control Train / Flame Sensing Parts**

Fig. No.	Part No.	Description	Qty Per Boiler Size	
			6-12	13-23
IRI AND FM PILOT LINE GAS TRAIN COMPONENTS				
1	511-246-345	Pilot Line Manual Shut-off Gas Valve, ¼" N.P.T. Male x ¼" N.P.T. Female	1	2
2	510-933-195	Pilot Line Gas Pressure Regulating Valve, 3.5-7.0" W.C. Outlet Adjustment Range, ¼" N.P.T.	1	2
3	511-044-040	Pilot Line Solenoid Gas Valve, Quick Opening, 120 Volt, ¼" N.P.T.	1	2
4	560-742-915	Pilot Line Aluminum Tubing, ¼" O.D. x 100" Coil	1	2
IRI AND FM PILOTS, FLAME SENSING AND IGNITION COMPONENTS				
5	511-330-181	Combination Pilot Burner With Fame Rod, Ignition Electrode, and Natural Gas Orifice, 0.026" Dia.	1	1
6	511-330-221	NG PIN Pilot Burner Assembly With Pilot Burner, Orifice, Sensing Lead and Ignition Cable	1	1
7	460-005-624	Combination Pilot Burner Mounting Bracket	1	2
8	591-850-140	Rajah Connector, Female (Connects Sensing Cable To Q179C Pilot)	1	1
9	591-391-798	Ignition Cable, 36" Long, For Q179C Pilot	1	1
10	511-724-274	Main Fame Sensor	1	1
11	423-300-420	Main Fame Sensor Mounting Bracket	1	1
12	590-849-236	Fame Rod Cable For Main Fame Sensor and Q179C Pilot (Feet Required)	4	4
13	511-802-625	Solid State Ignition Transformer, 120 Volt/6,0000 Volt,	1	1
14	511-330-097	Pilot Proving Ignition/Sensing Control Module, 24 Volt, Q348A Pilot	-	1
			-	1
15	510-312-166	Control Transformer/Relay Receptacle 120/24 Volt, 40 VA, Plate Mounted, For Universal Control System (UCS) Ignition Sensing Control	-	1
			-	1

LGB - Series 1
IRI / FM Main Gas Control Train Parts
For 5.5" W.C. Natural Gas Supply Pressure

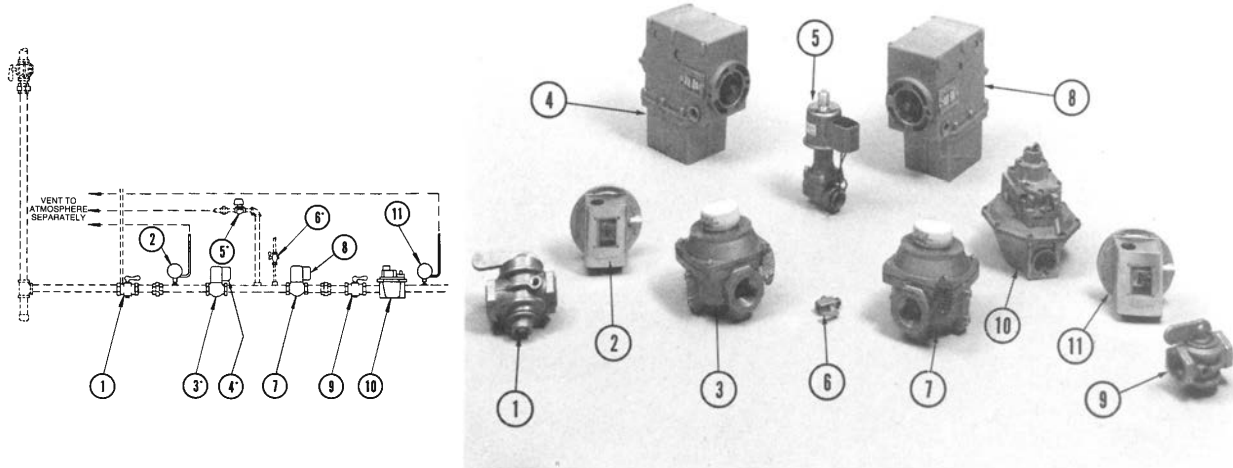


Fig. No.	Part No.	Description	Boiler Size
1,9	511-246-330	Manual Main Shut-off Gas Valve, 1¼" N.P.T., With ⅛" N.P.T. Female Pilot Take-Off Tapping and ¼" N.P.T. Female Downstream Pressure Tapping, Lubricated Type	5,6,7
	511-246-300	Manual Main Shut-off Gas Valve, 1½" N.P.T., With ⅛" N.P.T. Female Pilot Take-Off Tapping and ¼" N.P.T. Female Downstream Pressure Tapping, Lubricated Type	8
	511-246-305	Manual Main Shut-off Gas Valve, 2" N.P.T., With ⅛" N.P.T. Female Pilot Take-Off Tapping and ¼" N.P.T. Female Downstream Pressure Tapping, Lubricated Type	9 - 17
	511-246-310	Manual Main Shut-off Gas Valve, 2½" N.P.T., With ¼" N.P.T. Female Pilot Take-Off Tapping and ¼" N.P.T. Female Downstream Pressure Tapping, Lubricated Type	18 - 20
	511-210-431	Manual Main Shut-off Gas Valve, 3" N.P.T., With ¼" N.P.T. Female Pilot Take-Off Tapping and ¼" N.P.T. Female Downstream Pressure Tapping, Lubricated Type	21-23
2	511-624-550	Low Gas Pressure Switch, SPDT, Manual Reset, Lockout On Pressure Fill, Diaphragm Type, 3.0-21.0" W.C. Range, 1.0-3.0" W.C. Differential, ¼" N.P.T. Female Connector, ⅛" N.P.T. Female Vent Connector, With Switch Position Indicator	All Sizes
3,7	510-744-315	Motorized Gas Valve Small Body, With ¼" N.P.T. Female Downstream Pressure Tapping	5 - 17
N/S	511-044-171	1¼" Pipe Flange Adapter For Gas Valve Body	5,6,7
	511-044-172	1½" Pipe Flange Adapter For Gas Valve Body	8
	511-044-173	2" Pipe Flange Adapter For Gas Valve Body	9 - 17
3,7	510-744-316	Motorized Gas Valve Large Body, With ¼" N.P.T. Female Downstream Pressure Tapping	18 - 23

LGB - Series 1
IRI / FM Main Gas Control Train Parts Continued
For 5.5" W.C. Natural Gas Supply Pressure

Fig. No.	Part No.	Description	Boiler Size
N/S	511-044-174	2½" Pipe Flange Adapter for Gas Valve Body	18 - 20
	511-044-175	3" Pipe Flange Adapter for Gas Valve Body	21 - 23
4,8	510-744-317	Fluid Power Gas Valve Actuator, On/Off, 120 Volt	5 -23
N/S	511-044-176	Adapter For Solenoid Vent Valve (Fits Small Valve Body)	5 - 17
	511-044-177	Adapter for Solenoid Vent Valve (Fits Large Valve Body)	18 - 23
5	511-046-340	Solenoid Vent Valve, Normally Open, Quick Closing, 120 Volt, ¾" N.P.T.	5 - 8
	511-046-342	Solenoid Vent Valve, Normally Open, Quick Closing, 120 Volt, 1" N.P.T.	9 -17
	511-046-344	Solenoid Vent Valve, Normally Open, Quick Closing, 120 Volt, 1¼" N.P.T.	18 - 23
6	511-210-415	Test Cock, ¼" N.P.T.	All Sizes
10	511-048-502	Combination Gas Control Valve, 1¼" N.P.T., 120 Volt, With Low Fire Operator, High Fire Operator, and Main Pressure Regulator, ⅛" N.P.T. Downstream Pressure Tapping	5 - 7
	511-048-501	Combination Gas Control Valve, 1½ " N.P.T., 120 Volt, With Low Fire Operator, High Fire Operator, and Main Pressure Regulator, ⅛" N.P.T. Downstream Pressure Tapping	8
	511-048-500	Combination Gas Control Valve, 2" N.P.T., 120 Volt, With Low Fire Operator, High Fire Operator, and Main Pressure Regulator, ⅛" N.P.T. Downstream Pressure Tapping	9 - 23
11	511-624-555	High Gas Pressure Switch, SPDT, Manual Reset, Lockout on Pressure Rise, Diaphragm Type, 3.0-21.0" W.C. Range, 1.0-3.0" W.C. Differential, ¼" N.P.T. Female Connector, ⅛" N.P.T. Female Vent Connector, With Switch Position Indicator	All Sizes

LGB - Series 1

IRI / FM Main Gas Control Train Parts

For 7.0" W.C. Natural Gas Supply Pressure

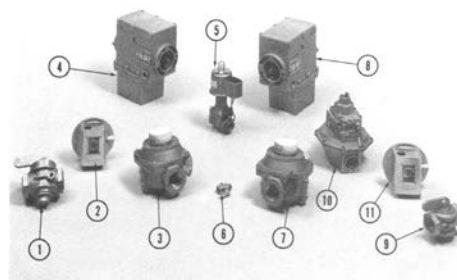
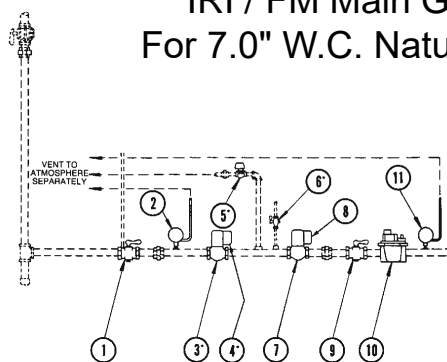


Fig. No.	Part No.	Description	Boiler Size
1,9	511-246-325	Manual Main Shut-off Gas Valve, 1" N.P.T., With 1/8" N.P.T. Female Pilot Take-Off Tapping and 1/4" N.P.T. Female Downstream Pressure Tapping, Lubricated Type	5,6,7
	511-246-330	Manual Main Shut-off Gas Valve, 1 1/4" N.P.T., With 1/8" N.P.T. Female Pilot Take-Off Tapping and 1/4" N.P.T. Female Downstream Pressure Tapping, Lubricated Type	8,9,10
	511-246-300	Manual Main Shut-off Gas Valve, 1 1/2" N.P.T., With 1/8" N.P.T. Female Pilot Take-Off Tapping and 1/4" N.P.T. Female Downstream Pressure Tapping, Lubricated Type	11-18
	511-246-305	Manual Main Shut-off Gas Valve, 2" N.P.T., With 1/8" N.P.T. Female Pilot Take-Off Tapping and 1/4" N.P.T. Female Downstream Pressure Tapping, Lubricated Type	19-23
2	511-624-550	Low Gas Pressure Switch, SPDT, Manual Reset, Lockout On Pressure Fill, Diaphragm Type, 3.0-21.0" W.C. Range, 1.0-3.0" W.C. Differential, 1/4" N.P.T. Female Connector, 1/8" N.P.T. Female Vent Connector, With Switch Position Indicator	All Sizes
3,7	510-744-315	Motorized Gas Valve Small Body, With 1/4" N.P.T. Female Downstream Pressure Tapping	5 - 17
N/S	511-044-170	1" Pipe Flange Adapter For Gas Valve Body	5,6,7
	511-044-171	1 1/4" Pipe Flange Adapter For Gas Valve Body	8,9,10
	511-044-172	1 1/2" Pipe Flange Adapter For Gas Valve Body	11-18
	511-044-173	2" Pipe Flange Adapter For Gas Valve Body	19-23
4,8	510-744-317	Fluid Power Gas Valve Actuator, On/Off, 120 Volt	5 -23
N/S	511-044-176	Adapter For Solenoid Vent Valve (Fits Small Valve Body)	All sizes
5	511-046-340	Solenoid Vent Valve, Normally Open, Quick Closing, 120 Volt, 3/4" N.P.T.	5 - 13
	511-046-342	Solenoid Vent Valve, Normally Open, Quick Closing, 120 Volt, 1" N.P.T.	14-23
6	511-210-415	Test Cock, 1/4" N.P.T.	All Sizes
10	511-048-503	Combination Gas Control Valve, 1" N.P.T., 120 Volt, With Low Fire Operator, High Fire Operator, and Main Pressure Regulator, 1/8" N.P.T. Downstream Pressure Tapping	5,6,7
Fig. No.	Part No.	Description	Boiler Size
10	511-048-502	Combination Gas Control Valve, 1 1/4" N.P.T., 120 Volt, With Low Fire Operator, High Fire Operator, and Main Pressure Regulator, 1/8" N.P.T. Downstream Pressure Tapping	8 -10
	511-048-501	Combination Gas Control Valve, 1 1/2" N.P.T., 120 Volt, With Low Fire Operator, High Fire Operator, and Main Pressure Regulator, 1/8" N.P.T. Downstream Pressure Tapping	11-13
	511-048-500	Combination Gas Control Valve, 2" N.P.T., 120 Volt, With Low Fire Operator, High Fire Operator, and Main Pressure Regulator, 1/8" N.P.T. Downstream Pressure Tapping	14-23

LGB - Series 1
 IRI / FM Main Gas Control Train Parts Continued
 For 7.0" W.C. Natural Gas Supply Pressure

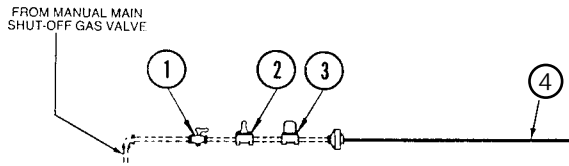
11	511-624-555	High Gas Pressure Switch, SPDT, Manual Reset, Lockout On Pressure Rise, Diaphragm Type, 3.0- 21.0" W.C. Range, 1.0-3.0" W.C. Differential, ¼" N.P.T. Female Connector, ⅛" N.P.T. Female Vent Connector, With Switch Position Indicator	All Sizes
3,7	Not Available From Weil Mclain	Hydramotor Gas Valve Body, With Parabolic Guide 1 ¼" N.P.T. Rated For Closure Against 5.0 PSIG Inlet Pressure, ¼" N.P.T. Female Downstream Pressure Tapping	8
	510-744-332	Hydramotor Gas Valve Body, With Parabolic Guide 1½" N.P.T., Rated For Closure Against 5.0 PSIG Inlet Pressure, ¼" N.P.T. Female Downstream Pressure Tapping	11-13
	510-744-334	Hydramotor Gas Valve Body, With Parabolic Guide, 2" N.P.T., Rated For Closure Against 5.0 PSIG Inlet Pressure, ¼" N.P.T. Female Downstream Pressure Tapping	14-23
4,8	Not Available From Weil Mclain	Hydramotor Gas Valve Actuator, 120 Volt, 13 Second Opening Time, On/Off	All Sizes
		Hydramotor Gas Valve Actuator, 120 Volt, Low/High/Off	All Sizes
5	511-046-340	Solenoid Vent Valve, Normally Open, Quick Closing, 120 Volt, ¾" N.P.T.	6-13
	511-046-342	Solenoid Vent Valve, Normally Open, Quick Closing, 120 Volt, 1" N.P.T.	14-23
6	511-210-415	Test Cock, ¼" N.P.T.	All Sizes

LGB - Series 1
IRI / FM Main Gas Control Train Parts Continued
For 7.0" W.C. Natural Gas Supply Pressure

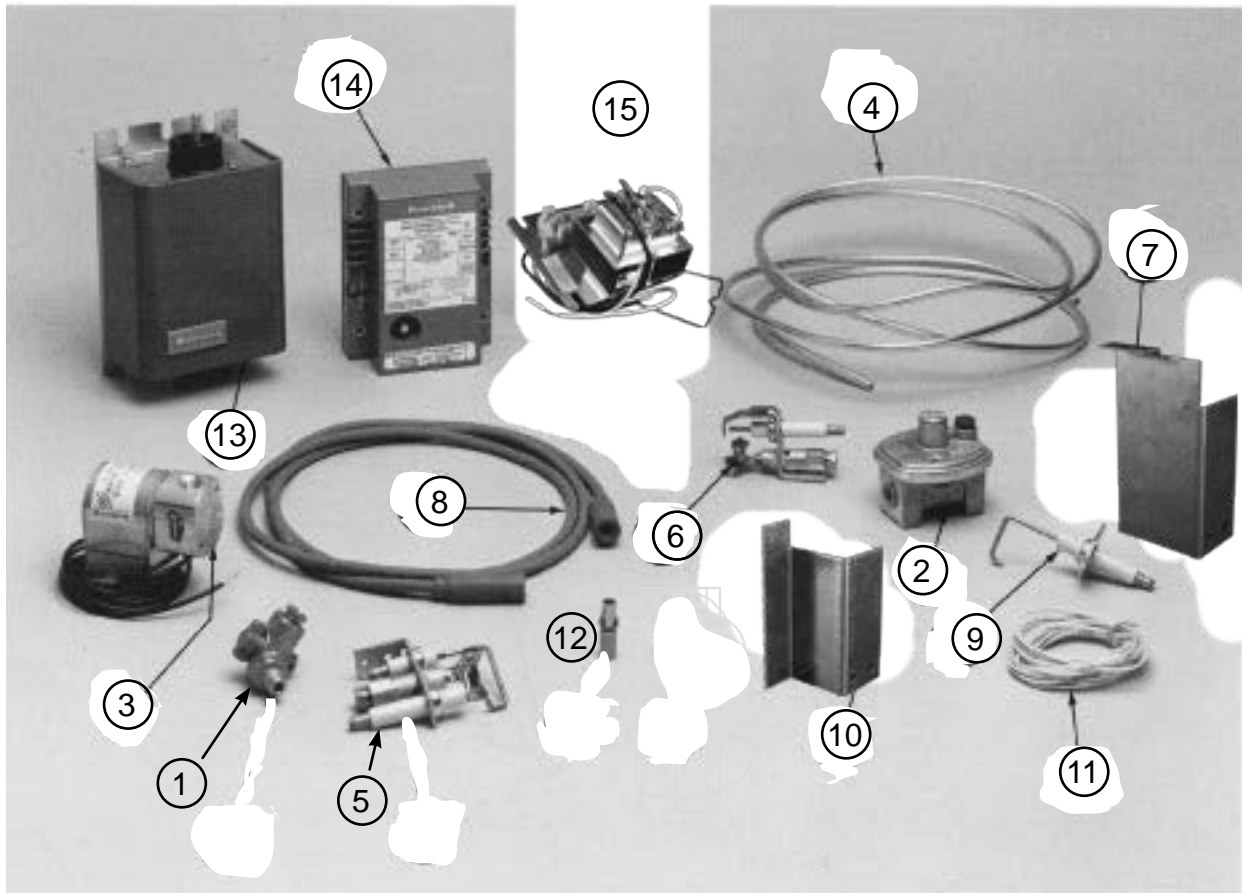
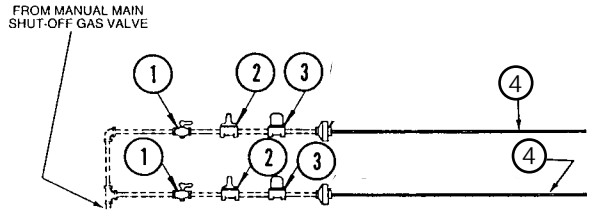
Fig. No.	Part No.	Description	Boiler Size
10	511-048-503	Combination Gas Control Valve, 1" N.P.T., 120 Volt, With Low Fire Operator, High Fire Operator, and Main Pressure Regulator, 1/8" N.P.T. Downstream Pressure Tapping	6-7
	511-048-502	Combination Gas Control Valve, 1 1/4" N.P.T., 120 Volt, With Low Fire Operator, High Fire Operator, and Main Pressure Regulator, 1/8" N.P.T. Downstream Pressure Tapping	8-10
	511-048-501	Combination Gas Control Valve, 1 1/2" N.P.T., 120 Volt, With Low Fire Operator, High Fire Operator, and Main Pressure Regulator, 1/8" N.P.T. Downstream Pressure Tapping	11-13
	511-048-500	Combination Gas Control Valve, 2" N.P.T., 120 Volt, With Low Fire Operator, High Fire Operator, and Main Pressure Regulator, 1/8" N.P.T. Downstream Pressure Tapping	14-23
8	511-624-555	High Gas Pressure Switch, SPDT, Manual Reset, Lockout On Pressure Rise, Diaphragm Type, 3.0-21.0" W.C. Range, 1.0-3.0" W.C. Differential, 1/4" N.P.T. Female Connector, 1/8" N.P.T. Female Vent Connector, With Switch Position Indicator	All Sizes
N/S	510-933-197	Regulator 1"	6-7
	510-933-199	Regulator 1 1/4"	8-10
	510-933-201	Regulator 1 1/2"	11-13
		Regulator 2"	14-23

LGB - Series 1 -Universal Control System - Natural Gas IRI / FM Pilot Gas Control Train / Flame Sensing Parts

**IRA AND FM
PILOT TRAIN GAS PIPING DIAGRAM
LGB-6 THROUGH LGB-12 BOILERS**



**IRA AND FM
PILOT TRAIN GAS PIPING DIAGRAM
LGB-13 THROUGH LGB-23 BOILERS**



LGB - Series 1 - Universal Control System - Natural Gas IRI / FM Pilot Gas Control Train / Flame Sensing Parts

Fig. No.	Part No.	Description	Qty Per Boiler Size	
			6-12	13-23
IRI And FM Pilot Line Gas Train Components				
1	511-246-345	Pilot Line Manual Shut-off Gas Valve, ¼" N.P.T. Male x ¼" N.P.T. Female	1	2
2	510-933-195	Pilot Line Gas Pressure Regulating Valve, 3.5-7.0" W.C. Outlet Adjustment Range, ¼" N.P.T.	1	2
3	511-044-040	Pilot Line Solenoid Gas Valve, Quick Opening, 120 Volt, ¼" N.P.T.	1	2
4	560-742-915	Pilot Line Aluminum Tubing, ¼" O.D. x 100" Coil	1	2
IRI And FM Pilots, Flame Sensing And Ignition Components				
5	511-330-181	Combination Pilot Burner With Fame Rod, Ignition Electrode, and Natural Gas Orifice, 0.026" Dia.	1	1
6	511-330-170	Combination Pilot Burner With Ignition Sensing Electrode, Natural Gas Orifice and Ignition Wire		1
7	460-005-624	Combination Pilot Burner Mounting Bracket	1	2
8	591-391-798	Ignition Cable, 36" Long, For Q179C Pilot	1	1
9	511-724-274	Main Fame Sensor	1	1
10	423-300-420	Main Fame Sensor Mounting Bracket	1	1
11	590-849-236	Flame Rod Cable For Main Fame Sensor and Q179C Pilot (Feet Required)	4'	4'
12	591-850-140	Rajah Connector, Female (Connects Sensing Cable To Q179C Pilot)	1	1
13	511-802-625	Solid State Ignition Transformer, 120 Volt/6,000 Volt	1	1
14	510-811-456	S86H Conversion to UCS Kit (Includes: Control Panel, 2 Ignition/Sensing Control Modules, Pilot Burner Assembly, Wiring Harness and Ignition Cable)	-	1
15	510-312-166	Control Transformer/Relay Receptacle 120/24 Volt, 40 VA, Plate Mounted, for Universal Control System (UCS) Ignition Sensing Control	-	1
			-	1

LGB - Series 1 - Universal Control System - Natural Gas Pilot / Flame Sensing Control Parts

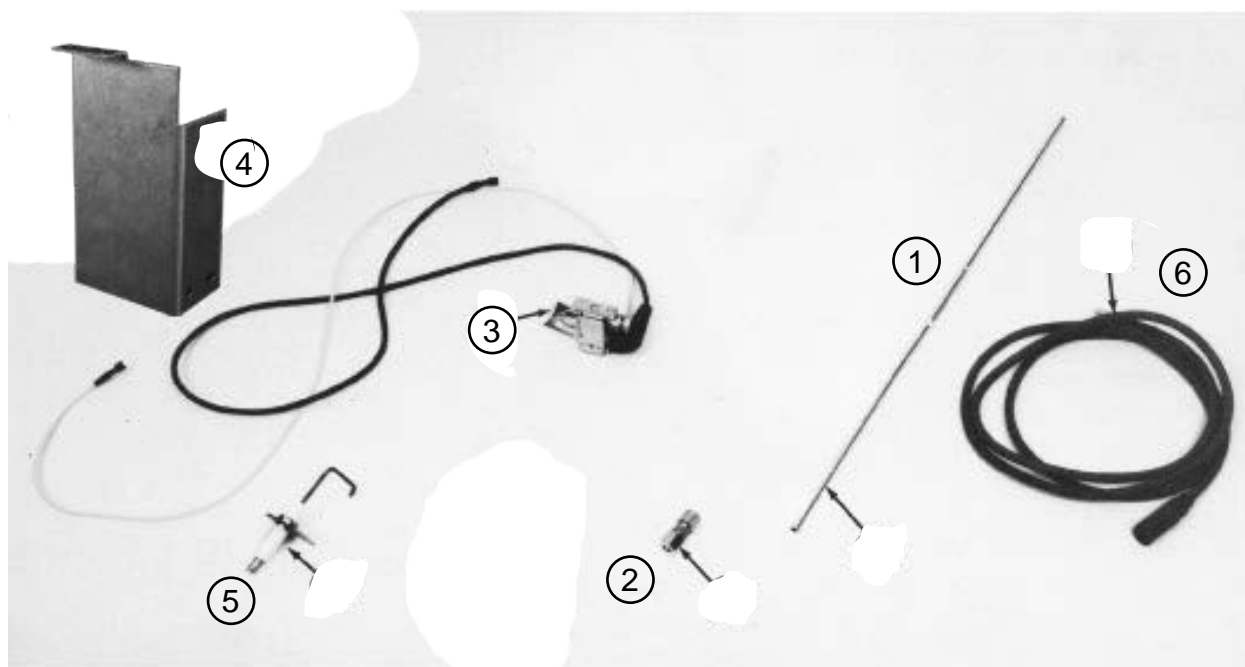


Fig. No.	Part No.	Description	6-12	13-23
1	560-742-880	Pilot Line Aluminum Tubing, 1/4" Dia. x 2" Long	1	2
2	561-643-450	Pilot Line Union, 1/4" CC (Purchase Locally)	1	2
3	511-330-221	NG PIN Pilot Burner Assembly With Pilot Burner, Orifice, Sensing Lead and Ignition Cable	1	2
4	460-005-624	Combination Pilot Burner Mounting Bracket	1	2
5	511-724-274	Main Fame Sensor	1	2
6	591-391-790	Sensing Cable For Main Fame Sensor, 36" Long	1	2

LGB - Series 1 - Natural Gas
 Flame Guardian® WFG Electronic Control System
 Ignition / Sensing Control Module Parts

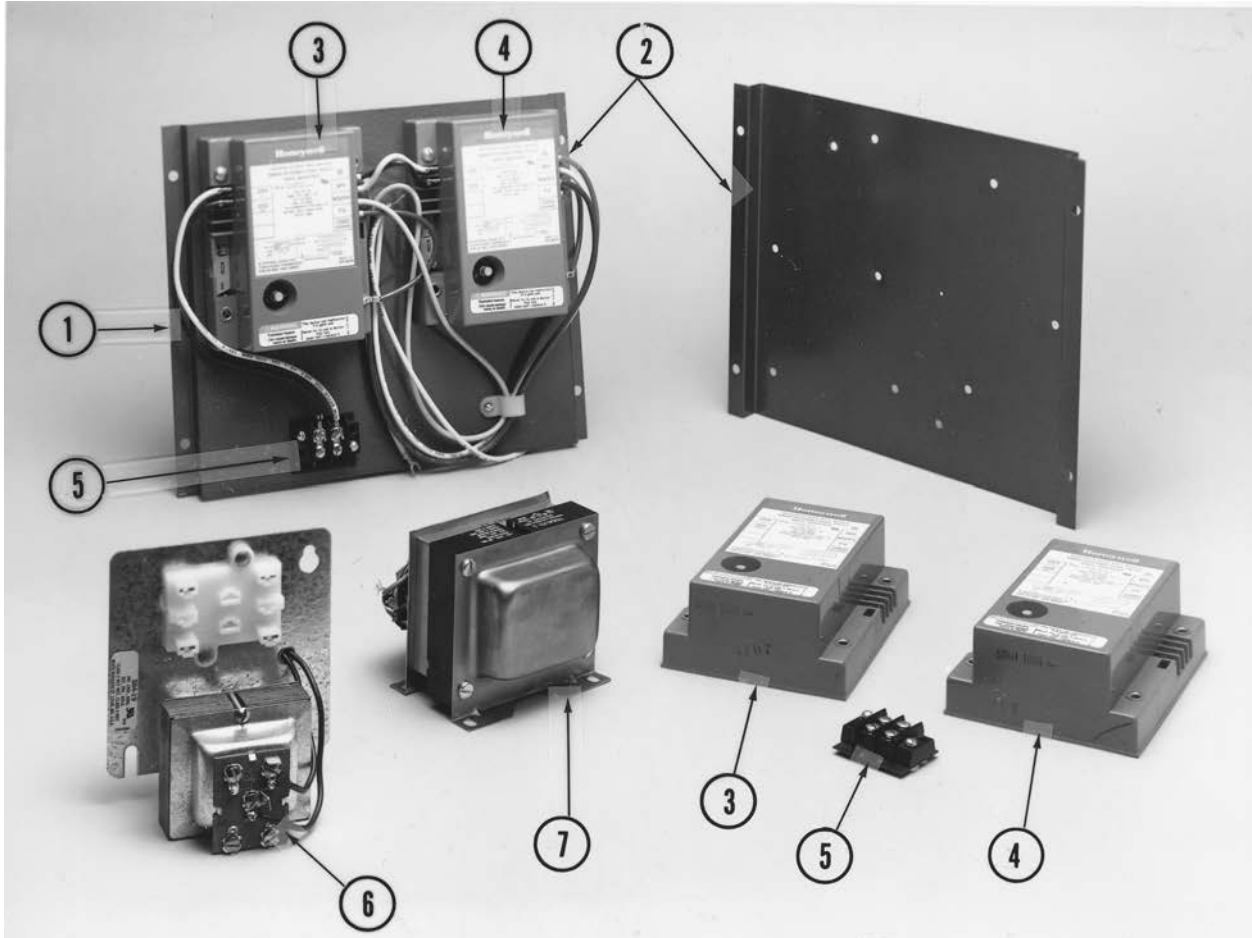


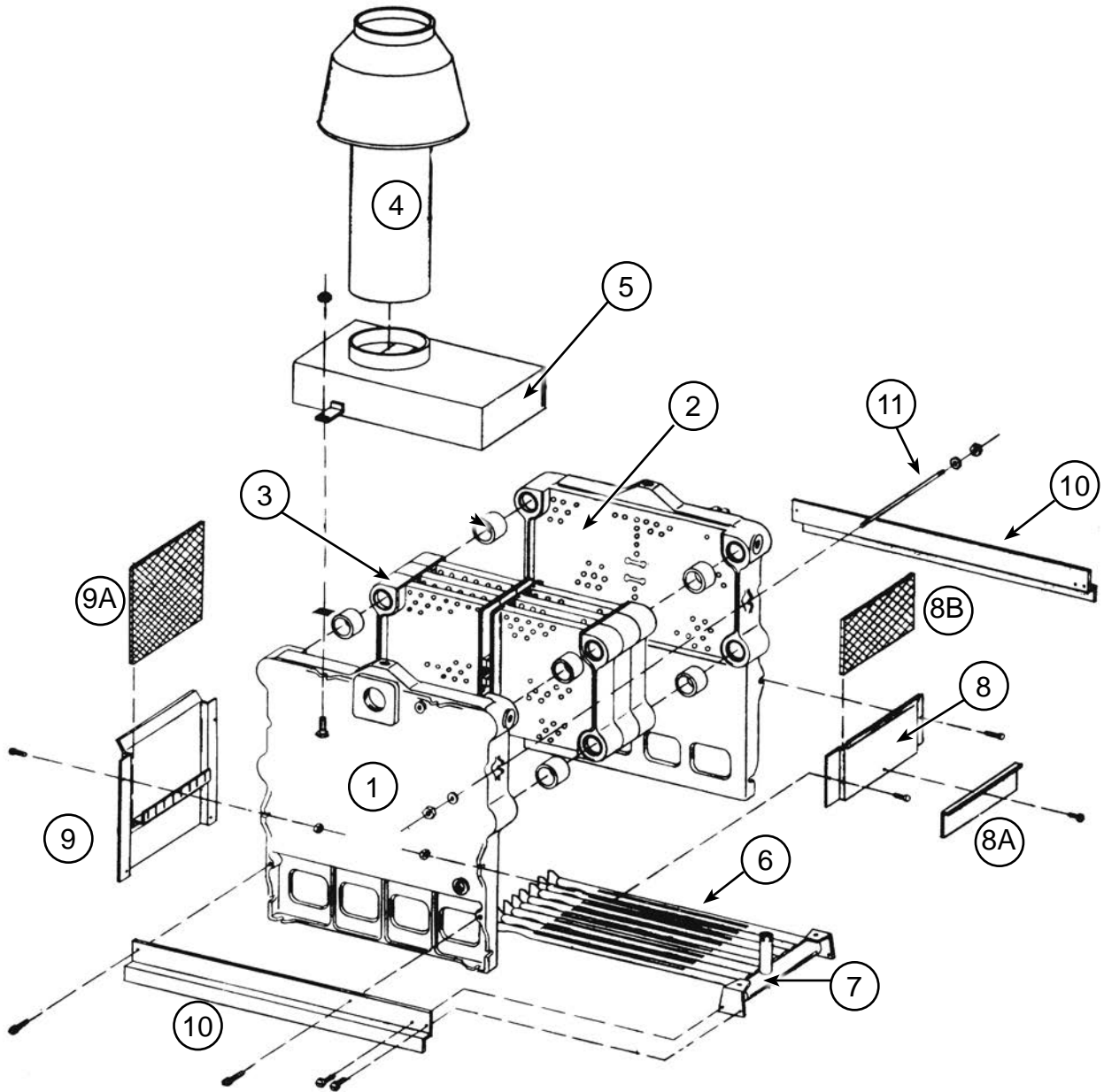
Fig. No.	Part No.	Description	Quantity/ Boiler Base
1	510-811-456	Flame Guardian WFG Ignition/Sensing Control Module (Complete) Conversion Kit From Honeywell S86H To Universal Control System	1,2
2	450-003-593	Mounting System	1,2
3 & 4	511-330-097	Pilot Proving Ignition/Sensing Control Module, 24 Volt	1,2
5	512-050-013	Terminal Block	1,2
6	510-312-166	Combination Transformer-Relay Receptacle, 120/24 Volt, 40VA, Plate Mounted	1 1
7	511-842-364	Control Transformer, 120/24 Volt, 75 VA, Foot Mounted With Circuit Breaker	1 1

LGB - Series 1 - Natural Gas
 Gas Pressure Switch / Accessory Parts



Fig. No.	Part No.	Description
1	511-624-555	High Gas Pressure Switch, SPDT, Manual Reset, Lockout On Pressure Rise, Diaphragm Type 3.0-21.0" W.C. Range, 1.0-3.0" W.C. Differential, 1/4" N.P.T. Female Vent Connector, With Switch Position Indicator (2 Required For LGB-21 Through LGB-23)
2	561-643-451	Union, 1/8" Male N.P.T. x 1/4" CC (4 Required For LGB-21 Through LGB-23) (Purchase Locally)
3	560-742-915	Aluminum Tubing, 1/4" O.D. x 100" Roll
N/S	511-330-229	Pilot Switch Box - Replaces WR 3048-25 - Must Add Thermocouple

PFG - Series 1 Through 7 Section / Base Assembly



PFG - Series 1 Through 7 Section / Base Assembly Parts

Fig. No.	Part No.	Description	Series
1	312-804-405	Left Hand End Section, 51113 *See Note 1	7
2	312-804-415	Right Hand End Section, 51117	7
3	312-804-416	Intermediate Section Half, 51125 (Requires 2 Per Intermediate Section)	7
N/S	321-114-507	Section Assembly, Complete With Well: PFG-5	1-7
	321-114-508	Section Assembly, Complete With Well: PFG-6	1-7
	321-114-509	Section Assembly, Complete With Well: PFG-7	1-7
	321-114-510	Section Assembly, Complete With Well: PFG-8	1-7
	386-700-856	Section Assembly Repair Kit (1 Per Joint) (Includes: Seals, Guide Ball Bearings, Silicone Sealant, Instructions) No Rope Silicone	7
4	450-021-200	Draft Hood, Vertical: PFG-5	1-7
	450-021-201	Draft Hood, Vertical: PFG-6	1-7
	450-021-202	Draft Hood, Vertical: PFG-7	1-7
	450-021-205	Draft Hood, Vertical: PFG-8	5-7
N/S	591-638-851	RTV 108 or Equivalent	1-7
5	450-014-819	Collector Hood, PFG-5	4-7
	450-014-820	Collector Hood, PFG-6	4-7
	450-014-821	Collector Hood, PFG-7	4-7
	450-014-822	Collector Hood, PFG-8	4-7
6	512-200-022	Burner, Tubular Steel, Regular	1-7
	512-200-023	Burner, Tubular Steel With Pilot Bracket	1-7
7	591-125-820	Manifold: PFG-5	1-7
	591-125-821	Manifold: PFG-6	1-7
	591-125-822	Manifold: PFG-7	1-7
	591-125-823	Manifold: PFG-8	1-7
8	452-800-500	Front Base Panel PFG-5	1-7
	452-800-501	Front Base Panel PFG-6	1-7
	452-800-502	Front Base Panel PFG-7	1-7
	452-800-503	Front Base Panel PFG-8	1-7
N/S	560-529-055	Main Burner Orifice (Natural) No. 37 Drill	1-7
	560-529-056	Main Burner Orifice (Propane) 1.65mm Drill	1-7
9	452-800-580	Base Back Panel PFG-5	1-7
	452-800-581	Base Back Panel PFG-6	1-7
	452-800-582	Base Back Panel PFG-7	1-7
	452-800-583	Base Back Panel PFG-8	1-7

*** Note 1: When replacing series 1-6 sections, entire block must be replaced. Series 1-6 used push nipples, no longer made. Series 7 uses elastomer seals.**

Number Of Burners

PFG-5: 7 Main Burners and 1 Burner With Pilot Bracket

PFG-6: 9 Main Burners and 1 Burner With Pilot Bracket

PFG-7: 11 Main Burners and 1 Burner With Pilot Bracket

PFG-8: 13 Main Burners and 1 Burner With Pilot Bracket

PFG - Series 1 Through 7
Section / Base Assembly Parts Continued

Fig. No.	Part No.	Description	Series
N/S	561-928-224	5/8" Nut (2 Per Tie Rod)	1-7
	562-248-701	5/8" Washer (2 Per Tie Rod)	1-7
	591-706-214	Flue Brush, 123 DMG	1-7
	591-638-851	Silicone Sealant RTV 700	5-7
	591-602-913	Retort Cement (1 Quart)	1-7
	460-003-700	Radiation Plate (2 Per Joint)	4-7
	452-800-449	Flue Baffle: PFG-5, 5A	4-7
	452-800-451	Flue Baffle: PFG-6	4-7
	452-800-453	Flue Baffle: PFG-8	4-7
	591-222-095	Flue Baffle Insulation: PFG-5,5A	4-7
	591-222-096	Flue Baffle Insulation: PFG-6	4-7
	591-222-098	Flue Baffle Insulation: PFG-8	4-7
	412-800-115	Jacket Replacement: PFG-5	1-7
	412-800-120	Jacket Replacement: PFG-6	1-7
	412-800-125	Jacket Replacement: PFG-7	1-7
	412-800-130	Jacket Replacement: PFG-8	1-7
	569-928-020	Jacket Hardware Kit	1-7
8A	452-800-540	Base Access Panel PFG-5	1-7
	452-800-541	Base Access Panel PFG-6	1-7
	452-800-542	Base Access Panel PFG-7	1-7
	452-800-543	Base Access Panel PFG-8	1-7
8B	591-222-020	Front Base Insulation: PFG-5	1-7
	591-222-021	Front Base Insulation: PFG-6	1-7
	591-222-022	Front Base Insulation: PFG-7	1-7
	591-222-025	Front Base Insulation: PFG-8	1-7
9A	591-222-030	Back Base Insulation: PFG-5	1-7
	591-222-031	Back Base Insulation: PFG-6	1-7
	591-222-032	Back Base Insulation: PFG-7	1-7
	591-222-033	Back Base Insulation: PFG-8	1-7
10	452-800-655	Right Hand/ Left Hand Base Rail (2 Required)	1-7
11	560-134-506	Tie Rod Without Nut (4 Per Boiler): PFG-5, 5/8" X 15.5"	1-7
	560-134-507	Tie Rod Without Nut (4 Per Boiler): PFG-6, 5/8" X 18.5"	1-7
	560-134-508	Tie Rod Without Nut (4 Per Boiler): PFG-7, 5/8" X 21.5"	1-7
	560-134-509	Tie Rod Without Nut (4 Per Boiler): PFG-8, 5/8" X 24.5"	1-7
N/S	592-002-030	Touch Up Paint - Blue/Gray - Low E 4.5 oz Can	

PFG - Series 1 Through 7 Water Trim Parts

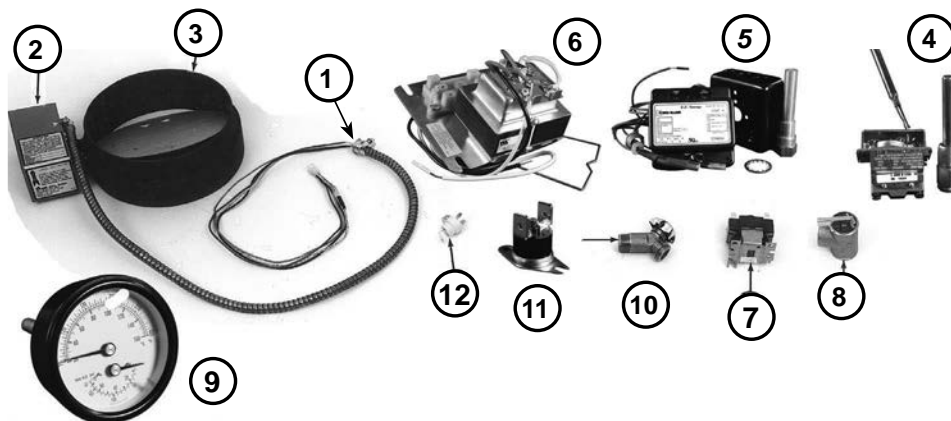
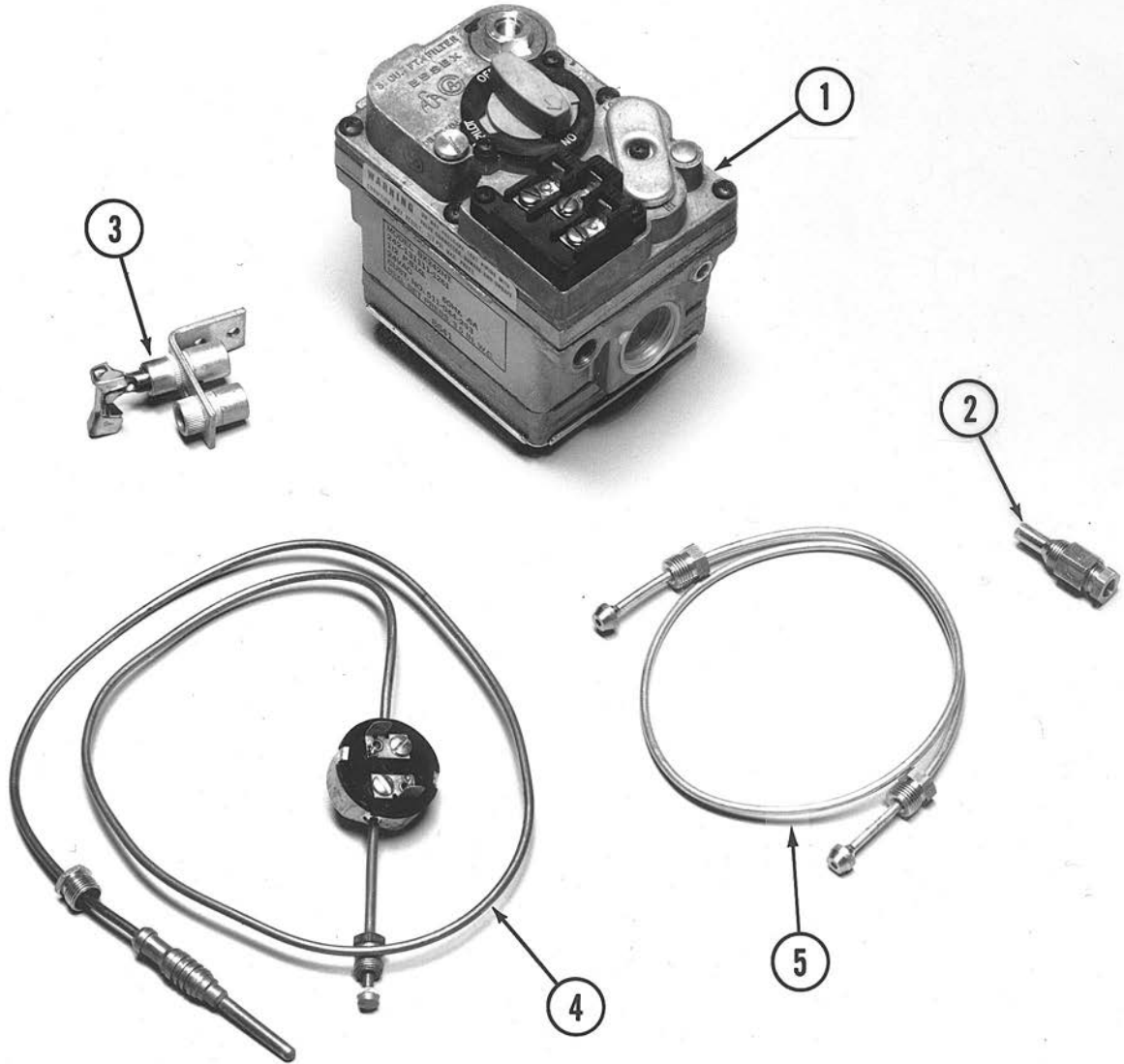


Fig.	Part No.	Description
Components For P/PID Models		
1	591-391-795	Vent Damper Wiring Harness
2	510-512-337	Vent Damper Motor Operator
3	381-800-477	Vent Damper Assemble, 7" (PFG-5)
	381-800-478	Vent Damper Assemble, 8" (PFG-6)
	381-800-445	Vent Damper Assemble, 9" (PFG-7, 8)
4	510-312-250	High Limit Control, SPST, Automatic Recycle, 140-240°F Range, 30° Fixed Differential With 3/4" N.P.T. Well
24 Volt Standing Pilot Components		
5	510-312-150	Combined Operating and Fixed High Limit Temperature Control, SPST, Automatic Recycle, Operating High Limit 140-240°F Range, Fixed High Limit 240°F With 1/2" N.P.T. Well
Components Common To All PFG Boilers		
6	510-312-166	Combination Transformer-Relay Receptacle, 120/24 Volt, 40Va
7	510-350-223	Plug-In DPST Relay With 24 Volt Holding Coil
8	383-600-091	ASME Relief Valve, Set To Relieve At 30 PSIG, 3/4" N.P.T. Female
9	510-218-097	Combination Gauge, 2 1/2" Dial, 0-60 PSIG, 60-260°F Long Shank, 1/4" N.P.T. Back Mount
10	511-210-423	Drain Valve, 1 1/2" Shank, 3/4" N.P.T.
11	510-300-013	Spill Switch With Reset, 210°F (PFG-5 Only)
12	512-050-230	Rollout Thermal Fuse Element, 228° C (PFG-5 Only)

PFG - Series 3 Through 7 Standing Pilot

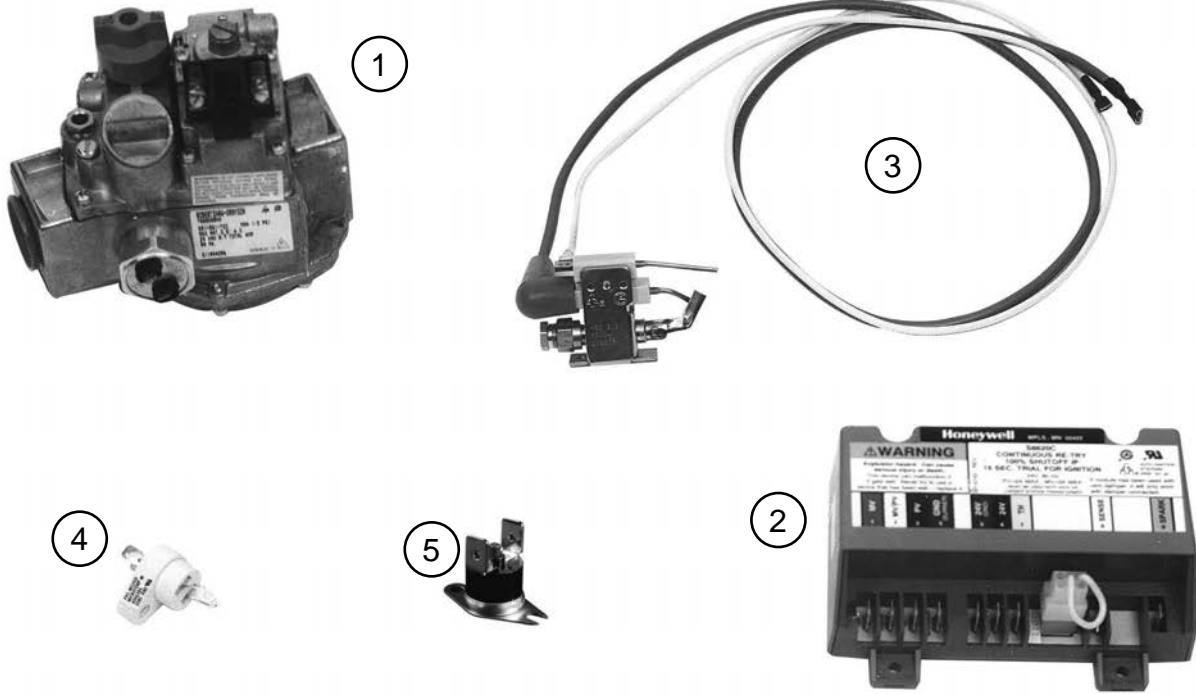


PFG - Series 3 Through 7 Standing Pilot Parts

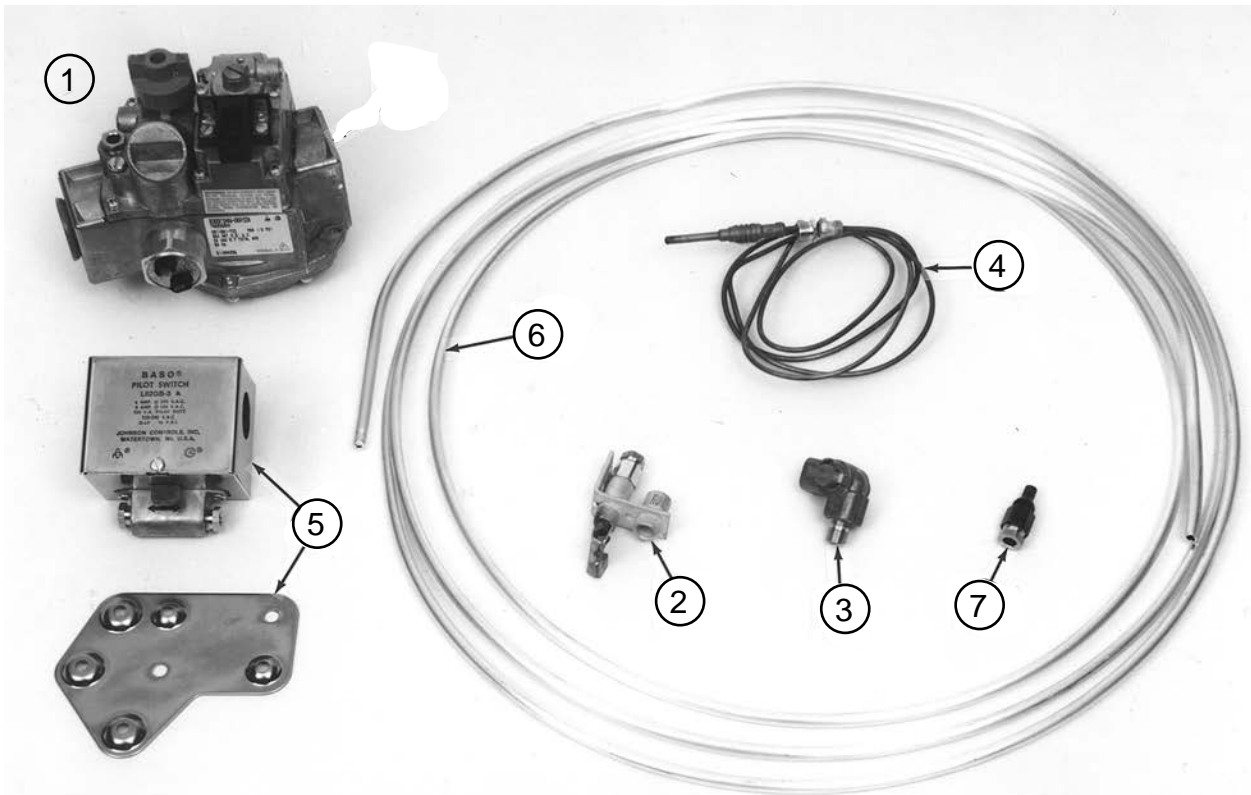
Fig. No.	Part No.	Description
Components For Natural Gas		
1		Combination Gas Control Valve, 511-044-219 Is Obsolete and Replaced By The Thermocouple To Thermopile Conversion Kit Below
	510-811-641	Thermopile Gas Valve Kit, 3/4" X 1" N.P.T., 24 Volt, Natural Gas (PFG 6 & 7 Only, Series 3 - 7)
2	560-528-950	Natural Gas Pilot Orifice, A26, .026 Diameter
N/S	510-811-461	Thermocouple to Thermopile Conversion Kit, Natural Gas (PFG 6 & 7 Only, Series 3 - 7) (Includes: Natural Gas Valve, Lead Wire, Thermopile and Instructions)
Components For Propane Gas		
1		Combination Gas Control Valve, 511-044-277 Is Obsolete and Replaced By The Thermocouple To Thermopile Conversion Kit Below
	510-811-643	Thermopile Gas Valve Kit, 3/4" X 1" N.P.T., 24 Volt, Propane Gas (PFG 6 & 7 Only, Series 3 - 7)
2	560-528-957	Propane Gas Pilot Orifice, 0.010 Diameter
N/S	510-811-462	Thermocouple To Thermopile Conversion Kit, Propane Gas (PFG 6 & 7 Only, Series 3 - 7) Includes Propane Gas Valve, Lead Wire, Thermopile, and Instructions.
Common Components		
3	511-330-186	Pilot Burner, Constant Burning Thermally Supervised
4		Thermocouple With Spade Terminal Block, Is Obsolete and Replaced By The Thermocouple To Thermopile Conversion Kit
5	560-742-860	Pilot Tubing, 1/8" O.D. Alum. X 22-3/4" Long With Compression Fittings
	511-724-259	Thermopile, 36" (PFG 6 & 7 Only, Series 3 - 7)
N/S	590-850-561	Lead Wire, 5" (PFG 6 & 7 Only (Series 3 - 7)
	591-391-879	Wiring Harness PFG 6 & 7

PFG - Series 4 Through 7 Intermittent Pilot

Natural Gas



Propane Gas

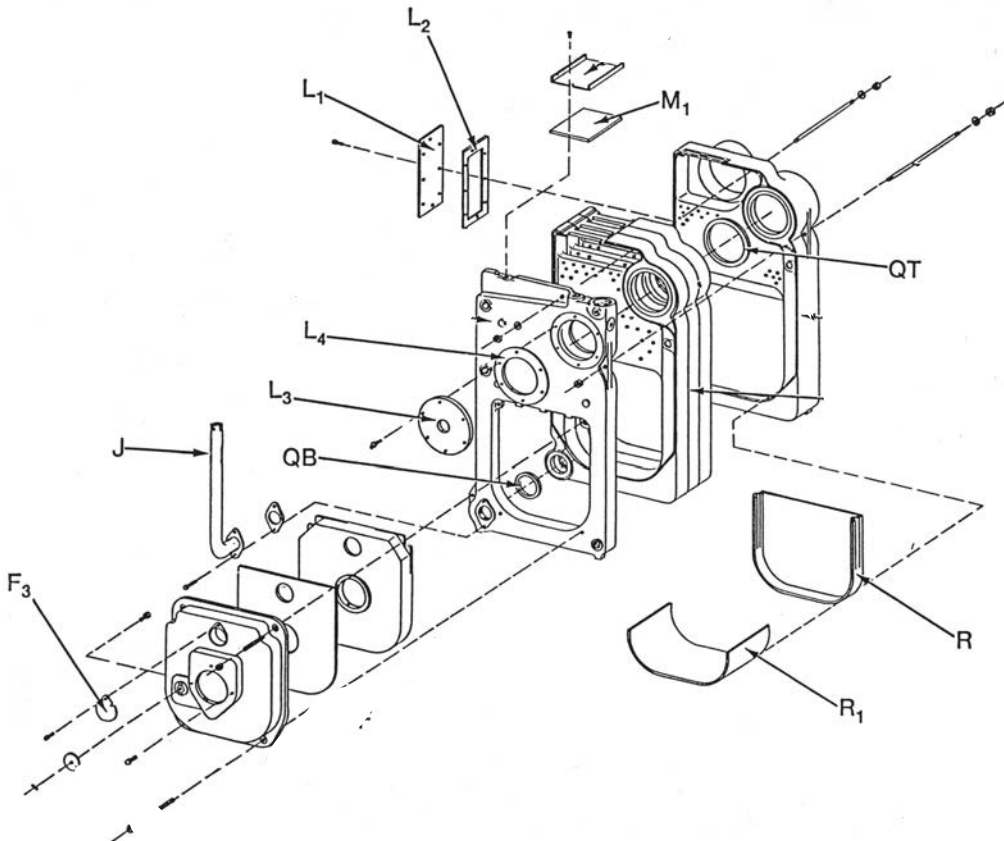
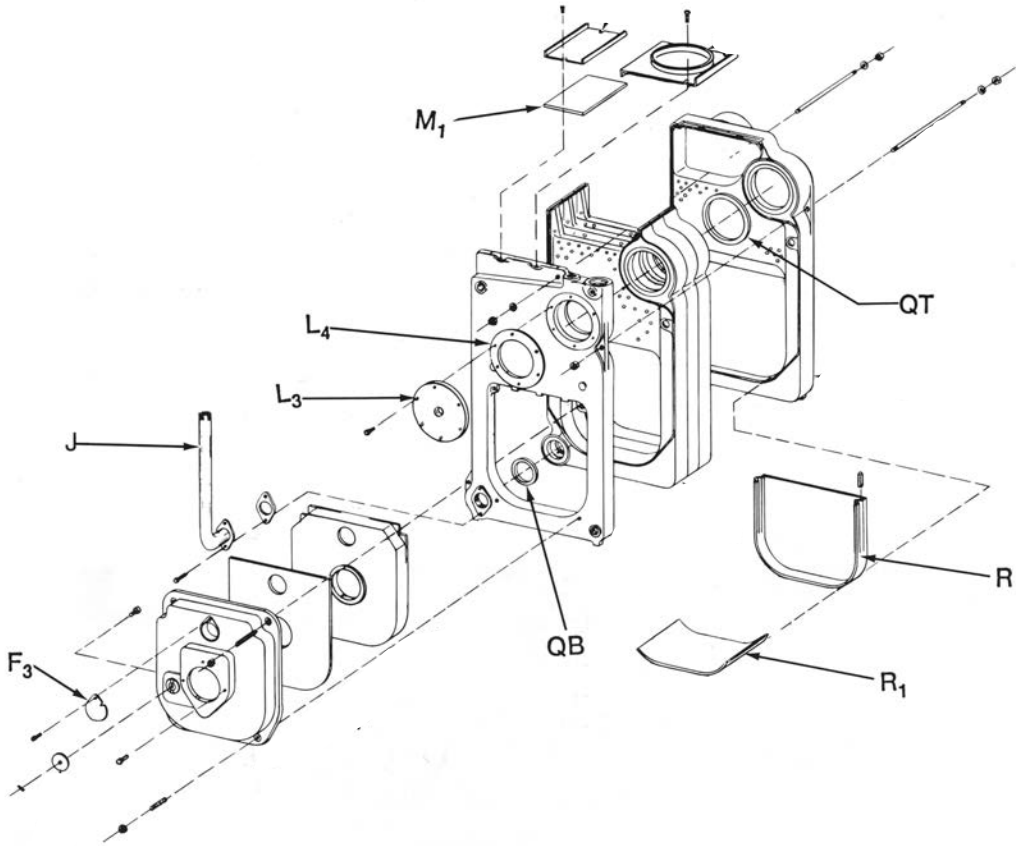


PFG - Series 3 Through 7 Intermittent Pilot Parts

Fig. No	Part No.	Description
Components For Natural Gas		
1	511-044-382	*Combination Gas Valve, ¾" X ¾" N.P.T., 24 Volt, PF-5
	511-044-286	*Combination Gas Valve, ¾" X 1" N.P.T., 24 Volt, PFG-6/7
	511-044-287	*Combination Gas Valve, 1" X 1" N.P.T., 24 Volt, PFG-8
2	511-330-097	Ignition-Sensing Control Module Without Damper Molex Jumper, Series 6 & 7
	511-330-095	Ignition-Sensing Control Module With Damper Molex Jumper, Series 4 & 5
3	511-330-221	N/G PIN Pilot Burner Assembly With Pilot Burner, Orifice, Sensing Lead and Ignition Cable
N/S	511-330-170	Combination Safety Pilot Burner With Ignition Sensing Electrode and Natural Gas Orifice-- Series 4
4	512-050-230	Thermal Fuse Element 229°
5	510-300-013	Spill Switch With Reset 210° (PFG-5)
Components For Natural Gas Series 3 Only		
N/S	511-330-104	Pilot Burner w/ Igniter, Wire and Orifice- Johnson Only
	511-330-163	Pilot Assembly w/ Igniter/Sensor and orifice- Johnson Only
	511-724-264	Sensing Probe With Spade Terminal- Johnson Only
	511-724-270	Sense Wire, 30" Long- Johnson Only
	560-742-860	Pilot Tubing, ⅛" o.d. Alum. X 22 ¾" Long, With Comp. Fitting
	591-391-798	Ignition Sensing Cable, 36" Long- Honeywell S86H Only
Components For Propane Gas		
1	511-044-278	*Combination Gas Control Valve, ¾" X 1" N.P.T., 24 Volt, PFG-6,7
	511-044-279	*Combination Gas Control Valve, 1" X 1" N.P.T., 24 Volt, PFG-8
2	511-330-222	Pilot Assembly With Ignition Lead and Orifice
3	511-246-340	Pilot Shut-off Valve, ⅛" N.P.T. X ¼" CC
4	511-724-245	Thermocouple, 48"
5	511-330-229	Pilot Switch Box
6	560-742-905	Aluminum Tubing, ¼" O.D. X 60"
7	511-330-186	Standing Pilot Burner N.P.T. Orifice
N/S	560-528-957	LP orifice For Pilot Burner (Above)
Components For Natural And Propane Gas		
	591-391-878	Wiring Harness PFG-5 PI
	591-391-880	Wiring Harness PFG-6,7,8 PI
	510-811-405	Conversion Kit: Natural To LP PFG 6 & 7 - SP Models Only
	510-811-406	Conversion Kit: Natural To LP PFG 6 & 7 - PI Models Only
	510-811-407	Conversion Kit: Natural To LP PFG 8 - PI Models Only
Conversion Kit For Honeywell S86H1121/Johnson G60PFL-1 (Natural Gas Only)		
N/S	510-811-457	Conversion Kit Includes Control Module-UT-1003-510, Pilot Assembly, Wiring, and Instructions

P-68V / B-68V / A-68V / P-68 / B-68 / A-68
Section Assembly

OIL



P-68V / B-68V / A-68V / P-68 / B-68 / A-68
Section Assembly Parts

T10

Fig. No.	Part No.	Description
Sections and Burner Mounting Plate Are Obsolete and No Longer Available.		
F3	460-039-867	Observation Port Shutter
J	591-124-002	Return Pipe Manifold
N/S	590-317-535	Gasket For Return Pipe Manifold
L1	450-030-934	Cover Plate For Heater Opening (Rectangular)
L2	590-317-579	Gasket For Cover Plate (Rectangular)
L3	592-243-217	Cover Plate For Heater Opening (Round) (P-68-WT) (P-68V) ¾" Hole
	592-243-216	Cover Plate For Heater Opening (Round) (A/68), P-68-S(T) (A & B-68V) 1½" Hole
L4	590-317-495	Gasket For Cover Plate (Round)
N/S	560-340-577	Tankless Stud and Nut, Rectangle Plate Requires 8, Round Plate Requires 6
R	386-500-085	Combustion Chamber Replacement Kit (Includes: Insulation Blanket, Back Refractory, Front Refractory, ¾" X 5' Rope For Door, 4 Oz. Waterglass, Installation Instructions)
N/S	591-000-061	Front Door Refractory
	591-221-054	Door Cerafelt (Between Plate and Refractory)
R	591-000-064	Back Refractory
R1	591-221-236	Refractory Blanket (Apply Using Waterglass, Fits All Sizes of Boiler)
N/S	591-632-612	Waterglass, 4 oz.
	590-735-122	¼" Rope For Sections, 22¾" Long (4 Pieces Required Per Joint)
	591-706-214	Flue Brush, 123DMG
M1	386-500-086	Cleanout Plate Gasket Kit, For All Sizes of Boiler
QB	592-800-010	3" Dia. Bottom Elastomer Seal (1 Per Joint)
QT	592-800-007	6" Dia. Top Elastomer Seal (1 Per Joint)
N/S	389-900-101	Round Tankless Cover Plate Kit With 1½" N.P.T Tapping, 6 Studs with Nuts, and Tankless Gasket
	389-900-102	Round Tankless Cover Plate Kit With ¾" N.P.T Tapping, 6 Studs with Nuts, and Tankless Gasket
	389-900-103	Rectangular Tankless Cover Plate Kit With 8 Studs and Nuts and Tankless Gasket
	590-735-105	¾" X 5' Rope For Door Seal
	592-002-030	Touch Up Paint - Blue/Gray - Low E 4.5 oz Can

P-68V / B-68V / A-68V / P-68 / B-68 / A-68
Water Trim Parts

OIL



Fig. No.	Part No.	Description	Boiler Size
Water Trim Components Common To All 68 And 68V Water Boilers			
1	510-218-099	Combination Pressure-Temperature Gauge, 2½" Dial, 0 – 60 PSIG, 60-260°F Short Shank, Back Connection, ¼" N.P.T.	All
	510-218-097	Combination Pressure-Temperature Gauge, 2½" Dial, 0 – 60 PSIG, 60-260°F Long Shank, Back Connection, ¼" N.P.T.	All
2	383-600-091	ASME Pressure Relief Valve, Set To Relieve At 30 PSIG, ¾" N.P.T. Female Inlet	All
			All

P-68V / B-68V / A-68V / P-68 / B-68 / A-68
Water Trim Parts Continued

Fig. No.	Part No.	Description	Boiler Size
Additional Water Trim Components For P-68 And P-68V Water Boilers			
3	511-210-423	¾" N.P.T. Drain Cock	All
4	511-405-115	Circulator, 1/12 H.P., 120/60/1 Motor, 1,750 R.P.M.	All
5	381-354-526	Circulator Hardware Kit (Includes: 1 Flange, 2 Bolts, 2 Nuts, Diamond Gasket, 1¼" N.P.T.)	All
6	590-317-543	Circulator Gasket For Taco Circulators (Two Required)	All
	590-317-535	Circulator Gasket For Bell & Gossett Circulators (Two Required)	All
N/S	590-921-904	Tankless Heater – Water Boiler (Includes: Heater, Gasket, Nuts And Studs)	368,468
	590-921-905	Tankless Heater – Water Boiler (Includes: Heater, Gasket, Nuts And Studs)	568,668
	590-921-901	Tankless Heater – Water Boiler (Includes: Heater, Gasket, Nuts And Studs)	768,868, 968
	560-340-577	Tankless Heater Nut and Stud	

T10

P-68V / B-68V / A-68V / P-68 / B-68 / A-68
Steam Trim Parts

OIL

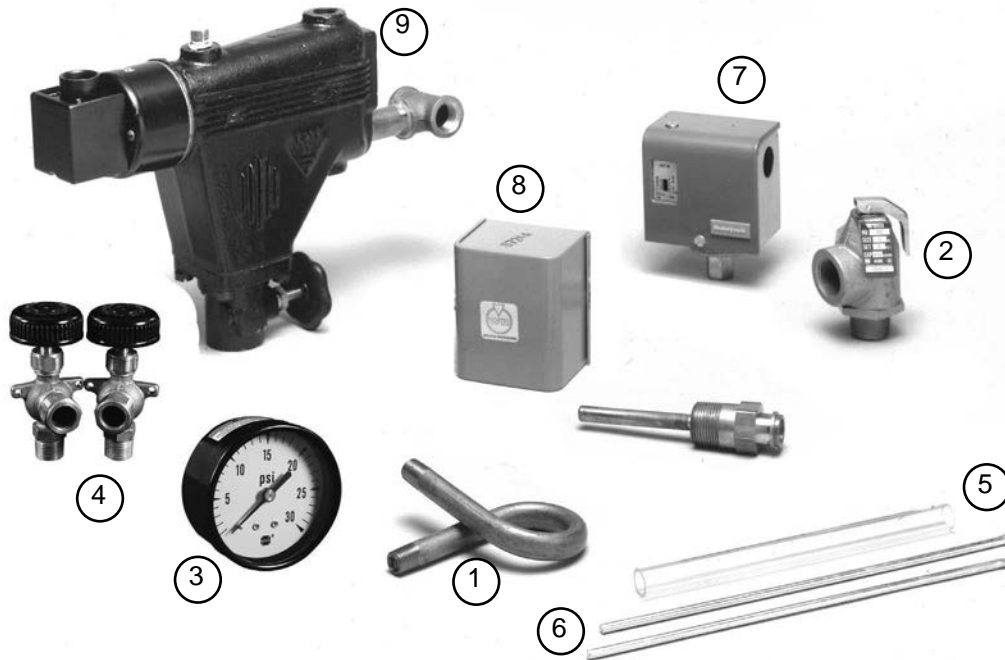


Fig. No.	Part No.	Description	Boiler Size
Steam Trim Components Common To All 68 Steam Boilers			
1	560-640-696	90° Syphon, ¼" Brass Pipe	ALL
2	383-600-106	ASME Steam Safety Valve, Set to Relieve at 15 PSIG, Side Outlet, ¾" N.P.T. Male Inlet, 446 lbs/hr Capacity	ALL ALL
3	510-218-045	Pressure Gauge, 0 – 30 PSIG, 2½" Dial, Back Connection, ¼" N.P.T.	ALL
4	510-218-135	Water Gauge Glass Cocks, Set ½" N.P.T.	ALL
5	383-600-000	Water Gauge Glass Kit, ⅝" x 7⅝" With Gaskets and Brass Washers	ALL
6	563-334-580	Water Gauge Glass Guard, 3/16" Dia. X 9⅜" Long (2 Required)	ALL
Additional Steam Trim Components For B-68 And P-68 Boilers			
7	510-312-135	High Pressure Limit, 0 – 15 PSIG Adjustable, Subtractive Differential 1 – 8 PSIG, Adjustable, Open on High Pressure Switch Action	ALL
8	510-312-209	High Limit Temperature Control, SPST, Automatic Recycle, 140° - 240°F Range, 10° Fixed subtractive Differential, with ¾" N.P.T. Well (Furnished with Tankless Heater) On Boilers With Tankless.	ALL ALL
Additional Steam Trim Components For P-68 Boilers			
9	511-114-494	Float type Low Water Cut-off, With ½" N.P.T. Connections and a ¾" Blow-Down Valve	3,4,5,6,7
N/S	590-921-903	Tankless Heater – Steam Boiler (Includes: Heater, Gasket, Nuts and Studs.) For Boiler Sizes 368 Thru 968	ALL
	560-340-577	Tankless Heater Nut and Stud	

Section Assembly Parts

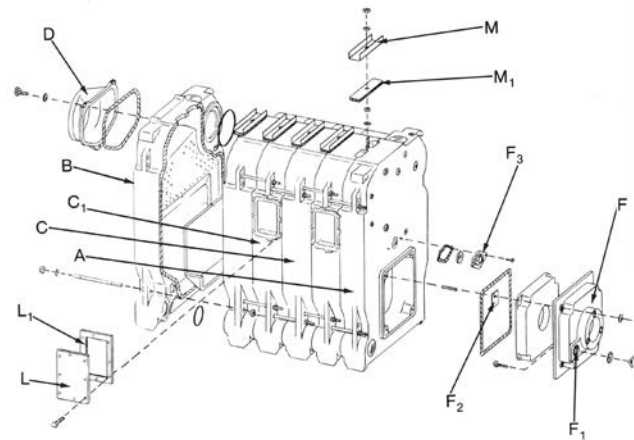


Fig. No.	Part No.	Description
Sections and Burner Mounting Plates Are Obsolete and No Longer Available		
N/S	592-800-009	3½" Dia. Bottom Elastomer Seal (1 Per Joint)
	592-800-008	7½" Dia. Top Elastomer Seal (1 Per Joint)
	560-134-485	⅝" x 9" Draw Rod With Out Nut (4 Per Joint)
	561-928-224	⅝" Nut (2 Per Draw Rod)
	562-248-710	⅝" Washer (1 Per Draw Rod)
	591-706-214	Flue Brush, 123 DMG
	590-735-150	⅜" Dia. Sealing Rope (1' For Observation Port Frame) – TP1000 Type MD-375
	590-735-140	Rope Fiberglass, ½" Diameter x 10' Per Joint, 5' For Door
M	450-030-924	Cleanout Plate (1 Per Joint)
M1	591-221-270	Gasket For Cleanout Plate (Apply Using Waterglass)
N/S	591-632-612	Waterglass, 4 oz.
	591-641-850	Construction Adhesive For Sealing Rope, 11oz. Tube
	591-638-850	Silicone Sealant, 10.3oz. Tube, RTV700
	591-638-851	Silicone Sealant, 3oz. Tube, RTV700
L	450-030-934	Cover Plate For Heater Opening (Rectangular)
L1	590-317-579	Gasket For Heater Cover Plate (Rectangular)
N/S	560-340-577	Tankless Nut and Stud
N/S	591-000-062	Front Refractory
F2	562-650-105	Refractory Retainer Clip-(4 Required)
F1	460-039-898	Secondary Air Shutter
F3	385-600-099	Observation Port Assembly (Includes: Frame, Rope, Gasket, Plugs and Sight Glass)
N/S	591-419-199	Sight Glass
	590-317-580	Washer For Sight Glass
	591-221-240	Back Refractory Blanket (Apply Using Waterglass)
	385-600-097	Back Refractory Blanket Kit (Includes: Blanket, Waterglass, ½" Rope, Construction Adhesive, Instruction Sheet and Warning Sheet)
	592-002-030	Touch Up Paint - Blue/Gray - Low E 4.5 oz Can

76 Water Trim / Control Parts

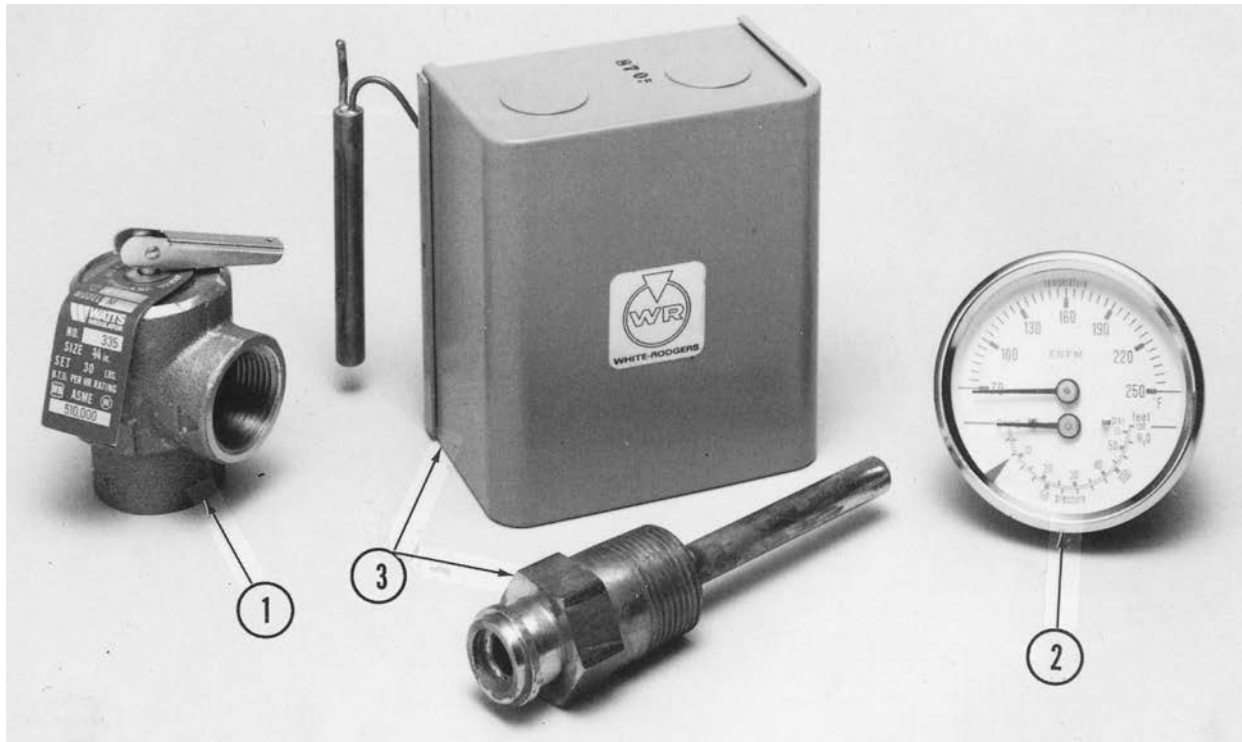


Fig. No.	Part No.	Description	76 Ser. 1 Boiler Size
1	383-600-091	ASME Pressure Relief Valve, Set To Relieve At 30 PSIG, 3/4" N.P.T. Female Inlet, Brass Side Outlet	4 - 7
	383-600-063	ASME Pressure Relief Valve, Set To Relieve At 30 PSIG, 3/4" N.P.T. Female Inlet, Brass Side Outlet	4 - 7
	383-600-063	ASME Pressure Relief Valve, Set To Relieve At 30 PSIG, 3/4" N.P.T. Female Inlet x 1" Female Side Outlet, Rated At 925,000 BTU/hr.	7 - 9
2	510-218-099	Combination Pressure-Temperature Gauge, 2 1/2" Dial, 0 - 60 PSIG, 60 - 260°F, Short Shank, Back Connection, 1/4" N.P.T.	ALL SIZES
3	510-312-065	Combination Operating and High Limit Control With Well, Operating Limit: 100-220° Range With 10-35°F Adjustable Subtractive Differential. High Limit: 140-240° Adjustable With 10°F Fixed Subtractive Differential	ALL SIZES
N/S	590-921-903	Tankless Heater - Water and Steam Boiler (Includes: Heater, Tankless Aquastat (Honeywell L4080B-1311), Gasket, Nuts and Studs.)	
	560-340-577	Tankless Nut and Stud	

76
Steam Trim / Control Parts

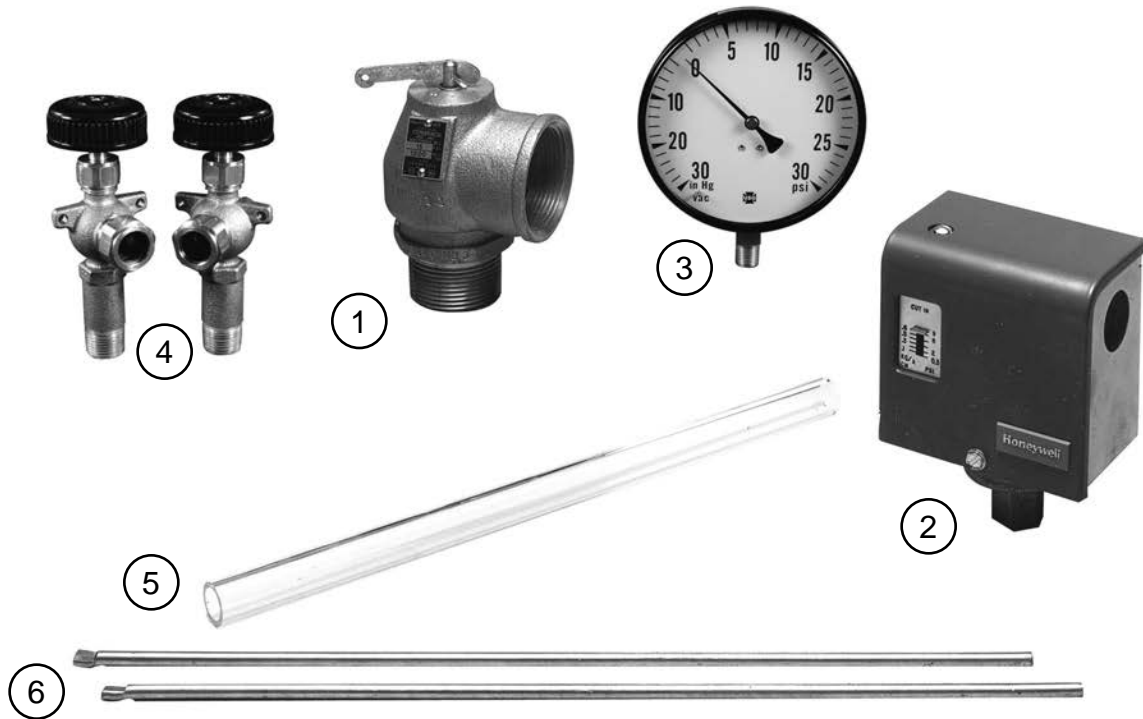
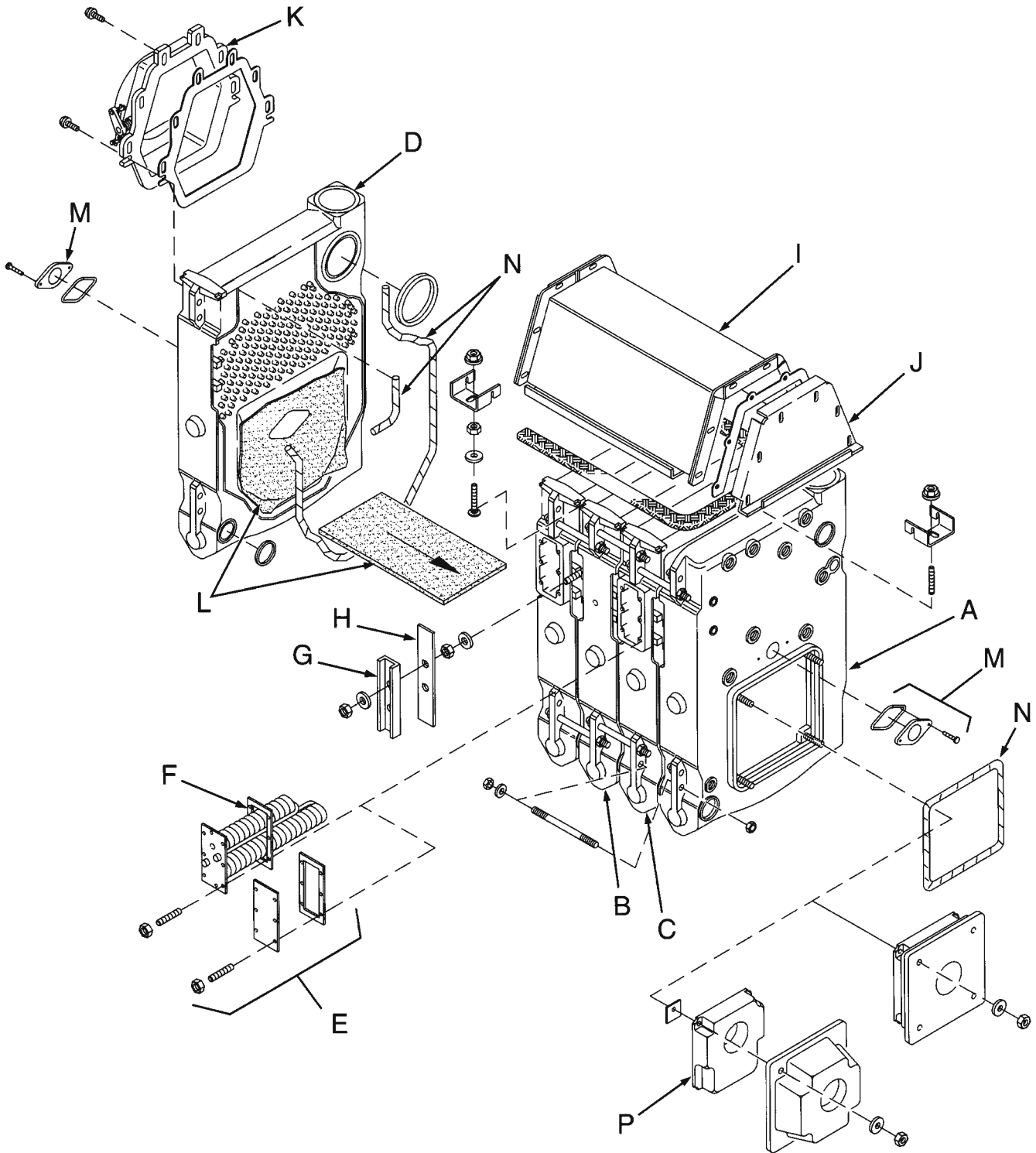


Fig. No.	Part No.	Description	Boiler Size
1	383-600-105	Steam Safety Valve, Set To Relieve At 15 PSIG, 3/4" N.P.T., Side Outlet, 450 lb./hr Steam Capacity	3 – 6 3 – 6
	383-600-107	Steam Safety Valve, Set To Relieve At 15 PSIG, 1" N.P.T. Inlet, 1" N.P.T. Side Outlet, 643 Lb./Hr. Steam Capacity	7 – 9
2	510-312-135	High Pressure Limit, Operating Range 0 – 9 PSIG, Differential 0 – 5 PSIG	ALL SIZES
3	510-218-100	Combination Pressure-Vacuum Gauge, 0 – 30 PSIG, 0 – 30" High, 4 1/2" Dial, Bottom Connection, 1/4" N.P.T., Spec 05549	ALL SIZES
4	510-218-145	Water Gauge Glass Cocks, Set, 1/2" N.P.T., Male inlet	ALL SIZES
5	383-600-002	Water Gauge Glass Kit, 5/8" x 10 5/8" With Gaskets and Brass Washers.	ALL SIZES
6	563-334-595	Water Gauge Glass Guards, 3/16" Dia. X 12 1/2" Long (2 Required)	ALL SIZES
N/S	590-921-903	Tankless Heater – Water and Steam Boiler (Includes: Heater, Tankless Aquastat (Honeywell L4080b-1311), Gasket Nuts and Studs)	
	560-340-577	Tankless Nut and Stud	

78
Section Assembly

GAS/OIL



Section Assembly Parts

Fig. No.	Part No.	Description											
A	315-700-059	Front Section – 80 PSI											
B	315-700-120	Intermediate Section, Regular – 80 PSI											
	315-700-150	Intermediate Section, Supply – Steam – 80 PSI											
C	315-700-140	Intermediate Section, Tankless – 80 PSI											
D	315-700-068	Back Section – 80 PSI											
N/S	385-800-205	Section Assembly Kit For One Joint (Includes: 10' Sealing Rope Sealing Rope Adhesive, Sealing Rings and Silicone Sealant)											
E	385-700-200	Heater Cover Plate Carton (Includes: Cover Plate, Gasket, Studs and Nuts)											
N/S	560-340-577	Tankless Nut and Stud											
F	590-317-550	Heater Gasket - 5¼" X 10"											
G	450-030-928	Cleanout Plate											
H	590-317-303	Cleanout Plate Gasket											
N/S	560-340-577	Heater Studs & Nuts ¾" X 1½"											
			3	4	5	6	7	8	9	10	11	12	
I	450-020-200	Flue Collector Hood "A" 14.4	1										
	450-020-210	Flue Collector Hood "C" 28.4			1			1	2	1			
	450-020-220	Flue Collector Hood "E" 42.4					1					1	
N/S	385-700-215	Flue Collector Hood Hardware Kit (Includes: Fat-Stitched Sealing Rope, Double-Faced Tape, Flue Collar Gasket, Collector Hood Gaskets, Hold-Down Clips, Stud and Hardware)											
	385-700-218	Collector Hood Gasket Kit (Includes: Fat-Stitched Sealing Rope, Double-Faced Tape, Flue Collar Gasket, Collector Hood Gaskets)											
J	450-020-225	Flue Collector Hood End Cap											
K	385-700-065	Flue Collar Assembly, 8"											
	385-700-070	Flue Collar Assembly, 10"											
	385-700-075	Flue Collar Assembly, 12"											
L	385-700-220	Combustion Chamber Kit (Includes: Back Refractory Blanket, Bottom Refractory Blanket, Waterglass, Sealing Rope and Sealing Rope Adhesive)											
N/S	562-650-105	Insulation Retainer Clip											
M	385-600-099	Observation Port Assembly (Includes: Observation Port, Sealing Rope and Screws)											
N/S	591-419-199	Observation Port Glass, 2" Round X ⅛"											
N	590-735-140	Rope Fiberglass ½" Diameter x 10' Per Joint											
P	591-000-070	Burner Mounting Plate Front Refractory 4" Burner Opening											
	591-000-072	Burner Mounting Plate Front Refractory 6" Burner Opening											
N/S	560-134-490	Draw Rod ⅝" X 10" (4 Per Joint)											
	562-248-728	Washers ⅝" (1 per Rod)											
	561-928-224	⅝" – 11 Nut (2 Per Rod)											
	592-800-008	7½" Elastomer Seal, Top											
	592-800-009	3½" Elastomer Seal, Bottom											
	592-002-030	Touch Up Paint - Blue/Gray - Low E 4.5 oz Can											

78 Water Trim Parts

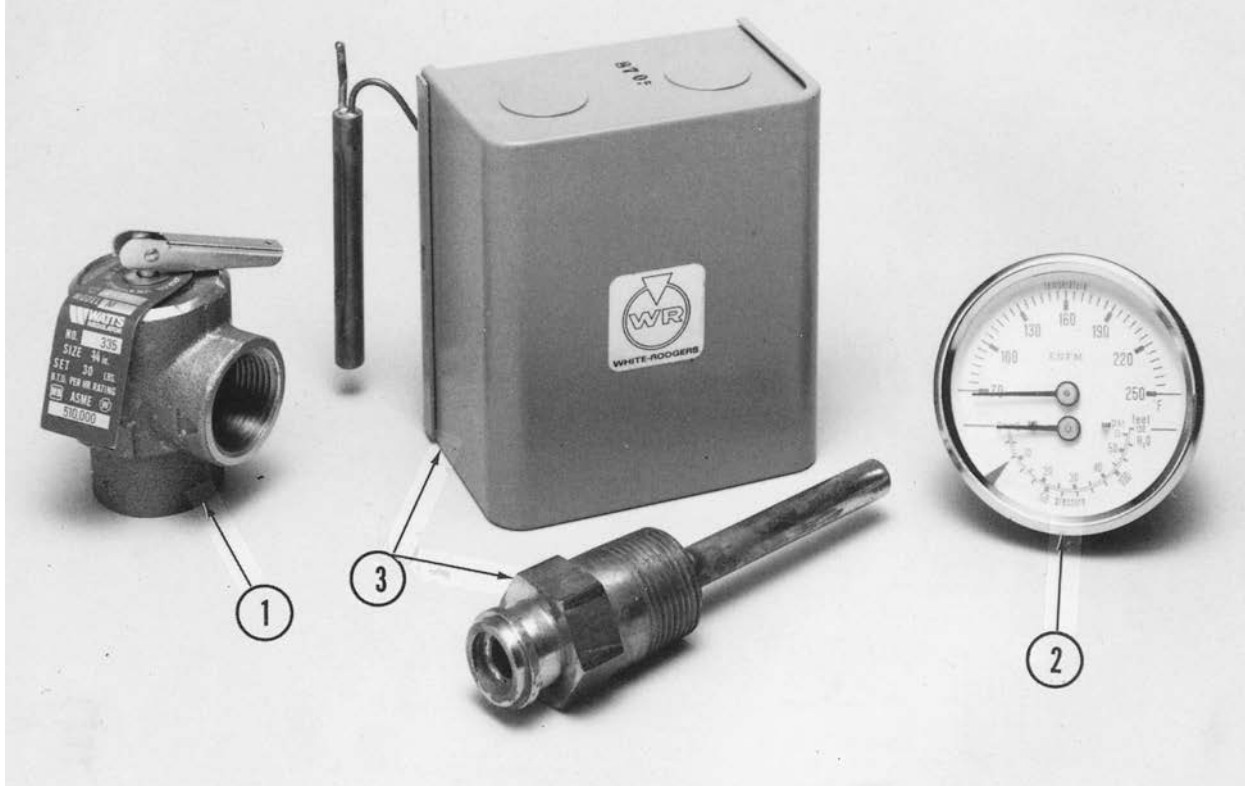
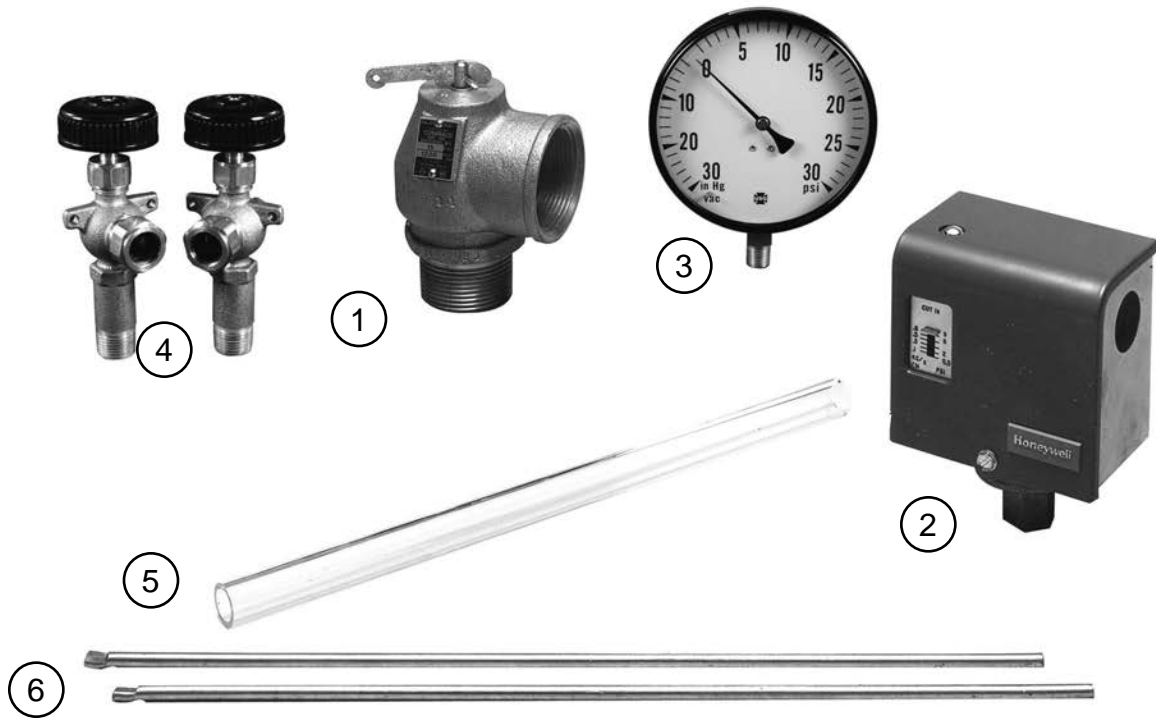


Fig. No.	Part No.	Description
1	383-600-091	ASME Pressure Relief Valve, Set To Relieve At 30 PSIG, 3/4" N.P.T. Female Inlet, Brass, 3/4" Female Side Outlet, Rated At 375,000 Btu/Hr Boiler Sizes (378 & 478)
	383-600-063	ASME Pressure Relief Valve, Set To Relieve At 30 PSIG, 3/4" N.P.T. Female Inlet, Brass, 1" Female Side Outlet, Rated At 925,000 Btu/Hr Boiler Sizes (578 - 878)
	383-600-092	ASME Pressure Relief Valve, Set To Relieve At 30 PSIG, 1" N.P.T. Female Inlet, Brass, 1 1/4" Female Side Outlet, Rated At 1,300,000 Btu/Hr Boiler Sizes (978 - 1178)
	383-600-093	ASME Pressure Relief Valve, Set To Relieve At 30 PSIG, 1 1/4" N.P.T. Female Inlet, Brass, 1 1/2" Female Side Outlet, Rated At 2,105,000 Btu/Hr Boiler Size (1278)
2	510-218-099	Combination Pressure Temperature Gauge, 2 1/2" Dia. Dial, 0-170 PSIG, 70-320°F, Short Shank, Back Connection, 1/4" N.P.T.
3	510-312-065	Combination High Limit/Low Limit Control High Limit: 140-240°F Low Limit: 140-240°F With 5-35°F Adjustable Differential: Low Limit Must Be Set 20°F Below High Limit
N/S	590-921-917	Tankless Heater - Water Or Steam (Includes: Heater, Gasket, Nuts and Studs)
	560-340-577	Tankless Nut And Stud

78 Steam Trim Parts



GAS/OIL

Fig. No.	Part No.	Description
1	383-600-105	Steam Relief Valve, Set To Relieve At 15 PSIG, 3/4" N.P.T., Inlet, 3/4" Side Outlet, 446 Lbs. Lbs./Hr. Steam Capacity Boiler Sizes (378 - 478)
	383-600-107	Steam Relief Valve, Set To Relieve At 15 PSIG, 1" N.P.T., Inlet, 1" Side Outlet, 643 Lbs. Lbs./Hr. Steam Capacity Boiler Sizes (578 - 678)
	383-600-108	Steam Relief Valve, Set To Relieve At 15 PSIG, 1 1/4 " N.P.T., Inlet, Side Outlet, 1200 Lbs. Lbs./Hr. Steam Capacity, Brass Boiler Sizes (778 - 1078)
	383-600-109	Steam Relief Valve, Set To Relieve At 15 PSIG, 1 1/2" N.P.T., Inlet, Side Outlet, 1900 Lbs. Lbs./Hr. Steam Capacity, Brass Boiler Sizes (1178 - 1278)
2	510-312-135	Steam Pressuretrol
3	510-218-100	Combination Pressure Vacuum Gauge, 0-30 PSIG , 0-30" Hg., 4 1/2" Dial, Bottom Connection, 1/4" N.P.T.
4	510-218-145	Water Gauge Glass Cock Set, 1/2" N.P.T., Male Inlet
5	383-600-002	Water Gauge Glass Kit, 5/8" X 10 5/8" with Gaskets and Brass Washers
6	563-334-595	Gauge Glass Guards, 12 1/2" Long X 3/16" Diameter
N/S	590-921-917	Tankless Heater - Water or Steam (Includes: Heater, Gasket, Nuts and Studs)
	560-340-577	Tankless Nut and Stud

Electric Boiler
CER - Series 2
Parts

**Line Voltage Electrical Control Components Control List
Electrical Power Supply - 240/60/1**

Part No.	Description	Qty. Req'd Per Boiler		
		24	32	40
591-550-250	Element 8-Kilowatt 240-Volt Single-Phase With Gasket	3	4	5
590-317-523	Heating Element Gasket, Rubber 1¼"	5	5	5
592-243-200	Heating Element Opening Cover Plate	2	1	0
512-150-147	Heating Element Contactor, DPST, 24 Volt Holding Coil, 48.0 Amps, Rating-Resistive Load At 240 Volt	3	4	5
512-050-015	Line Voltage Terminal and Fuse Block	2	2	2
591-850-176	Heating Element Fuse 50 AMP 250 Volt	6	8	10
511-842-361	Transformer 208/240 Volt Primary To 24 Volt Secondary, 48 VA, Foot Mounting	1	1	1

**Line Voltage Electrical Control Components Control List
Electrical Power Supply - 208/60/1**

591-550-229	Element 8-Kilowatt 208-Volt Single or Three-phase With Gasket	3	4	5
590-317-523	Heating Element Gasket, Rubber 1¼"	5	5	5
592-243-200	Heating Element Opening Cover Plate	2	1	0
512-150-147	Heating Element Contactor, DPST, 24 Volt Holding Coil, 48.0 Amps, Rating-Resistive Load At 240 Volt	3	4	5
512-050-015	Line Voltage Terminal and Fuse Block	2	2	2
591-850-176	Heating Element Fuse 50 AMP 250 Volt	6	8	10
511-842-361	Transformer 208/240 Volt Primary To 24 Volt Secondary, 48 VA, Foot Mounting	1	1	1

**Line Voltage Electrical Control Components Control List
Electrical Power Supply - 208/60/3**

591-550-229	Element 8-Kilowatt 208-Volt Single or Three-phase With Gasket	3	4	5
590-317-523	Heating Element Gasket, Rubber 1¼"	5	5	5
592-243-200	Heating Element Opening Cover Plate	2	1	0
512-150-149	Heating Element Contactor, 3PST, 24 Volt Holding Coil, 50.0 Amps, Rating-Resistive Load At 480 Volt	3	4	5
512-050-017	Line Voltage Terminal and Fuse Block	3	3	3
591-850-174	Heating Element Fuse 30 AMP 250 Volt	9	15	15
511-842-361	Transformer 208/240 Volt Primary To 24 Volt Secondary, 48 VA, foot Mounting	1	1	1

ADDITIONAL

Electric Boiler
CER - Series 2
Parts

Line Voltage Electrical Control Components Control List Electrical Power Supply - 240/60/3				
Part No.	Description	Qty. Req'd Per Boiler		
		24	32	40
591-550-249	Element 8-Kilowatt 240-Volt Three-phase with Gasket	3	4	5
590-317-523	Heating Element Gasket, Rubber 1¾"	5	5	5
592-243-200	Heating Element Opening Cover Plate	2	1	0
512-150-149	Heating Element Contactor, 3PST, 24 Volt Holding Coil, 50.0 Amps, Rating-Resistive Load At 480 Volt	3	4	5
512-050-017	Line Voltage Terminal and Fuse Block	3	3	3
591-850-174	Heating Element Fuse 30 AMP 250 Volt	9	12	15
511-842-361	Transformer 208/240 Volt Primary To 24 Volt Secondary, 48 VA, Foot Mounting	1	1	1
Line Voltage Electrical Control Components Control List Electrical Power Supply - 480/60/3				
591-550-272	Element 8-Kilowatts 480-Volt Three-phase With Gasket	3	4	5
590-317-523	Heating Element Gasket, Rubber 1¾"	5	5	5
592-243-200	Heating Element Opening Cover Plate	2	1	0
512-050-017	Line Voltage Terminal and Fuse Block	3	3	3
591-850-178	Heating Element Fuse 15 AMP 600 Volt	9	12	15
511-842-362	Transformer 480 Volt Primary To 24 Volt Secondary, 48 VA, Foot Mounting	1	1	1

ADDITIONAL

Electric Boiler
CER - Series 2
Parts

Water Trim and Control Components Control List						
Electrical Power Supply - 208/60/1, 240/60/1, 208/6/3, 240/60/3, 480/60/3						
Part No.	Description	Qty. Req'd Per Boiler				
		24	32	40		
562-850-089	Door Latch With Retainer, Push-On Clip and Knob	1	1	1		
		1	1	1		
510-350-061	Control, DPST, Automatic Recycle Low Limit: 120-220°F Range, 10-25°F Adjustable Subtractive Differential High Limit: 140-240°F Range, 10°F Fixed Subtractive Differential	1	1	1		
383-600-091	ASME Pressure Relief Valve, Set To Relieve At 30 PSIG, ¾" N.P.T. Female Inlet, Brass, Side Outlet	1	1	1		
388-800-185	Replacement Pressure Gauge Kit	1	1	1		
Line Voltage Control Circuit Electrical Control Components Control List						
Electrical Power Supply - 208/60/1, 240/60/1, 208/6/3, 240/60/3, 480/60/3						
510-350-211	Electrical Delay Timer, Solid State, 2 ½ Minute Delay On Make, 24 Volt	2	3	4		
388-800-187	Thermal Time Delay Kit, 15 Sec. Delay on Make, 10 Sec. Delay On Break, SPST, 24 Volt	2	3	4		
510-350-219	Circulator Relay, SPST, 24 Volt Holding Coil	1	1	1		
512-050-022	Low Voltage Terminal Block	1	1	1		
Miscellaneous Parts						
592-002-030	Touch Up Paint - Blue/Gray - Low E, 4.5oz Can					

ADDITIONAL

Electric Boiler CE - Series 2 Parts

Part No.	Description
318-302-100	CES & CEW Section
590-317-523	Element Gasket, Rubber 1¼"
510-312-135	Pressuretrol
510-350-061	Limit Control Without Well 140-240°
510-350-211	Solid State Timer, 24 Volt, 2½ Minute Delay On Make
510-350-220	Time Delay Control - Thermal, 30 Second Delay On Make
510-350-219	Pump Relay Control
511-144-494	Low Water Cutoff, 24 Volt
510-632-088	Expansion Tank Without Fill Valve
511-210-423	Drain Cock ¾" N.P.T, 1½" Shank
511-210-434	Fill Valve Angle Style-90 With Built-in Strainer, Pressure Reducer, Check Valve Requires User Provided Shut-off Valve
511-405-117	Pump DWG DA-E100-A Electric Boiler
383-600-091	Water Relief Valve, 30 PSI, ¾" Female
383-600-105	Steam Relief Valve, 15 PSI, ¾" Female
511-842-365	Transformer 208/240 Volt
388-800-000	Transformer 480 Volt
512-050-013	Terminal Block
512-050-019	
512-050-021	
512-050-023	
512-150-147	Contactactor - Single Phase
512-150-149	Contactactor - Three Phase
562-850-089	Door Knob Latch With Pawl
563-334-580	Glass Guard Rods 3/16" x 9¾" - (2 Required)
383-600-000	Gauge Glass Kit (Includes: Glass, Gaskets, and Brass Washers)
591-550-164	Element With Gasket 16KW 208 Volt
591-550-165	Element With Gasket 16KW 240 Volt
591-550-166	Element With Gasket 16KW 480 Volt
591-550-229	Element With Gasket 8KW 208 Volt
591-550-250	Element With Gasket 8KW 240 Volt
591-850-176	Fuse 50AMP, 250 Volt
591-850-179	Fuse 30AMP, 600 Volt
591-850-181	Fuse 60AMP, 250 Volt
591-850-185	Fuse 10AMP
510-218-045	Steam Gauge Center Rear Mount 0-30 PSI
388-800-185	Replacement Pressure Gauge Kit
592-243-200	Element Opening Cover Plate
592-002-030	Touch Up Paint - Blue/Gray - Low E 4.5 oz Can

ADDITIONAL

**Electric Boiler
PER - Series 3
Parts**

Part No.	Description	Qty. Per Boiler		
		15	20	25
590-317-523	Heating Element Gasket, Rubber 1¼"	3	4	5
510-350-061	Combination Low Limit/High Limit Temperature Control, DPST, Automatic Recycle Low Limit: 120-220°F Range, 10-25°F Adjustable Subtractive differential. High Limit: 140-240°F Range, 10°F Fixed Subtractive Differential	1	1	1
510-350-211	Electronic Delay Timer, Solid State, 2½ Minute Delay On Make, 24 Volt	2	3	4
388-800-187	Thermal Time Delay Kit, 15 Sec. Delay On Make, 10 Sec. Delay On Break, SPST, 24 Volt	2	3	4
510-350-219	Circulator Relay, SPST, 24 Volt Holding Coil	1	1	1
510-632-088	Expansion Tank Without Fill Valve	1	1	1
511-210-423	Drain cock ¾" N.P.T 1½" Shank	1	1	1
511-210-434	Fill Valve Angle Style-90 With Built-in Strainer, Pressure Reducer, Check Valve Requires User Provided Shut-off Valve	1	1	1
511-405-117	Pump DWG, DA-E100-A Electric Boiler	1	1	1
383-600-091	ASME Pressure Relief Valve, Set To Relieve At 30 PSIG, ¾" N.P.T. Female Inlet, Brass, Side Outlet	1	1	1
		1	1	1
511-842-361	Transformer 208/240 Volt Primary To 24 Volt Secondary, 48VA, Foot Mounting	1	1	1
512-050-013	Low Voltage Terminal Block	1	1	1
512-150-147	Heating Element Contactor, DPST, 24 Volt Holding Coil	3	4	5
562-850-089	Door Knob Latch With Pawl	1	1	1
		1	1	1
590-317-535	Circulator Gasket (Two Required Per Unit)	2	2	2
		2	2	2
591-550-135	Element 5-Kilowatt 240-Volt Single-Phase With Gasket	3	4	5
591-850-172	Control Circuit Fuse 15 AMP	1	1	1
591-850-174	Control Circuit Fuse 30 AMP	6	8	10
592-300-010	Temperature Control Well, Brass. ¾" N.P.T.	1	1	1
510-148-567	Automatic Air Vent, Float Type, ⅛" N.P.T.	1	1	1
510-350-218	Pump Temperature Control	1	1	1
381-354-526	Circulator Universal Hardware Kit 1¼" (Includes: (1) 1 ¼" C.I. Pump Flange, (1) Universal Circulator Gasket, (2) Screws and Nuts)	2	2	2
388-800-185	Replacement Pressure Gauge Kit	1	1	1
592-243-200	Heating Element Opening Cover Plate	2	1	
592-002-030	Touch Up Paint - Blue/Gray - Low E, 4.5oz Can			

ADDITIONAL

Gold Plus / Ultra Plus / Plus Residential Water Heater Parts

ADDITIONAL

Part No.	Description	Model
633-900-130	Residential Thermostat, (Includes: Knob, Thermostat, Screws and Instructions) 90 -160 Degree Range	Plus 30-60 Gold & Ultra- Plus 30-80
633-900-102	Thermostat With Cover Plate Kit, (Includes: T-Stat, Knob, Snap Set, and Cover Plate with Fasteners, and Instructions)	Gold & Ultra Plus 30-80
635-600-145	Snap Set With Wire Connector	Gold & Ultra Plus 30-80
635-100-003	Automatic Air Vent # 400 - ½" N.P.T, 150 P.S.I - 240 Degree	ALL
635-700-014	Bag Assembly Kit – (Includes :Air Vent, Reducer Bushing, Brass Tee, Drain Valve, and Drain Valve Cap With Washer)	Gold & Ultra Plus 30-80
633-900-117	Drain Valve Kit - (Includes: ¾" Drain Valve, ¾" Brass Tee, Hose Bib)	Plus 30-60 Gold & Ultra- Plus 30-80
635-100-017	Zoning Circulator – (Taco 007)	Combo 40C
635-100-019	Zoning Circulator Priority Circuit Board – (Taco 007)	Combo 40C
633-900-209	Zone Valve Replacement Kit, (Includes: Valve body, Valve actuator, & Wiring harness)	Combo 30/40V
633-900-118	Dip Tube Kit – ¾" (Includes: 34" Dip Tube, O Rings, & Instructions)	ALL Size 30
633-900-119	Dip Tube Kit – ¾" (Includes: 42" Dip Tube, O Rings, & Instructions)	ALL Size 40
633-900-120	Dip Tube Kit – ¾" (Includes: 52" Dip Tube, O Rings, & Instructions)	ALL Size 60
633-900-125	Dip Tube Kit – ¾" (Includes: 61" Dip Tube, O Rings, & Instructions)	Gold & Ultra Plus 80
635-600-096	Dip Tube O-ring – ¾"	Plus 30-60 Gold & Ultra- Plus 30-80
635-600-061	Drywell Replacement Kit – (Includes: 19.68" Drywell, Loctite, and Instructions)	ALL 30
635-600-062	Drywell Replacement Kit – (Includes: 27.56" Drywell, Loctite, and Instructions)	ALL 40
635-600-063	Drywell Replacement Kit – (Includes: 37.40" Drywell, Loctite, and Instructions)	ALL 60
635-600-064	Drywell Replacement Kit – (Includes: 47.25" Drywell, Loctite, and Instructions)	ALL 80
635-600-150	Drywell O-ring Kit – (Includes: Rubber & Copper O-Rings, Loctite, and Instructions)	ALL
635-600-139	Plastic Top Cover (Old Style, Drywell in back) – (Specify Tank Size When Ordering)	Gold & Ultra Plus 30-80
633-800-440	Plastic Top Cover (New Style, Drywell In Front) – These Covers Used With Series 3 Tanks - (Need CP Number To Confirm) – (Specify Tank Size When Ordering)	Gold & Ultra Plus 30-80
	Gold Plus-30 – (CP Number Greater Than 5216231)	
	Gold Plus-40 – (CP Number Greater Than 5216747)	
	Gold Plus-60 – (CP Number Greater Than 5217621)	
634-200-166	Plastic Bottom	Gold & Ultra Plus 30-80

Plus
Commercial Water Heater Parts

Part No.	Description	Model
635-100-010	Commercial Thermostat – (Includes Thermostat and Instructions) 90 – 190° Range-- Has 2 Prong Connection	Plus 80/100/120 Gold Plus 100/110/119
635-600-080	Snap Set With Wire Connector	Plus 80/100/120 Gold Plus 100/110/119
635-600-205	Includes Thermostat Cover Plate With Plastic Fasteners, Thermostat Knob, Has Two Prong Connection	Plus 100/110/119
635-600-084	Thermometer	Plus 80/100/120
635-100-003	Automatic Air Vent – ½" N.P.T	ALL
633-900-115	Dip Tube Kit – 1½" (Includes: Dip Tube, O-Rings, & Instructions) , 61"	Plus 100/120 Gold Plus 100/110/119
635-600-098	Dip Tube O-ring – (1½")	Plus 100/120
635-600-065	Drywell Replacement Kit – (Includes: 51¼" Drywell, Loctite, & Instructions)	Plus 100/120
635-600-150	Drywell O-ring Kit – (Includes: Rubber & Copper O-Rings, Loctite and Instructions)	ALL
633-800-441	Plastic Top Cover --- 26½" Outside Diameter --- Series 3	Gold Plus 100/110
633-800-442	Plastic Top Cover --- 32¼" Outside Diameter --- Series 3	Gold Plus 119
634-200-167	Bottom Cover	Gold Plus 100/110
634-200-168	Bottom Cover	Gold Plus 119

ADDITIONAL

Multiple Boiler Control / Zone Controller Parts

EMCS Energy Management/Staging Control	
Part No.	Description
389-900-229	Universal 3-In-1 Sensor. Outdoor, Indoor Strap On, or Well Sensor
511-624-643	Pressure Sensor Assembly (Includes: Sensor With Transducer, Junction Box)
510-350-411	Output Relay, DPDT, 24 Volts DC
* EMCS Controls Are Obsolete. Replace With Appropriate BCP Panel. All Other Parts Are Obsolete With No Replacement.	
BCP Energy Management/Boiler Staging Control	
389-900-229	Universal 3-In-1 Sensor. Outdoor, Indoor Strap On, or Well Sensor
511-624-643	Pressure Sensor Assembly (Includes: Sensor With Transducer, Junction Box)
510-350-411	Output Relay, DPDT, 24 Volts DC
389-900-230	3/8" Brass Sensor Only, With 8" Leads
WMCR Circulator Zone Control	
510-311-021	Circulator Plug In Relay - (24 VAC Coil)
510-311-022	Control Plug In Relay - (120 VAC Coil) - (WMCR-3,4 and 6 ONLY)
591-850-078	18" Telephone Cable Connector - (Connects To WMCR-1E/4E)
511-842-370	Field Mounted 40 VA Transformer - (Not Used On WMCR-1E/4E)
WMZV Zone Valve Control	
510-311-021	Circulator Plug In Relay - (24 VAC Coil)
511-842-370	Field Mounted 40 VA Transformer - (Used On WMZV-4 ONLY)
511-842-364	Field Mounted 75 VA Transformer - (Used On WMZV-6 ONLY)
WMR Switching Relay	
510-311-021	Circulator Plug In Relay - (24 VAC Coil)
WM-ODR Outdoor Reset Control	
511-724-279	Two Wire Water Temperature Sensor
511-724-280	Two Wire Outdoor Sensor With Housing

ADDITIONAL

Burner Manufacturer Contact Information

When ordering burner repair parts from the following manufacturers, please provide UL Serial Number, Burner Model Number and Control/Burner Specification Number as appropriate.

R.W. Beckett Corporation
38251 Center Ridge Rd.
PO Box 1289
Elyria, OH 44035
440-327-1060

Carlin Combustion Technology, Inc.
70 Maple St.
East Long Meadow, MA 01028
413-525-7700

Power-Flame, Inc.
2001 S. 21st St.
Parsons, KS 67357
620-421-0480

Webster Engineering and Manufacturing Co., Inc.
619 Industrial Rd., Drawer 748
Winfield, KS 67156
620-221-7464

Riello Corporation Of America
35 Pond Park Road
Hingham, MA 02043
800-474-3556



SERVICE PARTS CATALOG
Issued June, 2020

For trade price schedule, wiring diagrams, boiler manuals or appropriate control supplement, please go to Weil-McLain.com