



WEIL-McLAIN®

Full Line Catalog



Unmatched high efficiency product selection

Weil-McLain has a full product line to satisfy every application need.

Evergreen: Premium Stainless Steel

- Award-winning stainless steel with advanced, easy to use controls
- Available in 5 sizes from 110K-399K



ECO Tec:

- Combi boiler with easy-to-use, color touchscreen control
- Available in 4 sizes from 80-199K



Ultra Series 4: Great value, corrosion-resistant

- Corrosion-resistant, coated aluminum heat exchanger
- Great value
- Available in 6 sizes from 80K-399K

AquaBalance Series 2: The cold-weather combi

- Low pressure drop provides reliable cold-weather heating performance
- Easy to service — open design, accessible from 3 sides
- Combi and heat-only models available in 3 sizes each



95%
AFUE

Great for
high temp
systems



GV90+: Longevity and high efficiency

The best of both worlds:

- Industry-leading, dependable cast iron
- High efficiency performance

Weil-McLain.com | Phone: 800-654-2109



Weil-McLain is a leading North American designer and manufacturer of hydronic comfort heating systems for residential, commercial and institutional buildings since 1881.

Product	Description	MBH Input Range	Page
Residential High-Efficiency Condensing Gas Boilers			5
Evergreen® Pro	Water Gas Stainless Steel Firetube	110-399	6
ECO® Tec	Water Gas Stainless Steel Firetube	80-199	8
Ultra®	Water Gas Nano-Coated Aluminum	80-399	10
AquaBalance®	Water Gas Stainless Steel Watertube Combi or Heat-Only	80-155	12
GV90+®	Water Gas Cast Iron with Stainless Steel Secondary Heat Exchanger	70-175	14
Residential Non-Condensing Cast Iron Boilers			17
CGi	Water Gas Induced Draft Cast Iron	48-222	18
CGa	Water Gas Atmospheric/Natural Draft Cast Iron	38-233	20
EG	Water or Steam Gas Cast Iron	75-282	22
Ultra® Oil	Water Oil Cast Iron	112-196	24
WGO	Water without Tankless Heater Oil Cast Iron	98-280	26
WTGO	Water with Tankless Heater Oil Cast Iron	98-280	28
SGO	Steam with Tankless Heater Option Oil Cast Iron	133-280	30
Commercial High-Efficiency Condensing Gas Boilers			33
Ultra® 230-399	Water Gas Nano-Coated Aluminum	230-399	34
Evergreen® Pro	Water Gas Stainless Steel Firetube	220-399	36
SlimFit® 550-750	Water Gas Aluminum	550-750	38
SlimFit® 1000-2000	Water Gas Aluminum	1000-2000	40
SVF™ 1500-3000	Water Gas Stainless Steel Firetube	1500-3000	42
Commercial Non-Condensing Cast Iron Boilers			45
LGB	Water or Steam Gas Atmospheric Cast Iron	350-2470	46
88 Steam	Steam Gas, Oil or Oil & Gas Cast Iron	996-5845	48
88 Water	Water Gas, Oil or Gas-Oil Cast Iron	960-5440	50
94 Steam	Water or Steam Gas, Oil or Oil & Gas Cast Iron	2540-8660	52
Indirect-Fired Water Heaters and Controls			55
Aqua Plus®	Stainless Steel Tank. 35, 45, 55, 85, and 105 Gallons		56
Aqua Pro®	Non-Metallic Tank. 30, 55, 80, and 119 Gallons		58
Controls	BCP, BMC, and BSC Boiler Control Panels		60
Financial Services			
GreenSky® Loan Program			62
Weil-McLain Financial Services Powered By LEAF™			63
Warranty Submission Process			64



Evergreen®
Stainless Steel
Firetube Boiler



ECO® Tec
Stainless Steel Firetube
Combination or Heat Only Boiler



Ultra®
Nano-Coated
Aluminum Boiler



AquaBalance®
Stainless Steel Watertube
Combination or Heat-Only Boiler



GV90+®
Cast Iron Boiler



EASY HEAT, EFFORTLESS COMFORT

Evergreen

SPECIFICATIONS

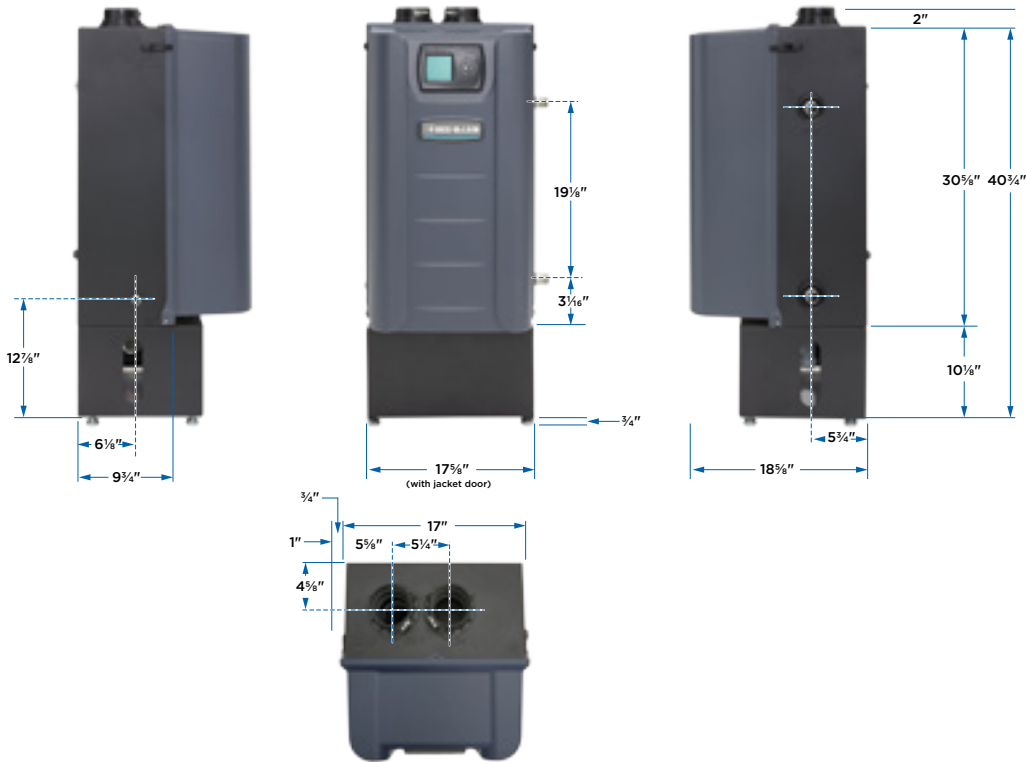
MODEL	EVG 110	EVG 155	EVG 220	EVG 299	EVG 399
CSA INPUT (MBH)	110	155	220	299	399
DOE HEATING CAPACITY (MBH)	101	143	206	280	383*
NET AHRI (MBH)	88	124	179	243	333
AFUE	95.0%	95.1%	95.0%	95.0%	96.5%*
VENT MATERIAL	PVC, CPVC, PP, SS (AL29-4C)	PVC, CPVC, PP, SS (AL29-4C)	PVC, CPVC, PP, SS (AL29-4C)	PVC, CPVC, PP, SS (AL29-4C)	PVC, CPVC, PP, SS (AL29-4C)
VENT/COMBUSTION AIR CONNECTION DIAMETER	3"	3"	4"	4"	4"
VENT/COMBUSTION AIR PIPE SIZE	3"	3"	3" or 4"	4"	4"
VENTING LENGTH	100'	100'	100'	100'	100'
MIN. RECOMMENDED PIPE SIZE	1"	1¼"	1¼"	1½"	1½"
SUPPLY/RETURN TAPPING	1"	1¼"	1½"	1½"	1½"
GAS CONNECTION SIZE	½"	½"	¾"	¾"	¾"
APPROX. SHIPPING WEIGHT (Lbs.)	125	145	215	260	260
WATER VOLUME (Gal.)	2.5	3.2	4.6	7.0	6.7

*Combustion Efficiency

†Model Dependent



DIMENSIONS MODEL 110-155



MODEL 220-399



STANDARD EQUIPMENT:

BOILER

- Stainless steel firetube heat exchanger
- Non-metallic heat exchanger base
- Floor standing or wall-mount
- Natural or LP gas
- Negative regulated combustion
- 5 to 1 turndown ratio (110-155)
- 10 to 1 turndown ratio (220-399)
- Boiler circulator
 - Taco ECM 007e (110)
 - Taco ECM 0015e (155)
 - Taco 0014 (220/299)
 - Taco 0013 (399)
- Low water cut-off

VENTING

- Direct vent 100 ft. for intake and 100 ft. for vent
- Direct exhaust
- Dual pressure zones
- Common combustion air

CONTROL FEATURES

- Easy installation with Setup Wizard
- Zone and/or priority based control
- Three thermostat inputs
- Outdoor reset for each priority
- Rate adjustable per priority
- 0-10V input (modulation or setpoint)
- Four total outputs
 - 1 dedicated boiler circulator output
 - 3 additional outputs can be used with circulators, dampers, or system aux
- Aux inputs — flow switch or end switch
- Aux outputs — system pump or damper
- Modbus® connectivity
- Additional heat demand contact

JACKET ASSEMBLY

- Fully removable jacket front door
- Adjustable boiler legs
- On/off power switch (220-399)
- Line voltage service receptacle (220-399)
- Mounting bracket ready for wall-mount kit (110-155)
- Condensate trap

OPTIONAL EQUIPMENT:

- Wall-mount kit (220-399)
- Concentric vent kit
- Condensate neutralizer kit
- Sidewall vent/air termination kit
- Maintenance kits
- Propane conversion kit
- Easy-Up manifold kit
- Service parts kit
- Water treatment — inhibitor & test kit

WARRANTY:

Transferable, Non-Prorated

RESIDENTIAL

- 12-year heat exchanger limited warranty
- 2 years on parts without registration or **5 years on parts with registration**

COMMERCIAL

- 10 years on primary heat exchanger
- 1 year on parts

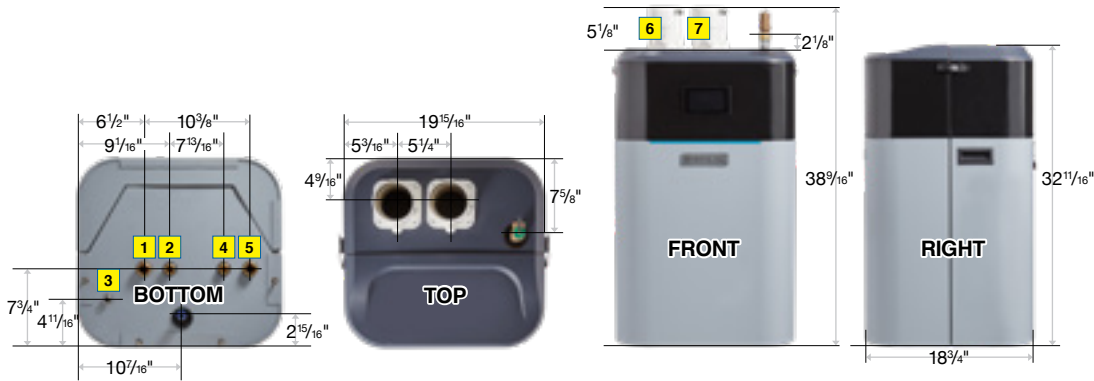


**HIGH EFFICIENCY
WALL MOUNT BOILER**

ECO Tec

Designed to be easy to install and service, this heat-first combi boiler features a long-lasting firetube heat exchanger and our next-generation, easy-to-use, color touchscreen control.

DIMENSIONS



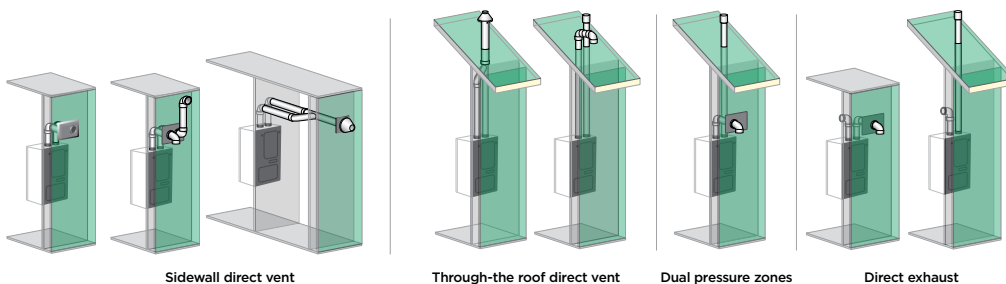
Connections (NPT / Inches)		80	110	150	199
1	Heating system supply tapping	1"	1"	1"	1"
2	Domestic hot water outlet	-	3/4"	3/4"	3/4"
3	Gas connection	1/2"	1/2"	1/2"	1/2"
4	Domestic cold water supply	-	3/4"	3/4"	3/4"
5	Heating system return tapping	1"	1"	1"	1"
6	Combustion air connection	3"	3"	3"	3"
7	Flue outlet connection	3"	3"	3"	3"

Domestic Hot Water Flow Rate Gallons Per Minute @ Temp Rise			
Model ¹	70°F	75°F	77°F
110-C	3.0	2.9	2.8
150-C	4.1	3.9	3.8
199-C	5.4	5.0	4.9

SPECIFICATIONS

		AHRI Certified Ratings							
Model ¹	Input (MBH)	DOE heating capacity MBH ²	Net AHRI Water Ratings (MBH) ³	DOE Seasonal Efficiency (AFUE)	Boiler Water Content (Gallons)	Vent/Air Pipe Size (Inches)	Vent Material	Boiler Weight (Lbs.)	
HEAT-ONLY	80-H	80	75	64	95%	2 or 3	PVC	104	
	110-H	110	112	87	95%	2 or 3	PVC	104	
	150-H	150	112	121	95%	2 or 3	PVC	117	
	199-H	199	144	160	95%	2 or 3	PVC (3" only), CPVC, PP, SS	127	
COMBI	110-C	110	75	87	95%	2 or 3	PVC	114	
	150-C	150	112	121	95%	2 or 3	PVC	126	
	199-C	199	144	160	95%	2 or 3	PVC (3" only), CPVC, PP, SS	135	

MULTIPLE VENTING OPTIONS



In the interest of continual improvement in product and performance, Weil-McLain reserves the right to change specifications without notice.

STANDARD EQUIPMENT:

BOILER

- Stainless Steel Firetube Heat Exchanger
- Non-Metallic Heat Exchanger Base
- 10:1 Turndown Ratio (110-199 Sizes)
- 8:1 Turndown Ratio (80 Size)
- Built-In ECM Circulator (Taco 0015e)
- 3-in-1 Air/Vent Adapters with Test Port
- Built-In LWCO Port
- Wall-Mount Bracket and Template
- Condensate Trap
- Low NOx SCAQMD Compliant
- High Altitude Approved

CONTROL MODULE

- Color Touchscreen Display
- Easy Setup with Control Wizard
- Zone and/or Priority-Based Control
- 4 Thermostat Inputs (2 on Combi)
- 0-10V Input (Modulation or Setpoint)
- Outdoor Reset for Each Priority
- Rate Adjustable per Priority
- 4 Outputs can be used (2 on Combi)
- with external circulators, dampers or system aux
- Aux Inputs—Flow Switch or End Switch
- Aux Outputs—System Pump or Damper
- Individually Fused 120V Outputs
- Modbus Connectivity
- Additional Heat Demand Contact
- Multi-boiler functionality with optional kit

OPTIONAL EQUIPMENT

- Easy-up manifold
- Isolation flush valves
- Paintable sidewall vent termination
- 2" and 3" concentric vent termination
- Low water cutoff
- Condensate neutralizer
- Water treatment and test kit
- Parts kit
- Maintenance kit
- Propane kit
- System sensors
- Boiler pedestal kit
- Multi-boiler wiring kit

LIMITED TRANSFERABLE WARRANTY:

- Residential: 12 Years Heat Exchanger; 2 Years Parts without registration (5 years on parts with registration)
- Commercial: 10 Years Heat Exchanger; 1 Year Parts

HIGH-EFFICIENCY CONDENSING BOILER

Water | Natural or Propane Gas | 80-399 MBH | 6 sizes
Series 4 | Direct Exhaust or Direct Vent | Up to 94.1% AFUE†

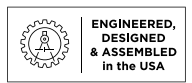
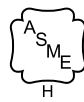


**HIGH EFFICIENCY
CONDENSING BOILER**

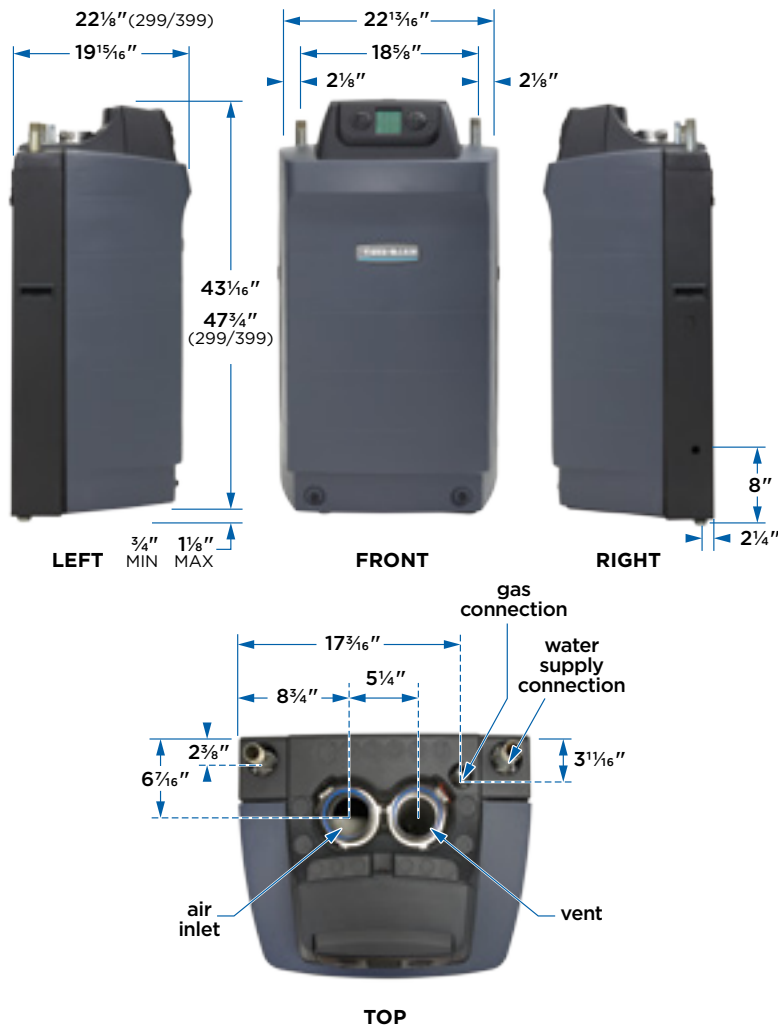
Ultra

The new Ultra Series 4 features a nano-coated heat exchanger to maximize efficiency and service life.

†Model Dependent



DIMENSIONS



DIMENSIONS	Ultra 80	Ultra 105	Ultra 155	Ultra 230	Ultra 299	Ultra 399
Min. Recommended Pipe Size	1"	1"	1 1/4"	1 1/4"	1 1/2"	1 1/2"
Supply Tappings	1"	1"	1"	1"	1 1/4"	1 1/4"
Return Tappings	1"	1"	1"	1"	1 1/4"	1 1/4"
Gas Connection Size	1/2"	1/2"	1/2"	1/2"	3/4"	3/4"

SPECIFICATIONS

RATINGS	Ultra 80	Ultra 105	Ultra 155	Ultra 230	Ultra 299	Ultra 399
CSA Input (Maximum)	80 MBH	105 MBH	155 MBH	230 MBH	299 MBH	399 MBH
CSA Input (Minimum)	16 MBH	21 MBH	31 MBH	46 MBH	62 MBH	80 MBH
DOE Heating Capacity	71 MBH	94 MBH	139 MBH	207 MBH	270 MBH	*364 MBH
Net AHRI	62 MBH	82 MBH	121 MBH	180 MBH	235 MBH	317 MBH
AFUE	93.5%	94%	94%	94.1%	92.5%	*91.7%

*Combustion Efficiency

DATA	Ultra 80	Ultra 105	Ultra 155	Ultra 230	Ultra 299	Ultra 399
Vent Size	2" or 3"	2" or 3"	3"	3" or 4"	4"	4"
Vent Material	PVC/CPVC/PP	PVC/CPVC/PP	PVC/CPVC/PP	PVC/CPVC/PP	PVC/CPVC/PP	PVC/CPVC/PP
Combustion Air Size	2" or 3"	2" or 3"	3"	3" or 4"	4"	4"
Water Volume	.69 Gal.	.82 Gal.	1.17 Gal.	1.57 Gal.	2.1 Gal.	2.1 Gal.
Approx. Shipping Weight	199 Lbs.	207 Lbs.	234 Lbs.	246 Lbs.	297 Lbs.	297 Lbs.

In the interest of continual improvement in product and performance, Weil-McLain reserves the right to change specifications without notice.

STANDARD EQUIPMENT:

BOILER

- Cast aluminum block
- 30 PSI ASME relief valve
- Drain valve
- Stainless Steel Burner (80, 105) with woven steel fiber mesh (155, 230, 299 & 399)
- Direct spark ignition
- Variable speed blower assembly
- Venturi mixing system with air silencer
- Negative pressure regulated gas valve
- 50 VA transformer
- Dual scale temp. & pressure gauge
- Outlet water temp. sensor
- Inlet water temp. sensor
- Flue gas temp. sensor
- Outdoor temp. sensor
- System water temp. sensors
- Fully removable jacket front
- Adjustable boiler legs
- On/off power switch
- Condensate trap with drain tee assembly
- Propane conversion orifice (all except model 80)

U-CONTROL MODULE

- 3.5" LCD display
- Three boiler priorities with multiple preset system configurations
- Color-coded removable terminal blocks
- Multiple boiler functionality
- Alarm control functionality
- Ignition control
- High limit & modulating temp. control
- Low water protection
- Outdoor reset
- Ability to control any combination of 3 circulators

BOILER CIRCULATORS

- 1" Flanges (80 & 105) Taco 007e
- 1" & 1 1/4" Flanges (155 & 230) Taco 0014
- 1 1/4" & 1 1/2" Flanges (299) Taco 0014
- 1 1/4" & 1 1/2" Flanges (399) Taco 0013

OPTIONAL EQUIPMENT

- Easy-Up manifold kit
- PVC concentric vent kit
- Sidewall termination cap
- Condensate neutralizer kit
- LWCO kit
- Wall mount kit
- Water treatment—inhibitor & test kit

LIMITED TRANSFERABLE WARRANTY:

RESIDENTIAL

- 12-year heat exchanger limited warranty
- 2 years on parts without registration or **5 years on parts with registration**

COMMERCIAL

- 10 years on primary heat exchanger
- 1 year on parts

Water | Heat-Only or Combination | Natural or Propane Gas | 80-155 MBH | 3 sizes
Series 2 | Direct Exhaust or Direct Vent | 95% AFUE



**HEAT-ONLY AND COMBINATION
GAS WALL MOUNT BOILERS**

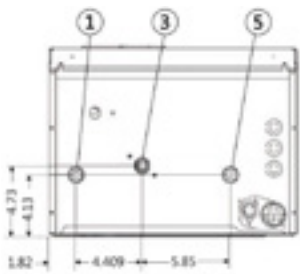


Efficiency and technology that exceeds the standard

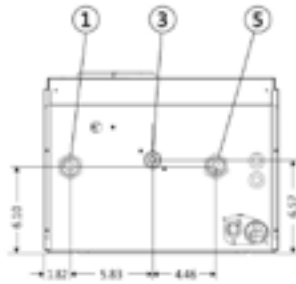
- Combi capacity supports simultaneous hot water uses
- Easy to install, compact design fits in tight spaces
- Easy serviceability and maintenance



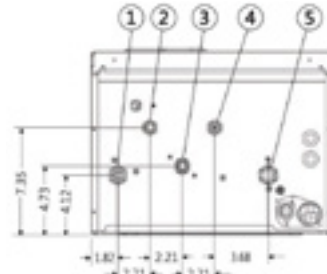
DIMENSIONS



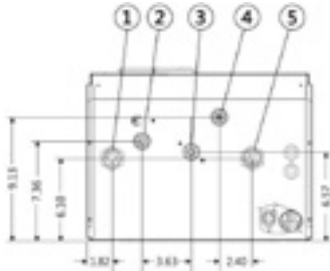
Heating Only Bottom (80/120)



Heating Only Bottom (155)



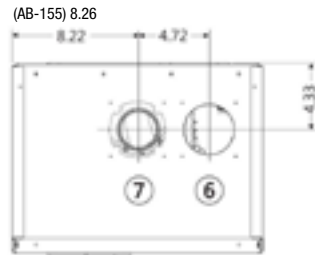
Combi Bottom (80/120)



Combi Bottom (155)



Front (80/120/155)



Top (80/120/155)

Connections (NPT/Inches)

		80/120	155
1	Heating system supply tapping	3/4"	1"
2	Domestic hot water outlet	3/4"	3/4"
3	Gas connection	1/2"	3/4"
4	Domestic cold water supply	3/4"	3/4"
5	Heating system return tapping	3/4"	1"
6	Combustion air connection	3"	3"
7	Flue outlet connection	3"	3"

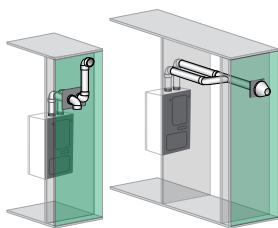
Domestic Hot Water Flow Rate (Based on 70° temperature rise)

Model ¹	Gallons per minute
WMB-80C	2.0
WMB-120C	3.2
WMB-155C	4.0

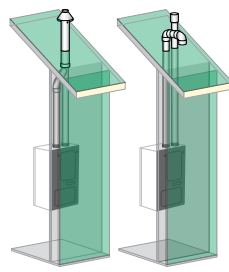
Input MBH AHRI Certified Ratings

	Model ¹	Input MBH		AHRI Certified Ratings			Vent/air pipe size (Inches) ⁴	Vent material	Boiler water content (Gallons)	Approx. shipping weight (Lbs.)
		Max.	Min.	DOE heating capacity MBH ²	AFUE	Net water rating MBH ⁵				
HEAT-ONLY	AB-80	80	8	75	95.0%	65	2 or 3	PVC, CPVC, PP, SS	1.03	64
	AB-120	120	12	112	95.0%	97	2 or 3	PVC, CPVC, PP, SS	1.23	67
	AB-155	155	15.5	144	95.0%	125	2 or 3	PVC, CPVC, PP, SS	1.23	67
COMBI	AB-80C	80	8	75	95.0%	65	2 or 3	PVC, CPVC, PP, SS	1.11	77
	AB-120C	120	12	112	95.0%	97	2 or 3	PVC, CPVC, PP, SS	1.31	80
	AB-155C	155	15.5	144	95.0%	125	2 or 3	PVC*, CPVC, PP, SS	1.33	87

VENTING



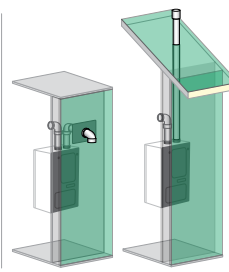
Sidewall direct vent



Through-the roof direct vent



Dual pressure zones



Direct exhaust

In the interest of continual improvement in product and performance, Weil-McLain reserves the right to change specifications without notice.

STANDARD EQUIPMENT: BOILER

- Stainless Steel heat exchanger
- Mounting bracket and hardware
- Spark ignition
- Outdoor sensor
- Honeywell control
- Combination Pressure-Temperature Gauge
- 6' power cord
- Condensate drain
- Relief valve
- 3-in-1 Vent adapter
- Low NOx SCAQMD compliant

COMBI MODELS

- DHW flat plate heat exchanger
- 3-speed circulator

OPTIONAL EQUIPMENT

- Propane conversion kit
- Concentric vent kit
- Condensate neutralizer
- Easy-Up manifold kit
- Service parts kit
- Water treatment inhibitor & test kit
- System circulator wiring kit
- Boiler stand

LIMITED WARRANTY:

- Residential: 10 Years Heat Exchanger; 2 Years Parts
- Commercial: 5 Years Heat Exchanger; 2 Years Parts

¹For 3" Pipe Only

²Natural gas field convertible to LP with optional kit.

³Based on standard test procedures prescribed by the United States Department of Energy. MBH refers to thousands of Btu per hour.

⁴Net AHRI ratings are based on net installed radiation of sufficient quantity for the requirement of the building and nothing needs to be added for normal piping and pick-up. Ratings are based on piping and pick-up allowance of 1.15. An additional allowance should be made for unusual piping and pick-up loads.

⁵Boilers must be vented directly to the outdoors. See boiler manuals for details.

HIGH-EFFICIENCY CAST IRON BOILER

Water | Natural or Propane Gas | 70-175 MBH | 4 sizes
Direct Exhaust or Direct Vent | Up to 91.9% AFUE*



*Model Dependent

**LEADING HIGH EFFICIENCY
CAST IRON BOILER**

GV90+

Proven cast iron longevity extends service life.

Durable design with low maintenance.

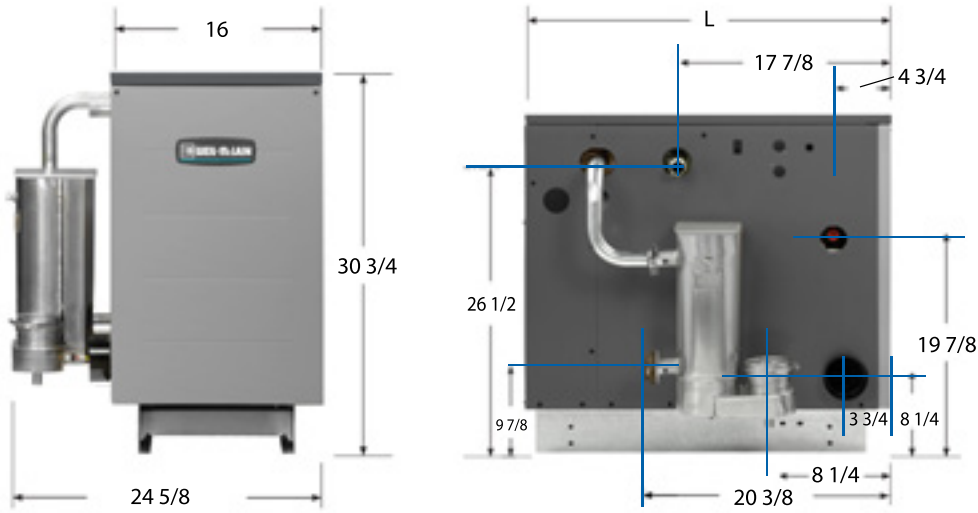
Performance maximizes comfort and energy savings.

Ideal for high temperature applications, like baseboard, radiator and fan coil systems.

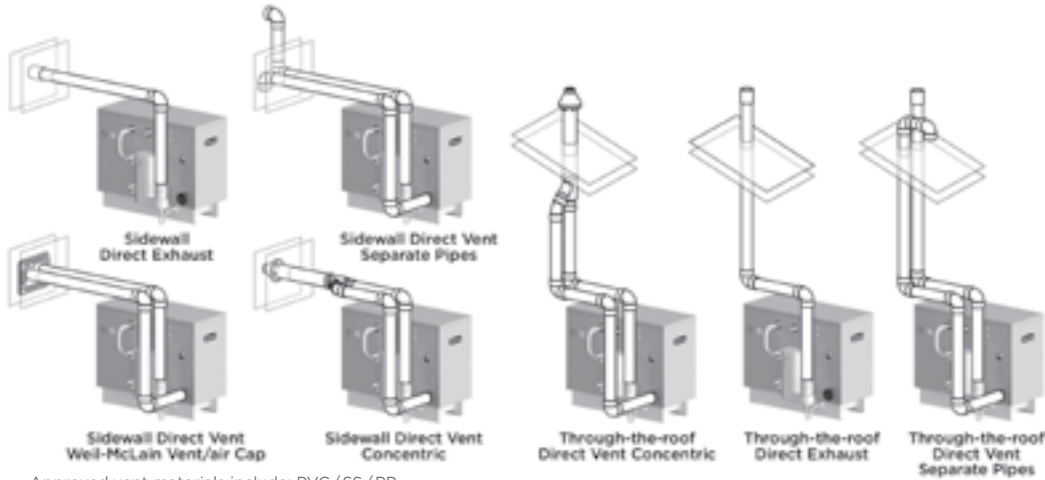
Now with built-in low water cut off



DIMENSIONS



INSTALLATION FLEXIBILITY WITH MULTIPLE VENTING OPTIONS



Approved vent materials include: PVC/SS/PP
PP vent material approved for use on boilers equipped with flue thermal switch only (not thermal fuse³).

RATINGS

Model	Input MBH	DOE Heating Capacity MBH ¹	Net AHRI Rating, Water MBH ²	AFUE	Vent Diameter ³	Boiler Water Content (Gal.)	Length	Supply Tapping	Return Tapping	Gas Connection Size	Minimum Recommended Pipe Size	Approx. Shipping Weight (Lbs.)
GV90+3	70	65	56	91.9%	3"	3.8	30 3/4"	1"	1"	1/2"	1"	313
GV90+4	105	97	84	91.2%	3"	4.7	30 3/4"	1"	1"	1/2"	1"	353
GV90+5	140	130	113	91.4%	3"	6.0	37 3/4"	1"	1"	1/2"	1 1/4"	423
GV90+6	175	161	140	91.0%	3"	6.9	37 3/4"	1"	1"	1/2"	1 1/4"	464

Notes:

¹Based on standard test procedures prescribed by the United States Department of Energy.

²Net AHRI ratings are based on net installed radiation of sufficient quantity for the requirements of the building and nothing needs to be added for normal piping and pick-up. Ratings are based on a piping and pick-up allowance of 1.15. An additional allowance should be made for unusual piping and pick-up loads.

³GV90+ boilers must be vented directly to the outside.

STANDARD EQUIPMENT:

BOILER

- Factory Tested
- Insulated Extended Steel Jacket
- Cast Iron Sections with Built-in Air Separator
- Stainless Steel Secondary Heat Exchanger with Air Separator
- Steel Base
- Control Module with Indicator Lights
- Blower Assembly with Observation Port
- Gas/Air Manifold Assembly
- Gas/Air Orifice Plate for Natural Gas (separate plate furnished for conversion to propane)
- Stainless Steel Burner Cone and Ring Assembly
- Negative Regulation Gas Valve
- Hot Surface Ignition System
- Air Pressure Switch
- System Circulator*
- Built-in-Bypass Circulator System with Sensor for Temperature Control*
- Condensate Drain Trap
- Sidewall Vent Termination Kit**
- 40VA Transformer
- Electrical Junction Box
- 30 PSI ASME Relief Valve (boiler sections & secondary heat exchanger tested for 50 PSI working pressure)
- Water Temperature Limit Switch
- Section Block Temperature Limit Switch
- Combination Pressure-Temperature Gauge
- Drain Valve

ADDITIONAL EQUIPMENT:

- Concentric Vent Kit
- Condensate Neutralizer Kit
- Expansion Tank Package. #109-sizes 3 through 5; #110-size 6. Shipped in separate carton.
- High Altitude Kit
- Weil-McLain Indirect-fired Water Heaters
- Weil-McLain Pool Heaters
- Weil-McLain Baseboard Units

LIMITED TRANSFERABLE WARRANTY:

- Residential: 20 Years Primary Heat Exchanger; 5 Years Secondary Heat Exchanger; 2 Years Parts
- Commercial: 10 Years Primary Heat Exchanger; 5 Years Secondary Heat Exchanger; 1 Years Parts

*Circulators supplied with boiler cannot be removed and cannot be used as a zone circulator in multiple zone systems.

** Includes inside and outside plates and hardware.

^ If necessary, order switch part #511-624-664.



CGi
Induced Draft
Water Gas Boiler



CGa
Atmospheric
Water Gas Boiler



EG
Water or Steam
Gas Boiler



Ultra Oil
Water Oil Boiler



WGO
Water without Tankless
Heater Oil Boiler



WTGO
Water with Tankless
Heater Oil Boiler



SGO
Steam with Tankless
Heater Option
Oil Boiler



**HIGH EFFICIENCY
CAST IRON BOILER**

CGi

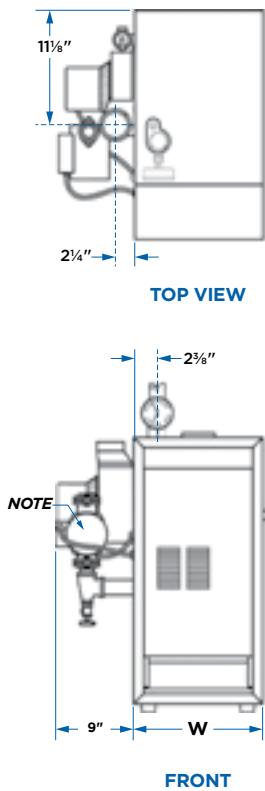
APPLICATIONS INCLUDE:

- Residential
- Light Commercial
- Multiple Boilers
- Indirect-fired Water Heating
- Radiant Heating

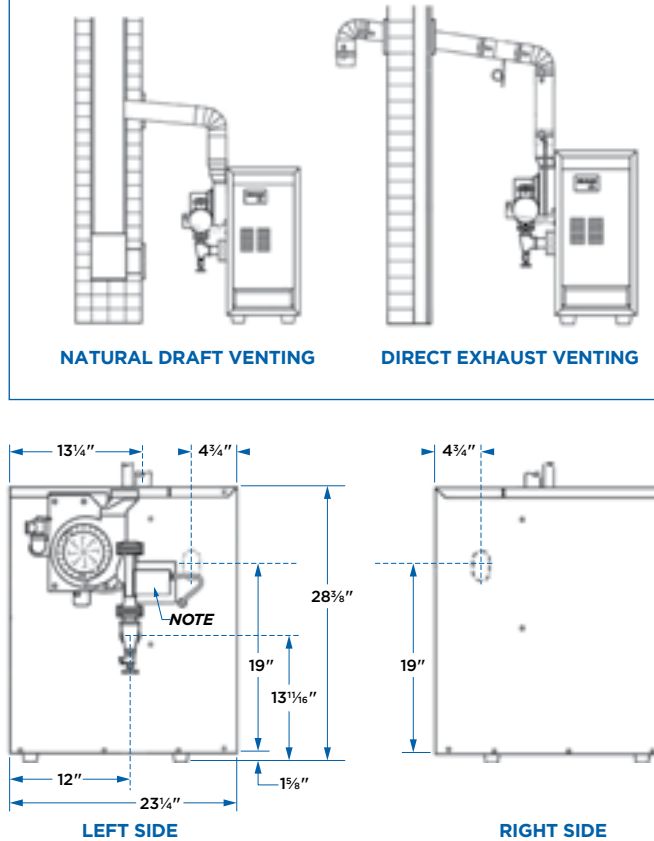
Inducer cover on sizes 25-6 only



DIMENSIONS



INDUCED DRAFT VENTING OPTIONS



STANDARD EQUIPMENT: BOILER

- Integrated boiler control module with intermittent electronic ignition system & indicator/diagnostic lights
- Integrated low-water cutoff, with test button
- Combination pressure-temperature gauge
- Two-piece, top jacket panel
- Insulated extended steel jacket
- Cast iron sections with built-in air separator
- Radiation plates
- Steel base
- Inducer assembly (with cover—sizes 25-6 only)
- Flue gas collector/transition assembly
- Combination gas valve for 24 volt
- Wiring harness
- Air pressure switch
- Non-linting pilot burner
- High-grade stainless steel burners
- 40 VA transformer
- Electrical junction box
- Rollout thermal fuse element
- High-limit temperature control
- Circulator (when ordered)
 - Sizes 25-5: Taco 007e
 - Sizes 6-8: Taco 007
- 30 PSI ASME relief valve (boiler sections tested for 50 PSI working pressure)
- Drain valve

NOTE: Boiler circulator is shipped loose. Circulator may be mounted on either boiler supply or return piping. See dimension chart for pipe size of circulator flange provided.

Model	Dimensions inches W	Supply Piping (in.) ¹	Return Piping (in.) ¹	Nat or LP Gas Connection Size (in.)
CGi-25	10	3/4	3/4	1/2
CGi-3	10	1	1	1/2
CGi-4	13	1	1	1/2
CGi-5	16	1	1	1/2
CGi-6	19	1 1/4	1 1/4	1/2
CGi-7	22	1 1/4	1 1/4	3/4
CGi-8	25	1 1/2	1 1/2	3/4

¹Circulator flange supplied with boiler is the same size as recommended pipe size. For supply and return boiler tapping size, see installation manual.

RATINGS

Model ²	CSA Input MBH ³	DOE Heating Capacity MBH ³	Net AHRI Water Ratings MBH ⁴	AFUE	Approx. Shipping Weight (Lbs.)	Boiler Water Content (Gal.)	Minimum Vent Connector Diameter ⁵
CGi-25	48	41	35	84.0%	200	1.5	4" O.D.
CGi-3	58	49	42	84.0%	200	1.5	4" O.D.
CGi-4	90	77	66	84.0%	245	2.1	5" O.D.
CGi-5	119	102	88	84.0%	290	2.7	5" O.D.
CGi-6	158	135	117	84.0%	335	3.3	5" O.D.
CGi-7	190	162	140	84.0%	390	3.8	6" O.D.
CGi-8	222	189	164	84.0%	420	4.4	6" O.D.

²Add "PIN" for natural gas, "PIL" for propane.

³Based on standard test procedures prescribed by the United States Department of Energy.

⁴Net AHRI ratings are based on net installed radiation of sufficient quantity for the requirements of the building and nothing needs to be added for normal piping and pick-up. Ratings are based on a piping and pick-up allowance of 1.15. An additional allowance should be made for unusual piping and pick-up loads.

⁵Refer to National Fuel Gas Code, ANSI Z223.1-latest edition for chimney sizing and vent connector lengths.

CGi boilers are C.S.A. design certified for installation on combustible flooring. Tested for 50 PSI working pressure.

ADDITIONAL EQUIPMENT:

- CGi AL29-4C stainless steel vent starter kit
- Outdoor reset kit (part #381-356-586) Low cost, simple plug-in sensor—check local utility program for possible rebate.
- Zone interface harness kit (part #381-356-585) Used to communicate between an existing relay panel wired into the system and boiler, to separate DHW from space heating demands.
- Expansion tank package—shipped in separate carton (expansion tank, fill & check valve, auto air vent and fittings)
- High Altitude Kits
- Weil-McLain five- and ten-year homeowner protection plan

LIMITED TRANSFERABLE WARRANTY:

- Residential: 20 Years Heat Exchanger; 2 Years Parts
- Commercial: 10 Years Heat Exchanger; 1 Year Parts

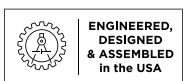


**HIGH EFFICIENCY
CAST IRON BOILER**

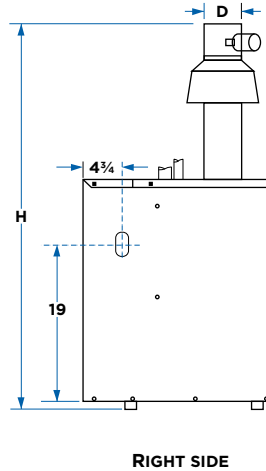
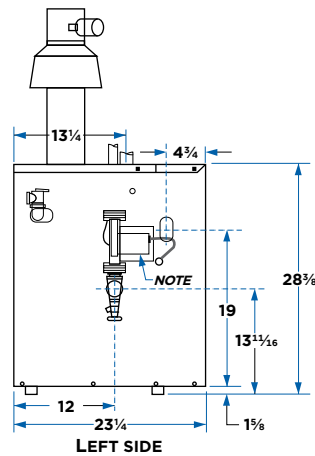
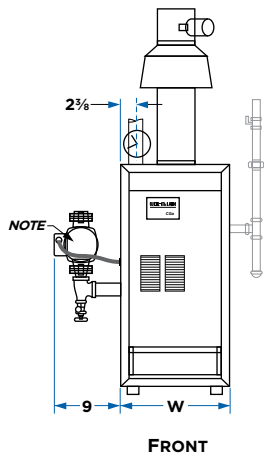
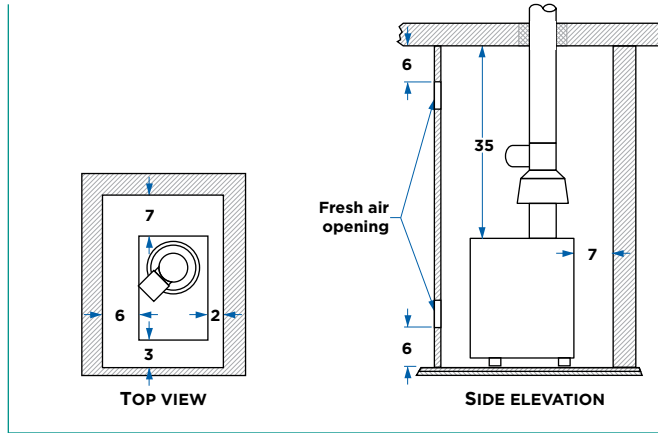
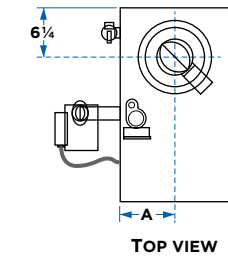
CGa

APPLICATIONS INCLUDE:

- Residential
- Light Commercial
- Multiple Boilers
- Indirect-fired Water Heating
- Radiant Heating



DIMENSIONS



Note: Boiler circulator is shipped loose. Circulator may be mounted on either boiler supply or return piping. See dimension chart for pipe size of circulator flange provided.

Model	Dimensions (in.)				Supply Piping (in.) ¹	Return Piping (in.) ¹	Nat or LP Gas Connection Size (in.)	Carton Dimensions - Outside Measurements (in.)		
	A	D	W	H				L	W	H
CGa-25	5	4	10	45 ³ / ₈	³ / ₄	³ / ₄	¹ / ₂	30	27 ¹ / ₂	35
CGa-3	5	4	10	52 ³ / ₈	1	1	¹ / ₂	30	27 ¹ / ₂	35
CGa-4	6 ¹ / ₂	5	13	54 ³ / ₈	1	1	¹ / ₂	30	27 ¹ / ₂	35
CGa-5	8	6	16	57 ³ / ₈	1	1	¹ / ₂	36	27 ¹ / ₂	35
CGa-6	9 ¹ / ₂	6	19	60 ³ / ₈	1 ¹ / ₄	1 ¹ / ₄	¹ / ₂	42	27 ¹ / ₂	35
CGa-7	11	7	22	62 ¹ / ₂	1 ¹ / ₄	1 ¹ / ₄	³ / ₄	42	27 ¹ / ₂	35
CGa-8	12 ¹ / ₂	7	25	64 ³ / ₈	1 ¹ / ₂	1 ¹ / ₂	³ / ₄	42	27 ¹ / ₂	35

¹Circulator flange supplied with boiler is the same size as recommended pipe size. For supply and return boiler tapping size, see installation manual.

RATINGS

Model ²	Input MBH ³	DOE Heating Capacity MBH ³	Net AHRI Water Ratings MBH ⁴	AFUE	Approx. Shipping Weight (Lbs.)	Boiler Water Content (Gal.)	Chimney Size
CGa-25	38	32	27	84.0%	200	1.5	4" I.D. x 20'
CGa-3	67	56	48	84.0%	200	1.5	4" I.D. x 20'
CGa-4	100	85	73	84.0%	240	2.1	5" I.D. x 20'
CGa-5	133	113	98	84.0%	280	2.7	6" I.D. x 20'
CGa-6	166	141	122	84.0%	325	3.3	6" I.D. x 20'
CGa-7	200	170	147	84.0%	370	3.8	7" I.D. x 20'
CGa-8	233	198	172	84.0%	425	4.4	7" I.D. x 20'

CGa boilers are C.S.A. design certified for installation on combustible flooring. Tested for 50 PSI working pressure.

In the interest of continual improvement in product and performance, Weil-McLain reserves the right to change specifications without notice.

STANDARD EQUIPMENT: BOILER

- Integrated Boiler Control Module with intermittent electronic ignition system & indicator/diagnostic lights
- Integrated low-water cutoff, with test button
- Two-piece top jacket panel
- Insulated extended steel jacket
- Cast iron sections with built-in air separator
- Radiation plates
- Vertical draft hood
- Automatic vent damper
- Combination gas valve for 24 volt
- Wiring harness
- Non-linting pilot burner
- Stainless steel burners
- Electrical junction box
- Rollout thermal fuse element
- High-limit temperature control
- Circulator (when ordered)
 - Sizes 25-5: Taco 007e
 - Sizes 6-8: Taco 007
- Spill switch
- 30 PSI ASME relief valve (boiler sections tested for 50 PSI working pressure)
- Combination pressure-temperature gauge
- Drain valve
- 40 VA transformer
- Plug-in connector and wiring

OPTIONAL EQUIPMENT:

- Expansion Tank Package (part #381-354-522 CGa 25-5, part #381-354-521 CGa 6-8) Shipped in separate carton (*expansion tank, fill & check valve, auto air vent and fittings*).
- Outdoor Reset Kit (part #381-356-586) Low cost, simple plug-in sensor—check local utility program for possible rebate.
- Zone Interface Harness Kit (part #381-356-585) Used to communicate between and existing relay panel wired into the system and boiler, to separate DHW from space heating demands.

LIMITED TRANSFERABLE WARRANTY:

- Residential: 20 Years Heat Exchanger; 2 Years Parts
- Commercial: 10 Years Heat Exchanger; 1 Year Parts

²Add "PIN" for natural gas, "PIL" for propane.

³Based on standard test procedures prescribed by the United States Department of Energy.

⁴Net AHRI ratings are based on net installed radiation of sufficient quantity for the requirements of the building and nothing needs to be added for normal piping and pick-up. Ratings are based on a piping and pick-up allowance of 1.15. An additional allowance should be made for unusual piping and pick-up loads.

Water or Steam with Tankless Heater Option | Natural Gas | 75–282 MBH | 8 sizes
Series 6 | Natural Draft | Up to 84% AFUE†



HIGH EFFICIENCY CAST IRON BOILER

EG

Order **PEG*** for factory assembled and tested packaged boiler (steam only, sizes 30 through 65).

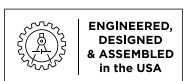
Optional tankless heater coils available for domestic hot water applications—EG tankless opening blocks only.

Water version now with built-in low water cut off (*without tankless only*).

†Model Dependent

APPLICATIONS INCLUDE:

- Residential
- Light Commercial
- Multiple Boilers
- Indirect-fired Water Heating



DIMENSIONS

Model	Number & Size		Dimensions (In.)			Gas Connection Size ¹ Natural	Minimum Recommended Pipe Sizes		
	Supply (NPT)	Return (NPT)	D	V	W		Forced Water Supply & Return ²	Steam Header ³	Steam Equalizer
EG-30	2-3"	2-2 1/2"	5"	6"	17"	1/2"	1"	2"	1 1/2"
EG-35	2-3"	2-2 1/2"	5"	6"	17"	1/2"	1"	2"	1 1/2"
EG-40	2-3"	2-2 1/2"	6"	6 1/2"	21 1/4"	1/2"	1 1/4"	2 1/2"	1 1/2"
EG-45	2-3"	2-2 1/2"	6"	6 1/2"	21 1/4"	1/2"	1 1/4"	2 1/2"	1 1/2"
EG-50	2-3"	2-2 1/2"	7"	9"	25 1/2"	1/2"	1 1/4"	2 1/2"	1 1/2"
EG-55	2-3"	2-2 1/2"	7"	9"	25 1/2"	1/2"	1 1/2"	3"	1 1/2"
EG-65	2-3"	2-2 1/2"	8"	9 1/2"	29 3/4"	3/4"	1 1/2"	3"	1 1/2"
EG-75	2-3"	2-2 1/2"	8"	9 1/2"	34"	3/4"	2"	3"	1 1/2"

¹Sizes shown are gas connection sizes. Gas piping from meter to boiler to be sized according to local utility requirements.

²All supply and return sizes are based on a 20°F temperature rises through the boiler.

³24" minimum from water line to header.

Location	Size	Steam	Water
C	3/4"	Electrode-Type-Low-Water Cutoff	Electrode-Type-Low-Water Cutoff
D	3/4"	Drain	Drain
E	3/4"	Safety Valve	Safety Relief Valve
G	3/4"	Plugged	Piping to Compression Tank or Auto. Air Vent
H	1/2"	Gauge Glass and/or Low-Water Cutoff	Combination Pressure-Temperature Gauge
J ⁴	3/8"	Tri Cock Tappings	Plugged
L	1/2"	Siphon, Pressure Gauge, High-Limit Control	Combination Pressure-Temperature Gauge
S (steam)	1 1/2"	Skim Tapping	—
S (water)	3/4"	**	Limit Control

⁴Available only on special request, when tankless heater is specified.

RATINGS

Model*	CSA Input (MBH)	AFUE		DOE Heating Capacity (MBH) ⁴		Net AHRI Ratings ⁵			Chimney Size	Approx. Shipping Weight (Lbs.)
		Intermittent Ignition w/Damper Natural Gas (PIDN)		Water	Steam	Water (MBH)	Steam (MBH)	Steam (Sq./Ft.)		
		Water	Steam							
EG-30-*	75	84%	82%	64	62	56	47	196	5" I.D. x 20'	430
EG-35-*	100	84%	82%	85	82	74	62	258	5" I.D. x 20'	430
EG-40-*	125	84%	82%	106	103	92	77	321	6" I.D. x 20'	505
EG-45-*	150	84%	82%	127	124	110	93	388	6" I.D. x 20'	505
EG-50-*	175	84%	82%	148	145	129	109	454	7" I.D. x 20'	585
EG-55-*	200	84%	82%	169	166	147	125	521	7" I.D. x 20'	585
EG-65-*	238	84%	82%	201	198	175	149	621	8" I.D. x 20'	660
EG-75-*	282	84%	82%	237	234	206	176	733	8" I.D. x 20'	735

*Add to boiler number "W" for water, "S" for steam. Add "P" to prefix for factory-assembled fire-tested package boiler (steam only sizes, 30 through 65).

EG boiler is CSA design certified for installation on non-combustible flooring only. Tested for 50 PSI working pressure. Not available for millivolt systems.

STANDARD EQUIPMENT:

BOILER

- Factory-assembled section block
- Insulated extended jacket
- Horizontal to vertical draft hood
- Automatic vent damper (additional for EG-75)
- Combination gas valve for 24 volt
- Non-linting pilot burner
- Stainless steel burners
- Electrical junction box
- Spill switch
- Rollout thermal fuse element

WATER BOILERS ONLY:

- Built-in-air separator
- 30 PSI ASME relief valve (boiler sections tested for 50 PSI working pressure)
- Combination pressure-temperature gauge
- High-limit control
- Intermittent electronic ignition system with Weil-McLain UCM universal ignition control module (with tankless only)
- Intermittent electronic ignition system with indicator/diagnostic lights, and integrated low-water cutoff with test button (without tankless only)
- 40 VA transformer
- Plug-in connector and wiring

STEAM BOILERS ONLY:

- 15 PSI ASME relief valve
- High-limit pressure control
- Low water cutoff-electrode type
- 40 VA transformer
- Steam pressure gauge
- Siphon
- Gauge cocks and glass
- Intermittent electronic ignition system with Weil-McLain UCM universal ignition control module

OPTIONAL EQUIPMENT:

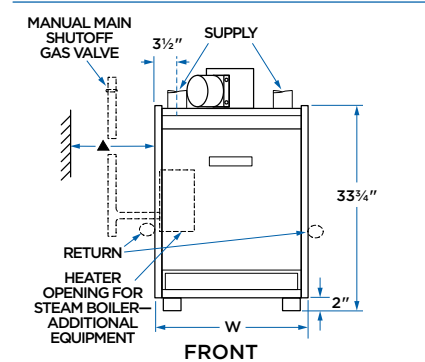
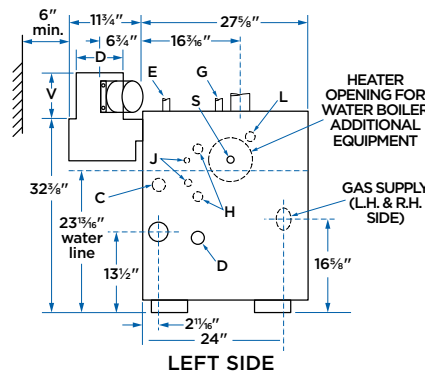
- Packaged steam boilers—factory assembled and tested (P-EG-30 through 65 only)
- Left end section with openings for tankless heaters
- Tankless heaters, heater cover plates, and controls
- Automatic vent damper for EG-75 with electronic ignition
- Outdoor reset kit (for water boilers without tankless only, part #381-356-586) Low cost, simple plug-in sensor-check local utility program for possible rebate.

LIMITED TRANSFERABLE WARRANTY:

- Residential—water: 20 Years Heat Exchanger; 2 Years Parts
- Residential—steam: 10 Years Heat Exchanger; 2 Years Parts
- Commercial: 10 Years Heat Exchanger; 1 Year Parts

⁴Based on standard test procedures prescribed by the United States Department of Energy.

⁵Net AHRI ratings are based on net installed radiation of sufficient quantity for the requirements of the building and nothing needs to be added for normal piping and pick-up. Water ratings are based on a piping and pick-up allowance of 1.15, steam ratings on an allowance of 1.333. An additional allowance should be made for unusual piping and pick-up loads.





**PREMIUM HIGH EFFICIENCY CAST IRON
OIL BOILER AT 87% AFUE**

Ultra Oil

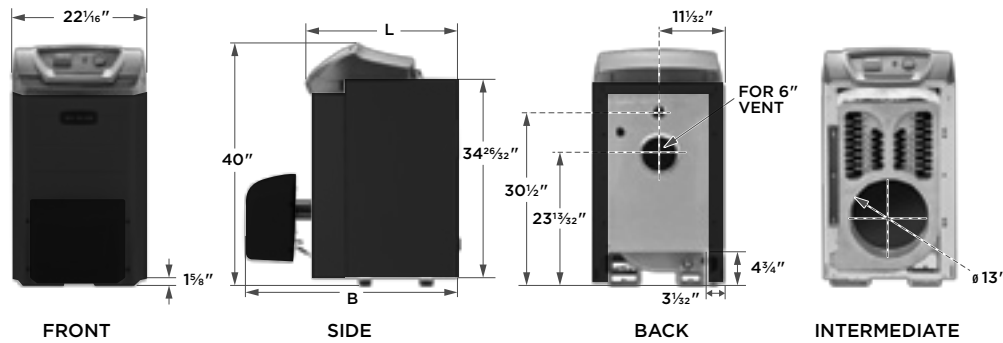
Commercial-grade 3-pass heat exchanger design.

APPLICATIONS INCLUDE:

- Residential
- Light Commercial
- Multiple Boilers
- Indirect-fired Water Heating
- Radiant Heating



DIMENSIONS



DIMENSIONS	UO-3RE ¹	UO-3E	UO-4E	UO-5E
Supply Tapping	1 1/2"	1 1/2"	1 1/2"	1 1/2"
Return Tapping	1 1/2"	1 1/2"	1 1/2"	1 1/2"
Depth - with Burner (B)	37"	37"	41"	45"
Depth - Boiler	25"	25"	29"	33"

DATA	UO-3RE ¹	UO-3E	UO-4E	UO-5E
Chimney Rectangle	8"x 8"	8"x 8"	8"x 8"	8"x 8"
Chimney Round	6"	6"	6"	6"
Chimney Height	15'	15'	15'	15'
Water Volume	15.00 Gal.	15.00 Gal.	18.25 Gal.	21.50 Gal.
Approximate Shipping Weight	636 Lbs.	636 Lbs.	737 Lbs.	852 Lbs.

RATINGS

RATINGS	UO-3RE ¹	UO-3E	UO-4E	UO-5E
Burner Capacity (GPH)	0.80	1.00	1.20	1.40
CSA Input (MBH)	112	140	168	196
DOE Heating Capacity (MBH)	99	123	148	173
Net Ratings (MBH)	86	107	129	150
AFUE	87%	87%	87%	87%
Draft Loss Through Boiler (In. w/c)	.000	.020	.050	.040

¹The .80 GPH firing rate is achieved by changing the burner nozzle, refer to burner instructions or boiler's rating label for correct selection. For Beckett AFG, also use the burner low fire rate baffle included in burner carton.

STANDARD EQUIPMENT:

BOILER

- Three-pass cast iron heat exchanger with captured elastomer seals
- Reversible swing-away burner door
- Silicone coated fiberglass sealing rope
- Boiler drain valve
- Relief valve (30 PSI)
- Attractive jacket design
- Hinged control pod
- Service switch
- Temperature/pressure gauge
- Factory wired terminal strips with labeled wires (pre-wired to accept external limits such as high limit and low water cut off)
- Combination limit and low water cut off
- Quick disconnect burner plug
- Barometric damper
- Circulator (when ordered)
 - Sizes 3 & 4: Taco 007e
 - Size 5: Taco 007

OPTIONAL EQUIPMENT:

- Beckett NX (chimney or direct vent)
- Beckett AFG (chimney vent only)
- Carlin (chimney vent only)
- Riello (chimney or direct vent)
- Direct vent kit
- 50 PSI relief valve

LIMITED TRANSFERABLE WARRANTY:

- Residential: 20 Years Heat Exchanger; 2 Years Parts
- Commercial: 10 Years Heat Exchanger; 1 Year Parts



**HIGH EFFICIENCY
CAST IRON BOILER**

WGO

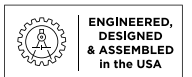
APPLICATIONS INCLUDE:

- Residential
- Light Commercial
- Multiple Boilers
- Indirect-fired Water Heating
- Radiant Heating

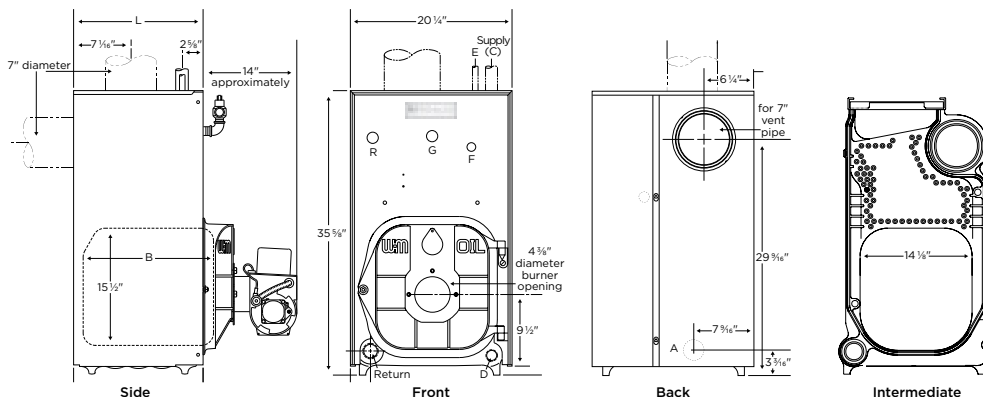
†Model Dependent



*ENERGY STAR® requires a minimum of 87% AFUE, which is only achieved by reducing the burner rate and installing the specified optional vent damper kit. See Ratings chart on next page.



DIMENSIONS



Tapping Location	Size (in.)	Control Tappings
A	1 1/2	Alternative return — semi packaged & knocked down units only
G	1/4	Pressure/temperature gauge
D	3/4	Drain valve
F	3/4	High limit/circulator control
E	1/2	Piping to expansion tank or automatic air vent
R	3/4	Relief valve

Boiler Size	Supply C (in.)		Return (in.)	Dimensions (in.)	
	Packaged with Circulator	Semi-Packaged & Knocked-Down		B	L
WGO-2	1 1/4 (circulator flange)	1 1/2	1 1/2	10 1/2	13 3/4
WGO-3	1 1/4 (circulator flange)	1 1/2	1 1/2	13 1/2	16 7/8
WGO-4	1 1/4 (circulator flange)	1 1/2	1 1/2	13 5/8	16 7/8
WGO-5	1 1/4 (circulator flange)	1 1/2	1 1/2	16 7/8	20
WGO-6	1 1/4 (circulator flange)	1 1/2	1 1/2	20	23 1/8
WGO-7	not applicable	1 1/2	1 1/2	23 1/8	26 1/4

RATINGS

ENERGY STAR*	Model ⁴	Burner Input Rating		AHRI Certified Ratings			Draft Loss Through Boiler (In. w/c)	Minimum Chimney Size			Approx. Shipping Weight (Lbs.)
		GPH ⁵	MBH ⁵	Heating Capacity (MBH) ^{6,7}	Net Ratings (MBH) ^{7,8}	AFUE		Rectangular (In.)	Round (In.)	Height (Ft.)	
	WGO-2	0.70	98	86	75	86.4	.010	8x8	6	15	540
*	WGO-2RD	0.70	98	86	75	87.0	.010				540
	WGO-3R	0.80	112	98	85	86.2	.020				595
*	WGO-3RD	0.80	112	98	85	87.0	.010				595
	WGO-3D	0.95	133	115	100	86.0	.020				595
	WGO-4R	1.00	140	122	106	86.2	.010		645		
*	WGO-4RD	1.00	140	123	107	87.0	.010		645		
	WGO-4D	1.20	168	146	127	86.0	.010		645		
	WGO-5R	1.20	168	147	128	86.1	.015		760		
*	WGO-5RD	1.20	168	148	129	87.0	.015		760		
	WGO-5D	1.45	203	176	153	86.0	.015	760			
	WGO-6R	1.40	196	171	149	86.1	.015	860			
*	WGO-6RD	1.40	196	173	150	87.0	.015	860			
	WGO-6D	1.75	245	213	185	86.0	.015	860			
	WGO-7R	1.60	224	196	170	86.0	.015	930			
*	WGO-7RD	1.60	224	197	171	87.0	.015	930			
	WGO-7D	2.00	280	244	212	86.0	.015	930			

Boiler order options include

Packaged boiler: Assembled block with jacket, collector hood and controls installed (order burner separately); sizes 2-6.

Semi-packaged boiler: Assembled block with jacket and collector hood installed (order burner and trim separately); sizes 2-6.

Knocked-down boiler: Assembled block, all other components are cartoned and shipped separately; all sizes.

STANDARD EQUIPMENT: BOILER

- Factory tested and assembled cast iron section assembly (jacket and collector hood are not assembled on the 7 size section block)
- Insulated steel jacket
- Aluminized steel flue collector hood with flue cap on top outlet (convertible to rear outlet)
- Swing-away burner mounting door
- Refractory blanket and target wall in combustion area
- Circulator (when ordered)
 - Sizes 2-4: Taco 007e
 - Sizes 5-6: Taco 007
- High limit control with circulator relay, LWCO function, and integrated service switch
- Two vent pipe brackets
- Pressure/temperature gauge
- 30 PSIG ASME relief valve (boiler sections tested for 50 PSIG working pressure)
- Drain valve
- Barometric damper
- Built-in air separator

OPTIONAL EQUIPMENT:

- High-efficiency flame-retention oil burner (Beckett AFG, Carlin EZ or Riello). Specify 2-stage fuel unit (optional, Beckett) if required
- Vent damper kit
- Outdoor reset kit - temperature sensor (wired version part #383-500-126, wireless version part #386-701-047)
- Weil-McLain five- and ten-year homeowner protection plan
- Weil-McLain indirect-fired water heaters

LIMITED TRANSFERABLE WARRANTY:

- Residential: 20 Years Heat Exchanger; 2 Years Parts
- Commercial: 10 Years Heat Exchanger; 1 Year Parts

⁴Boiler model suffixes:

R = Reduced input version—a burner nozzle change may be required, refer to the burner instructions or boiler's rating label for correct selection. No separate/additional damper kit required.

D = High input version—installation of the separate High Input Vent Damper kit (part # 381800515) is required, also a burner nozzle change may be required, refer to the burner instructions or boiler's rating label for correct selection.

RD = ENERGY STAR 87% AFUE compliant only when installed with the separate ES Vent Damper kit (part numbers 381800501 through 381800506) and at the reduced burner rate.

⁵No. 2 fuel oil—Commercial Standard Specification CS75-56. Heating value of oil-140,000 BTU/Gal.

⁶Based on standard test procedures prescribed by the United States Department of Energy.

⁷MBH refers to thousands of BTU per hour.

⁸Net AHRI ratings are based on net installed radiation adequate for the requirements of the building, including a piping and pickup allowance of 1.15-sufficient for normal conditions. Provide additional allowance only for unusual piping and pickup loads.


**HIGH EFFICIENCY
CAST IRON BOILER**

WTGO

Provides space and domestic hot water heating.

APPLICATIONS INCLUDE:

- Residential
- Light Commercial
- Multiple Boilers
- Indirect-fired Water Heating
- Radiant Heating

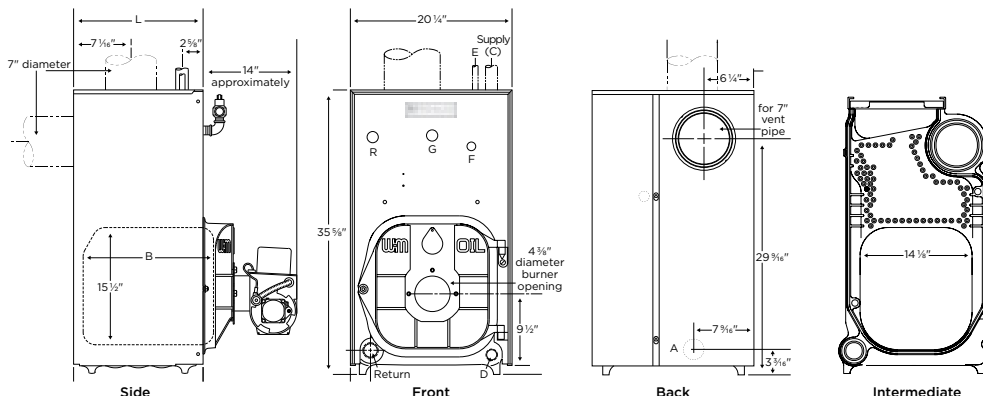
*Model Dependent



*ENERGY STAR® requires a minimum of 87% AFUE, which is only achieved by reducing the burner rate and installing the specified optional vent damper kit. See Ratings chart on next page.



DIMENSIONS



Tapping Location	Size (in.)	Control Tappings
A	1 1/2	Alternative return — semi-packaged & knocked-down units only
G	1/4	Pressure/temperature gauge
D	3/4	Drain valve
F	3/4	High limit/circulator control
E	1/2	Piping to expansion tank or automatic air vent
R	3/4	Relief valve

Boiler Size	Supply C (in.)		Return (in.)	Dimension (in.)		Tankless Heater		
	Packaged with Circulator (circulator flange)	Semi-Packaged & Knocked-Down		B	L	Number	Inlet & Outlet (NPT) (in.)	Temp Control (NPT) (in.)
WTGO-3	1 1/4	1 1/2	1 1/2	13 1/2	16 7/8	WT-14	1/2	3/4
WTGO-3L	1 1/4	1 1/2	1 1/2	10 1/2	13 3/4	WT-14	1/2	3/4
WTGO-4	1 1/4	1 1/2	1 1/2	13 5/8	16 7/8	WT-14	1/2	3/4
WTGO-5	1 1/4	1 1/2	1 1/2	16 7/8	20	WT-14	1/2	3/4
WTGO-6	1 1/4	1 1/2	1 1/2	22 1/2	22 1/2	WT-14	1/2	3/4
WTGO-7	not applicable	1 1/2	1 1/2	23 1/8	26 1/4	WT-20	1/2	3/4

RATINGS

ENERGY STAR*	Model ⁴	Burner Input Rating		AHRI Certified Ratings			Tankless Heat-er Intermittent Draw Rating ¹⁰	Draft Loss Through Boiler (in. w/c)	Minimum Chimney Size			Approx. Shipping Weight (Lbs.)
		GPH ⁵	MBH ⁵	Heating Capacity (MBH) ^{6,7}	Net Ratings (MBH) ^{7,9}	AFUE			Rectangular (in.)	Round (in.)	Height (Ft.)	
	WTGO-3LR	0.70	98	86	75	86.4	3.25	.010	8x8	6	15	560
	WTGO-3LD	0.95	133	115	100	86.0	3.25	.010				560
	WTGO-3R	0.80	112	98	85	86.2	3.25	.020				610
*	WTGO-3RD	0.80	112	98	85	87.0	3.25	.010				610
	WTGO-3D	0.95	133	115	100	86.0	3.25	.020				610
	WTGO-4R	1.00	140	122	106	86.2	3.75	.010				660
*	WTGO-4RD	1.00	140	123	107	87.0	3.75	.010		660		
	WTGO-4D	1.20	168	146	127	86.0	3.75	.010		660		
	WTGO-5R	1.20	168	147	128	86.1	4.00	.015		775		
*	WTGO-5RD	1.20	168	148	129	87.0	4.00	.015		775		
	WTGO-5D	1.45	203	176	153	86.0	4.00	.015	775			
	WTGO-6R	1.40	196	171	149	86.1	4.25	.015	875			
*	WTGO-6RD	1.40	196	173	150	87.0	4.25	.015	875			
	WTGO-6D	1.75	245	213	185	86.0	4.25	.015	875			
	WTGO-7R	1.60	224	196	170	86.0	5.50	.015	930			
*	WTGO-7RD	1.60	224	197	171	87.0	5.50	.015	930			
	WTGO-7D	2.00	280	244	212	86.0	5.50	.015	930			

Boiler order options include

Packaged boiler: Assembled block with jacket, collector hood and controls installed (order burner separately); sizes 3-6

Semi-packaged boiler: Assembled block with jacket and collector hood installed (order burner and trim separately); sizes 3-6

Knocked-down boiler: Assembled block, all other components are cartoned and shipped separately; all sizes

STANDARD EQUIPMENT:

BOILER

- Factory tested and assembled cast iron section assembly (jacket and collector hood are not assembled on the 7 size section block)
- Tankless heater (Packaged* units) or tankless opening cover plate (Semi-Packaged* & Knocked-Down* units)
- Insulated steel jacket
- Aluminized steel flue collector hood with flue cap on top outlet (convertible to rear outlet)
- Swing-away burner mounting door
- Refractory blanket and target wall in combustion area
- Circulator (when ordered)
 - Sizes 3-4: Taco 007e
 - Sizes 5-6: Taco 007
- Combination limit control, tankless heater control and LWCO with integrated service switch
- Two vent pipe brackets
- Pressure/temperature gauge
- 30 PSI ASME relief valve (boiler sections tested for 50 PSIG working pressure)
- Drain valve
- Barometric damper

OPTIONAL EQUIPMENT:

- High-efficiency flame-retention oil burner (Beckett AFG, Carlin EZ or Riello). Specify 2-Stage fuel unit (optional, Beckett) if required
- Vent damper kits

LIMITED TRANSFERABLE WARRANTY:

- Residential: 20 Years Heat Exchanger; 2 Years Parts
- Commercial: 10 Years Heat Exchanger; 1 Year Parts

⁴Boiler model suffixes:

R = Reduced input version—a burner nozzle change may be required, refer to the burner instructions or boiler's rating label for correct selection. No separate/additional damper kit required.

D = High input version—installation of the separate High Input Vent Damper kit (part # 381800515) is required, also a burner nozzle change may be required, refer to the burner instructions or boiler's rating label for correct selection.

RD = ENERGY STAR 87% AFUE compliant only when installed with the separate ES Vent Damper kit (part numbers 381800501 through 381800506) and at the reduced burner rate.

L = Designates a boiler with a special narrow front section (1 1/2 supply tapping) for space constraint installations (i.e., Levittown).

⁵No. 2 fuel oil—Commercial Standard Specification CS75-56. Heating value of oil-140,000 BTU/Gal.

⁶Based on standard test procedures prescribed by the United States Department of Energy.

⁷MBH refers to thousands of BTU per hour.

⁸AHRI gross output.

⁹Net AHRI ratings are based on net installed radiation adequate for the requirements of the building, including a piping and pickup allowance of 1.15-sufficient for normal conditions. Provide additional allowance only for unusual piping and pickup loads.

¹⁰Tankless heater rating is in gallons of water per minute, heated from 40°F to 140°F with 200°F boiler water temperature-tested in accordance with I-W-H testing and rating standard for indirect tankless water heaters test with boilers.



**HIGH EFFICIENCY
CAST IRON STEAM BOILER**

SGO

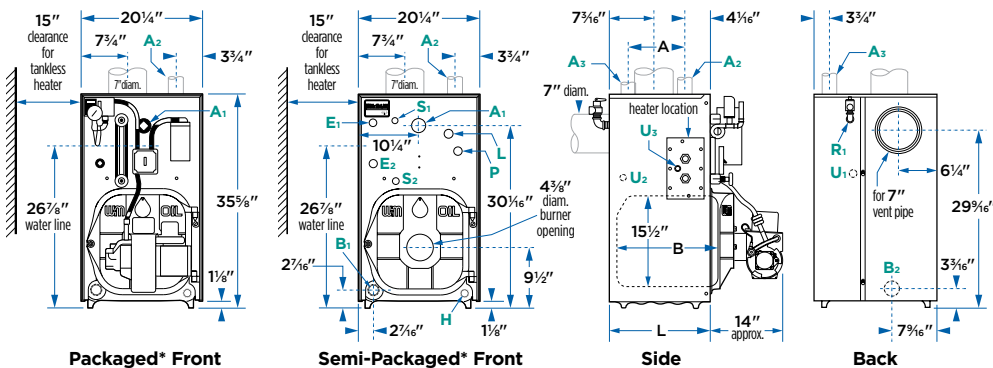
APPLICATIONS INCLUDE:

- Residential
- Light Commercial
- Multiple Boilers
- Indirect-fired Water Heating
- Radiant Heating

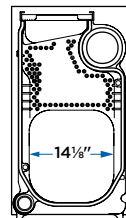
†Model Dependent



DIMENSIONS



Tapping Location	Size (in.)	Steam
A1	1 1/2	Skim tapping
A2	2 1/2	Supply
A3	2 1/2	Supply (SGO-6 & 7)
B1	1 1/2	Plugged
B2	2	Return
E1	1/2	Pressure gauge & limit control (when probe LWCO is used)
E1 & E2	1/2	Low water cutoff (float-type)
H	3/4	Drain valve
L	3/4	Pressure gauge & limit control (when probe LWCO is used)
P	3/4	Low water cutoff (probe-type)
R1	3/4	Relief valve
S1 & S2	1/2	Gauge glass
U1	1	Take-off for indirect-fired water heater or separate zone
U2	3/4	Tankless heater operating control (SGO-6 & 7)
U3*	3/4	Tankless heater operating control (SGO-3 through 5)



Intermediate

Model	Supply (in.)	Return (in.)	Dimension (in.)			Tankless Heater #35-S-29	
	Steam	Steam	A	B	L	Inlet & Outlet (NPT) (in.)	Temp Control (NPT) (in.)
SGO-3	1-2 1/2	2	-	13 1/2	16 7/8	3/4	3/4
SGO-4	1-2 1/2	2	-	16 5/8	20	3/4	3/4
SGO-5	1-2 1/2	2	-	19 7/8	22 1/8	3/4	3/4
SGO-6	2-2 1/2	2	19	23	26 1/4	3/4	3/4
SGO-7	2-2 1/2	2	22 1/8	26 1/8	29 3/8	3/4	3/4

RATINGS

Model*	SGO-3	SGO-4	SGO-5	SGO-6	SGO-7
AHRI Burner Capacity (GPH) ¹	0.95	1.20	1.45	1.75	2.00
Input Rating (MBH) ³	133	168	203	245	280
DOE Heating Capacity (MBH) ^{1,2}	114	144	174	210	240
AFUE	85.0%	85.0%	85.0%	85.0%	85.0%
Net AHRI Steam Ratings (MBH) ³	86	108	131	158	182
Steam (Sq. Ft.) ⁴	358	450	546	658	758
Tankless Heater Intermittent Draw Rating (GPM) ⁵	3.25	3.50	3.75	4.00	4.00
Draft Loss Through Boiler (in. w/c) ⁶	.020	.010	.015	.015	.015
Chimney Size	Rectangular (in.)	8 x 8	8 x 8	8 x 8	8 x 8
	Round (in.)	6	6	7	7
	Height (Ft.)	15	15	15	15
Approx. Shipping Weight (Lbs.)	600	705	820	920	990

*Boiler order options include

Packaged boiler: Assembled block with jacket, collector hood and controls installed (order burner separately); sizes 3-6.

Semi-packaged boiler: Assembled block with jacket and collector hood installed (order burner and trim separately); sizes 3-6.

Knocked-down boiler: Assembled block, all other components are cartoned and shipped separately; all sizes.

STANDARD EQUIPMENT:

BOILER

- Factory tested and assembled cast iron section assembly (jacket and collector hood are not assembled on 7, 8 and 9 section blocks)
- Insulated steel jacket
- Aluminized steel flue collector hood with flue cap on top outlet (convertible to rear outlet)
- Swing-away burner mounting door
- Refractory blanket and target wall in combustion area
- Tankless heater opening cover plate
- Electrical junction box with wiring harnesses
- Junction box cover plate with service switch
- Two vent pipe brackets
- Drain valve
- Barometric damper
- Oil vent damper
- High limit pressure control
- Low water cutoff; Packaged units only (float or probe type)
- 15 PSI ASME relief valve
- Steam pressure gauge
- Siphon
- Gauge glass, cocks and guard

OPTIONAL EQUIPMENT:

- High-efficiency flame-retention Oil Burner (Beckett AFG, Carlin EZ or Riello). Specify 2-stage fuel unit (optional, Beckett) if required.
- Tankless heaters and controls
- Low water cutoffs (float or probe type)
- Weil-McLain five- and ten-year homeowner protection plan
- Weil-McLain indirect-fired water heaters

LIMITED TRANSFERABLE WARRANTY:

- Residential: 10 Years Heat Exchanger; 2 Years Parts
- Commercial: 10 Years Heat Exchanger; 1 Year Parts

¹No. 2 fuel oil-Commercial Standard Specification CS75-56. Heating value of oil-140,000 BTU/Gal.

²Based on standard test procedures prescribed by the United States Department of Energy—see ratings chart in boiler manual for further detail.

³MBH refers to thousands of BTU per hour.

⁴Net AHRI ratings are based on net installed radiation of sufficient quantity for the requirements of the building and nothing need be added for normal piping and pickup. Steam ratings are based on a piping and pickup allowance of 1.333. An additional allowance should be made for unusual piping and pickup loads.

⁵All boiler sizes use number 35-S-29 tankless heater. Tankless heater rating is in gallons of water per minute, heated from 40°F to 140°F with 200°F boiler water temperature—tested in accordance with I-W-H Testing and Rating Standard for Indirect Tankless Water Heaters Test with Boilers.

⁶Listed draft losses are for standard burner settings.



Ultra®
Aluminum Boiler



Evergreen® Pro
Stainless Steel
Firetube Boiler



SlimFit® 500-750
Aluminum Boiler



SlimFit® 1000-2000
Aluminum Boiler



SVF™ 1500-3000
Stainless Steel
Firetube Boiler

HIGH-EFFICIENCY CONDENSING BOILER

Water | Natural or Propane Gas | 230-399 MBH | 3 sizes
Series 4 | Direct Exhaust or Direct Vent | Up to 91.7% Combustion Efficiency†

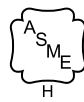


**HIGH EFFICIENCY
CONDENSING BOILER**

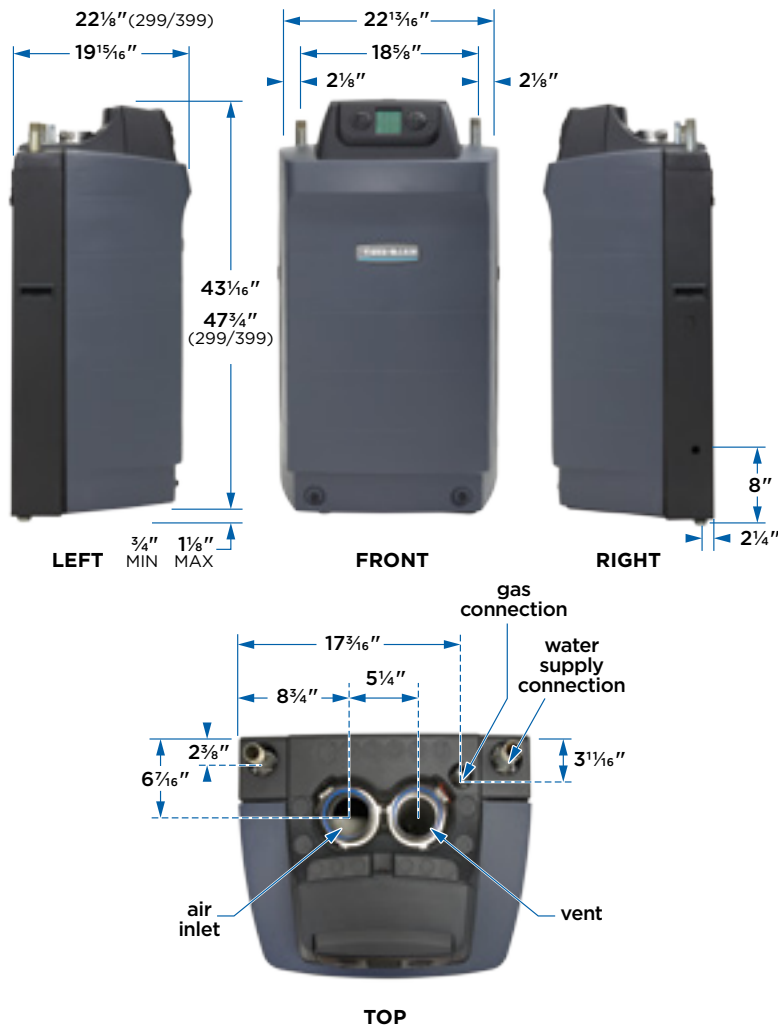
Ultra

The new Ultra Series 4 features a nano-coated heat exchanger to maximize efficiency and service life.

†Model Dependent



DIMENSIONS



DIMENSIONS	Ultra 230	Ultra 299	Ultra 399
Min. Recommended Pipe Size	1 1/4"	1 1/2"	1 1/2"
Supply Tappings	1"	1 1/4"	1 1/4"
Return Tappings	1"	1 1/4"	1 1/4"
Gas Connection Size	1/2"	3/4"	3/4"

SPECIFICATIONS

RATINGS	Ultra 230	Ultra 299	Ultra 399
CSA Input (Maximum)	230 MBH	299 MBH	399 MBH
CSA Input (Minimum)	46 MBH	62 MBH	80 MBH
DOE Heating Capacity	207 MBH	270 MBH	*364 MBH
Net AHRI	180 MBH	235 MBH	317 MBH
AFUE	94.1%	92.5%	*91.7%

*Combustion Efficiency

DATA	Ultra 230	Ultra 299	Ultra 399
Vent Size	3" or 4"	4"	4"
Vent Material	PVC/CPVC/PP	PVC/CPVC/PP	PVC/CPVC/PP
Combustion Air Size	3" or 4"	4"	4"
Water Volume	1.57 Gal.	2.1 Gal.	2.1 Gal.
Approx. Shipping Weight	246 Lbs.	297 Lbs.	297 Lbs.

In the interest of continual improvement in product and performance, Weil-McLain reserves the right to change specifications without notice.

STANDARD EQUIPMENT:

BOILER

- Cast aluminum block
- 30 PSI ASME relief valve
- Drain valve
- Stainless Steel Burner with woven steel fiber mesh (230, 299 & 399)
- Direct spark ignition
- Variable speed blower assembly
- Venturi mixing system with air silencer
- Negative pressure regulated gas valve
- 50 VA transformer
- Dual scale temp. & pressure gauge
- Outlet water temp. sensor
- Inlet water temp. sensor
- Flue gas temp. sensor
- Outdoor temp. sensor
- System water temp. sensors
- Fully removable jacket front
- Adjustable boiler legs
- On/off power switch
- Condensate trap with drain tee assembly
- Propane conversion orifice

U-CONTROL MODULE

- 3.5" LCD display
- Three boiler priorities with multiple preset system configurations
- Color-coded removable terminal blocks
- Multiple boiler functionality
- Alarm control functionality
- Ignition control
- High limit & modulating temp. control
- Low water protection
- Outdoor reset
- Ability to control any combination of 3 circulators

BOILER CIRCULATORS

- 1" & 1 1/4" Flanges (155 & 230) Taco 0014
- 1 1/4" & 1 1/2" Flanges (299) Taco 0014
- 1 1/4" & 1 1/2" Flanges (399) Taco 0013

OPTIONAL EQUIPMENT

- Easy-Up manifold kit
- PVC concentric vent kit
- Sidewall termination cap
- Condensate neutralizer kit
- LWCO kit
- Wall mount kit
- Water treatment—inhibitor & test kit

LIMITED TRANSFERABLE WARRANTY:

RESIDENTIAL

- 12-year heat exchanger limited warranty
- 2 years on parts without registration or **5 years on parts with registration**

COMMERCIAL

- 10 years on primary heat exchanger
- 1 year on parts



EASY HEAT, EFFORTLESS COMFORT

Evergreen

SPECIFICATIONS

MODEL	EVG 220	EVG 299	EVG 399
CSA INPUT (MBH)	220	299	399
DOE HEATING CAPACITY (MBH)	206	280	383*
NET AHRI (MBH)	179	243	333
AFUE	95.0%	95.0%	96.5%*
VENT MATERIAL	PVC, CPVC, PP, SS (AL29-4C)	PVC, CPVC, PP, SS (AL29-4C)	PVC, CPVC, PP, SS (AL29-4C)
VENT/COMBUSTION AIR CONNECTION DIAMETER	4"	4"	4"
VENT/COMBUSTION AIR PIPE SIZE	3" or 4"	4"	4"
VENTING LENGTH	100'	100'	100'
MIN. RECOMMENDED PIPE SIZE	1 ¼"	1 ¼"	1 ¼"
SUPPLY/RETURN TAPPING	1 ½"	1 ½"	1 ½"
GAS CONNECTION SIZE	¾"	¾"	¾"
APPROX. SHIPPING WEIGHT (Lbs.)	215	260	260
WATER VOLUME (Gal.)	4.6	7.0	6.7

*Combustion Efficiency

†Model Dependent



DIMENSIONS

MODEL 220-399



APPEALS TO YOUR CUSTOMER, THE COMMERCIAL BUILDING OWNER

- Reduced ownership cost by being energy efficient, energy optimized and environmentally friendly
 - 96.5% combustion efficiency
 - SmartSequencing® – balanced energy load across all system boilers
 - Low NOx < 20PPM certified
 - Ease of maintenance means no high cost maintenance contract
 - Features a durable, commercial grade heat exchanger; reliable and long lasting
 - Qualifies for utility rebates
- Provides better comfort, with controls that provide exactly as much heat as is required
- Wall or floor mount saves space
- Sleek, visually pleasing design adds value to the property

PROVIDES A SOLUTION FOR SMALL TO MEDIUM SIZED COMMERCIAL PROJECTS

- Quick and easy installation keeps project costs low
 - Arrives completely built and factory tested, no job-site assembly required
 - Compact size and shape makes it easy to maneuver into tight installations; eliminates need for extra rigging
 - Simple to use setup wizard with guided installation
- Available for quick delivery or emergency replacement
 - In stock for immediate shipment
- Innovative controls with ZoneStacking® up to 24 programmable zones without need for additional panel
- Durable design with a stainless steel heat exchanger and non-metallic condensate base

STANDARD EQUIPMENT:

BOILER

- Stainless steel firetube heat exchanger
- Non-metallic heat exchanger base
- Floor standing or wall-mount
- Natural or LP gas
- Negative regulated combustion
- 5 to 1 turndown ratio (110-155)
- 10 to 1 turndown ratio (220-399)
- Boiler circulator
 - Taco 0014 (220/299)
 - Taco 0013 (399)
- Low water cut-off

VENTING

- Direct vent 100 ft. for intake and 100 ft. for vent
- Direct exhaust
- Dual pressure zones
- Common combustion air

CONTROL FEATURES

- Easy installation with Setup Wizard
- Zone and/or priority based control
- Three thermostat inputs
- Outdoor reset for each priority
- Rate adjustable per priority
- 0-10V input (modulation or setpoint)
- Four total outputs
 - 1 dedicated boiler circulator output
 - 3 additional outputs can be used with circulators, dampers, or system aux
- Aux inputs – flow switch or end switch
- Aux outputs – system pump or damper
- Modbus® connectivity
- Additional heat demand contact

JACKET ASSEMBLY

- Fully removable jacket front door
- Adjustable boiler legs
- On/off power switch (220-399)
- Line voltage service receptacle (220-399)
- Mounting bracket ready for wall-mount kit (Optional kit for 220-399)
- Condensate trap

OPTIONAL EQUIPMENT:

- Wall-mount kit (220-399)
- Concentric vent kit
- Condensate neutralizer kit
- Sidewall vent/air termination kit
- Maintenance kits
- Propane conversion kit
- Easy-Up manifold kit
- Service parts kit
- Water treatment – inhibitor & test kit

WARRANTY:

Transferable, Non-Prorated

RESIDENTIAL

- 12-year heat exchanger limited warranty
- 2 years on parts without registration or **5 years on parts with registration**

COMMERCIAL

- 10 years on primary heat exchanger
- 1 year on parts



Installs fast.
Built to last.

SlimFit®

HIGH EFFICIENCY CONDENSING BOILER

Multiple Direct Exhaust & Vent Options

Venting can be either direct exhaust or direct vent. Acceptable materials include PVC, CPVC, PP and SS (AL29-4C). Maximum vent lengths for fresh air intake and exhaust are up to 100 ft. each.

Durable Aluminum Heat Exchanger

Cast aluminum sectional block provides 12 times better heat transfer than stainless steel.

Fully Modulating Burner

High-grade single stainless steel burner covered with fiber mesh fires along the entire length of the combustion area. Smart boiler controls provide full combustion modulation with 5:1 turndown ratio (SF550, SF750).

Variable Speed Motor

Precise mix of fuel and air is automatically controlled by adjusting fan speed for optimal boiler performance within its entire firing range. The integrated boiler controls consistently match combustion output to building heating needs.

Composite Base

Non-metallic heat exchanger base protects against corrosion due to aggressive condensate resulting in long-lasting service backed by industry-leading ten year non-prorated heat exchanger warranty. All other components come with two year warranty as standard.

Plug and Play Operation

Each unit is factory wired, pre-programmed, test fired and comes with factory provided test certificate.

CSD-1 is Standard

- High & low gas pressure switches (with manual reset and indicator light)
- Manual reset low water cut-off (LWCO)
- Adjustable manual reset high limit
- UL-353 certified limit controls
- Factory test report shipped with boiler

Modulating Gas Valve

Safe and reliable operation is provided by a negative pressure regulating gas valve even when supply gas pressure is as low as three inches of water.

Common Venting

Common venting is allowed in an engineered Category II vent system on the SlimFit commercial boilers sizes 550 MBH, 750 MBH, 1000 MBH, 1500 MBH and 2000 MBH under the following conditions:

- Maximum number of boilers allowed to be connected to a common duct is eight
- All boilers in the common vent system must be the same size
- Vertical vent only
- Direct exhaust (combustion air from the boiler room) only should be considered

†Model Dependent



DIMENSIONS



SPECIFICATIONS

Model	SF550	SF750
Input Max. (MBH)	550	750
Input Min. (MBH)	110	150
Gross Output (MBH)	517	702
Net AHRI (MBH)	450	610
Thermal Efficiency	93.9%	93.6%
Vent Material	PVC, CPVC, PP, SS (AL29-4C)	PVC, CPVC, PP, SS (AL29-4C)
Vent/Air Size	6" or 8"	6" or 8"
Vent/Air Length	100'	30' or 100'
Min. Gas Pressure (WC)	3.5"	3.5"
Supply/Return Connections	2" NPT Male	2" NPT Male
Gas Connection Size	1 1/4" NPT Male	1 1/4" NPT Male
Full Length	47 1/4"	47 1/4"

The SlimFit® high-efficiency condensing boilers are designed for fast, easy installation in new and existing commercial and institutional settings, including religious, educational and government buildings. The units connect easily on-site—lowering installation costs and ensuring timely project completion.



STANDARD EQUIPMENT:

BOILER

- Sectional aluminum block
- 30 PSI ASME relief valve standard (optional 50 & 80 PSI)
- Stainless steel burner with woven steel fiber mesh
- Direct spark ignition
- Variable speed blower assembly
- Venturi mixing system with air silencer
- Negative pressure regulated gas valve
- 50 VA transformer
- Dual scale temperature & pressure gauge
- Outlet water temp. sensor
- Inlet water temp. sensor
- Flue gas temp. sensor
- Outdoor temp. sensor
- System water temp. sensors
- Integrated drain in vent adapter

CSD-1 COMPLIANT

- Manual reset LWCO
- High & low gas pressure switches (manual reset)
- Manual reset high limit
- UL 353 certified U-Control

COMPLETE JACKET ASSEMBLY WITH

- Fully removable jacket front
- On/off power switch
- Line voltage service receptacle
- Condensate trap with drain tee assembly
- Propane conversion orifice
- Vent screens

UNITY™ CONTROL SYSTEM

- Intuitive, color coded display
- Simple set-up (predetermined settings) or fully customizable functions
- Multiple boilers and up to four circulators
- Alarm functionality
- High limit and modulating temperature control
- Outdoor reset and warm weather shutdown
- Programmable maintenance schedule and contractor information
- Low water protection
- Manual reset
- Ignition control
- Adjustable priorities

LIMITED TRANSFERABLE WARRANTY:

- Residential: 10 Years Heat Exchanger; 2 Years Parts
- Commercial: 10 Years Heat Exchanger; 2 Years Parts



Installs fast.
Built to last.

SlimFit®

HIGH EFFICIENCY CONDENSING BOILER

Multiple Direct Exhaust & Vent Options

Venting can be either direct exhaust or direct vent. Acceptable materials include PVC, CPVC, PP and SS (AL29-4C). Maximum vent lengths for fresh air intake and exhaust are up to 100 ft. each.

Durable Aluminum Heat Exchanger

Cast aluminum sectional block provides 12 times better heat transfer than stainless steel.

Fully Modulating Burner

High-grade single stainless steel burner covered with fiber mesh fires along the entire length of the combustion area. Smart boiler controls provide full combustion modulation with 6:1 turndown ratio (SF1000-SF2000).

Variable Speed Motor

Precise mix of fuel and air is automatically controlled by adjusting fan speed for optimal boiler performance within its entire firing range. The integrated boiler controls consistently match combustion output to building heating needs.

Composite Base

Non-metallic heat exchanger base protects against corrosion due to aggressive condensate resulting in long-lasting service backed by industry-leading ten year non-prorated heat exchanger warranty. All other components come with two year warranty as standard.

Plug and Play Operation

Each unit is factory wired, pre-programmed, test fired and comes with factory provided test certificate.

CSD-1 is Standard

- High & low gas pressure switches (with manual reset and indicator light)
- Manual reset low water cut-off (LWCO)
- Adjustable manual reset high limit
- UL-353 certified limit controls
- Factory test report shipped with boiler

Modulating Gas Valve

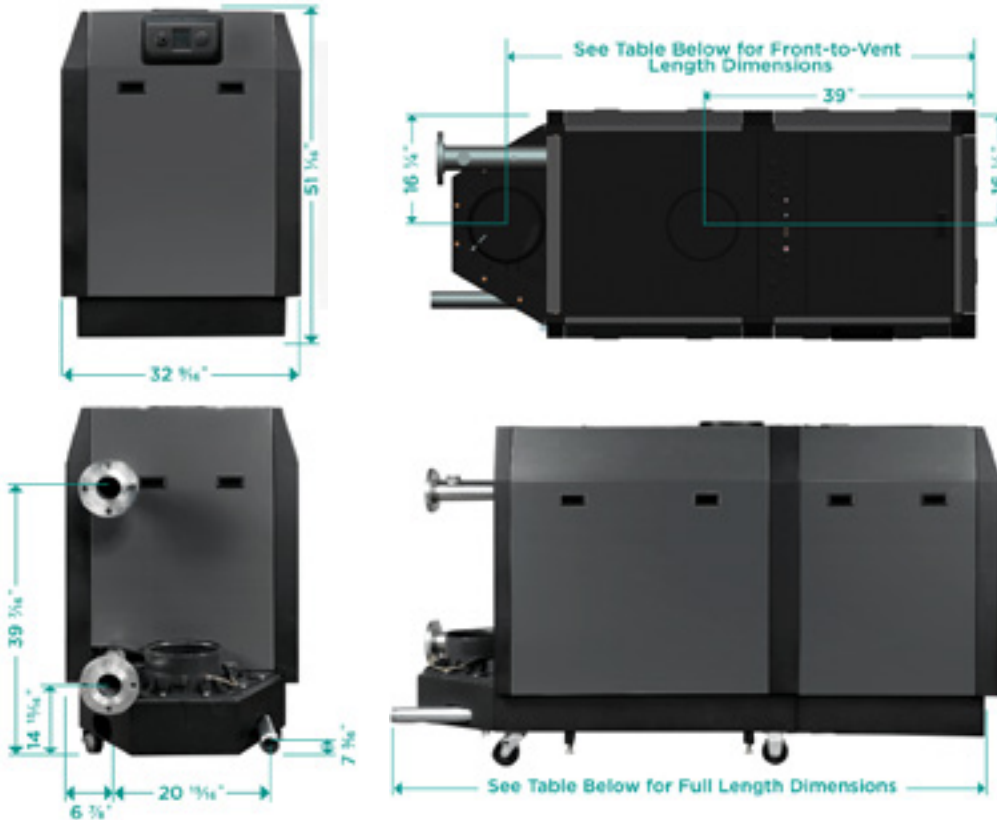
Safe and reliable operation is provided by a negative pressure regulating gas valve even when supply gas pressure is as low as three inches of water.

Common Venting

Common venting is allowed in an engineered Category II vent system on the SlimFit commercial boilers sizes 550 MBH, 750 MBH, 1000 MBH, 1500 MBH and 2000 MBH under the following conditions:

- Maximum number of boilers allowed to be connected to a common duct is eight
- All boilers in the common vent system must be the same size
- Vertical vent only
- Direct exhaust (combustion air from the boiler room) only should be considered

DIMENSIONS



SPECIFICATIONS

Model	SF1000	SF1500	SF2000
Input Max. (MBH)	1000	1500	2000
Input Min. (MBH)	167	250	333
Gross Output (MBH)	958	1437	1906
Net AHRI (MBH)	833	1250	1657
Thermal Efficiency	95.8%	95.8%	95.3%
Vent Material	PVC, CPVC, PP, SS (AL29-4C)	PVC, CPVC, PP, SS (AL29-4C)	PVC, CPVC, PP, SS (AL29-4C)
Vent/Air Size	6" or 8"	8"	8"
Vent/Air Length	100' or 150'	100'	100'
Min. Gas Pressure (WC)	3"	3"	3"
Supply/Return Connections	3" ASME Class 150 Flange	3" ASME Class 150 Flange	3" ASME Class 150 Flange
Gas Connection Size	2" NPT Male	2" NPT Male	2" NPT Male
Full Length	77 15/16"	77 15/16"	90 3/16"
Front-To-Vent Length	67 1/16"	67 1/16"	79 1/4"

The SlimFit® high-efficiency condensing boilers are designed for fast, easy installation in new and existing commercial and institutional settings, including religious, educational and government buildings. The units connect easily on-site—lowering installation costs and ensuring timely project completion.



STANDARD EQUIPMENT:

BOILER

- Sectional aluminum block
- 30 PSI ASME relief valve standard (Optional 50, 80, & 100 PSI relief valves)
- Stainless steel burner with woven steel fiber mesh
- Direct spark ignition
- Variable speed blower assembly
- Venturi mixing system with air silencer
- Negative pressure regulated gas valve
- 50 VA transformer
- Dual scale temperature & pressure gauge
- Outlet water temp. sensor
- Inlet water temp. sensor
- Flue gas temp. sensor
- Outdoor temp. sensor
- System water temp. sensors
- Integrated drain in vent adapters
- Flame sense rod

CSD-1 COMPLIANT

- Manual reset LWCO
- High & low gas pressure switches (manual reset)
- Manual reset high limit
- UL 353 certified U-Control

COMPLETE JACKET ASSEMBLY WITH

- Fully removable jacket front
- On/off power switch
- Condensate trap with drain tee assembly
- Manual reset high limit

UNITY™ CONTROL SYSTEM

- Single or multiple boiler control (with lead boiler rotation).
- Graphic and robust text display for ease of operation monitoring and troubleshooting.
- Three programmable priority assignments for up to three heat inputs.
- Preset operating parameters for typical heating systems, including target temperatures, reset curves and circulator assignments.
- Integral outdoor reset option, with reset curves matched to the system type selected.
- ModBus communications for external communication and monitoring.

LIMITED TRANSFERABLE WARRANTY:

- Residential: 10 Years Heat Exchanger; 2 Years Parts
- Commercial: 10 Years Heat Exchanger; 2 Years Parts



SVF™

 | STAINLESS
VERTICAL
FIRETUBE

Expanding the power of stainless: Our state-of-the-art 1500-3000 MBH firetube boiler.

The SVF 1500-3000 Stainless Vertical Firetube line delivers industry-leading efficiency and reliability through the use of the highest quality materials and cutting edge design. This powerful boiler is ideal for schools and municipal buildings, meets all standard bid specs for new construction projects and is ideal for hybrid applications and replacement boilers needs.

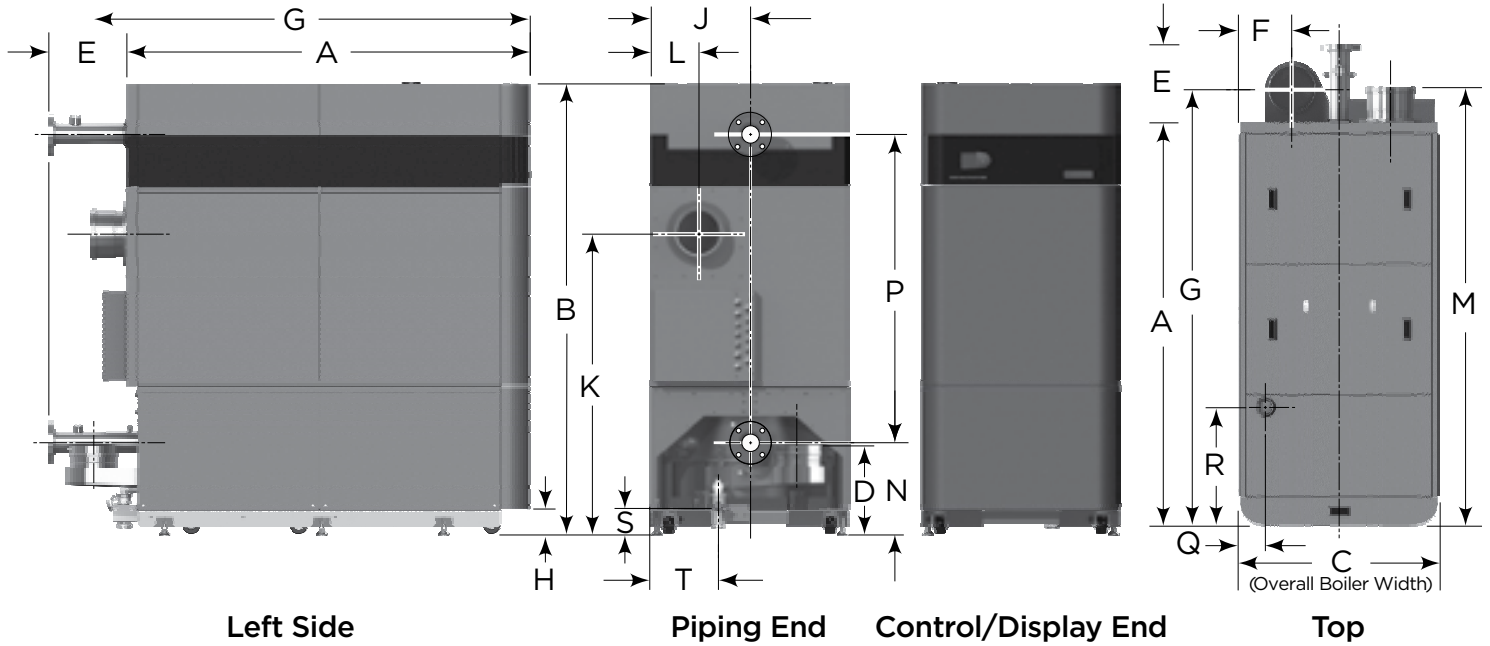
- Industry-leading thermal efficiency up to 96.8%
- Vertical, stainless steel heat exchanger
- Available in 4 sizes: 1500/2000/2500/3000 MBH
- Water boiler with natural gas and propane fuel options
- 160 psi working pressure
- Up to 10:1 turn down ratio
- Easy access, serviceable stainless steel condensate tray
- Integrated roller casters and leveling legs for contractor-friendly installation
- Standard “door-fit” design
- Zero clearance, side-by-side installation capable
- Hinged cover plate for quick access to burner and firetubes for time-saving preventive maintenance
- Advanced Unity™ control system (70-3000 MBH compatibility) with built-in set-up wizard
- Weil-McLain built-to-last reliability and longevity

†Model Dependent

*Please call your local Weil-McLain sales office for additional venting options



Dimensions and Product Specifications



Model No.	A	B	C	D	E	F	G	H	J	K	L	M	N	P	Q	R	S	T
1500/2000	70 1/16"	79"	35 1/8"	15 5/8"	13 3/8"	9 1/4"	7 7/16"	4 1/2"	17 3/8"	52 1/16"	8 3/8"	76 15/16"	16 1/4"	53 15/16"	4 7/16"	20 3/4"	4 1/16"	11 1/16"
2500/3000	70 1/16"	79"	35 1/8"	15 5/8"	16 1/4"	8 5/8"	7 79/16"	4 1/2"	17 3/8"	52 1/16"	8 3/8"	76 15/16"	16 1/4"	53 15/16"	4 7/16"	20 3/4"	4"	10 1/4"

(height dimensions based on 4 1/4" spacing from floor to bottom)

Model No.	AHRI Thermal Efficiency	AHRI Combustion Efficiency	Max Pressure (psi)	Max Input (MBH)	Gross Output (MBH)	Net AHRI Rating (MBH)	Turn Down	Water Conn	Gas Conn	Air/Intake Vent Size (Diameter)	Length	Width	Height	Shipping Weight (lbs)
SVF 1500	96.5%	-	160	1500	1448	1259	7.5:1**	3" Flange	2" FNPT	8"	84.1"	35.2"	79.3"	2,445
SVF 2000	96.2%	-	160	1999	1923	1672	10:1**	3" Flange	2" FNPT	8"	84.1"	35.2"	79.3"	2,445
SVF 2500	96.8%	-	160	2499	2419	2104	8.3:1	3" Flange	2" FNPT	10"	84.1"	35.2"	79.3"	2,850
SVF 3000	-	95.8%	160	3000	2874	2499	10:1	3" Flange	2" FNPT	10"	84.1"	35.2"	79.3"	2,850

**Turn down ratios for natural gas, refer to engineering tech data for propane.

Industry Leading Efficiency

- Up to 96.8% Thermal Efficiency*
- ASME Certified Stainless Steel Firetube Heat Exchanger and Shell
- Alternating, Opposed Indentation Firetube Geometry for Maximum Heat Transfer
- 160 psi Working Pressure
- 30 psi Relief Valve

Modulating, Low Emissions Burner Design

- Natural Gas or Propane
- Up to 10:1 Turndown Ratio*
- Down to <20ppm NOx Emissions *
- Low Gas Pressure Operation
- Direct Spark Ignition
- Variable Speed Blower Assembly
- Swirl Plate Enhanced Venturi Mixing System
- Intake Combustion Air Filter
- Negative Pressure Regulated Gas Valve
- 50 VA Transformer
- Temperature & Pressure Gauge
- Outdoor Temp. Sensor
- Outlet & Inlet Water Temp. Sensor
- Flue Gas Temp. Sensor
- System Water Temp. Sensors
 - Immersion Style—Supply & Return

Venting Options

- Direct Exhaust—Vertical (CAT II)
- Direct Vent—Sidewall, Vertical, & Side Intake with Vertical Exhaust (CAT IV)
- Direct Exhaust—Vertical (CAT IV)

*model dependent

Complete Jacket Assembly

- Fully Removable Jacket
- Rugged, Steel Frame & Panels

Easy Install/Serviceability

- Easy Set-up with Control Wizard
- Industrial-Grade Roller Casters
- Shipping Crate Ramp
- Hinged Cover Plate
- "Door-Fit" Design
- Zero-Clearance to Combustibles
- Stainless Steel Burner with Woven Fiber Mesh
- Removable, Stainless Steel Condensate Tray
- Single-Point Installation
 - All Field Connections (Excludes Gas/Front) Out Back of Boiler

Multiple Boiler Features

- Up to 8 Boilers, Multiple System functionality with Lead/Lag Capability
- Series, Parallel, or SmartSequencing™
- Lead Boiler Rotation
- Variable Primary Flow Design Capable
- (3) Boiler Priorities Capability—Either (2) Network and (1) Local or (1) Network and (2) Local
- (24) Zone Inputs and Outputs with (8) Total Cascaded Boilers via Zone Stacking™
- Aux Inputs—Flow Switch, End Switch, Etc.
- System Aux Outputs—System Pump or Damper

Control Features

- SVF 1500/2000—120V/1Ph/60Hz
- SVF 2500/3000—208V/3Ph/60Hz
- Manual Reset Push Button through Display
- Operating Status Color LCD Display
- Preset Operating Parameters Including Typical Heating Systems
- Configurable Outdoor Reset
- Rate Setting for Each Input/Output
- 0-10V Input (Modulation or Set Point)
- Standard Modbus Connectivity
- Additional Heat Demand Functionality
- Contact with 0-10V Output
- Labeled Terminal Blocks for Field Terminations
- Ignition Control
- High Limit & Modulating Temp. Control
- Alarm Control Functionality
- Onboard Time & Date
- Low Water Cut-Off—Manual Reset
- Warm Weather Shutdown
- Freeze Protection
- Boiler Service Interval & Contractor Info

CSD-1 Compliant

- Manual Reset LWCO
- Manual Reset High & Low Gas Pressure Switches
- UL 353 Certified High Limit Control with Manual Reset
- UL 353 Certified Operating Control

Non-Pro-Rated Warranty (Residential and Commercial)

- 10 Year Heat Exchanger Warranty
- 2 Year Parts Warranty

Optional Equipment

- Pressure Relief Valve—50/80/100/150 psi
- System Water Temp. Sensors
 - Strap-On—Supply & Return
- BacNet or LonWorks Converter Kit
- Annual Maintenance Kit
- Corrosion Inhibitor
- Condensate Neutralizer Kit
- Anti-Freeze

Boiler Certifications

- ASME IV, CSA, AHRI
- SCAQMD*
- Commercial Energy Star*



LGB
Atmospheric Gas Boiler



88 Steam
Gas, Oil or Oil & Gas
Cast Iron Boiler



88 Water
Gas, Oil or Oil & Gas
Cast Iron Boiler



94 Series
Gas, Oil or Oil & Gas
Cast Iron Boiler



LGB

Ideal for a Full Range Applications:

Large Residential, Multi-Family, Medical,
 Educational & College, Municipal, Religious,
 Brewery & Distillery, Institutional

SPECIFICATIONS

Model	Input (BTU/Hr)	Minimum Input (BTU/Hr)	Steam Gross Output (BTU/Hr)	Water Gross Output (BTU/Hr)	Net Ratings			Boiler H.P.	Thermal Efficiency		Boiler Water Content		Approx. Shipping Weight (Lbs.)	Packaged Boiler Options		Chimney Breeching Size (I.D.) (Inches)
					Steam (Sq.Ft.)	Steam (MBH)	Water (MBH)		Water	Steam	Steam to Waterline (Gallons)	Water (Gallons)		Assembled Block Approx. Weight (Lbs)	Packaged Boiler Approx. Weight (Lbs)	
LGB-4R	350,000	175,000	283,000	294,000	885	212	256	8.5	84%	81%	23.2	36.5	1298	1064	1777	10
LGB-4	400,000	200,000	324,000	336,000	1013	243	292	9.7	84%	81%	23.2	36.5	1598	1064	1777	10
LGB-5	520,000	260,000	421,000	436,000	1316	316	379	12.6	84%	81%	28.9	45.6	1898	1321	1994	12
LGB-6	650,000	325,000	526,000	546,000	1644	395	475	15.7	84%	81%	34.6	54.7	2198	1578	2216	12
LGB-7	780,000	390,000	631,000	655,000	1972	473	570	18.8	84%	81%	40.3	63.9	2498	1835	2550	12
LGB-8	910,000	455,000	737,000	764,000	2304	553	664	22.0	84%	81%	46.0	73.0	2798	2117	2773	14
LGB-9	1,040,000	520,000	842,000	873,000	2632	632	759	25.2	84%	81%	51.9	82.1	3098	2375	3108	14
LGB-10	1,170,000	585,000	947,000	982,000	2960	710	854	28.3	84%	81%	57.6	91.2	3398	2657	3442	16
LGB-11	1,300,000	650,000	1,053,000	1,092,000	3303	793	950	31.5	84%	81%	63.4	100.4	3698	2914	3669	16
LGB-12	1,430,000	715,000	1,158,000	1,201,000	3666	880	1044	34.6	84%	81%	69.1	109.5	3998	3196	3895	16
LGB-14	1,690,000	845,000	1,368,000	1,419,000	4394	1054	1234	40.9	84%	81%	80.7	127.7	4298	3740	4779	16
LGB-16	1,950,000	975,000	1,579,000	1,638,000	5108	1226	1424	47.2	84%	81%	92.2	146.0	4598	—	—	17
LGB-18	2,210,000	1,105,000	1,790,000	1,856,000	5791	1390	1614	53.5	84%	81%	103.6	164.2	4898	—	—	18
LGB-20	2,470,000	1,235,000	2,000,000	2,074,000	6470	1553	1803	59.7	84%	81%	115.3	182.5	5198	—	—	19

¹Add to boiler number "S" for Steam, "W" for Water. For LGB-4 through 14 only: add prefix "A-" to designator for factory-assembled sections (example: A-LGB-4). Add prefix "P-" to designator for fire-tested packaged unit (example: P-LGB-4). Note: IRI gas trains for LGB-5 through 14 are removed for shipping.

²MBH refers to thousands of BTU per hour.

³Net AHRI ratings are based on net installed radiation of sufficient quantity for the requirement of the building and nothing need be added for normal piping and pick-up. Water ratings are based on a piping and pick-up allowance of 1.15. Steam ratings based on the following allowances: LGB-4 through 12: 1.33/LGB-13: 1.332/LGB-14: 1.322/LGB-15: 1.312 / LGB-16: 1.304/LGB-17: 1.297 / LGB-18: 1.292/LGB-20 through 23: 1.288. An additional allowance should be made for gravity hot water systems or unusual piping and pickup loads. Ratings shown are for elevations up to 2,000 feet. For elevations above 2,000 feet, reduce ratings at rate of 4 percent per 1000 feet above sea level.

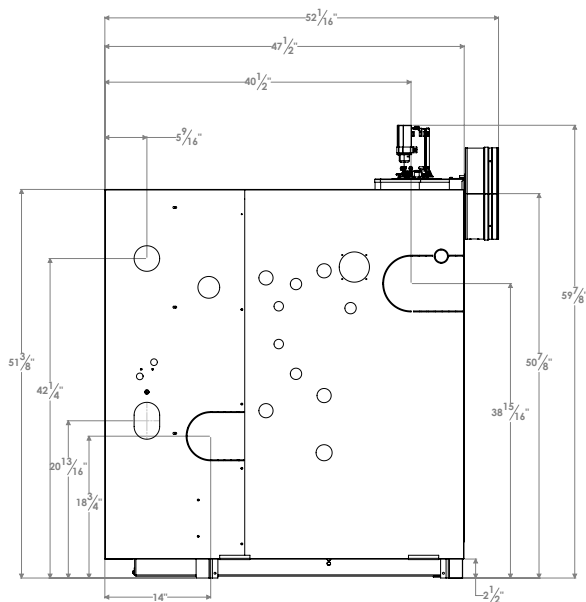
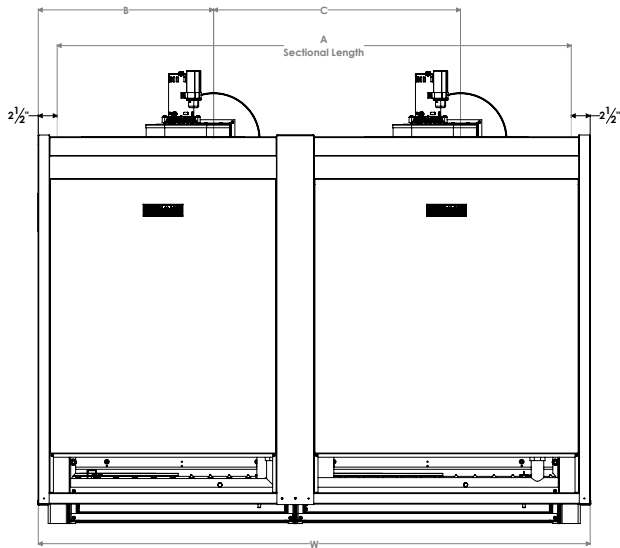
⁴20' chimney height may be used based on using a 6' length of connector for breeching of the size shown from the nearest draft hood outlet to the chimney or vent with not more than one standard sloping-type 90° elbow. If individual vertical vents are to be used, each vent diameter should be the same size as the respective draft hood outlet and the height may be reduced to 5' measured above the draft hood outlet.

NOTE: Water boilers tested at 80 PSI working pressure.

†Model Dependent



DIMENSIONS



STANDARD EQUIPMENT:

- Cast iron sections
- 2023 DOE regulatory compliant
 - 81% Thermal Efficiency (Steam)
 - 84% Thermal Efficiency (Water)
- Steam and water heating designs
- 350-2470 MBH performance range
- Natural gas fuel
- Standard 5.75" gas train
- 2-stage low, high, low combustion
- 350-2470 MBH performance range
 - LGB 4R, 4, 5, 6, 7, 8, 9, 10, 11, & 12 section configurations
 - LGB 14, 16, 18, & 20 sections configurations
- Insulated extended jacket
- Aluminized steel collector hood(s)
- Boiler design tested for 80 psig working pressure
- 120/24V control transformer
- Factory-packaged burner-base assembly
 - One-piece, stainless steel burners, gas distribution
 - Manifold, steel base panels, and high temperature insulation board panels
- Wiring harness, junction box and pre-wired flexible conduit
- Plug-and-play, draft inducer - reduced installation height requirement
- Vent adaptors
- LCD controller
- Streamlined, contractor-friendly installation
- Refreshed aesthetic design

WATER BOILERS:

- Combination operating & high limit temperature control
- Combination pressure/temperature gauge
- 30 psi, ASME relief valve — outlet side
- Integrated air eliminator end section design
- Probe type low water cut-off (packaged only)
- CAT II vent design compliant

STEAM BOILERS:

- Operating pressure control
- High limit pressure control
- Compound pressure/vacuum gauge
- Gauge cocks, glass & guards
- 15 psi, ASME relief valve — side outlet
- Float type water cut-off
- CAT I vent design compliant

ENHANCED STANDARD CONTROLS:

- LCD back-lit, digital display
- 2-line, English explanations
- Easy start-up programming prompts
- Directional navigation buttons
- Improved plug-and play wiring approach
- color-coded, pre-wired terminal blocks
- Modbus capable
- CSD-1 and FM options
- Clean finished installation

LIMITED TRANSFERABLE WARRANTY:

- Residential: 10 Years Heat Exchanger; 1 Year Parts
- Commercial: 10 Years Heat Exchanger; 1 Years Parts

Model	Supply Tappings		Return Tappings		Dimensions (In.)				Gas Train (5.75")		Vent Adaptor Outlet(s)	
	Qty	Size	Qty	Size	A	B	C	W	Qty	Conn. Size	Qty	Size
LGB-4R	2	6"	2	5"	18"	15"	—	23"	1	1"	1	10
LGB-4	2	6"	2	5"	18"	15"	—	23"	1	1"	1	10
LGB-5	2	6"	2	5"	23"	18 3/16"	—	28"	1	1"	1	12
LGB-6	2	6"	2	5"	28"	20 1/16"	—	33"	1	1 1/4"	1	12
LGB-7	2	6"	2	5"	33"	23 3/16"	—	38"	1	1 1/4"	1	12
LGB-8	2	6"	2	5"	38"	25 1/16"	—	43"	1	1 1/4"	1	14
LGB-9	2	6"	2	5"	43"	28 3/16"	—	48"	1	1 1/4"	1	14
LGB-10	2	6"	2	5"	48"	30 1/16"	—	53"	1	1 1/2"	1	16
LGB-11	2	6"	2	5"	53"	33 3/16"	—	58"	1	2"	1	16
LGB-12	2	6"	2	5"	58"	35 1/16"	—	63"	1	2"	1	16
LGB-14	2	6"	2	5"	68"	23 3/16"	32 1/16"	73"	1	2"	2	12 or 14
LGB-16	2	6"	2	5"	78"	28 3/16"	37 1/16"	83"	1	2"	2	14 or 14
LGB-18	2	6"	2	5"	88"	28 3/16"	42 1/16"	93"	1	2"	2	14 or 16
LGB-20	2	6"	2	5"	98"	33 3/16"	47 1/16"	103"	1	2"	2	16 or 16

In the interest of continual improvement in product and performance, Weil-McLain reserves the right to change specifications without notice.



88 STEAM

Ideal for a Full Range of Commercial Steam Applications:

Multi-Family, Medical, Educational & College, Municipal, Religious, Brewery & Distillery, Institutional

SPECIFICATIONS

Boiler Model	AHRI			AHRI Net Rating			Flue Outlet (Diam.)	Thermal Efficiency	
	Oil Input GPH	Gas Input MBH	Gross Output MBH	Steam MBH	Steam (Sq./Ft.)	Boiler H.P.		Oil	Gas
488R	6.9	996	827	620	2,583	24.7	10"	85.6%	83.1%
488	7.0	1010	839	629	2,621	25.1	10"	85.6%	83.1%
588	9.4	1356	1126	845	3,521	33.6	10"	85.6%	83.1%
688	11.8	1701	1413	1072	4,469	42.2	10"	85.6%	83.1%
788	14.2	2046	1700	1311	5,463	50.8	12"	85.6%	83.1%
888	16.6	2382	1987	1543	6,427	59.4	12"	85.6%	83.1%
988R	17.2	2482	2062	1601	6,671	61.6	14"	85.6%	83.1%
988	18.8	2737	2274	1766	7,358	67.9	14"	85.6%	83.1%
1088R	20.0	2887	2399	1863	7,763	71.7	14"	85.6%	83.1%
1088	21.5	3082	2561	1988	8,283	76.5	14"	85.6%	83.1%
1188	23.5	3428	2848	2211	9,213	85.1	14"	85.7%	83.1%
1288	26.0	3773	3135	2434	10,147	93.7	14"	85.7%	83.1%
1388	28.5	4119	3422	2657	11,071	102.2	14"	85.7%	83.1%
1488	31.0	4464	3709	2880	12,000	110.8	16"	85.7%	83.1%
1588	33.0	4809	3996	3102	12,925	119.4	16"	85.7%	83.1%
1688R	34.5	4976	4137	3212	13,383	123.6	16"	85.7%	83.1%
1688	35.5	5155	4283	3325	13,854	127.9	16"	85.7%	83.1%
1788	38.0	5494	4570	3548	14,783	136.5	18"¹	85.7%	83.1%
1888	40.5	5845	4857	3771	15,713	145.1	18"¹	85.7%	83.1%

NOTES:

Burner input based on maximum of 2,000 feet altitude — for higher altitudes consult Weil-McLain representative.

No. 2 fuel oil commercial standard spec. CS75-56. Heat value of oil: 140,000 BTU/G.

Stack gas volume at outlet temperature

Consult Weil-McLain burner specifications sheets for gas pressures required.

Gross AHRI ratings have been determined under the AHRI provision governing forced draft boiler-burner units.

Net AHRI ratings are based on net installed radiation of sufficient quantity for the requirements of the building and nothing need be added for normal piping and pickup. Water ratings are based on a piping and pickup allowance of 1.15. Steam ratings are based on the following allowances: 488 and 588: 1.333; 688: 1.323; 788: 1.300; 888: 1.289; and 988 through 1888: 1.288. An additional allowance should be made for gravity hot water systems or for unusual piping and pickup loads. Consult Weil-McLain representative.

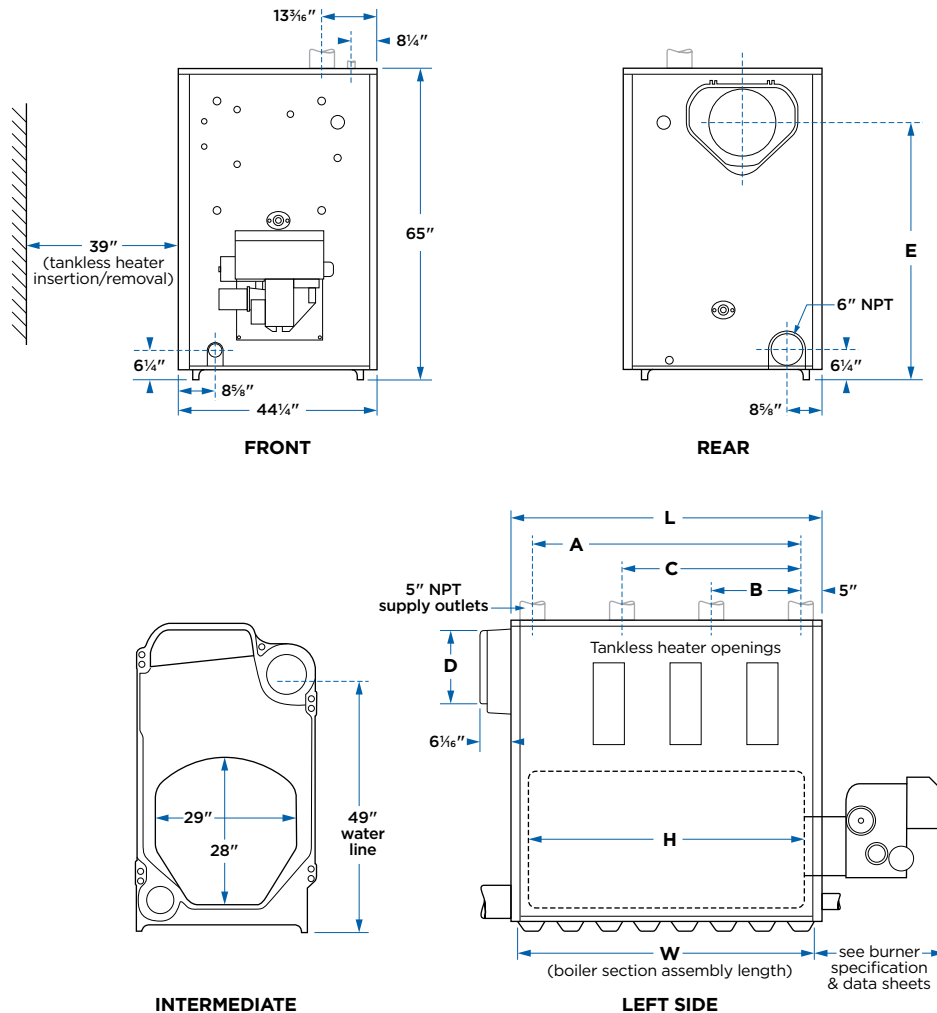
¹Flue collar connection is oval, 16½ x 19½.



DIMENSIONS

Boiler Model	Supply Tapping		Return Tapping		AHRI Vent or Liner (Diam./In.)		Dimensions (In.) — Reference Drawings Opposite							
	Steam		Steam		Forced Draft	Balanced Draft	A	B	C	D	E	L	W	H
	Qty.	Size	Qty.	Size										
488R	2	5"	1	6"	10	12	23	—	—	10	54 ¾	34 ¾	30	23 ¾
488	2	5"	1	6"	10	12	23	—	—	10	54 ¾	34 ¾	30	23 ¾
588	2	5"	1	6"	10	15	31	—	—	10	54 ¾	42 ¾	38	31 ¾
688	2	5"	1	6"	12	15	39	—	—	10	54 ¾	50 ¾	46	39 ¾
788	2	5"	1	6"	12	18	47	—	—	12	53 ¾	58 ¾	54	47 ¾
888	2	5"	1	6"	14	18	55	—	—	12	53 ¾	66 ¾	62	55 ¾
988R	2	5"	1	6"	14	18	63	—	—	14	52 ¾	74 ¾	70	63 ¾
988	2	5"	1	6"	14	18	63	—	—	14	52 ¾	74 ¾	70	63 ¾
1088R	2	5"	1	6"	14	21	71	—	—	14	52 ¾	82 ¾	78	71 ¾
1088	2	5"	1	6"	14	21	71	—	—	14	52 ¾	82 ¾	78	71 ¾
1188	2	5"	1	6"	16	21	79	—	—	14	52 ¾	90 ¾	86	79 ¾
1288	3	5"	1	6"	16	21	87	39 ½	—	14	52 ¾	98 ¾	94	87 ¾
1388	3	5"	1	6"	16	24	95	47 ½	—	14	52 ¾	106 ¾	102	95 ¾
1488	3	5"	1	6"	18	24	103	55 ½	—	16	51 ¾	114 ¾	110	103 ¾
1588	3	5"	1	6"	18	24	111	63 ½	—	16	51 ¾	122 ¾	118	111 ¾
1688R	3	5"	1	6"	18	24	119	47 ½	—	16	51 ¾	130 ¾	126	119 ¾
1688	3	5"	1	6"	18	24	119	47 ½	—	16	51 ¾	130 ¾	126	119 ¾
1788	4	5"	1	6"	18	24	127	31 ½	79 1½	18'	51 ¾	138 ¾	134	127 ¾
1888	4	5"	1	6"	20	27	135	39 ½	87 ½	18'	51 ¾	146 ¾	142	135 ¾

¹For 18" diameter breaching, flue collar is oval (16 ½ x 19 ¾)



STANDARD EQUIPMENT: ALL BOILERS

- ASME 80 PSI rated cast iron sections
- Insulated steel jacket
- Power burner for light oil, gas or gas/light oil (except H-XX88)
- Burner mounting plate with refractory (except H-XX88)
- Cast iron flue collar with built-in breaching damper
- Observation ports on front and back sections
- Cleanout plates with reusable gaskets
- Flue brush
- HXT-bars
- 3 in. of insulation (except front panel)
- 5 PSI ASME safety valve outside outlet
- Low limit and high limit pressure controls
- Steam pressure gauge siphon
- Gauge cocks, glass and guards

OPTIONAL EQUIPMENT:

- Factory assembled sections
- Burner mounting plate with refractory for "H" units
- Intermediates with tankless heater opening
- Tankless heaters for domestic hot water (water or steam boilers)
- Tankless heater opening cover plates
- Low water cutoffs
- Barometric dampers
- Side inspection tappings with plugs—2 per section
- Dual-range manometer
- Burner manufacturers: Beckett, Carlin, Powerflame, Reillo & Webster
- Burner fire options: On-off, low-high-off, low-high-low or modulation
- Burner Fuel: natural gas, LP gas, oil, or combination burners such as: gas-oil

LIMITED TRANSFERABLE WARRANTY:

- Residential: 10 Years Heat Exchanger; 1 Year Parts
- Commercial: 10 Years Heat Exchanger; 1 Year Parts



88 WATER

Ideal for a Full Range of Commercial Water Applications:

Multi-Family, Medical, Educational & College, Municipal, Religious, Brewery & Distillery, Institutional

SPECIFICATIONS

Model	Burner Capacity		Gross Output		Net Ratings		Efficiency Ratings				Boiler H.P.	Flue Outlet Diameter	Boiler Water Content	Approx. Boiler Weight
	Input Oil (GPH)	Input Gas (MBH)	Output Oil (MBH)	Output Gas (MBH)	Output Oil (MBH)	Output Gas (MBH)	Oil		Gas					
							Combustion Efficiency	Thermal Efficiency	Combustion Efficiency	Thermal Efficiency				
										HP	Inches	Gal	Lbs	
488	6.9	960	840	806	731	701	---	87.0%	---	84.0%	23.8	10	109	2,860
588	9.1	1280	1108	1075	964	935	---	87.0%	---	84.0%	31.7	10	132	3,340
688	11.4	1600	1389	1344	1207	1169	---	87.0%	---	84.0%	39.7	12	155	3,820
788	13.8	1920	1681	1613	1462	1402	---	87.0%	---	84.0%	47.6	12	178	4,345
888	16.0	2240	1949	1882	1695	1636	---	87.0%	---	84.0%	55.6	14	201	4,925
988	18.2	2560	2242	2176	1950	1892	88.0%	---	85.0%	---	63.5	14	224	5,600
1088	20.5	2880	2526	2448	2196	2129	88.0%	---	85.0%	---	71.4	14	247	6,130
1188	23.0	3200	2834	2720	2464	2365	88.0%	---	85.0%	---	79.4	16	270	6,695
1288	25.0	3520	3080	2992	2678	2602	88.0%	---	85.0%	---	87.3	16	293	7,260
1388	27.5	3840	3388	3264	2946	2838	88.0%	---	85.0%	---	95.2	16	316	7,890
1488	29.5	4160	3634	3536	3160	3075	88.0%	---	85.0%	---	103.2	18	339	8,410
1588	32.0	4480	3942	3808	3428	3311	88.0%	---	85.0%	---	111.1	18	362	9,005
1688	34.5	4800	4250	4080	3696	3548	88.0%	---	85.0%	---	119.0	18	385	9,525
1788	36.5	5120	4497	4352	3910	3784	88.0%	---	85.0%	---	127.0	18	408	9,780
1888	39.0	5440	4805	4624	4178	4021	88.0%	---	85.0%	---	134.9	20	431	10,775

NOTES:
Burner input based on maximum of 2,000 feet altitude—for higher altitudes consult Weil-McLain representative.

No. 2 fuel oil commercial standard spec. CS75-56. Heat value of oil: 140,000 BTU/G.

Stack gas volume at outlet temperature

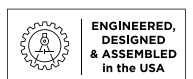
Consult Weil-McLain burner specifications sheets for gas pressures required.

Gross AHRI ratings have been determined under the AHRI provision governing forced draft boiler-burner units.

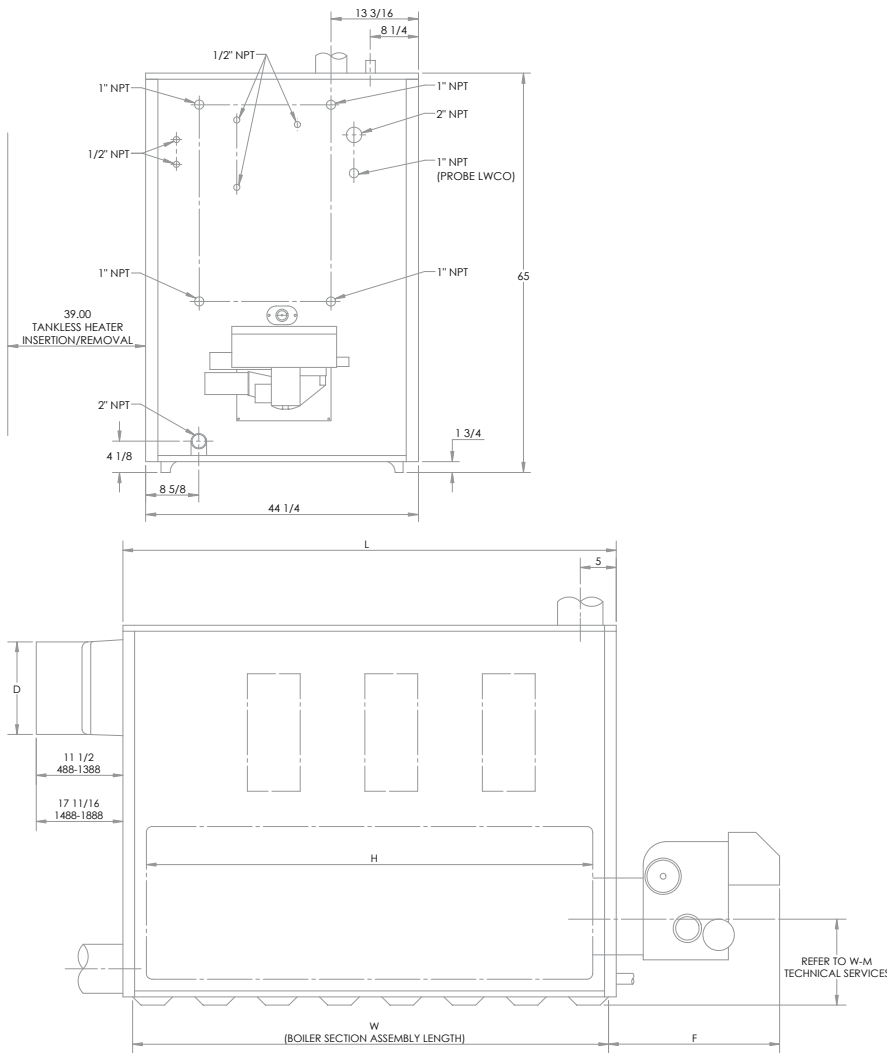
Net AHRI ratings are based on net installed radiation of sufficient quantity for the requirements of the building and nothing need be added for normal piping and pickup. Water ratings are based on a piping and pickup allowance of 1.15. Steam ratings are based on the following allowances: 488 and 588: 1.333; 688: 1.323; 788: 1.300; 888: 1.289; and 988 through 1888: 1.288. An additional allowance should be made for gravity hot water systems or for unusual piping and pickup loads. Consult Weil-McLain representative.

*Flue collar connection is oval, 16½ x 19%.

†Model Dependent



DIMENSIONS



Boiler Model	Dimensions (inches)					Supply & Return Tappings		Approximate Burner Lengths (Dimension F)			
						Supply Tappings (No. / Size)	Return Tappings (No. / Size)	Power Flame	Beckett	Webster	Riello
	Water	Water									
488	10	54 3/4	34 3/4	30	23 3/8	2 - 5"	1 - 6"	31	—	37	49
588	10	54 3/4	42 3/4	38	31 3/8	2 - 5"	1 - 6"	35	33	37	49
688	12	54 3/4	50 3/4	46	39 3/8	2 - 5"	1 - 6"	35	33	40	49
788	12	54 3/4	58 3/4	54	47 3/8	2 - 5"	1 - 6"	35	33	40	49
888	14	54 3/4	66 3/4	62	55 3/8	2 - 5"	1 - 6"	35	33	40	49
988	14	54 3/4	74 3/4	70	63 3/8	2 - 5"	1 - 6"	35	33	40	49
1088	14	54 3/4	82 3/4	78	71 3/8	2 - 5"	1 - 6"	39	33	40	64
1188	16	54 3/4	90 3/4	86	79 3/8	2 - 5"	1 - 6"	39	—	40	64
1288	16	54 3/4	98 3/4	94	87 3/8	2 - 5"	1 - 6"	39	—	40	64
1388	16	54 3/4	106 3/4	102	95 3/8	2 - 5"	1 - 6"	39	—	40	64
1488	18	54 3/4	114 3/4	110	103 3/8	2 - 5"	1 - 6"	44	—	40	64
1588	18	54 3/4	122 3/4	118	111 3/8	2 - 5"	1 - 6"	44	—	40	64
1688	18	54 3/4	130 3/4	126	119 3/8	2 - 5"	1 - 6"	44	—	48	64
1788	18	54 3/4	138 3/4	134	127 3/8	2 - 5"	1 - 6"	44	—	48	64
1888	20	54 3/4	146 3/4	142	135 3/8	2 - 5"	1 - 6"	44	—	48	64

STANDARD EQUIPMENT:

- 2023 DOE regulatory compliant
 - Up to 87% Thermal Efficiency
 - Up to 88% Combustion Efficiency
- Cast iron sections
- Water boiler heating medium
- 2023 Department of Energy compliance
- 960 - 5440 MBH performance range (4-18 sections)
 - 4-18 section models
- Power burner for gas, gas-oil, oil (except H-XX88 models)
- Burner mounting plate with refractory (except H-XX88 models)
- 30 psi, ASME relief valve
- Combustion high limit and low limit with manual reset control
- Combination pressure/temperature gauge
- Nipple and 5" x 6" reducing coupling (1288-1888 boilers)
- Integrated air eliminator
- Knock-down, assembled block or packaged configurations
- HXT-bars for optimized heat transfer
- Industrial-grade steel jacket
 - Easy-access, modular design panels with toolless entry
 - 3 inch insulation to maximize boiler efficiency
 - High temp site glass grommets
 - Part number reference on all components for intuitive assembly
- Cast iron flue collar with built-in breaching damper
- Observation ports on front and back sections
- Cleanout plates with reusable gaskets
 - 1/4" thick steel plates
 - Coated, woven fiberglass gasket material
- Flue brush
- Stainless steel vent adapter
- CAT II vent compliant design requirement

PACKAGED BOILERS:

- Factory water tested
- Lifting cables attached to block assembly
- Steel skid on bottom of boiler
- Low water cut-off

OPTIONAL EQUIPMENT:

- Factory assembled sections
- Burner mounting plate with refractory for "H" boiler configurations
- Intermediates with tankless heater opening
- Tankless heaters for domestic hot water
- Tankless heater opening cover plates
- Low water cut-offs
- Side inspection tappings with plugs (2/section)
- Dual-range manometer
- Optional burners and burner controls

LIMITED TRANSFERABLE WARRANTY:

- Residential: 10 Years Heat Exchanger; 1 Year Parts
- Commercial: 10 Years Heat Exchanger; 1 Year Parts

94 STEAM



Ideal for a Full Range of Commercial Steam Applications

Educational & College,
Municipal, Institutional

SPECIFICATIONS

Boiler Model	AHRI Burner Capacity			Gross Steam Output MBH	AHRI Burner Capacity		Boiler H.P.	AHRI Chimney Size Vent (Diam.)	Thermal Efficiency	
	Light Oil GPH	Heavy Oil GPH	Gas MBH		Steam (Sq./Ft.)	Steam MBH			Steam	
									Oil	Gas
1894	42.5	40.5	6134	4938	15974	3934	147.6	20"	82.9%	80.5%
2594	60.0	57.0	8860	6971	22552	5413	208.2	22"	83.0%	80.5%

Note: A full range of 94 Steam Series 4 (2023 DOE-compliant) models is targeted for availability in mid-year 2023.

NOTES:

Burner input based on maximum of 2,000 feet altitude—for higher altitudes consult Weil-McLain applications engineering department.

No. 2 oil—commercial standard spec. CS75-56. Heat value 140,000 BTU/G.

Consult Weil-McLain applications engineering department for gas pressure required.

Gross AHRI ratings have been determined under the AHRI provision governing forced draft boiler-burner units.

Net AHRI ratings are based on net installed radiation of sufficient quantity for the requirements of the building and nothing need be added for normal piping and pickup. Water ratings are based on a piping and pickup allowance of 1.15. Steam ratings on an allowance of 1.288.

An additional allowance should be made for gravity hot water systems or for unusual piping and pickup loads. Consult Weil-McLain applications engineering department.

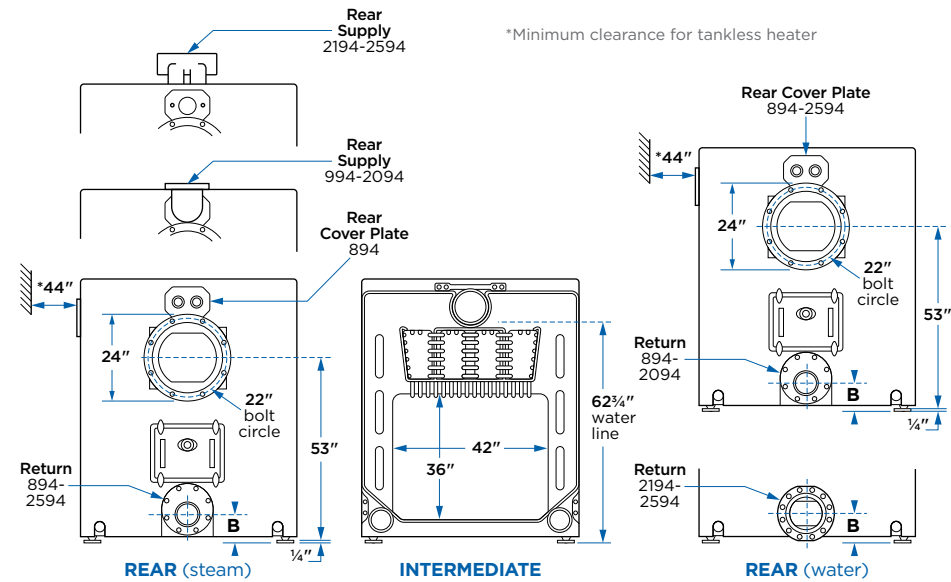
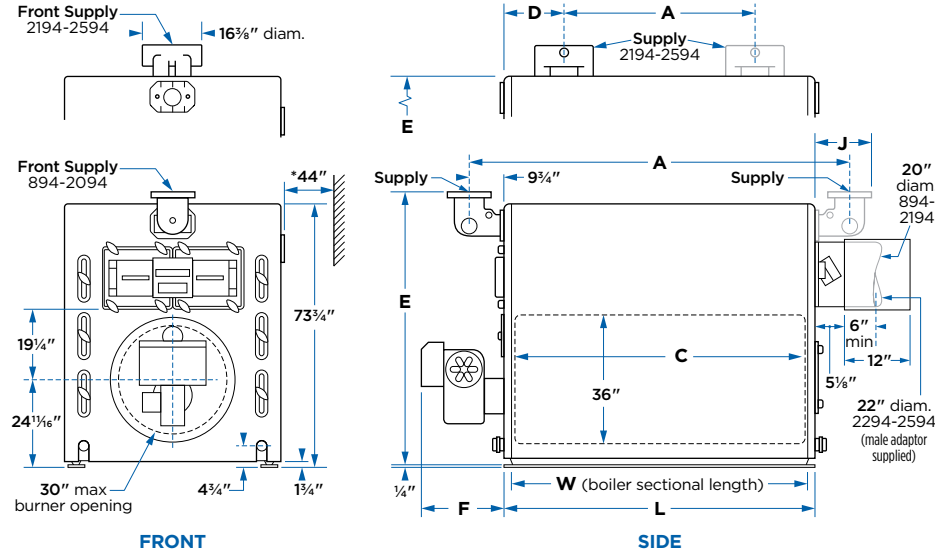
Based on average water temperature of 170°F in heat distributing units.



DIMENSIONS

Boiler Model	Steam			A	B	C	D	E	F		J	L	W
	Supply Outlet ¹		Return Inlet Size ¹						Light Oil	Gas & Gas/Oil			
	Qty.	Size											
1894	2	8"	6"	131 5/8"	71 1/8"	105"	—	76	24 1/16"	30 1/4"	16 3/8"	112 1/2"	111"
2594	2	10"	6"	96"	71 1/8"	147"	21 1/4"	82 1/2"	37 3/4"	37 3/4"	—	154 1/2"	153"

¹All 6" supply outlets are tapped. All 8" and 10" supply outlets are flanged. 6" return is tapped.



*Minimum clearance for tankless heater

STANDARD EQUIPMENT

- Insulated flush jacket
- Flue collar with built-in breaching damper
- Front cleanout doors and wing nuts
- Front cleanout plates and wing nuts
- Back access door
- Flue brushes and handles
- Two close nipples and caps for washout tappings on front section
- Supply elbow(s) or top outlet(s)
- ASME side outlet safety valve
- Low-limit and high limit pressure controls
- 4.2" steam pressure gauge
- Siphon
- Gauge glass
- Gauge cocks

OPTIONAL EQUIPMENT

- Factory assembled sections (894 only)
- Fire-tested package units
- Burner controls
- Water level controls and low water cutoffs
- Barometric damper
- 1.2" side inspection openings with plugs
- 80 PSI working pressure
- Manometer
- Tankless heater(s)
- Flame retention gas, oil, or gas/oil burner
- Burner manufacturers: Powerflame, Reillo & Webster
- Burner fire options: On-off, low-high-off, low-high-low or modulation
- Burner Fuel: natural gas, LP gas, oil, or combination burners such as: gas-oil

LIMITED TRANSFERABLE WARRANTY:

- Residential: 10 Years Heat Exchanger; 1 Year Parts
- Commercial: 10 Years Heat Exchanger; 1 Year Parts

INDIRECT-FIRED WATER HEATERS AND CONTROLS



Aqua Plus®
Indirect-Fired Stainless Steel
Water Heaters



Aqua Pro®
Indirect-Fired Non-Metallic/Composite
Water Heaters



BCP, BMC, and BSC
Boiler Control Panels

INDIRECT-FIRED WATER HEATERS

Aqua Plus

- 316L stainless steel tank
- High output heat exchanger
- Advanced digital control

**FEATURES:**

- Temperature and pressure relief valve standard equipment
- 316L stainless steel tank welded with "tig and plasma" technology
 - Higher tolerance against corrosion vs. carbon steel tanks
 - 100% air pressure/water testing of tank and coil
- High output over 1" diameter 316L stainless steel heat exchanger
 - Superior 1st hour rating and recovery
 - Large diameter heat exchanger allows for low pressure drop
- All connections including boiler supply and return, and domestic water are on the side of the tank
 - All connections come with plastic grommets for cleaner inspection of tappings
- Exceptional "R" value with two inches of dense foam insulation
 - CFC-free and environmentally safe
 - Low off cycle losses
- Adjustable leveling legs for uneven floors
- Drain tapping and valve included
- Digital controller ensures precise accuracy for optimal performance
- Control probe already installed for quick and easy wiring
- Fully passivated to protect against corrosive water conditions
- Family of products with five different sizes to choose from
 - Available in sizes: 35, 45, 55, 85, 105



**Now with a Residential Limited
Lifetime Warranty**

SPECIFICATIONS

RATINGS (WITH 50°F DOMESTIC WATER INLET AND STATED OTHER CONDITIONS)									
Aqua Plus® Model	200°F Boiler Water			190°F Boiler Water			180°F Boiler Water		
	Boiler Out MBH	115°F DHW GPH	140°F DHW GPH	Boiler Out MBH	115°F DHW GPH	140°F DHW GPH	Boiler Out MBH	115°F DHW GPH	140°F DHW GPH
35	170	337	223	170	311	202	150	284	181
45	190	363	243	170	335	222	150	307	200
55	210	443	302	190	411	278	190	378	252
85	300	551	374	250	511	343	250	470	310
105	350	715	483	350	662	442	300	608	400

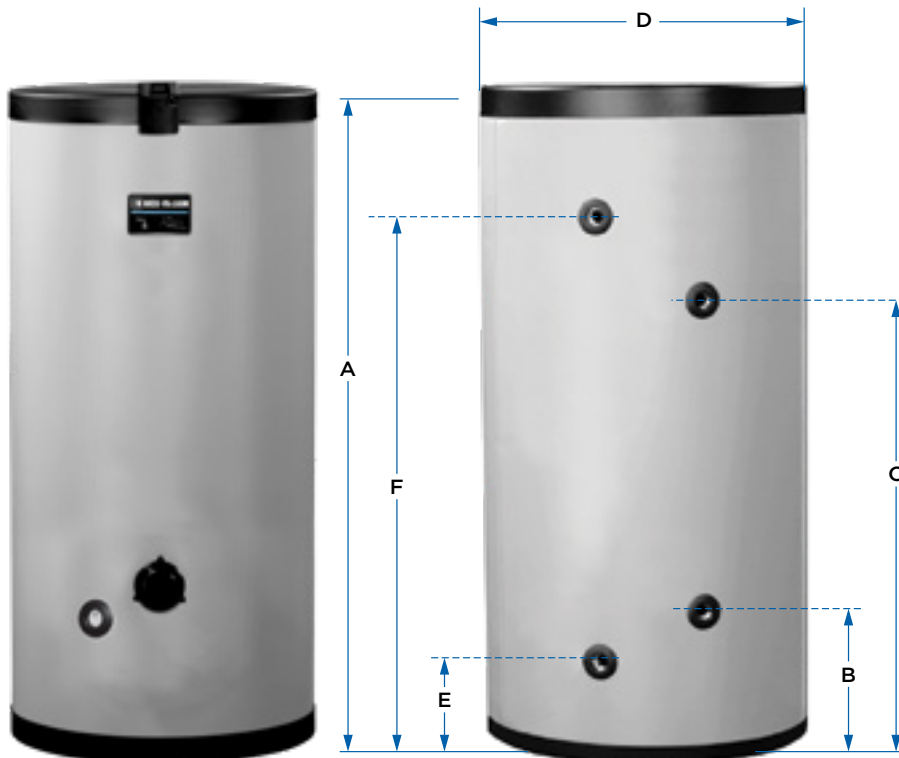
DATA

	35	45	55	85	105
DHW Side Storage (gal.)	29.7	39.9	54.1	81.6	110.9
Boiler Side Storage (gal.)	1.7	1.9	2.2	2.7	3.9
Recommended Flow Rates (GPM)	8	8	8	14	14
Head Loss-Boiler Side (ft.)	1.6	1.6	1.6	5.4	7.1
Working Pressure (Tank) (psi)	150 (maximum)				
Working Pressure (Coil) (psi)	145 (maximum)				
DHW Operating Temp (°F)	50°F-160°F, Adjustable to 180°F				
Approx. Shipping Weight (lbs)	94	111	122	223	238

DIMENSIONS

Dimensions (inches)	35	45	55	85	105
A	36 ³ / ₈	46 ¹ / ₄	60	59 ¹ / ₂	59 ³ / ₄
B	7 ⁷ / ₈	7 ⁷ / ₈	7 ⁷ / ₈	10 ³ / ₈	14 ¹ / ₄
C	24	26	29 ⁷ / ₈	33 ¹ / ₄	41 ³ / ₈
D	21 ⁷ / ₈	21 ⁷ / ₈	21 ⁷ / ₈	26	30
E	7 ⁷ / ₈	7 ⁷ / ₈	7 ⁷ / ₈	8 ⁷ / ₈	9 ⁷ / ₈
F	28	37 ⁷ / ₈	51 ³ / ₈	50 ³ / ₈	48 ³ / ₈
DHW In/Out	¾ in NPT			1 in NPT	
Boiler Water In/Out	1 in NPT			1 in NPT*	

*1 ¼ piping required



STANDARD EQUIPMENT:

- 316L welded stainless steel tank
- 316L stainless steel coil over one inch in diameter
- 2" thick CFC-free foam insulation
- 150 PSI T&P relief valve included
- Digital control residential/commercial capable
- Poly resin top and bottom caps
- Leveling legs
- Drain tapping and valve

LIMITED WARRANTY:

- Residential: Lifetime; 2 Years Parts
- Commercial: 7 Years Tank; 1 Year Parts

LOW LEAD CONTENT

In the interest of continual improvements in product and performance, Weil-McLain reserves the right to change specifications without notice.

INDIRECT-FIRED WATER HEATERS

Aqua Pro



The non-metallic Aqua Pro is the right choice to stand up to corrosion.

The Aqua Pro composite tank construction is ideal for all types of water conditions — especially the harshest environments. Check out these additional design features:

- Lightweight, easily maneuvered non-metallic tank
- Available in four sizes: 30, 55, 80, and 119 gallons
- No anode to check, no annual maintenance
- Convenient top connections
- Seamless tank construction, no welds
- Digital temperature control
- Removable copper finned high-output coil
- Durable brass drain valve
- Low heat loss, 2" foam insulation

**Optional Residential Limited
Lifetime Warranty Available**

Leverage the power and efficiency of your boiler for domestic hot water with the new Aqua Pro indirect-fired water heater. Flexible to fit a broad range of applications, it's designed to install easily into any system.



Aqua Pro Specs				
AHRI CERTIFIED™	30 Gallon	55 Gallon	80 Gallon	119 Gallon
Ratings				
1 st Hour Rating (GPH)	199	217	381	477
Continuous Draw Rating (GPH)	177	177	315	381
Standby Heat Loss (F/HR)	.8	.6	.4	.4
Minimum Heat Output Rate (MBH)	115	115	199	244
Dimensions				
Height to Fitting (in)	40 ½"	41"	53 ½"	74"
Overall Diameter (in)	22 ¾"	28"	28"	28"
Inner Tank Diameter (in)	18"	24"	24"	24"
Approx. Shipping Weight (lbs)	70	95	125	155
Pipe Sizes (MNPT) — All Top Connections	¾"	¾"	DHW 1 ½" Boiler 1"	DHW 1 ½" Boiler 1"

Limited Warranty:

Residential: 12 Years Tank; 2 Years Parts
 Commercial: 10 Years Tank; 1 Year Parts

**BCP-3:**

- User friendly alpha-numeric display
- Includes DHW pump relay output

BCP-8 (WATER OR STEAM):

- User friendly alpha-numeric display
- Addition of extension modules allows for up to 24 stages

BMC (WATER ONLY):

- Controls up to four modulation water boilers
- Alpha-numeric display makes it easy to use
- Outdoor reset capability

BSC (WATER AND STEAM):

- Controls up to four modulation water or steam boilers
- BACnet capability

SPECIFICATIONS

		STAGING CONTROLS				MODULATION CONTROLS				
Product		BCP-3	BCP-8W	BCP-8S	BCP-8X Staging Extension Module	BMC	BMC-6X BMS	BSC	BSCNET	BSC Modulation Extension Module
Stages Available	Stand Alone Control Max Number Stages	3	8	8	8	4	6	4	4	8
	Accepts Extension Module	No	Yes	Yes	N/A	Yes	N/A	Yes	Yes	N/A
	Number Extension Modules Capable for Each Control	N/A	2	2	N/A	2	N/A	2	2	N/A
Boiler/Burner Control Outputs	Staging Burners	■	■	■	■					
	135 ohm Modulation Burners (Optional)							■	■	■
	Current Voltage Modulation Burners					■	■	■	■	■
System Control	Set Point Water	■	■		N/A	■	N/A	■	■	N/A
	Hot Water Rest	■	■		N/A	■	N/A	■	■	N/A
	Set Point Steam			■	N/A		N/A	■	■	N/A
Sensors Included	Outdoor Sensor	■	■	■	N/A	■	N/A			
	Heating System Sensor	■	■	■	N/A	■	N/A			
	Sensors Purchased Separately				N/A			■	■	N/A
Remote Communication Choices Included	Enable/Disable or TSTAT	■	■	■	N/A	■	N/A	■	■	N/A
	4-20 Remote Set Point Input				N/A		N/A	■	■	N/A
	BACnet Communications				N/A		N/A	■	■	N/A
Remote Communication Optional Accessories	4-20 Remote Set Point Input (420 MOD Module)		■	■	N/A	■	N/A			N/A
	Outdoor Cut Off	■	■	■	N/A	■	N/A	■	■	N/A
	Reset Ratio	■	■		N/A	■	N/A	■		N/A
	Offset	■	■		N/A	■	N/A	■		N/A
	Purge Delay	■	■	■	N/A	■	N/A	■	■	N/A
	Min. System Temperature	■	■		N/A	■	N/A	■		N/A
	Max. System Temperature	■	■		N/A	■	N/A	■		N/A
	Last Stage Hold	■	■	■	N/A	■	N/A	■	■	N/A
	Minimum Run Time	■	■	■	N/A	■	N/A	■	■	N/A
	Adjustable Lead Stage Rotation	■	■	■	N/A	■	N/A	■	■	N/A
	System Pump/Relay Run On	■	■	■	N/A	■	N/A	■	■	N/A
	DHW Priority	■	■	■	N/A	■	N/A	■	■	N/A
	DHW Pump Relay Output	■*	■	■	N/A	■*	N/A	■	■	N/A
	Optional DHW Temperature Sensor Input		■	■	N/A		N/A	■	■	N/A
	Integral Night Setback		■	■	N/A		N/A	■	■	N/A
	Boost				N/A		N/A			N/A
	External Night Setback Input	■	■	■	N/A	■	N/A	■	■	N/A
Staging Boiler Specific Software Option	Multi. Stage Options (On/Off, Lo/Hi, 3 Stage, 4 Stage)		■	■	N/A		N/A	■	■	N/A
	Lo-Lo/Lo-Hi Options		■	■	N/A		N/A	■	■	N/A
	OSS Software (Assists If Staging Boilers Are Oversized)		■	■	N/A		N/A	■	■	N/A
Modulation Boiler Specific Software Options	Adj. Ignition Start Point				N/A		N/A			N/A
	Adj. Modulation Start Point				N/A		N/A			N/A
	Parallel Modulation Option				N/A		N/A			N/A
	Process Software Option				N/A		N/A			N/A
	Boiler Lockout Inputs				N/A		N/A			N/A

*Only on single boiler mode

STANDARD EQUIPMENT:

BCP-3

- User-friendly alpha-numeric display
- Includes DHW pump relay output and priority
- Outdoor and heating system sensors
- Maximum and minimum system temperature
- External night setback input
- Reset ratio
- Adjustable lead stage rotation

BCP-8

- Available for water (BCP-8W) or steam (BCP-8S)
- Addition of extension modules (BCP-8X) allows for up to 24 stages
- Outdoor and heating system sensors
- Outdoor cut off
- Purge delay
- DHW pump relay output and optional temp sensor input
- Integral night setback and external night setback input

BMC (WATER ONLY)

- Controls up to four modulating water boilers
- Alpha-numeric display makes it easy to use
- Outdoor reset capability
- Modulation extension module available (BMC-6X BMS)
- Current voltage modulation burner control outputs
- Adjustable lead stage rotation
- Adjustable ignition start point
- Adjustable modulation start point
- Parallel modulation option

BSC (WATER AND STEAM)

- Controls up to four modulating water or steam boilers
- BACnet capability
- Extension modules (BSC Modulation Extension module) for up to an additional 16 stages
- 4-20 Remote set point input
- Process software option
- Boiler lockout inputs
- See spec sheet for a complete list of features



Contractors report up to a 50% increase in sales¹ with financing offers from the GreenSky[®] Loan Program²

Weil-McLain has teamed up with the GreenSky[®] Loan Program, a leader in home improvement financing, to help you close more sales and grow your business. Thousands of U.S. contractors trust GreenSky to increase their customers' buying power and get paid faster.

Work can be performed anywhere³

Customers can finance projects wherever they need work to be done.

- *Primary Residence*
- *Rental Property*
- *Vacation Home*
- *Anywhere Else!*

Apply Now to Get Started Today

greensky.com/sponsor/weilmclain

844.227.9555

Use Sponsor Number: 750

CLOSE MORE SALES



- Deferred Interest plans⁴
- Credit limits up to \$55,000⁵
- High approval rates⁵

GET PAID FASTER⁶



- Immediate funding upon authorization
- No paperwork, completion certificates or sales contracts required

DELIGHT YOUR CUSTOMERS



- Paperless application process⁶
- Decisions in seconds
- GPS-enabled mobile app

¹Based on GreenSky[®] Program internal analytics. ²GreenSky[®] is a loan program name for certain consumer credit plans extended by participating lenders to borrowers for the purchase of goods and/or services from participating merchants/providers. Participating lenders are federally insured, federal and state chartered financial institutions providing credit without regard to age, race, color, religion, national origin, gender or familial status. GreenSky[®] is a registered trademark of GreenSky, LLC. GreenSky, LLC and its wholly-owned subsidiaries service the loans on behalf of participating lenders. ³Loans are for personal, family, and household use. ⁴Subject to credit approval. Interest is billed during the promotional period but all interest is waived if the entire loan amount is paid in full before the end of the promotional period. ⁵Fixed APR during the life of the loan. Subject to credit approval. ⁶See Operating Instructions at greensky.com/merchantagreement. GreenSky NMLS #1416362

Heat up Your Sales With Weil-McLain Financial Services



Weil-McLain Financial Services powered by LEAF helps close more commercial heating project sales, increase average ticket size and boost profits. Here's how to offer Weil-McLain Financial Services powered by LEAF to your customers and what to expect throughout the quick and easy financing process.

Finance Commercial Heating Projects in Four Easy Steps ↓



For any questions, contact us today. ↓

www.leafnow.com/weil-mclain

LEAF Commercial Capital, Inc. is a subsidiary of People's United Bank, N.A.

Terms and Conditions: LEAF finances equipment only for business purposes and not for personal, family or household use. All applications are subject to credit approval. Void where prohibited.

Warranty Submission Process



When a potential Warranty Claim arises please call the Warranty Call Center

It's as Easy as 1-2-3...

- 1) Please have the following information ready:
 - CP# (serial number of unit)
 - Model name/number
 - Installation date
 - Homeowner: name, address, phone number
 - Explanation of defect and part to be replaced
 - Photo(s) of defect and other information may be required
- 2) Contact Weil-McLain Support Services at 800-654-2109.
- 3) Upon approval of claim, return the defective part(s) to your local Weil-McLain distributor for a new unit/part or credit.

WM Support Services
800-654-2109

The warranty procedure helps expedite claims and reduce the processing time. The homeowner or building owner can be satisfied in a prompt efficient manner.

For any technical support or troubleshooting questions, please contact Weil-McLain Support Services at 800-654-2109.

Please contact your local Weil-McLain Distributor or Weil-McLain Warranty Call Center with any questions regarding this procedure.

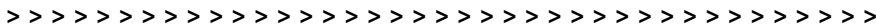
If you do not know your Weil-McLain Distributor, the Warranty Specialist will help recommend one. This procedure will not apply to CornerStone United claims. CornerStone United claims should still be directed to 1-800-824-5090.



TECH SUPPORT IN THE PALM OF YOUR HAND



with the Weil-McLain PROTOOLS™ Tech App



PROTOOLS™ APP PUTS YOU IN CONTROL

TROUBLESHOOT BY FAULT CONDITION

Takes you straight to the proper manual page

FIND PARTS QUICKLY

Parts search by model with illustrations

**KEY FEATURE
IN ACTION**

Troubleshooting
CGI boiler by
fault condition



RETRIEVE A WARRANTY STATEMENT

Look-up by scanning CP# on boiler or tank

CONNECT TO TECH SUPPORT

Phone, email, chat and video call

ACCESS TECHNICAL INFO

Quickly view product manuals, wiring diagrams, maintenance, annual start-up & product brochures

VIEW PRODUCT VIDEOS

Look up videos by boiler model

PROTECT YOUR CUSTOMER'S INVESTMENT

Scan CP# and register boiler in seconds

Contractors trust Weil-McLain to support the performance, productivity and profitability of their business. The Weil-McLain PROTOOLS™ App helps enhance the contractor's hydronic expertise and expedite technician's customer visits, to provide the homeowners with a premium and best in class experience.

WEIL-McLAIN PROTOOLS™ — GET STRAIGHT TO THE ANSWER.

SCAN THE QR CODE AND DOWNLOAD PROTOOLS™ TODAY!



Condensing Gas Boilers



EVERGREEN® PRO
Water
Natural or Propane Gas
Direct Exhaust or Direct Vent
Floor Standing or Wall Mount
110-399 MBH
Up to 95.1% AFUE*



ULTRA™
Water
Natural or Propane Gas
Direct Exhaust or Direct Vent
Floor Standing or Wall Mount
80-399 MBH
Up to 94.1% AFUE*



ECO® TEC
Water, Combi and Heat Only
Natural or Propane Gas
Direct Exhaust or Direct Vent
Wall Mount or Optional Stand
80-199 MBH
95% AFUE



AQUABALANCE®
Water, Combi and Heat Only
Natural or Propane Gas
Direct Exhaust or Direct Vent
Wall Mount or Optional Stand
80-155 MBH
95% AFUE



GV90+®
Water
Natural or Propane Gas
Direct Exhaust or Direct Vent
70-175 MBH
Up to 91.9% AFUE*



SVF™ 1500-3000
Water
Natural Gas or Propane
1500-3000 MBH
Up to 96.8% Thermal Efficiency*



SLIMFIT® 550-750
Water
Natural Gas or Propane
550-750 MBH
Up to 93.9% Thermal Efficiency*



SLIMFIT® 1000-2000
Water
Natural Gas or Propane
1000-2000 MBH
Up to 93.9% Thermal Efficiency*



Cast Iron Boilers



CGa
Water
Natural or Propane Gas
Atmospheric / Natural
Draft
38-233 MBH
84% AFUE



ULTRA OIL™
Water
Natural or Propane Gas
Chimney or Direct Vent
98-172 MBH
87% AFUE



WTGO
Water
With Tankless Heater
Oil
Chimney Vent
98-280 MBH
Up to 87% AFUE*



LGB
Water or Steam
Gas
350-2470 MBH
Up to 84% Thermal Efficiency*



88 WATER
Water
Gas, Oil, or Oil and Gas
960-5440 MBH
Up to 88% Combustion Efficiency*



88 STEAM
Steam
Gas, Oil, or Gas-Oil
996-5845 MBH
Up to 85.7% Thermal Efficiency*



94 STEAM
Water or Steam
Gas, Oil, or Oil and Gas
2540-8660 MBH
Up to 86.4% Thermal Efficiency*

CGi
Water
Natural or Propane Gas
Induced Draft
48-222 MBH
84% AFUE

EG
Water or Steam
Natural Gas
Natural Draft
75-282 MBH
84% AFUE - Water
82% AFUE - Steam

WGO
Water
Without Tankless Heater
Oil
Chimney Vent
98-280 MBH
Up to 87% AFUE*



SGO
Steam
With Tankless Heater Option
Oil
Chimney Vent
133-280 MBH
Up to 85% AFUE*

Indirect-Fired Water Heaters and Accessories



AQUA PLUS®
Stainless Steel
5 Tank Sizes: 35-105 gal.



AQUA PRO®
Non-Metallic/Composite Tank
4 Tank Sizes: 30-119 gal.



SYSTEM CONTROLS
BCP, BMC, and BSC
Boiler Control Panels

*Model Dependent

*See product page for ENERGY STAR® qualifications

Contact your local Weil-McLain Sales Office for more information

New England
250 Richmond St.
Raynham, MA 02767
T: 508.822.3939
F: 508.822.0553

Central and Western
999 McClintock Dr. - Suite 200
Burr Ridge, IL 60527
T: 630.560.3738
F: 855.248.2777
Toll Free: 800.854.5482

Administrative Office
999 McClintock Dr. - Suite 200
Burr Ridge, IL 60527
T: 630.560.3700
F: 630.560.3769