



SERVICE PARTS CATALOG

Issued June, 2019

Value \$ **15**  
of

For a table of contents, please click on either  
Current Parts or Discontinued Parts

# CURRENT PARTS

Pages 4 - 265

# DISCONTINUED PARTS

Pages 266 - 416

For trade price schedule, wiring diagrams, boiler manuals or appropriate control supplement, please go to [Weil-McLain.com](http://Weil-McLain.com)

# CURRENT PARTS

## Table Of Contents

### Gas Boilers

|  |     |
|--|-----|
| SVF.....                                       | 4   |
| AquaBalance Series 1-2.....                    | 12  |
| Evergreen .....                                | 30  |
| WM97+CT/ WM97 Series 2.....                    | 54  |
| ECO / ECO Series 2.....                        | 74  |
| Ultra Series 3, 3UE, 3CT.....                  | 92  |
| Ultra Series 4.....                            | 104 |
| GV 90+ Series 1-2 .....                        | 116 |
| CGt Series 1-2.....                            | 128 |
| CGi Series 2-3.....                            | 134 |
| CGa Series 1-2.....                            | 146 |
| EG Series 1-5 .....                            | 160 |
| EGH Series 1-5.....                            | 169 |
| SlimFit Series 1, 2 & 3 - 550/750 .....        | 178 |
| SlimFit/SlimFit Series 2 - 1000/1500/2000..... | 186 |
| LGB Series 2.....                              | 200 |

### Oil Boilers

|                              |     |
|------------------------------|-----|
| Ultra Oil Series 1-3.....    | 226 |
| WGO and WTGO Series 1-3..... | 232 |
| SGO Series 1-3.....          | 238 |
| GOLD Oil Jackets.....        | 242 |

### Gas/Oil Boilers

|         |     |
|---------|-----|
| 80..... | 244 |
| 88..... | 248 |
| 94..... | 252 |

### Additional Products

|                                     |     |
|-------------------------------------|-----|
| Aqua Plus / Aqua Plus Series-2..... | 258 |
| AquaLogic.....                      | 262 |
| Aqua Pro.....                       | 264 |

For trade prices, see current service parts TPS (Trade Price Schedule)

For wiring diagrams, see boiler manual or appropriate control supplement.  
 Future updates to the 2019 Parts Catalog are available at [www.weil-mclain.com](http://www.weil-mclain.com)

# DISCONTINUED PARTS

## Table Of Contents

### Gas Boilers

|                         |     |
|-------------------------|-----|
| GV Series 1-2 .....     | 266 |
| GV Series 3-4 .....     | 274 |
| CG/CGm Series 1-12..... | 282 |
| CGs Series 1.....       | 296 |
| CGx Series 1-2.....     | 304 |
| CGi Series 1 .....      | 308 |
| Ultra Series 1-2 .....  | 316 |
| HE, HEII & VHE.....     | 326 |
| EG Series 1-4 .....     | 336 |
| EGH Series 1-4.....     | 346 |
| AHE Series 1-4.....     | 356 |
| LGB Series 1 .....      | 366 |
| PFG Series 1-7.....     | 382 |

### Oil Boilers

|         |     |
|---------|-----|
| 68..... | 390 |
| 76..... | 395 |

### Gas/Oil Boilers

|         |     |
|---------|-----|
| 78..... | 398 |
|---------|-----|

### Electric Boilers

|                   |     |
|-------------------|-----|
| CE, CER, PER..... | 402 |
|-------------------|-----|

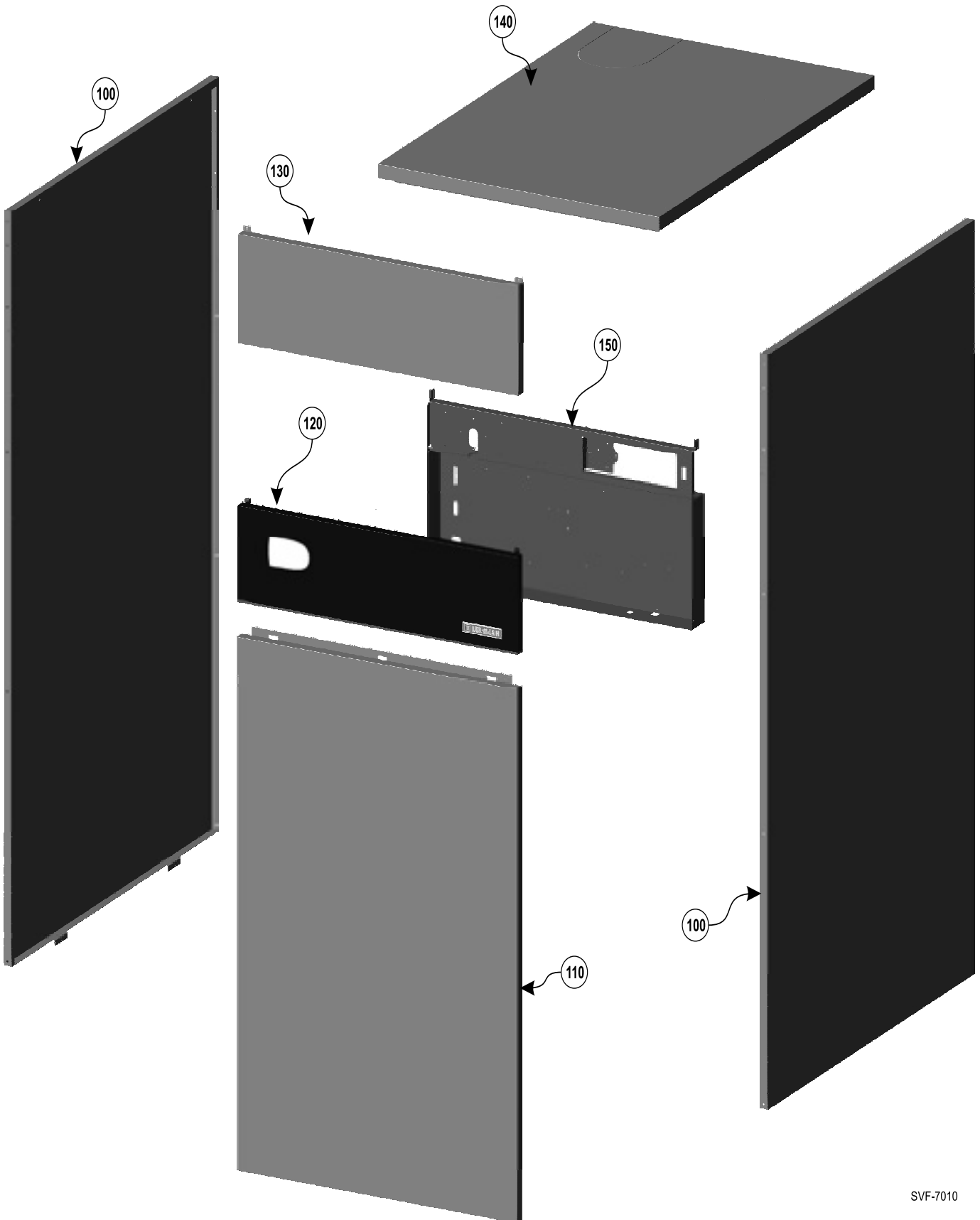
### Additional Products

|                               |     |
|-------------------------------|-----|
| Gold Plus and Ultra Plus..... | 407 |
| Plus Commercial.....          | 408 |
| EMCS/BCP Boiler Controls..... | 409 |

### Miscellaneous Information

|  |     |
|--|-----|
| Manufacturing Dates - Gas Boilers.....       | 410 |
| Manufacturing Dates - Round Boilers .....    | 412 |
| Manufacturing Dates - Oil Boilers.....       | 414 |
| Manufacturing Dates - Misc.....              | 415 |
| Burner Manufacturer Contact Information..... | 416 |

SVF - 750 - 1000 - 1100  
Jacket Parts

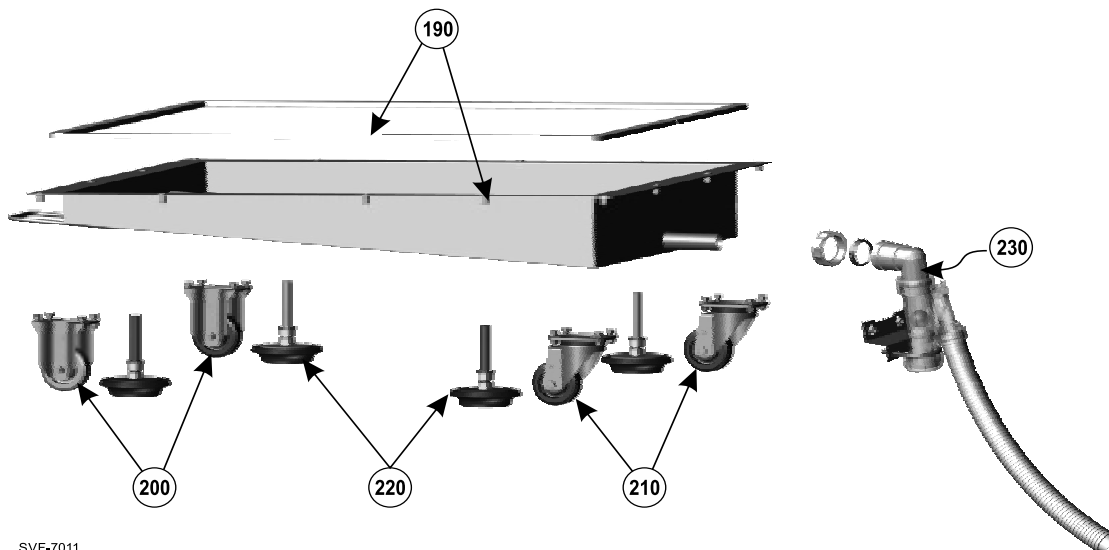
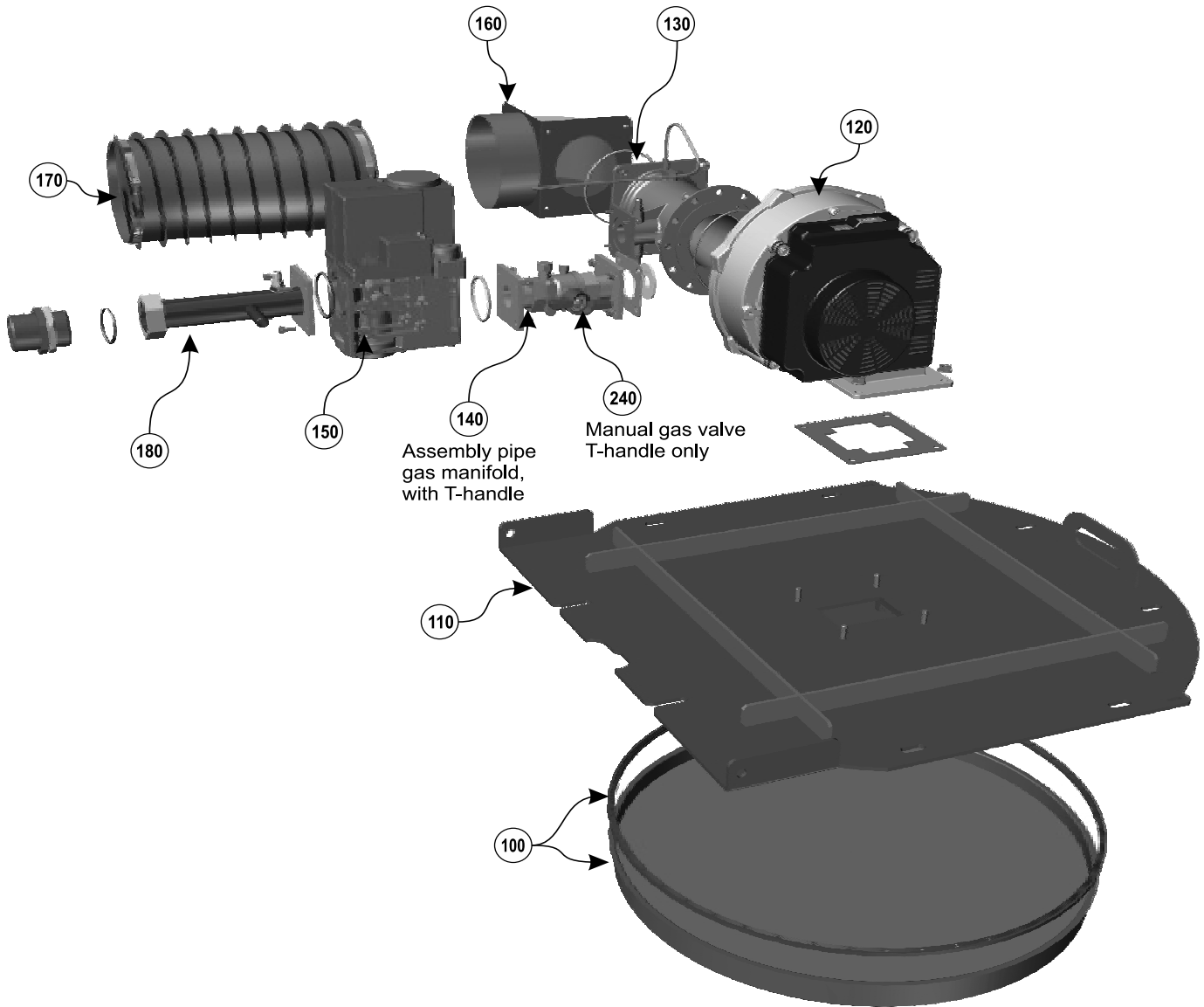


SVF-7010

## SVF - 750 - 1000 -1100 Jacket Parts

| Item | Part Number | Description/Contents                                       |
|------|-------------|--|
| 100  | 384-000-129 | Jacket Side - Includes Hardware - For SVF 750              |
|      | 384-000-130 | Jacket Side - Includes Hardware - For SVF 1000/1100        |
| 110  | 384-000-131 | Jacket Lower Front - Includes Hardware - For SVF 750       |
|      | 384-000-132 | Jacket Lower Front - Includes Hardware - For SVF 1000/1100 |
| 120  | 384-000-133 | Jacket Front Control - Includes Hardware - For SVF 750     |
|      | 384-000-156 | Jacket Front Control - Includes Hardware - For SVF 1000    |
|      | 384-000-134 | Jacket Front Control - Includes Hardware - For SVF 1100    |
| 130  | 384-000-135 | Jacket Upper Front - Includes Hardware - For SVF 750       |
|      | 384-000-136 | Jacket Upper Front - Includes Hardware - For SVF 1000/1100 |
| 140  | 384-000-137 | Jacket Top - Includes Hardware - For SVF 750               |
|      | 384-000-138 | Jacket Top - Includes Hardware - For SVF 1000/1100         |
| 150  | 384-000-139 | Control Tray Panel - Includes Hardware - For SVF 750       |
|      | 384-000-140 | Control Tray Panel - Includes Hardware - For SVF 1000/1100 |
| N/S  | 384-000-141 | Touch Up Paint - Slate - For SVF 750/1000/1100             |

SVF - 750 - 1000 -1100  
Burner, Blower, Cover Plate, Venturi, Gas Train, And Miscellaneous Parts



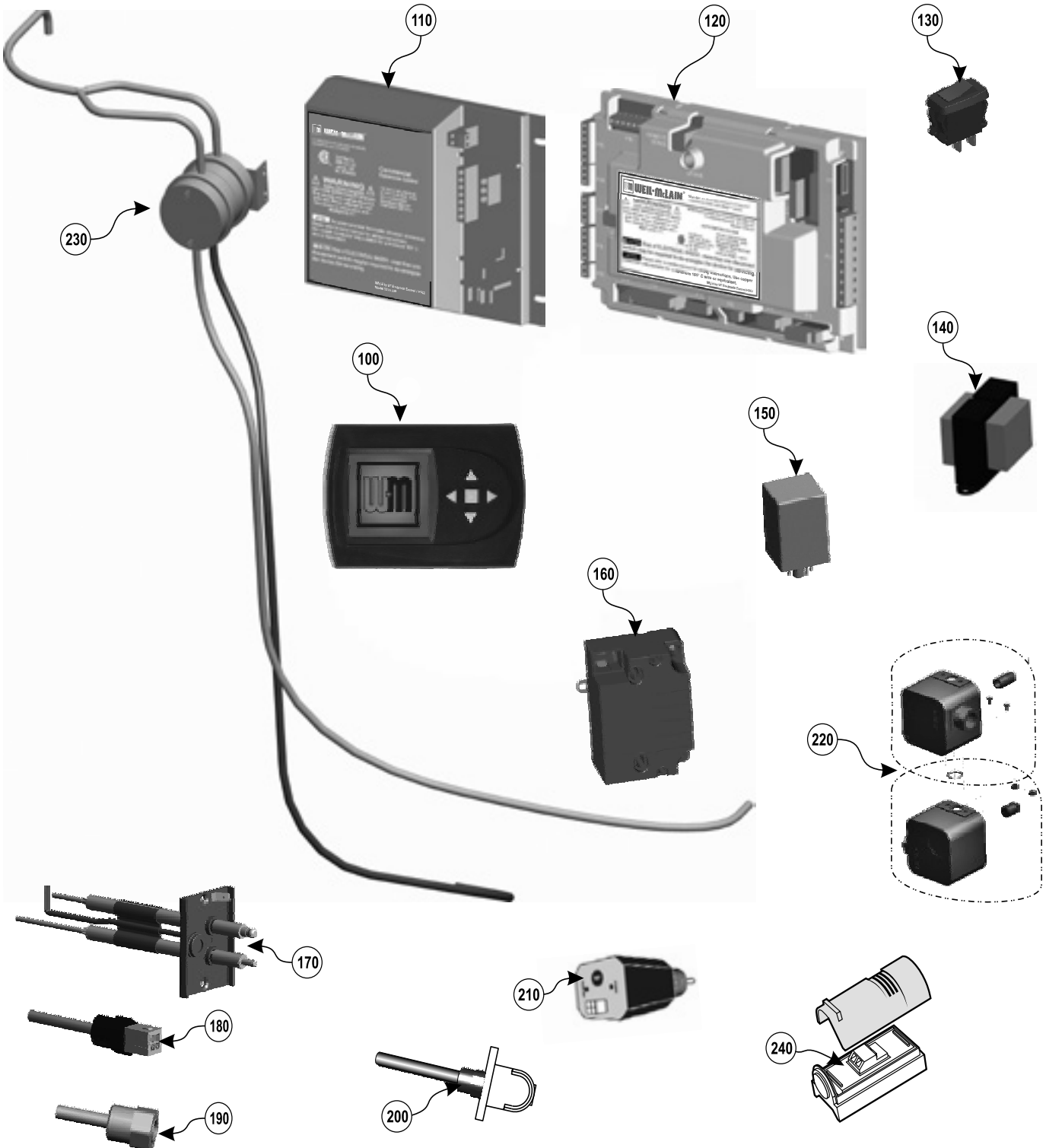
SVF-7011

GAS

**SVF - 750 - 1000 -1100**  
**Burner, Blower, Cover Plate, Venturi, Gas Train, And Miscellaneous Parts**

| Item | Part Number | Description/Contents   |
|------|-------------|--|
| 100  | 384-000-107 | Burner Service Kit - Includes (Pre-Mix Fiber Mesh And Instructions) - For SVF 750                    |
|      | 384-000-108 | Burner Service Kit - Includes (Pre-Mix Fiber Mesh And Instructions) - For SVF 1000/1100              |
| 110  | 384-000-109 | Burner Cover Plate Service Kit - Includes (Hardware And Instructions) - For SVF 750                  |
|      | 384-000-110 | Burner Cover Plate Service Kit - Includes (Hardware And Instructions) For SVF 1000/1100              |
| 120  | 384-000-111 | Modulating Premix Blower Service Kit - Includes (Blower, Gasket, And Instructions) For SVF 750       |
|      | 384-000-112 | Modulating Premix Blower Service Kit - Includes (Blower, Gasket, And Instructions) For SVF 1000/1100 |
| 130  | 384-000-113 | Venturi Service Kit - Includes (Hardware, Gaskets, And Instructions) - For SVF 750                   |
|      | 384-00-114  | Venturi Service Kit - Includes (Hardware, Gaskets, And Instructions) - For SVF 1000/1100             |
| 140  | 384-000-115 | Gas Pipe Manifold Assembly Service Kit With T Handle For All SVF                                     |
| 150  | 384-000-116 | Gas Valve Service Kit - Includes (Hardware And Instructions) - For SVF 750                           |
|      | 384-000-117 | Gas Valve Service Kit - Includes ( Hardware And Instructions) - For SVF 1000/1100                    |
| 160  | 384-000-118 | Inlet Air Elbow Service Kit - Includes (Hardware And Instructions) - For All SVF                     |
| 170  | 384-000-119 | Inlet Air Hose Service Kit - Includes (Hardware A d Instructions) - For All SVF                      |
| 180  | 384-000-120 | Gas Pipe Assembly Service Kit -Includes (Hardware And Instructions) - For SVF 750                    |
|      | 384-000-121 | Gas Pipe Assembly Service Kit - Includes (Hardware And Instructions) For SVF 1000/1100               |
| 190  | 384-000-123 | Condensate Dish With Gasket - For SVF 750  |
|      | 384-000-124 | Condensate Dish With Gasket - For SVF 1000/1100  |
| 200  | 384-00-125  | Non- Swivel Caster Kit With Hardware - For All SVF   |
| 210  | 384-000-126 | Swivel Caster Kit With Hardware - For All SVF  |
| 220  | 384-000-127 | Leg Leveling Kit With Adapter - For All SVF  |
| 230  | 384-000-128 | Condensate Trap Assembly - For All SVF   |
| 240  | 383-600-244 | Manual Gas Valve T Handle - For All SVF  |

# SVF - 750 - 1000 -1100 Control Parts



GAS



## SVF - 750 - 1000 -1100 Control Parts

| Item | Part Number | Description/Contents   |
|------|-------------|--|
| 100  | 384-000-155 | Display Housing With LCD   |
| 110  | 383-600-160 | Expansion Module - (120 Volt)  |
| 120  | 384-000-154 | Control Module Kit With Hardware   |
| 130  | 511-624-645 | Boiler On/Off Switch   |
| 140  | 383-500-628 | Control Transformer 120/24 VAC   |
| 150  | 570-350-231 | Blower Relay Without Socket  |
| 160  | 511-802-626 | Ignition Transformer   |
| 170  | 384-000-103 | Ignitor/Flame Sense Rod Kit - Includes (Ignitor, Flame Sense, Gasket, Hardware, And Ground Harness)              |
| 180  | 384-000-100 | Temperature Sensor - Flue And Water  |
| 190  | 384-000-101 | Temperature Sensor Well  |
| 200  | 511-724-299 | System Temperature Sensor, ½" N.P.T. 4" Well   |
| 210  | 383-600-511 | Low Water Cut Off  |
| 220  | 383-600-510 | Gas Pressure Switch Kit - Includes (High/Low Pressure Switches, Hardware, And Sealant)                           |
| 230  | 384-000-104 | Pressure Switch Kit - Includes ( Pressure Switch,Minimum Air Flow Switch, Hoses, And Hardware) For SVF 750       |
|      | 384-000-105 | Pressure Switch Kit - Includes ( Pressure Switch,Minimum Air Flow Switch, Hoses, And Hardware) For SVF 1000/1100 |
| 240  | 510-312-218 | Outdoor Temperature Sensor   |
| N/S  | 591-391-961 | Wiring Harness - Control To Expansion Module   |
|      | 591-392-040 | Wiring Harness - Expansion Module To Display   |
|      | 591-392-067 | Wiring Harness - Main Front  |
|      | 591-392-068 | Wiring Harness - Blower Front  |
|      | 591-392-069 | Wiring Harness - Auxiliary Front   |
|      | 591-392-070 | Wiring Harness - Communication Front   |
|      | 591-392-071 | Wiring Harness - Low Voltage Front A   |
|      | 591-392-072 | Wiring Harness - Low Voltage Front B   |
|      | 591-392-073 | Wiring Harness - Ignition Module   |
|      | 591-392-074 | Wiring Harness - Flame Sensor  |
|      | 591-392-075 | Wiring Harness - Low Voltage Rear  |
|      | 591-392-076 | Wiring Harness - High Voltage Rear   |
|      | 591-392-078 | Wiring Harness - Low Voltage Terminal  |
|      | 591-392-080 | Wiring Harness - Main Terminal   |
|      | 383-500-603 | 3 Amp Fuse - Fast Blow ATO - ( 5 Fuses)  |
|      | 383-500-604 | 12 Amp Fuse - 250 Volt - Fast Blow AG - (5 Fuses)  |

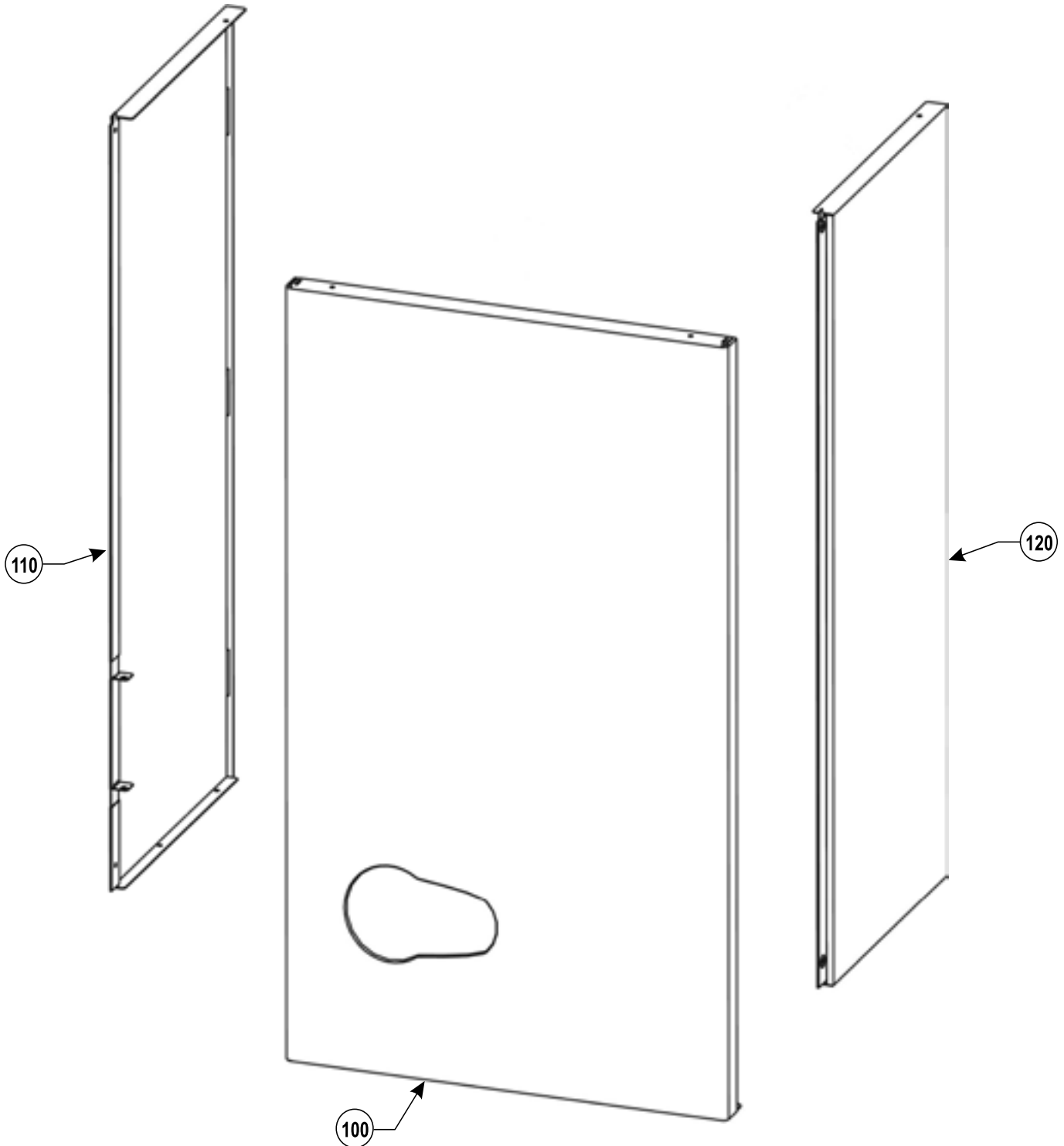
## SVF - 750 - 1000 -1100 Miscellaneous Parts And Kits

| Part No.                  | Description   |
|---------------------------|---|
| <b>Chemicals</b>          |   |
| 592-900-006               | Antifreeze - Sentinel X-500   |
| 592-900-016               | Corrosion Inhibitor - Sentinel X-100 ( 5 Gallons)   |
| 592-900-017               | Corrosion Inhibitor - Sentinel X-100 ( 50 Gallons)  |
| 592-900-005               | Inhibitor Quick Test Kit  |
| 592-900-003               | Cleaner - Sentinel X-400 ( One Tube 275 Mil)  |
| <b>Boiler Accessories</b> |   |
| 383-600-063               | Pressure Relief Valve For SVF 750 - ASME 30 PSI - ¾" NPT Female   |
| 383-600-064               | Pressure Relief Valve For SVF 750 - ASME 50 PSI - ¾" NPT Female   |
| 383-600-065               | Pressure Relief Valve For SVF 750 - ASME 80 PSI - ¾" NPT Female With New P/T Gauge  |
| 384-000-149               | Pressure Relief Valve For SVF 750 - ASME 100 PSI - ¾" NPT Female With New P/T Gauge   |
| 384-000-150               | Pressure Relief Valve For SVF 750 - ASME 150 PSI - ¾" NPT Female With New P/T Gauge   |
| 383-600-093               | Pressure Relief Valve For SVF 1000/1100 - ASME 30 PSI - 1¼" NPT Female  |
| 383-600-101               | Pressure Relief Valve For SVF 1000/1100 - ASME 30 PSI - 1¼" NPT Female  |
| 383-600-299               | Pressure Relief Valve For SVF 1000/1100 - ASME 80 PSI - 1¼" NPT Female With New P/T Gauge   |
| 383-600-298               | Pressure Relief Valve For SVF 1000/1100 - ASME 100 PSI - 1¼" NPT Female With New P/T Gauge  |
| 384-000-148               | Pressure Relief Valve For SVF 1000/1100 - ASME 150 PSI - 1¼" NPT Female With New P/T Gauge  |
| 380-000-000               | Pressure/Temperature Gauge - ¼" NPT - 0-75 PSI ( For 30-50 PSI Relief Valves)   |
| 570-218-055               | Pressure/Temperature Gauge - ¼" NPT - 0-150 PSI ( For 80-100 PSI Relief Valves)   |
| 510-218-110               | Pressure/Temperature Gauge - ¼" NPT - 0-240 PSI ( For 100-160 PSI Relief Valves)  |
| 383-600-076               | Condensate Neutrializer Kit ( Up To 3000 MBH)   |
| 384-000-143               | Annual Maintenance Kit - Includes (Ignitor/Flame Sense Rod And Gasket, Nuts And Washers For Ignitor/Sense Rods, Inhibitor Test Kit, Gasket/ Seal Kits For SVF750 And SVF 1000/1100) |
| 384-000-122               | Combustion Air Damper Kit - Includes ( Damper, Electrical Wiring, Coupling, Hose Clamp, And Instructions)   |
| 383-500-601               | Temperature Sensor - Strap On   |
| 384-000-005               | Natural Gas To L/P Conversion Kit For SVF 750 - Includes ( Orifice, Gasket, And Label)  |
| 384-000-006               | Natural Gas To L/P Conversion Kit For SVF 1000/1100 - Includes (Orifice, Gasket, And Label)   |
| 384-000-144               | Insulation Service Kit - SVF 750 - Insulation And Instructions  |
| 384-000-145               | Insulation Service Kit - SVF 1000/1100 - Insulation And Instructions  |
| 384-000-146               | Seal Gasket Service Kit - SVF 750 - Gaskets For Burner, Blower, And Gas Valve Flange  |
| 384-000-147               | Seal Gasket Service Kit - SVF 1000/1100 - Gaskets For Burner, Blower And Gas Valve Flange   |
| 384-000-151               | Air Inlet Adapter Kit - Includes Hardware   |
| 384-000-152               | Exhaust Adapter Kit - Includes Hardware   |
| 384-000-153               | Automatic Air Valve Kit - ½" NPT  |

# NOTES

# AquaBalance - Series 1 & 2 - 80/120/155 Jacket Assembly

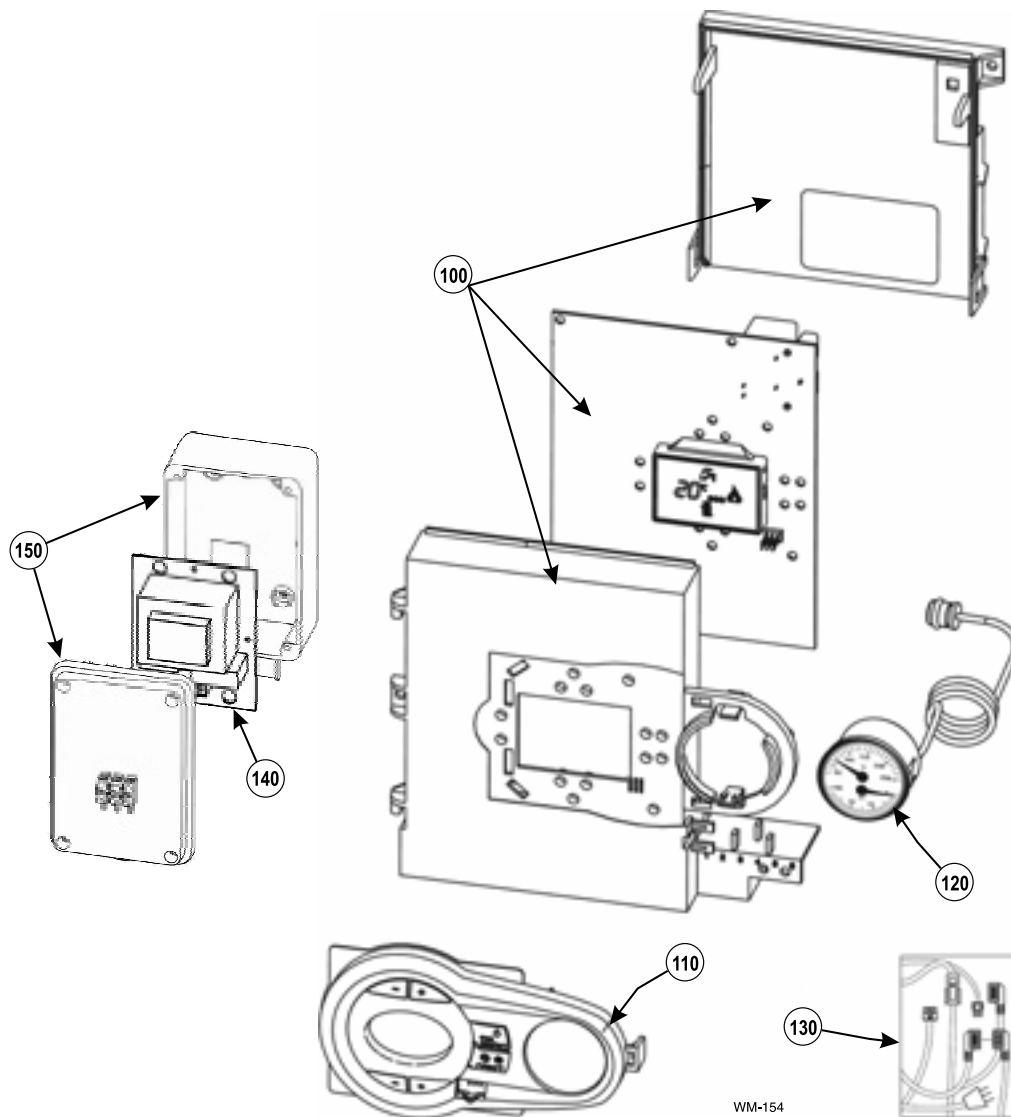
| Item | Part Number | Description/Contents |
|------|-------------|----------------------|
| 100  | 640-000-067 | Jacket Door          |
| 110  | 640-000-065 | Jacket Left Side     |
| 120  | 640-000-066 | Jacket Right Side    |



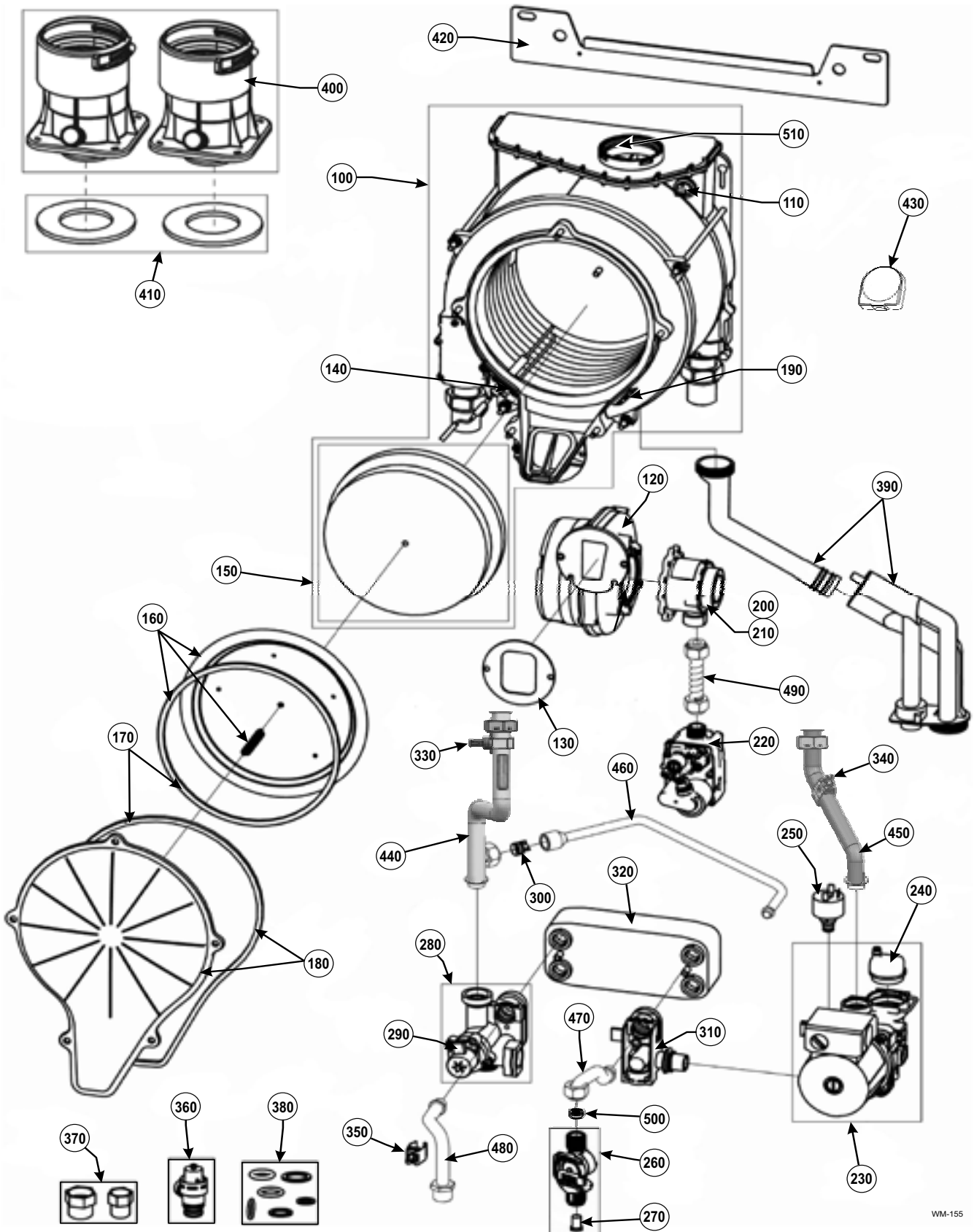
GAS

## AquaBalance - Series 1 & 2 - 80/120/155 Controls/Electrical Assemblies

| Item | Part Number | Description/Contents   |
|------|-------------|--|
| 100  | 640-000-003 | Control Module assembly  |
| 110  | 640-000-004 | Control module Display Cover   |
| 120  | 640-000-006 | Pressure / Temperature Assembly  |
| 130  | 640-000-085 | Wire Harness Assembly- Combi - 155 -Connects All Electrical Components                           |
|      | 640-000-005 | Wire Harness Assembly- Combi - 80/120 - Connects All Electrical Components                       |
|      | 640-000-053 | Wire Harness Assembly- Heating Only - Connects All Electrical Components                         |
|      | 640-000-103 | Blower Wiring Adapter Heating Only - 155 - Connects Adapter Plug From X-2 Terminal To Blower     |
| 140  | 640-000-062 | PCB - Only - (Includes Circuit Board, Transformer, Relay, Terminal Strip, Fuse Holder, And Fuse) |
| N/S  | 640-000-122 | Board Fuse 3.15 Amp - (Package Of 5)   |
|      | 640-000-123 | Thermostat Board Fuse - 630ma - (Package Of 5)   |



# AquaBalance - Series 1 & 2 - 80/120 Combi Boiler Replacement Kits And Parts



GAS

WM-155

## AquaBalance - Series 1 & 2 - 80/120 Combi Boiler Replacement Kits And Parts

| Item | Part Number | Description/Contents                             | AB-80 | AB-120 |
|------|-------------|--|-------|--------|
| 100  | 640-000-116 | Heat Exchanger - WMB-80 - <b>SERIES 2 ONLY</b>   | •     |        |
|      | 640-000-117 | Heat Exchanger - WMB-120 - <b>SERIES 2 ONLY</b>  |       | •      |
|      | 640-000-008 | Heat Exchanger - WMB-80 - <b>SERIES 1 ONLY</b>   | •     |        |
|      | 640-000-009 | Heat Exchanger - WMB-120 - <b>SERIES 1 ONLY</b>  |       | •      |
| 110  | 640-000-011 | Flue Temperature Sensor                          | •     | •      |
| 120  | 640-000-020 | Blower Assembly                                  | •     | •      |
| 130  | 640-000-021 | Blower Gasket                                    | •     | •      |
| 140  | 640-000-109 | Ignitor  | •     | •      |
| 150  | 640-000-010 | Central Heat Exchanger Insulation                | •     | •      |
| 160  | 640-000-012 | Burner   | •     | •      |
| 170  | 640-000-013 | Burner Gasket Set                                | •     | •      |
| 180  | 640-000-016 | Burner Cover                                     | •     | •      |
| 190  | 640-000-015 | Inspection Glass                                 | •     | •      |
| 200  | 640-000-022 | Natural Gas Conversion Kit - WMB-80 <b>ONLY</b>  | •     |        |
|      | 640-000-023 | Natural Gas Conversion Kit - WMB-120 <b>ONLY</b> |       | •      |
| 210  | 640-000-024 | Propane Gas Conversion Kit - WMB-80 <b>ONLY</b>  | •     |        |
|      | 640-000-025 | Propane Gas Conversion Kit - WMB-120 <b>ONLY</b> |       | •      |
| 220  | 640-000-037 | Gas Valve VK8205V                                | •     | •      |
| 230  | 640-000-017 | Circulator FX3-FP                                | •     | •      |
| 240  | 640-000-018 | Air Separator                                    | •     | •      |
| 250  | 640-000-019 | Water Pressure Switch                            | •     | •      |
| 260  | 640-000-026 | Flow Meter                                       | •     | •      |
| 270  | 640-000-027 | Water Filter                                     | •     | •      |
| 280  | 640-000-028 | 3-Way Valve                                      | •     | •      |
| 290  | 640-000-029 | 3-Way Valve Motor                                | •     | •      |
| 300  | 640-000-030 | N/ R Valve Fitting -                             | •     | •      |
| 310  | 640-000-031 | DHW R. Plate Connection                          | •     | •      |
| 320  | 640-000-032 | Plate Exchanger 16P - WMB 80 <b>ONLY</b>         | •     |        |
|      | 640-000-033 | Plate Exchanger 20P - WMB 120 <b>ONLY</b>        |       | •      |
| 330  | 640-000-034 | CH Temperature Probe DP                          | •     | •      |
| 340  | 640-000-035 | CH Temperature Probe US                          | •     | •      |
| 350  | 640-000-036 | DHW Temperature Probe US                         | •     | •      |
| 360  | 640-000-038 | Relief Valve 3/4"                                | •     | •      |

## AquaBalance - Series 1 & 2 - 80/120 Combi Boiler Replacement Kits And Parts Continued

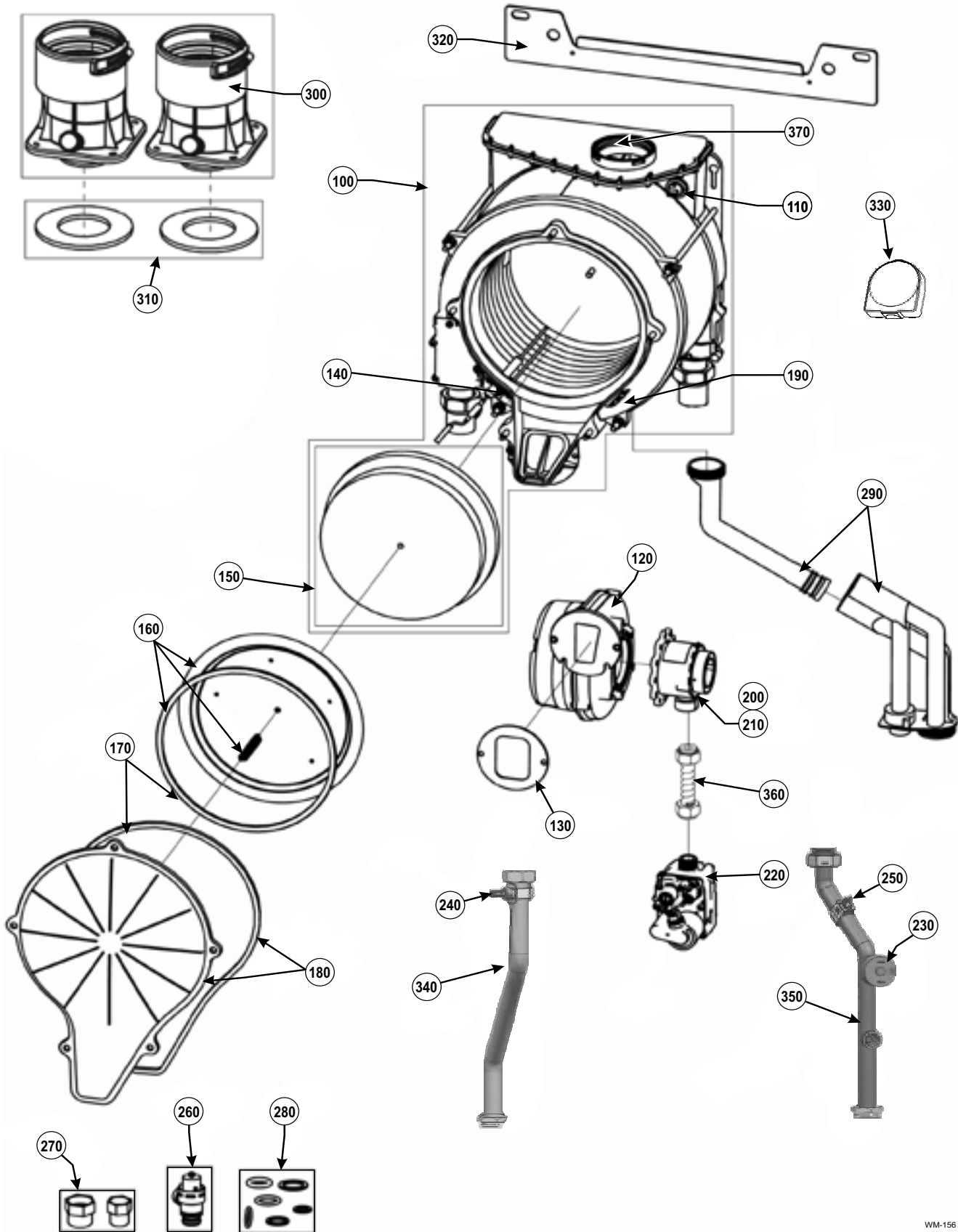
| Item | Part Number | Description/Contents                            | AB-80 | AB-120 |
|------|-------------|---|-------|--------|
| 370  | 640-000-039 | NPT Adapters                                    | •     | •      |
| 380  | 640-000-007 | Gasket Set                                      | •     | •      |
| 390  | 640-000-068 | Condensate Drain Trap                           | •     | •      |
| 400  | 640-000-107 | Vent Adapters - ( 2 Adapters In Kit)            | •     | •      |
| 410  | 640-000-108 | Gaskets - Vent Adapters - (2 Gaskets In Kit)    | •     | •      |
| 420  | 640-000-044 | Wall Mount Bracket                              | •     | •      |
| 430  | 640-000-043 | Outdoor Temperature Sensor                      | •     | •      |
| 440  | 640-000-124 | CH - Flow Pipe - WMB - 80 <b>SERIES 2 ONLY</b>  | •     |        |
|      | 640-000-125 | CH - Flow Pipe - WMB - 120 <b>SERIES 2 ONLY</b> |       | •      |
|      | 640-000-069 | CH - Flow Pipe - WMB - 80 <b>SERIES 1 ONLY</b>  | •     |        |
|      | 640-000-070 | CH - Flow Pipe - WMB - 120 <b>SERIES 1 ONLY</b> |       | •      |
| 450  | 640-000-071 | CH - Return Pipe - <b>SERIES 1 ONLY</b>         | •     | •      |
|      | 640-000-126 | CH - Return Pipe - <b>SERIES 2 ONLY</b>         | •     | •      |
| 460  | 640-000-049 | Bypass Pipe                                     | •     | •      |
| 470  | 640-000-050 | Flow Meter Pipe                                 | •     | •      |
| 480  | 640-000-051 | DHW Outlet Pipe                                 | •     | •      |
| 490  | 640-000-072 | Gas pipe - WMB 80 <b>ONLY</b>                   | •     |        |
| 500  | 640-000-110 | Flow Regulator (4 GPM) (Restrictor)             | •     | •      |
| 510  | 640-000-136 | Heat Exchanger Vent - Gasket                    | •     | •      |

GAS



# NOTES

# AquaBalance - Series 1 & 2 - 80/120 Heating Only Boiler Replacement Kits And Parts



GAS

## AquaBalance - Series 1 & 2 - 80/120 Heating Only Boiler Replacement Kits And Parts

| Item | Part Number | Description/Contents                             | AB-80 | AB-120 |
|------|-------------|--|-------|--------|
| 100  | 640-000-116 | Heat Exchanger - WMB 80 <b>SERIES 2 ONLY</b>     | •     |        |
|      | 640-000-117 | Heat Exchanger - WMB 120 <b>SERIES 2 ONLY</b>    |       | •      |
|      | 640-000-008 | Heat Exchanger - WMB 80 <b>SERIES 1 ONLY</b>     | •     |        |
|      | 640-000-009 | Heat Exchanger - WMB 120 <b>SERIES 1 ONLY</b>    |       | •      |
| 110  | 640-000-011 | Flue Temperature Sensor                          | •     | •      |
| 120  | 640-000-020 | Blower Assembly                                  | •     | •      |
| 130  | 640-000-021 | Blower Gasket                                    | •     | •      |
| 140  | 640-000-109 | Ignitor  | •     | •      |
| 150  | 640-000-010 | Central Heat Exchanger Insulation                | •     | •      |
| 160  | 640-000-012 | Burner   | •     | •      |
| 170  | 640-000-013 | Burner Gasket Set                                | •     | •      |
| 180  | 640-000-016 | Burner Cover                                     | •     | •      |
| 190  | 640-000-015 | Inspection Glass                                 | •     | •      |
| 200  | 640-000-022 | Natural Gas Conversion Kit - WMB-80 <b>ONLY</b>  | •     |        |
|      | 640-000-023 | Natural Gas Conversion Kit - WMB-120 <b>ONLY</b> |       | •      |
| 210  | 640-000-024 | Propane Gas Conversion Kit - WMB-80 <b>ONLY</b>  | •     |        |
|      | 640-000-025 | Propane Gas Conversion Kit - WMB-120 <b>ONLY</b> |       | •      |
| 220  | 640-000-037 | Gas Valve VK8205V                                | •     | •      |
| 230  | 640-000-019 | Water Pressure Switch                            | •     | •      |
| 240  | 640-000-034 | CH Temperature Probe DP                          | •     | •      |
| 250  | 640-000-035 | CH Temperature Probe US                          | •     | •      |
| 260  | 640-000-038 | Relief Valve ¾"                                  | •     | •      |
| 270  | 640-000-039 | NPT Adapters                                     | •     | •      |
| 280  | 640-000-055 | Gasket Set                                       | •     | •      |
| 290  | 640-000-073 | Condensate Drain Trap                            | •     | •      |
| 300  | 640-000-107 | Vent Adapters - ( 2 Adapters In Kit)             | •     | •      |
| 310  | 640-000-108 | Gaskets - Vent Adapters - (2 Gaskets In Kit)     | •     | •      |
| 320  | 640-000-044 | Wall Mount Bracket                               | •     | •      |
| 330  | 640-000-043 | Outdoor Temperature Sensor                       | •     | •      |
| 340  | 640-000-127 | CH - Flow Pipe - WMB - 80 <b>SERIES 2 ONLY</b>   | •     |        |
|      | 640-000-128 | CH - Flow Pipe - WMB - 120 <b>SERIES 2 ONLY</b>  |       | •      |
|      | 640-000-074 | CH - Flow Pipe - WMB - 80 <b>SERIES 1 ONLY</b>   | •     |        |
|      | 640-000-075 | CH - Flow Pipe - WMB - 120 <b>SERIES 1 ONLY</b>  |       | •      |

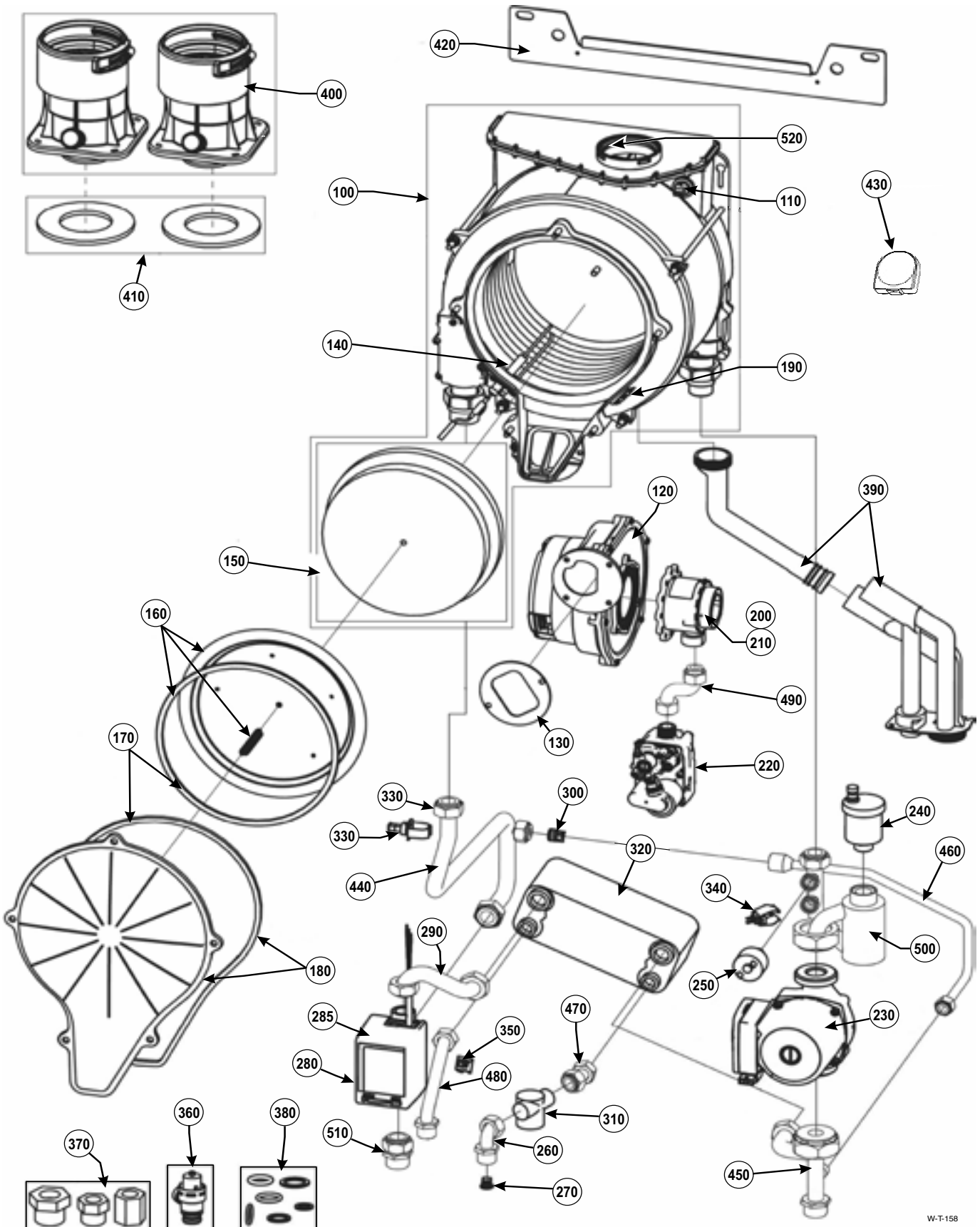
AquaBalance - Series 1 & 2 - 80/120 Heating Only  
Boiler Replacement Kits And Parts

|     |             |                                       |   |   |
|-----|-------------|---------------------------------------|---|---|
| 350 | 640-000-129 | CH - Return Pipe <b>SERIES 2 ONLY</b> | • | • |
|     | 640-000-076 | CH - Return Pipe <b>SERIES 1 ONLY</b> | • | • |
| 360 | 640-000-072 | Gas Pipe                              | • |   |
| 370 | 640-000-136 | Heat Exchanger Vent - Gasket          | • | • |

GAS

# NOTES

# AquaBalance - Series 1 & 2 - 155C Combi Boiler Replacement Kits And Parts



GAS

## AquaBalance - Series 1 & 2 - 155C Combi Boiler Replacement Kits And Parts

| Item | Part Number | Description/Contents   |
|------|-------------|--|
| 100  | 640-000-118 | Heat Exchanger - <b>SERIES 2 ONLY</b>                          |
|      | 640-000-080 | Heat Exchanger - <b>SERIES 1 ONLY</b>                          |
| 110  | 640-000-011 | Flue Temperature Sensor  |
| 120  | 640-000-081 | Blower   |
| 130  | 640-000-021 | Blower Gasket  |
| 140  | 640-000-109 | Ignitor  |
| 150  | 640-000-010 | Central Heat Exchanger Insulation                              |
| 160  | 640-000-012 | Burner   |
| 170  | 640-000-013 | Burner Gasket Set - (Includes Premix Gasket, And Cover Gasket) |
| 180  | 640-000-016 | Burner Cover   |
| 190  | 640-000-015 | Inspection Glass   |
| 200  | 640-000-082 | Natural Gas Conversion Kit                                     |
| 210  | 640-000-083 | Propane Gas Conversion Kit                                     |
|      | 640-000-133 | Propane Gas Conversion Kit - <b>SERIES 2 ONLY</b>              |
| 220  | 640-000-037 | Gas Valve - VK8205V  |
| 230  | 640-000-086 | Circulator - UPS2578   |
| 240  | 640-000-087 | Air Separator  |
| 250  | 640-000-019 | Water Pressure Switch  |
| 260  | 640-000-098 | DHW Inlet Pipe   |
| 270  | 640-000-027 | DHW Inlet Water Filter   |
| 280  | 640-000-088 | 3 Way Valve  |
| 285  | 640-000-134 | 3 Way Valve Motor  |
| 290  | 640-000-095 | 3 Way Valve - PHE Pipe   |
| 300  | 640-000-030 | N/R Valve Fitting  |
| 310  | 640-000-084 | Flow Meter   |
| 320  | 640-000-089 | Plate Heat Exchanger - PFH30                                   |
| 330  | 640-000-034 | CH Temperature Probe - DP                                      |
| 340  | 640-000-035 | CH Temperature Probe - US                                      |
| 350  | 640-000-036 | DHW Temperature probe - US                                     |
| 360  | 640-000-038 | Relief Valve - ¾"  |
| 370  | 640-000-090 | N.P.T. Adapters  |
| 380  | 640-000-101 | Gasket Set   |
| 390  | 640-000-073 | Condensate Drain Trap  |

## AquaBalance - Series 1 & 2 - 155C Combi Boiler Replacement Kits And Parts Continued

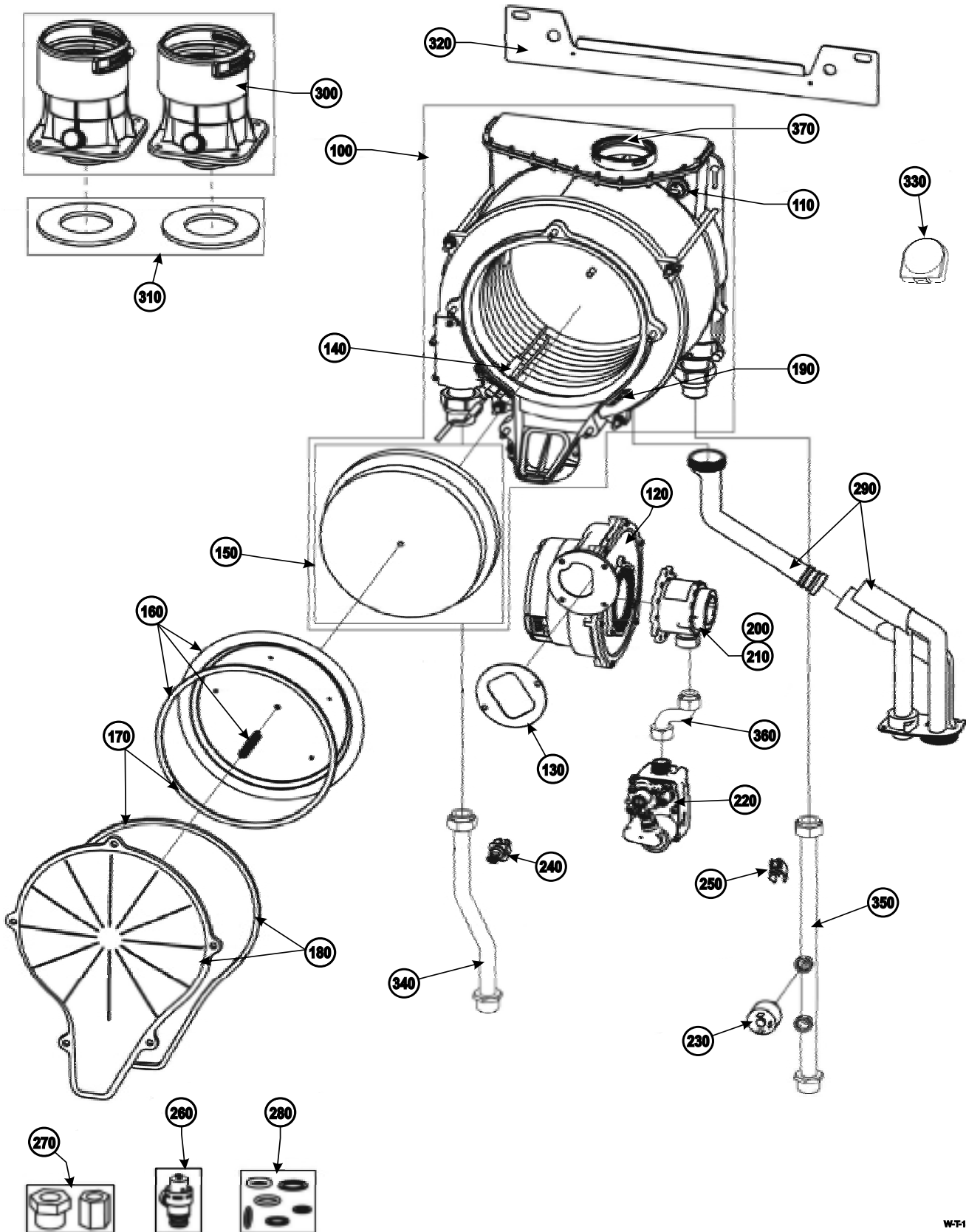
| Item | Part Number | Description/Contents                         |
|------|-------------|--|
| 400  | 640-000-107 | Vent Adapters - ( 2 Adapters In Kit)         |
| 410  | 640-000-108 | Gaskets - Vent Adapters - (2 Gaskets In Kit) |
| 420  | 640-000-044 | Wall Mount Bracket                           |
| 430  | 640-000-043 | Outdoor Temperature Sensor                   |
| 440  | 640-000-091 | Heat Exchanger Flow Pipe                     |
| 450  | 640-000-097 | CH - Return Pipe                             |
| 460  | 640-000-093 | Bypass Pipe                                  |
| 470  | 640-000-099 | Flow Meter PHE Pipe                          |
| 480  | 640-000-096 | DHW Outlet Pipe                              |
| 490  | 640-000-100 | Gas Pipe                                     |
| 500  | 640-000-092 | Heat Exchanger Return Pipe                   |
| 510  | 640-000-094 | CH Flow pipe                                 |
| 520  | 640-000-136 | Heat Exchanger Vent - Gasket                 |

GAS



# NOTES

# AquaBalance - Series 1 & 2 - 155H - Heating Only Boiler Replacement Kits And Parts



GAS

## AquaBalance - Series 1 & 2 - 155H - Heating Only Boiler Replacement Kits And Parts

| Item | Part Number | Description/Contents   |
|------|-------------|--|
| 100  | 640-000-118 | Heat Exchanger - <b>SERIES 2 ONLY</b>                          |
|      | 640-000-080 | Heat Exchanger - <b>SERIES 1 ONLY</b>                          |
| 110  | 640-000-011 | Flue Temperature Sensor  |
| 120  | 640-000-081 | Blower   |
| 130  | 640-000-021 | Blower Gasket  |
| 140  | 640-000-109 | Ignitor  |
| 150  | 640-000-010 | Central Heat Exchanger Insulation                              |
| 160  | 640-000-012 | Burner   |
| 170  | 640-000-013 | Burner Gasket Set - (Includes Premix Gasket, And Cover Gasket) |
| 180  | 640-000-016 | Burner Cover   |
| 190  | 640-000-015 | Inspection Glass   |
| 200  | 640-000-082 | Natural Gas Conversion Kit                                     |
| 210  | 640-000-083 | Propane Gas Conversion Kit                                     |
|      | 640-000-133 | Propane Gas Conversion Kit - <b>SERIES 2 ONLY</b>              |
| 220  | 640-000-037 | Gas Valve - VK8205V  |
| 230  | 640-000-019 | Water Pressure Switch  |
| 240  | 640-000-034 | CH Temperature Probe - DP                                      |
| 250  | 640-000-035 | CH Temperature Probe - US                                      |
| 260  | 640-000-038 | Relief Valve - 3/4"  |
| 270  | 640-000-104 | NPT Adapters   |
| 280  | 640-000-102 | Gasket Set   |
| 290  | 640-000-073 | Condensate Drain Trap  |
| 300  | 640-000-107 | Vent Adapters - ( 2 Adapters In Kit)                           |
| 310  | 640-000-108 | Gaskets - Vent Adapters - (2 Gaskets In Kit)                   |
| 320  | 640-000-044 | Wall Mount Bracket   |
| 330  | 640-000-043 | Outdoor Temperature Sensor                                     |
| 340  | 640-000-106 | CH - Flow Pipe   |
| 350  | 640-000-105 | CH - Return Pipe   |
| 360  | 640-000-100 | Gas Pipe   |
| 370  | 640-000-136 | Heat Exchanger Vent - Gasket                                   |

## AquaBalance - Series 1 & 2 - 80/120/155 Miscellaneous Parts And Kits

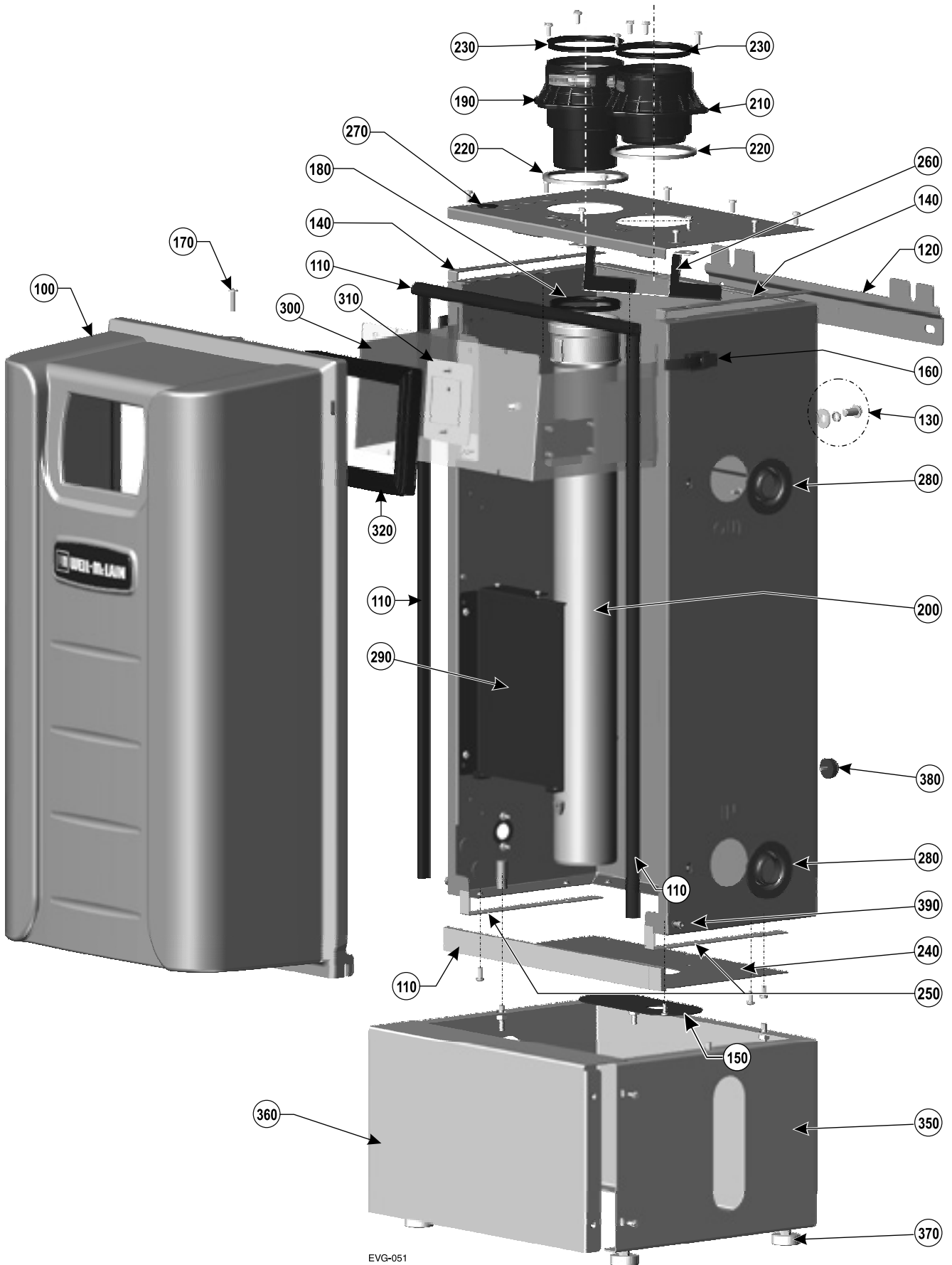
| Fig No.                                | Part No.    | Description   |
|--|-------------|---|
| <b>Chemicals</b>                       |             |   |
| N/S                                    | 592-900-029 | Antifreeze, Sentinel X500 - ( 1 Gallon)   |
|  | 592-900-002 | Corrosion Inhibitor, Sentinel X100  |
|  | 592-900-005 | Sentinel X100 Quick Test Kit  |
|  | 592-900-003 | Cleaner, Sentinel X400  |
| <b>Boiler Accessories</b>              |             |   |
| N/S                                    | 640-000-044 | Wall Mount Kit - (Includes Wall-Mount Bracket, and Hardware) - Supplied With Boiler   |
|  | 640-000-073 | Condensate Trap Kit - (Includes Trap assembly And Flexible Line) - Supplied With Boiler   |
| <b>Condensate Handling Accessories</b> |             |   |
| N/S                                    | 383-500-631 | Condensate Neutralizer Kit  |
|  | 640-000-114 | Annual Maintenance Kit 80/120 - Includes - (Ignitor, Water Filter, Gaskets, and Instructions)   |
|  | 640-000-112 | Annual Maintenance Kit - 155 - Includes - (Ignitor, Water Filter, Fan & Burner Gaskets, Gasket Kit For Combi & Heat Only, And Instructions)   |
| <b>Vent/Air Parts and Kits</b>         |             |   |
|  | 640-000-135 | Direct Exhaust Venting Kit - Includes (Cover Plates, Vent Screens, Mounting Hardware For 2" and 3" Vent Sizes)                                |
|  | 383-700-171 | Sidewall Separate Pipes Vent / Air Termination Kit For 2" PVC Vent And Air Pipes (Includes 2 Cover Plates)                                    |
|  | 383-500-100 | Sidewall Separate Pipes Vent / Air Termination Kit For 3" PVC Vent And Air Pipes (Includes 2 Cover Plates)                                    |
|  | 383-700-172 | Sidewall Separate Pipes Vent / Air Termination Kit For 3" AL29-4C And Air Pipe (Includes 2 Cover Plates)                                      |
|  | 383-700-167 | PVC Concentric Vent Kit - (Includes Components For Vertical Or Horizontal Assembly) For 2" PVC Vent And Air Pipes                             |
|  | 383-500-350 | PVC Concentric Vent Kit - (Includes Components For Vertical Or Horizontal Assembly) For 3" PVC Vent And Air Pipes                             |
|  | 2PPS-HK     | M&G Simpson-Duravent PolyPro Sidewall Concentric Vent/Air Kit; Color White (2" Polypropylene Pipe)  |
|  | 3PPS-HK     | M&G Simpson-Duravent PolyPro Sidewall Concentric Vent/Air Kit; Color White (3" Polypropylene Pipe)  |
|  | 2PPS-VK     | M&G Simpson-Duravent PolyPro Vertical Concentric Vent/Air Kit; Color = Black-(VK Suffix) Or Terra Cotta-(TC Suffix) - (2" Polypropylene Pipe) |
|  | 3PPS-VK     | M&G Simpson-Duravent PolyPro Vertical Concentric Vent/Air Kit; Color = Black-(VK Suffix) Or Terra Cotta-(TC Suffix) - (3" Polypropylene Pipe) |
|  | 2PPS-HTP    | M&G Simpson-Duravent PolyPro Sidewall Separate Vent/Air Kit - (2" Polypropylene Pipe)   |
|  | 3PPS-HTP    | M&G Simpson-Duravent PolyPro Sidewall Separate Vent/Air Kit - (3" Polypropylene Pipe)   |
|  | ICRT2439    | Centrotherm INNOFLUE VERTICAL Concentric Vent Air Kit - (2" Polypropylene Pipe)   |
|  | ICRT3539    | Centrotherm INNOFLUE VERTICAL Concentric Vent Air Kit - (3" Polypropylene Pipe)   |

GAS

AquaBalance - Series 1 & 2 - 80/120/155  
Miscellaneous Parts And Kits

| <b>Vent/Air Parts and Kits</b> |             |  |
|--------------------------------|-------------|--|
|                                | ICWT352     | Centrotherm INNOFLUE Sidewall Concentric Vent Air Kit - (3" Polypropylene Pipe)      |
|                                | ICWS2413    | Centrotherm INNOFLUE Sidewall Concentric Vent Air Kit - (2" Stainless Steel/PP Pipe) |
|                                | ICWS3513    | Centrotherm INNOFLUE Sidewall Concentric Vent Air Kit - (3" Stainless Steel/PP Pipe) |
|                                | 383-500-106 | Bird Screen For 2" PVC Vent/Air Pipes - (2 Required)                                 |
|                                | 383-500-105 | Bird Screen For 3" PVC Vent/Air Pipes - (2 Required)                                 |

# Evergreen Jacket Assembly - 70/110/155



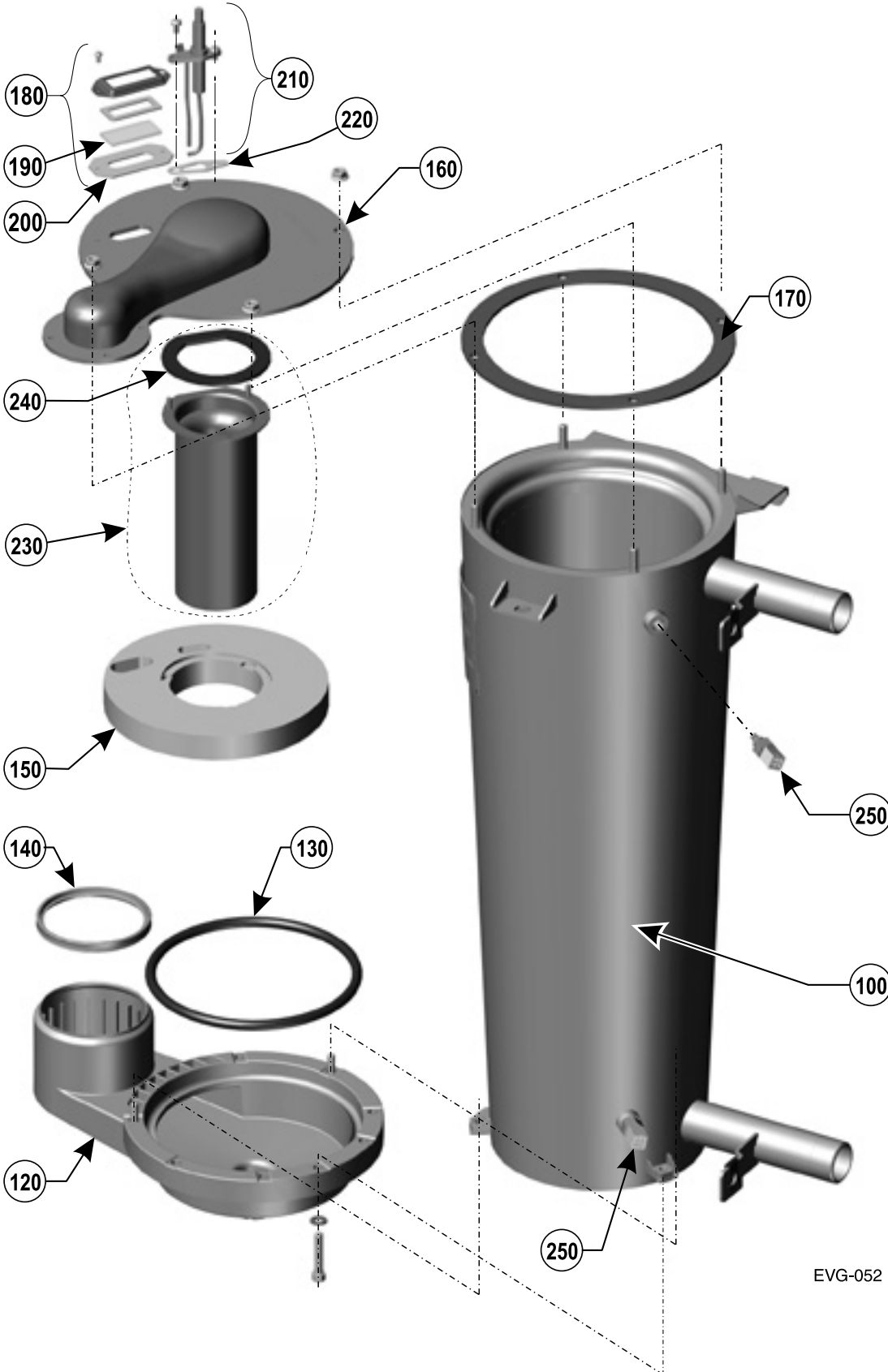
GAS

EVG-051

## Evergreen Jacket Assembly Parts - 70/110/155

| Item | Part Number | Description/Contents  | Model  |
|------|-------------|---|--------|
| 100  | 383-900-101 | Jacket Door - (Includes Labels)   | ALL    |
| 110  | 383-900-102 | Jacket Door To Cabinet Seals - (For Front Face)                               | ALL    |
| 120  | 383-800-218 | Wall Mount Bracket - (Wall Side, Includes Hardware)                           | ALL    |
| 130  | 383-800-219 | Wall Mount Hardware - (Boiler Side - Includes 2 Each Bolts, Washers, Spacers) | ALL    |
| 140  | 383-800-220 | Upper Panel To Cabinet Gaskets  | ALL    |
| 150  | 590-318-071 | Heat Exchanger To Bottom Panel Gaskets  | ALL    |
| 160  | 383-700-122 | Door Latch - ( 2 Required - Includes Rivets)                                  | ALL    |
| 170  | 562-150-290 | Door Retention Screw - ( Truss Head - 10-24) - Purchase Locally               | ALL    |
| 180  | 590-318-051 | Internal Flue Pipe To Adapter Gasket - Fits Inner Diameter Of Flue Pipe       | ALL    |
| 190  | 560-907-719 | Flue Pipe Adapter - Top Flue Adapter With Internal Gasket                     | ALL    |
| 200  | 560-907-720 | Boiler Flue Pipe - Internal Flue Pipe With Gasket                             | ALL    |
| 210  | 560-907-718 | Air Inlet Adapter - Top Air Inlet Adapter With Internal Gasket                | ALL    |
| 220  | 590-300-031 | Pipe Adapter To Cabinet Gasket - Applies To Air And Vent Adapters             | ALL    |
| 230  | 590-318-052 | Pipe Adapter To System Pipe Gasket - Inner Diameter Of Top Adapter            | ALL    |
| 240  | 383-900-103 | Jacket Bottom Panel Kit -(Includes Panel, Gasket, and Screws)                 | ALL    |
| 250  | 383-900-104 | Bottom Panel To Cabinet Gasket  | ALL    |
| 260  | 383-800-223 | Air Baffle And Screws   | ALL    |
| 270  | 561-444-186 | 3/8" Hole Plug- For Sealing Electrical Knockouts                              | ALL    |
| 290  | 383-800-228 | Control/Transformer Bracket   | ALL    |
| 300  | 383-900-105 | Display Board Bracket   | ALL    |
| 320  | 590-318-121 | Display/Door Gasket   | ALL    |
| N/S  | 383-700-238 | Condensate Bracket For 70/110 Boilers - (Includes Rivets)                     | 70/110 |
|      | 383-700-239 | Condensate Bracket For 155 Boiler - (Includes Rivets)                         | 155    |
| 350  | 383-900-106 | Floor Stand Assembly  | ALL    |
| 360  | 383-900-107 | Floor Stand Front Panel   | ALL    |
| 370  | 383-500-065 | Boiler Leg Kit - (Includes 4 Leveling Guides 5/16-18)                         | ALL    |

# Evergreen Heat Exchanger - 70/110



EVG-052

GAS



## Evergreen Heat Exchanger Parts - 70/110

| Item | Part Number | Description/Contents   | Model |     |
|------|-------------|--|-------|-----|
|      |             |  | 70    | 110 |
| 100  | 383-800-234 | Heat Exchanger   | •     |     |
|      | 383-800-238 |  |       | •   |
| 110  | 383-800-236 | Heat Exchanger, Condensate Dish, Cover Plate, Burner, Igniter, Sight Glass, Refractory, Water Sensors, Gaskets, Silicone, And Hardware - (Includes Items 100,120,130,140,160,180,210,240, And 260) | •     |     |
|      | 383-800-239 |  |       | •   |
| 120  | 383-700-102 | Condensate Dish, Gaskets And Hardware  | •     | •   |
| 130  | 383-700-103 | Heat Exchanger To Condensate Dish Gasket   | •     | •   |
| 140  | 383-700-104 | Condensate To Internal Flue Pipe Gasket  | •     | •   |
| 150  | 383-700-105 | Refractory Insulation And Silicone Sealant   | •     |     |
|      | 383-700-244 |  |       | •   |
| 160  | 383-700-108 | Heat Exchanger Cover Plate, Refractory, Silicone, And Gaskets - (Includes Items 150,170,200,220, And 250)  | •     |     |
|      | 383-800-240 |  |       | •   |
| 170  | 383-700-109 | Cover Plate Gasket   | •     | •   |
| 180  | 383-700-185 | Sight Glass Kit -( Includes Bracket, Glass, Gaskets, And Hardware - (Includes190, And 200)   | •     | •   |
| 190  | 591-419-202 | Sight Glass  | •     | •   |
| 200  | 383-700-112 | Sight Glass Gaskets - Upper And Lower  | •     | •   |
| 210  | 383-700-113 | Igniter Kit - (Includes Igniter, Gasket, And Screws)   | •     |     |
|      | 383-700-245 |  |       | •   |
| 220  | 590-300-034 | Igniter To Cover Plate Gasket  | •     | •   |
| 230  | 383-700-106 | Burner, Gasket, And Hardware   | •     |     |
|      | 383-700-246 |  |       | •   |
| 240  | 383-700-107 | Burner Gasket  | •     |     |
|      | 383-700-247 |  |       | •   |
| 250  | 511-724-296 | Heat Exchanger Water Temperature Sensor - (Includes One Sensor- Either Inlet Or Outlet)  | •     | •   |

# Evergreen Heat Exchanger - 155

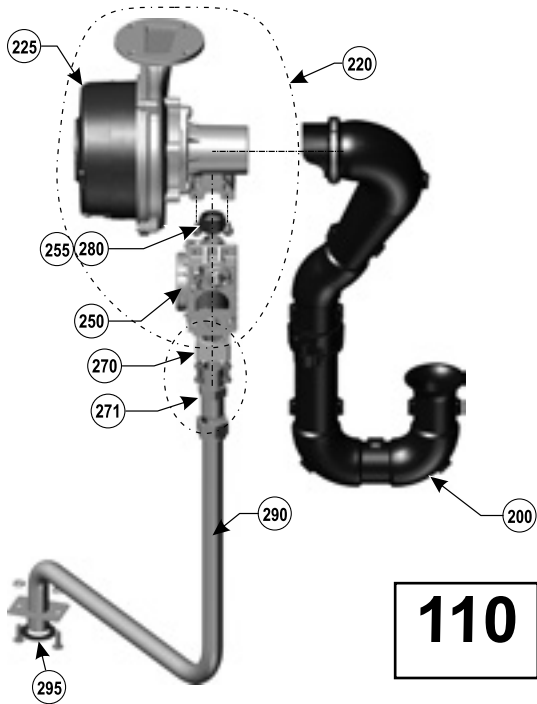


GAS

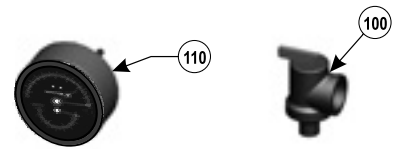
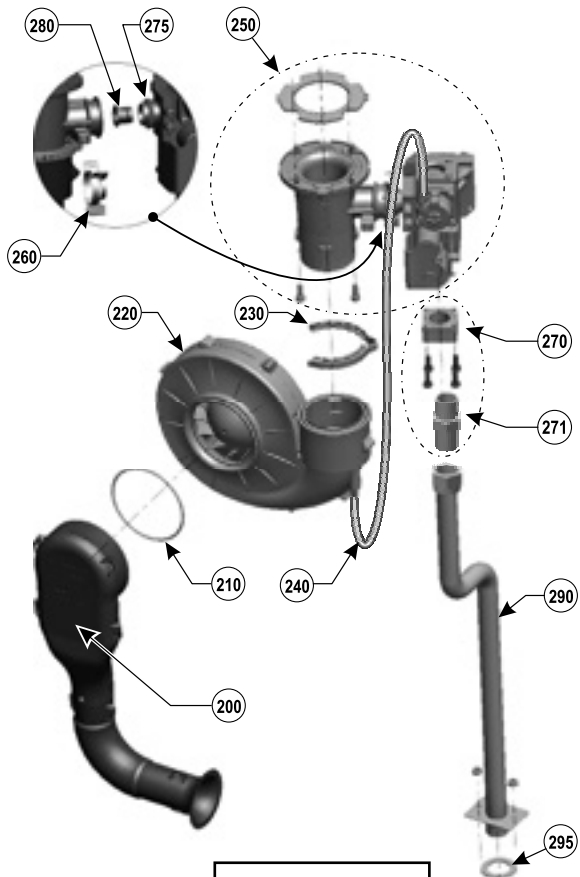
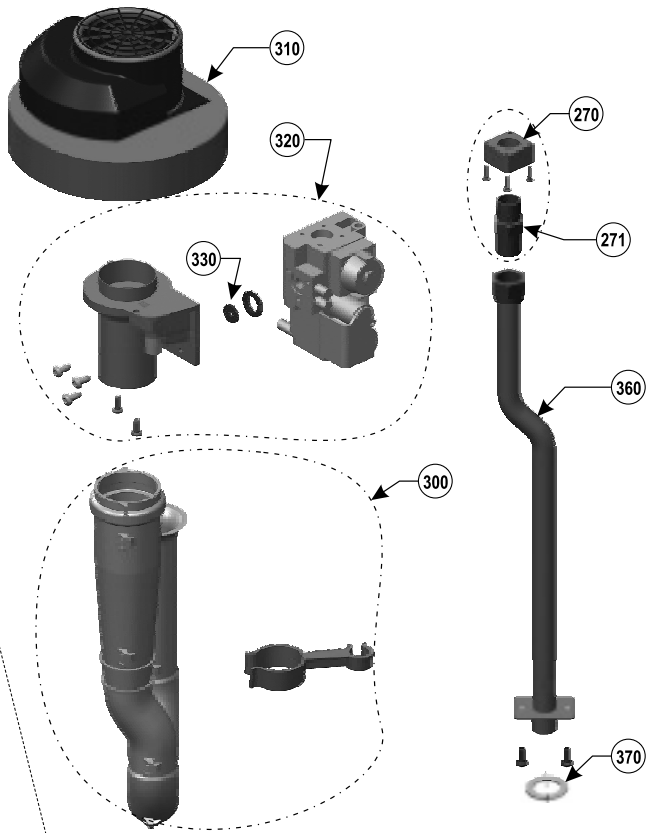
## Evergreen Heat Exchanger Parts - 155

| Item | Part Number | Description/Contents   | Model |
|------|-------------|--|-------|
| 100  | 383-800-231 | Heat Exchanger   | 155   |
| 110  | 383-800-233 | Heat Heat Exchanger, Condensate Dish, Cover Plate, Burner, Igniter, Sight Glass, Refractory, Water Sensors, Gaskets, Silicone, And Hardware - (Includes Items 100,130,140,160, 170,180,190, 200, 210, And 270) | 155   |
| 120  | 590-318-054 | Cover Plate/ Heat Exchanger Gasket   | 155   |
| 130  | 511-724-296 | Boiler Water Inlet Temperature Sensor - 130, And 140 Same sensor   | 155   |
| 140  |             | Boiler Water Outlet Temperature Sensor -130, And 140 Same sensor   | 155   |
| 150  | 590-318-006 | Blower Gasket  | 155   |
| 160  | 383-700-181 | Condensate Dish, Gaskets, And Hardware   | 155   |
| 170  | 383-700-205 | Gasket To Seal Heat Exchanger To Condensate Dish   | 155   |
| 180  | 383-700-104 | Gasket To Seal Condensate Dish To Internal Flue Pipe   | 155   |
| 190  | 383-700-184 | Heat Exchanger Cover Plate, Refractory, And Gaskets - (Includes 200,230,260, And 290)  | 155   |
| 200  | 383-700-182 | Refractory Insulation And Silicone Sealant   | 155   |
| 210  | 383-700-183 | Burner, Gasket, And Hardware - (Includes 220)  | 155   |
| 220  | 383-700-208 | Burner Gasket  | 155   |
| 230  | 383-700-202 | Burner Access Cover, Gasket, And Hardware - (Includes 240)   | 155   |
| 240  | 383-700-206 | Burner Access Cover Gasket   | 155   |
| 250  | 383-700-187 | Igniter Kit - (Includes Igniter, Gasket, And Screws) ( Includes 260)   | 155   |
| 260  | 590-300-034 | Igniter Gasket   | 155   |
| 270  | 383-700-185 | Sight Glass Kit -( Includes Bracket, Glass, Gaskets, And Hardware - (Includes 280, And 290)  | 155   |
| 280  | 591-419-202 | Sight Glass  | 155   |
| 290  | 383-700-112 | Sight Glass Gaskets - Upper And Lower  | 155   |
| 300  | 383-700-207 | Heat exchanger Cover Plate Gasket Set - (Icludes 120,150,220,240,And 260)  | 155   |

# Evergreen Combustion Components - 70/110/155



**155**



EVG-053

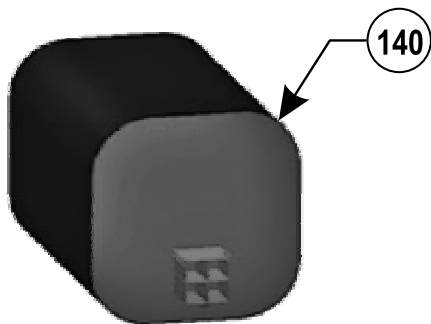
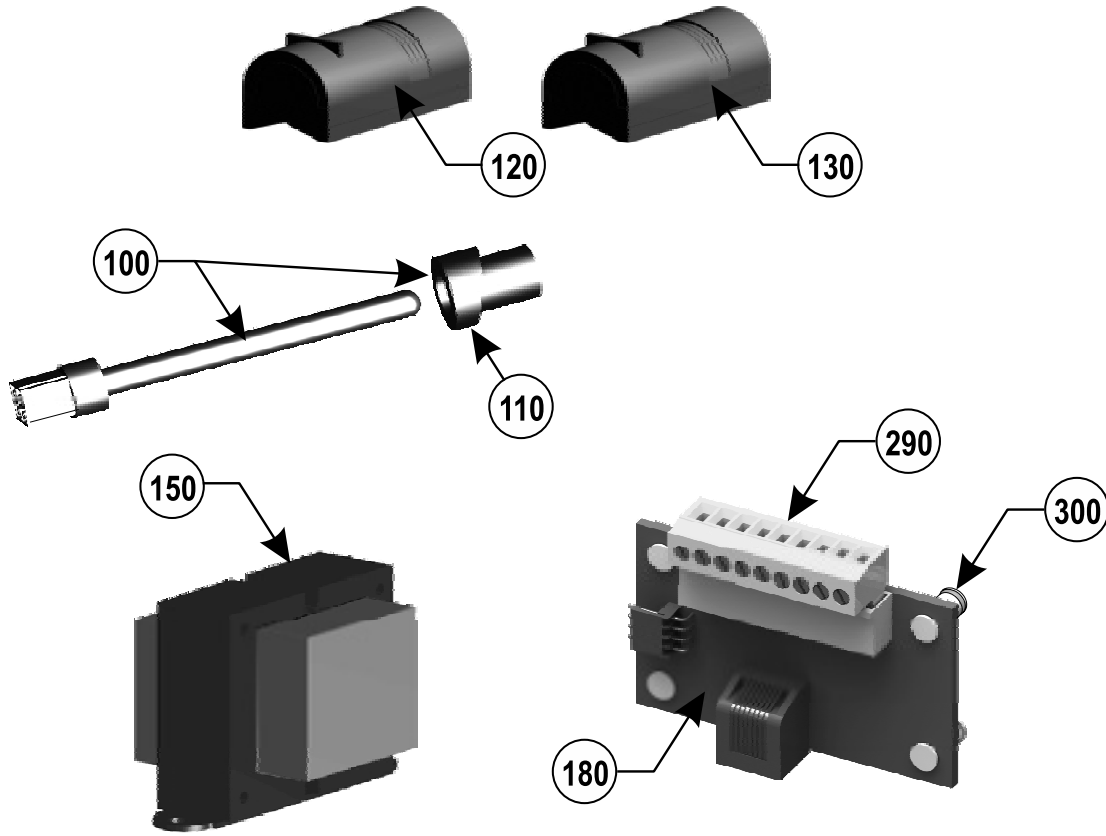
GAS

**Evergreen**  
**Combustion Components Parts - 70/110/155**

| Item | Part Number | Description/Contents   | Model                    |     |
|------|-------------|--|--------------------------|-----|
|      |             |  | 70                       | 110 |
| 100  | 383-500-095 | Relief Valve - 30 PSIG   | •                        | •   |
| 110  | 380-000-000 | Pressure / Temperature Gauge   | •                        | •   |
| 200  | 383-700-155 | Air Inlet Silencer   | •                        |     |
|      | 383-700-248 |  |                          | •   |
| 210  | 590-318-049 | Air Silencer O-Ring  | •                        |     |
| 220  | 383-700-157 | Blower, Clip, And Gasket   | •                        |     |
|      | 383-700-249 | Blower, Venturi, And Gas Valve Assembly  |                          | •   |
| 225  | 383-700-260 | Blower, Venturi, And Blower Gasket   |                          | •   |
| 230  | 562-650-115 | Blower Retainer Clip   | •                        |     |
| 240  | 590-300-001 | Blower To Gas Valve Reference Tube   | •                        |     |
| 250  | 383-700-159 | Gas Valve/Venturi Assembly - (Includes Gas valve, Venturi, Gasket, O-Ring, Clip, And Screws) | •                        |     |
|      | 383-700-259 | Gas Valve - (Includes Gas Valve, Rubber Boot, And Screws)                                    |                          | •   |
| 255  | 383-700-261 | Gas Valve/Venturi Rubber Boot  |                          | •   |
| 260  | 562-650-116 | Gas Valve Retainer Clip  | •                        |     |
| 270  | 563-910-031 | Gas Valve Adapter Block - (Includes O-Ring And Screws)                                       | •                        | •   |
| 271  | 562-302-576 | Gas Flex Line Adapter  | •                        | •   |
| 273  | 383-600-009 | Gas Valve Adapter Block O-Ring - (Includes 10 O-Rings)                                       | •                        | •   |
| 275  | 590-318-045 | Gas Valve Outlet O-Ring  | •                        |     |
| 280  | N/A         | Propane Orifice - Available Only with Propane Conversion Kit                                 |                          |     |
| 290  | 383-800-224 | Gas Flex Line - (Includes Gas Line, Seal, And Hardware)                                      | •                        |     |
|      | 383-800-241 |  |                          | •   |
| 295  | 590-300-027 | Gas Flex Line To Cabinet Gasket  | •                        | •   |
| 100  | 383-500-095 | Relief Valve - 30 PSIG   | <b>Evergreen<br/>155</b> |     |
| 110  | 380-000-000 | Pressure / Temperature Gauge   |                          |     |
| 270  | 563-910-031 | Gas Valve Adapter Block - (Includes O-Ring And Screws)                                       |                          |     |
| 271  | 562-302-576 | Gas Flex Line Adapter  |                          |     |
| 273  | 383-600-009 | Gas Valve Adapter Block O-Ring - (Includes 10 O-Rings)                                       |                          |     |
| 300  | 383-700-203 | Air Inlet Silencer With Gasket And Clip  |                          |     |
| 310  | 383-700-195 | Blower   |                          |     |
| 320  | 383-700-196 | Gas Valve/Venturi Assembly - (Includes Gasket, And Hardware)                                 |                          |     |
| 330  | N/A         | Propane Orifice - Available Only With Propane Conversion Kit                                 |                          |     |
| 360  | 383-800-241 | Gas Flex Line - (Includes Hardware)  |                          |     |
| 370  | 590-300-027 | Gas Flex Line To Cabinet Gasket  |                          |     |

GAS

Evergreen  
Controls / Electrical Assemblies - 70/110/155



**LWCO  
(Standard Equipment)**

EVG-154

GAS

**Evergreen**  
**Controls/Electrical Assembly Parts - 70/110/155**

| Item | Part Number | Description/Contents   |
|------|-------------|--|
| 100  | 383-500-600 | Flue Temperature Sensor And Grommet - 1 Each   |
| 110  | 590-318-011 | Grommet Flue Temperature Sensor - 1 Each   |
| 120  | 510-312-218 | Outdoor Temperature Sensor - 1 Each  |
| 130  | 383-500-601 | System Temperature Sensor - 1 Each   |
| 140  | 511-100-005 | Low Water Cut Off  |
| 150  | 383-500-628 | Transformer 120V/24V - 50VA  |
| 160  | 383-900-108 | Display Board Housing - Includes Circuit Board   |
| 170  | 381-330-037 | Control Module Assembly  |
| 180  | 383-900-110 | Communication Board - 1 Each   |
| N/S  | 591-392-047 | Line Voltage Wire Harness Evergreen -70 - Connects To Module, P1, And Blower   |
|      | 591-392-044 | Line Voltage Wire Harness Evergreen -110 - Connects To Module, P1, And Blower  |
|      | 591-392-043 | Line Voltage Wire Harness Evergreen -155 - Connects To Module, P1, And Blower  |
|      | 591-392-048 | Low Voltage Wire Harness Evergreen - 70 - Connects To Return And Supply Sensors, Flue Sensor, Gas Valve, And Blower Control. |
|      | 591-392-045 | Low Voltage Wire Harness Evergreen -110 - Connects To Return And Supply Sensors, Flue Sensor, Gas Valve, And Blower Control. |
|      | 591-392-046 | Low Voltage Wire Harness Evergreen -155 - Connects To Return And Supply Sensors, Flue Sensor, Gas Valve, And Blower Control. |
|      | 591-392-004 | Low Voltage Communication Board Wire Harness - Connects Communication Board To Module  |
|      | 591-392-009 | Communication Ethernet Wire Harness  |
|      | 591-392-012 | Ignition Cable   |
|      | 383-500-603 | F1 - 3 Amp - Fast Blow ATO Fuses - 5 Each  |
|      | 383-500-604 | F2 - 12 Amp - Fast Blow AG Fuses - 5 Each  |
|      | 383-500-641 | Low Voltage Terminal Block Jumper - 5 Each   |
|      | 383-900-111 | Electrical Control Connector - 8 Each  |
|      | 562-248-771 | Low Voltage Wire Grommet - Seals Thermostat Wire At Entrance To Cabinet  |
|      | 290         | 512-050-248  |
| 300  | 383-900-112 | Communication Board Stand Offs - 4 Each  |

GAS

Evergreen  
Miscellaneous Parts And Kits - 70/110/155

| Fig No.                                       | Part No.    | Description  |
|---|-------------|--|
| <b>Chemicals</b>                              |             |  |
| N/S   | 592-900-029 | Antifreeze, Sentinel X500 - ( 1 Gallon)  |
|   | 592-900-002 | Corrosion Inhibitor, Sentinel X100   |
|   | 592-900-005 | Sentinel X100 Quick Test Kit   |
|   | 592-900-003 | Cleaner, Sentinel X400   |
| <b>Boiler Accessories</b>                     |             |  |
| N/S   | 383-700-165 | Evergreen 70 Maintenance Kit - (Includes Igniter, Igniter Gasket, Venturi Gasket, Cover Plate Gasket, Venturi-Gas Valve O-ring, Refractory, Silicone, Inhibitor Test Kit, Clips, and Manuals)  |
|   | 383-700-243 | Evergreen 110 Maintenance Kit - (Includes Igniter, Igniter Gasket, Venturi Gasket, Cover Plate Gasket, Venturi-Gas Valve O-ring, Refractory, Silicone, Inhibitor Test Kit, Clips, and Manuals) |
|   | 383-700-200 | Evergreen 155 Maintenance Kit - (Includes Igniter, Igniter Gasket, Venturi Gasket, Cover Plate Gasket, Venturi-Gas Valve O-ring, Refractory, Silicone, Inhibitor Test Kit, Clips, and Manuals) |
|   | 383-600-322 | Modbus Converter To BacNet   |
|   | 383-600-332 | Modbus Converter To Lonworks   |
| <b>Condensate Handling Accessories</b>        |             |  |
| N/S   | 383-500-631 | Condensate Neutralizer Kit   |
|   | 560-907-722 | Condensate Drain Trap Kit- (Includes Trap Assembly And Flexible Line)  |
| <b>Natural Gas To Propane Conversion Kits</b> |             |  |
| N/S   | 540-202-837 | <b>Evergreen-70</b>  |
|   | 540-131-088 | <b>Evergreen-110</b>   |
|   | 540-202-839 | <b>Evergreen-155</b>   |

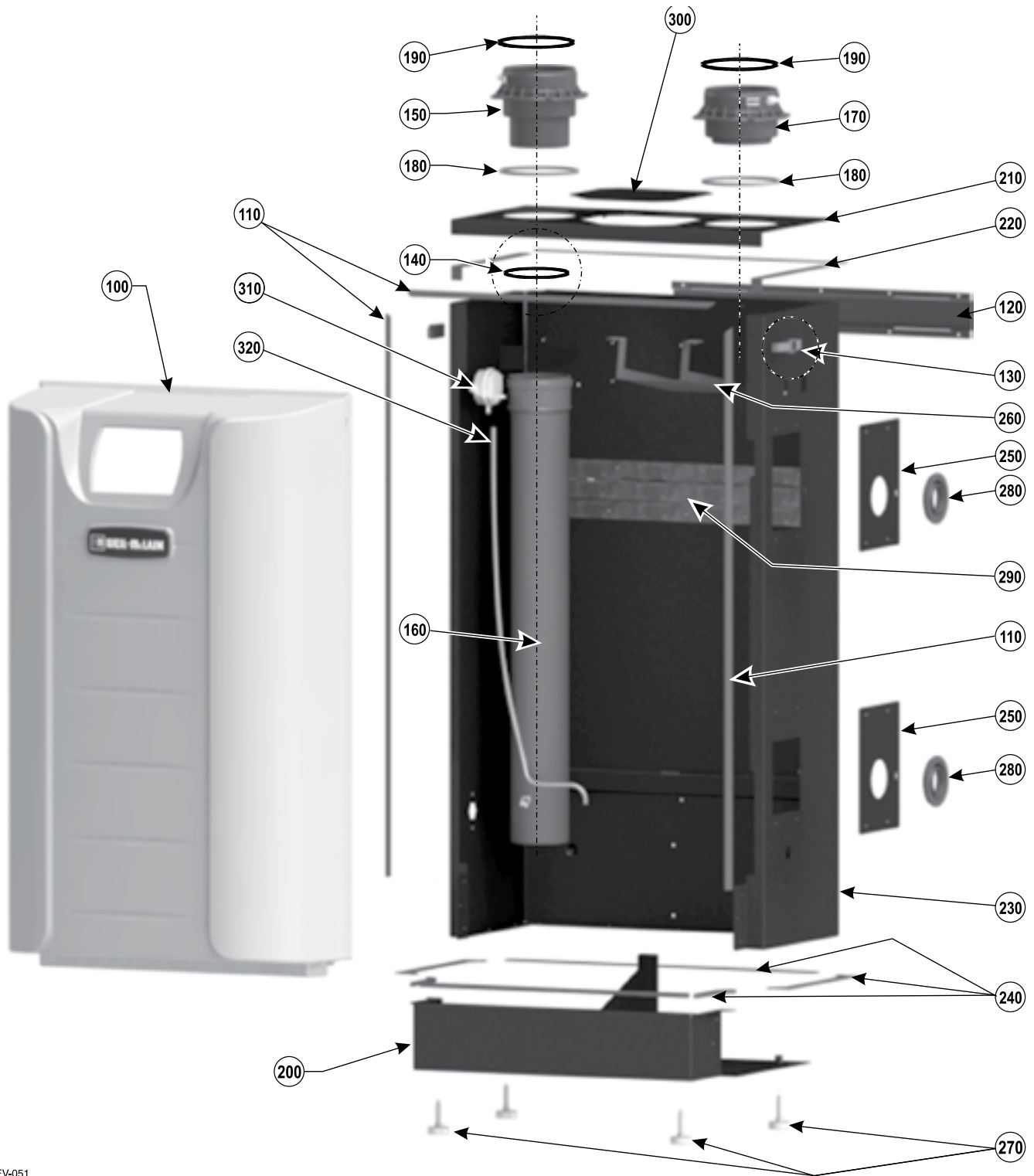
GAS



**Evergreen**  
**Miscellaneous Parts And Kits - 70/110/155**

| <b>Vent/Air Parts and Kits</b> |                  |  |
|--------------------------------|------------------|--|
| N/S                            | 383-500-397      | Weil-McLain Sidewall Vent/Air Cap Termination Kit For 3" PVC vent And Air Pipes - (Includes W-M Sidewall Vent/Air Termination Cap, Inside And Outside Cover Plates, And Mounting Hardware) Openings Are Sized For 3" PVC If using 2" Field Installed 3X2 Adapter Is Required                                   |
|                                | 382-200-430      | Weil-McLain Sidewall Vent/Air Cap Termination Kit For AL29-4C Vent And PVC Air Pipe - (Includes W-M Sidewall Vent/Air Termination Cap, Inside And Outside Cover Plates, And Mounting Hardware) Openings Are Sized For 3" SS Vent Pipe And 3" PVC Air Pipe. If using 2" Field Installed 3X2 Adapter Is Required |
|                                | 383-700-171      | Sidewall Separate Pipes Vent/Air Termination Kit - (Includes 2 Cover Plates) For 2" PVC Vent And Air Pipes   |
|                                | 383-500-100      | Sidewall Separate Pipes Vent/Air Termination Kit - (Includes 2 Cover Plates) For 3" PVC Vent And Air Pipes   |
|                                | 383-700-172      | Sidewall Separate Pipes Vent/Air Termination Kit - (Includes 2 Cover Plates) For 3" AL29-4C SS Vent And PVC Air Pipes  |
|                                | 383-700-167      | PVC Concentric Vent Kit - (Includes Components For Vertical Or Horizontal Assembly) For 2" Vent And Air Pipes  |
|                                | 383-500-350      | PVC Concentric Vent Kit - (Includes Components For Vertical Or Horizontal Assembly) For 3" Vent And Air Pipes  |
|                                | 2PPS-HK          | M&G Simpson-Duravent PolyPro Sidewall Concentric Vent/Air Kit; Color = White (2" Polypropylene Pipe)   |
|                                | 3PPS-HK          | M&G Simpson-Duravent PolyPro Sidewall Concentric Vent/Air Kit; Color =White (3" Polypropylene Pipe)  |
|                                | 2PPS-VK          | M&G Simpson-Duravent PolyPro Vertical Concentric Vent/Air Kit; Color = Black-(VK Suffix) Or Terra Cotta-(TC Suffix) - (2" Polypropylene Pipe)  |
|                                | 3PPS-VK          | M&G Simpson-Duravent PolyPro Vertical Concentric Vent/Air Kit; Color = Black-(VK Suffix) Or Terra Cotta-(TC Suffix) - (3" Polypropylene Pipe)  |
|                                | 2PPS-HTP         | M&G Simpson-Duravent PolyPro Sidewall Separate Air/Vent Kit; (2" Polypropylene Pipe)   |
|                                | 3PPS-HTP         | M&G Simpson-Duravent PolyPro Sidewall Separate Vent/Air Kit; (3" Polypropylene Pipe)   |
|                                | 3PPS-C3PVCM-3PPF | M&G Simpson-Duravent PolyPro - (3" Polypropylene Pipe Appliance Adapter)   |
|                                | ICRT2439         | Centrotherm INNOFLUE VERTICAL Concentric Vent Air Kit - (2" Polypropylene Pipe)  |
|                                | ICRT3539         | Centrotherm INNOFLUE VERTICAL Concentric Vent Air Kit - (3" Polypropylene Pipe)  |
|                                | ICWT352          | Centrotherm INNOFLUE Sidewall Concentric Vent Air Kit - (3" Polypropylene Pipe)  |
|                                | ICWS2413         | Centrotherm INNOFLUE Sidewall Concentric Vent Air Kit - (2" Stainless Steel/PP Pipe)   |
|                                | ICWS3513         | Centrotherm INNOFLUE Sidewall Concentric Vent Air Kit - (3" Stainless Steel/PP Pipe)   |
|                                | ISAAL0303        | Centrotherm INNOFLUE Polypropylene Appliance Adapter - For 3" Polypropylene Pipe   |
|                                | 560-907-728      | Bird Screen For 2" PVC Vent/Air Pipes - (2 Required)   |
|                                | 383-500-105      | Bird Screen For 3" PVC Vent/Air Pipes - (2 Required)   |

# Evergreen Jacket Assembly - 220/299/300/399



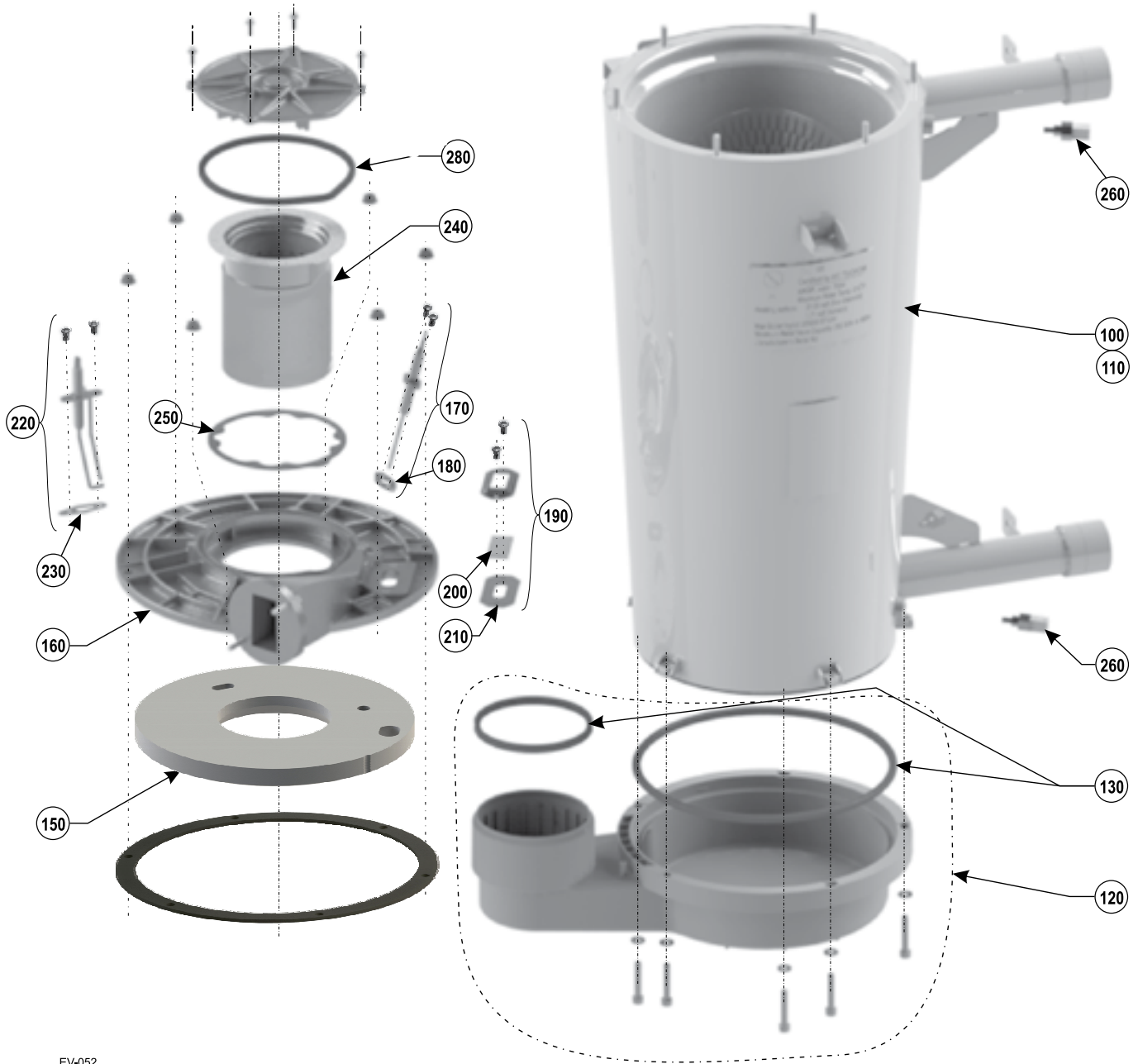
GAS

EV-051

**Evergreen**  
**Jacket Assembly Parts - 220/299/300/399**

| Item | Part Number | Description/Contents   | Model |
|------|-------------|--|-------|
| 100  | 383-900-073 | Front Door - (Includes WM Logo and Gaskets)                                    | All   |
| 110  | 383-900-070 | Front Door Gasket Kit - (Includes Right, Left, and Top Gaskets)                | All   |
| 120  | 383-900-086 | Wall Mount Bracket - Jacket Side - (Includes Screws)                           | All   |
| 130  | 383-700-122 | Door Latch - (Includes Rivets) (2) Required                                    | All   |
| 140  | 383-900-028 | Gasket Kit - (Includes Flue Pipe Gaskets And Condensate Dish Gasket)           | All   |
| 150  | 383-900-014 | Flue Pipe Adapter - (Includes Top Flue Adapter and Internal Gasket)            | All   |
| 160  | 383-900-015 | Boiler Flue Pipe - (Includes Internal Flue Pipe and Gasket)                    | All   |
| 170  | 383-900-013 | Air Inlet Adapter - (Includes Top Air Inlet Adapter and Gasket)                | All   |
| 180  | 383-900-058 | Gasket - Pipe Adapter To Cabinet   | All   |
| 190  | 590-318-106 | Gasket - Pipe Adapter To System Pipe - (Gasket Fits Inner Diameter Of Adapter) | All   |
| 200  | 383-900-042 | Jacket Panel Bottom - (Includes Bottom Gasket, Leveling Legs, and Screws)      | All   |
| 210  | 383-900-043 | Jacket Panel Top - (Includes Top gasket and Screws)                            | All   |
| 220  | 383-900-052 | Gasket Kit - (Jacket Panel Top) (Seals Top Panel Cabinet)                      | All   |
| 230  | 383-900-044 | Jacket Panel Back - (Includes Brackets, Gaskets, Door Latches, and Screws)     | All   |
| 240  | 383-900-051 | Gasket Kit - (Jacket Panel Bottom) (Seals Bottom Panel Cabinet)                | All   |
| 250  | 383-900-085 | Bracket Piping - (Includes Screws) ( 2 Required)                               | All   |
| 260  | 383-900-084 | Air Baffle - (Includes Screws)   | All   |
| 270  | 383-500-065 | Boiler Leg Kit - (4 Required)  | All   |
| 280  | 562-248-762 | Grommet Sealing - (Sealing Water Pipes To Cabinet) (2 Required)                | All   |
| 290  | 383-900-087 | Bracket Mounting Heat Exchanger - (Includes Screws)                            | All   |
| 300  | 383-900-041 | Panel - Burner Access - (Includes Hardware)                                    | All   |
| 310  | 383-900-080 | Pressure Switch - Set Point 3.25 W.C.  | All   |
| 320  | 590-300-056 | Tube - Pressure Switch   | All   |
| N/S  | 592-002-033 | Touch Up Paint - Black - Low-E, 4.5 oz Can                                     | All   |

# Evergreen Heat Exchanger - 220



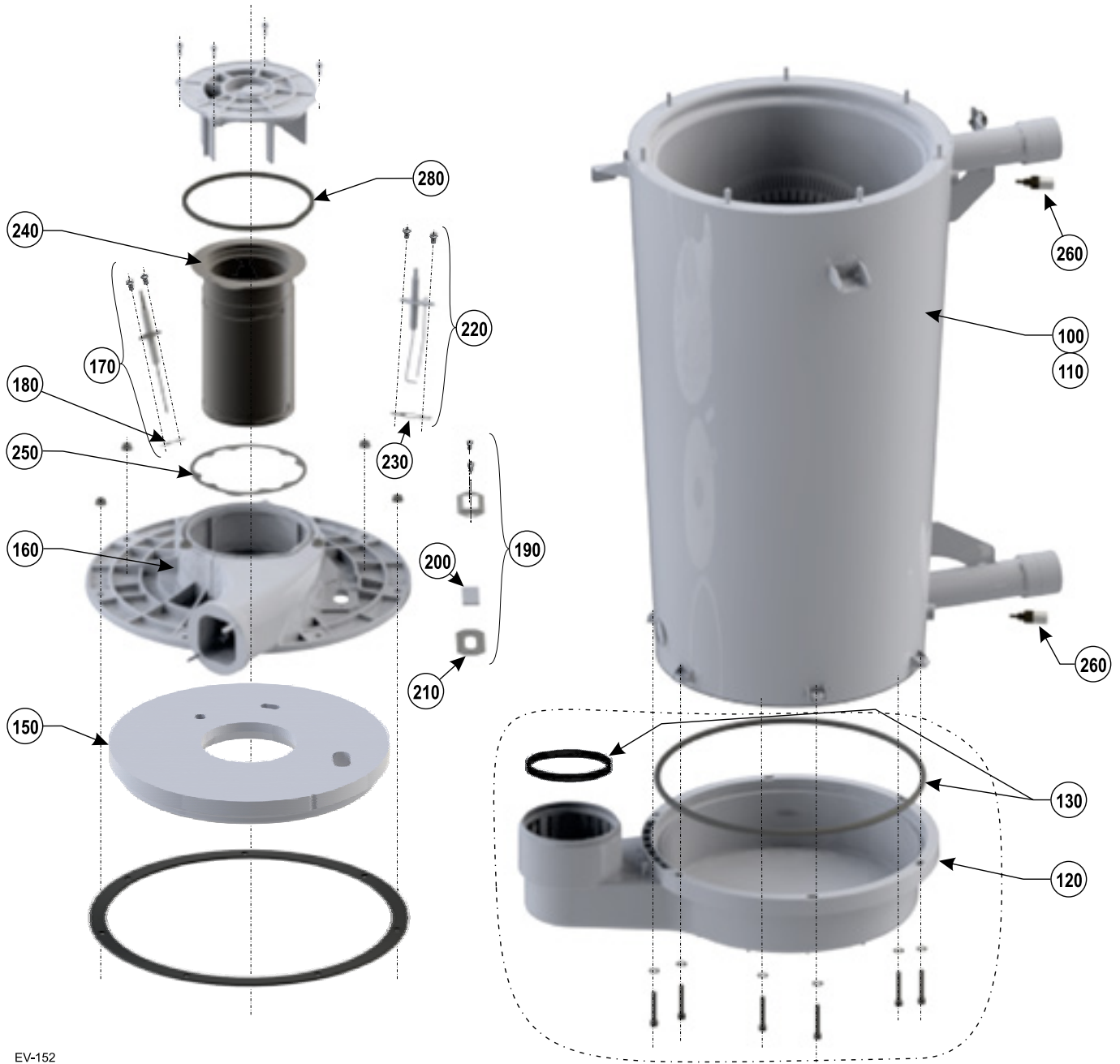
EV-052

GAS

## Evergreen Heat Exchanger Parts - 220

| Item | Part Number | Description/Contents  | Model |
|------|-------------|---|-------|
| 100  | 383-900-025 | Heat Exchanger, Gaskets and Hardware - (Includes Items 130 and 150)   | 220   |
| 110  | 383-900-069 | Heat Exchanger, Condensate Dish, Cover Plate, Burner, Igniter, Sight Glass, Refractory, Water Sensors, Gaskets, Silicone, and Hardware - (Includes Items 120 Through 280) | 220   |
| 120  | 383-900-012 | Condensate Dish, Gaskets ,Hardware - (Includes Item 130)  | 220   |
| 130  | 383-900-028 | Gasket To Seal Heat Exchanger To Condensate Dish - (Includes Flue Pipe Gaskets)   | 220   |
| 150  | 383-900-032 | Refractory Insulation & Silicone Sealant, Igniter Gasket, Flame Rod Gasket, and Burner Gasket   | 220   |
| 160  | 383-900-016 | Heat Exchanger Cover Plate, Refractory, Silicone, Gaskets, and Hardware (Includes Items 150, 190, and 270)  | 220   |
| 170  | 383-900-094 | Flame Sense Rod Kit - (Includes Flame Sense Rod, Gasket, and Screws)  | 220   |
| 180  | 590-300-057 | Flame Sense Gasket  | 220   |
| 190  | 383-900-099 | Sight Glass Kit - (Includes Bracket, Glass, Gaskets, and Hardware)  | 220   |
| 200  | 591-419-202 | Sight Glass   | 220   |
| 220  | 383-900-033 | Igniter Kit - (Includes Igniter, Gasket, and Screws)  | 220   |
| 230  | 590-300-034 | Igniter To Cover Plate Gasket   | 220   |
| 240  | 383-900-022 | Burner Kit - (Includes Item 280, Burner, Gaskets, and Screws)   | 220   |
| 250  | 383-900-060 | Burner Gasket   | 220   |
| 260  | 511-724-296 | Heat Exchanger Water Temperature Sensor - (2 Required) One Sensor For Either Boiler Inlet Or Outlet Water Temperature)  | 220   |
| 280  | 383-900-010 | Burner Access Cover Gasket, Burner Gasket, and Hardware   | 220   |

# Evergreen Heat Exchanger - 299/300/399



EV-152

GAS

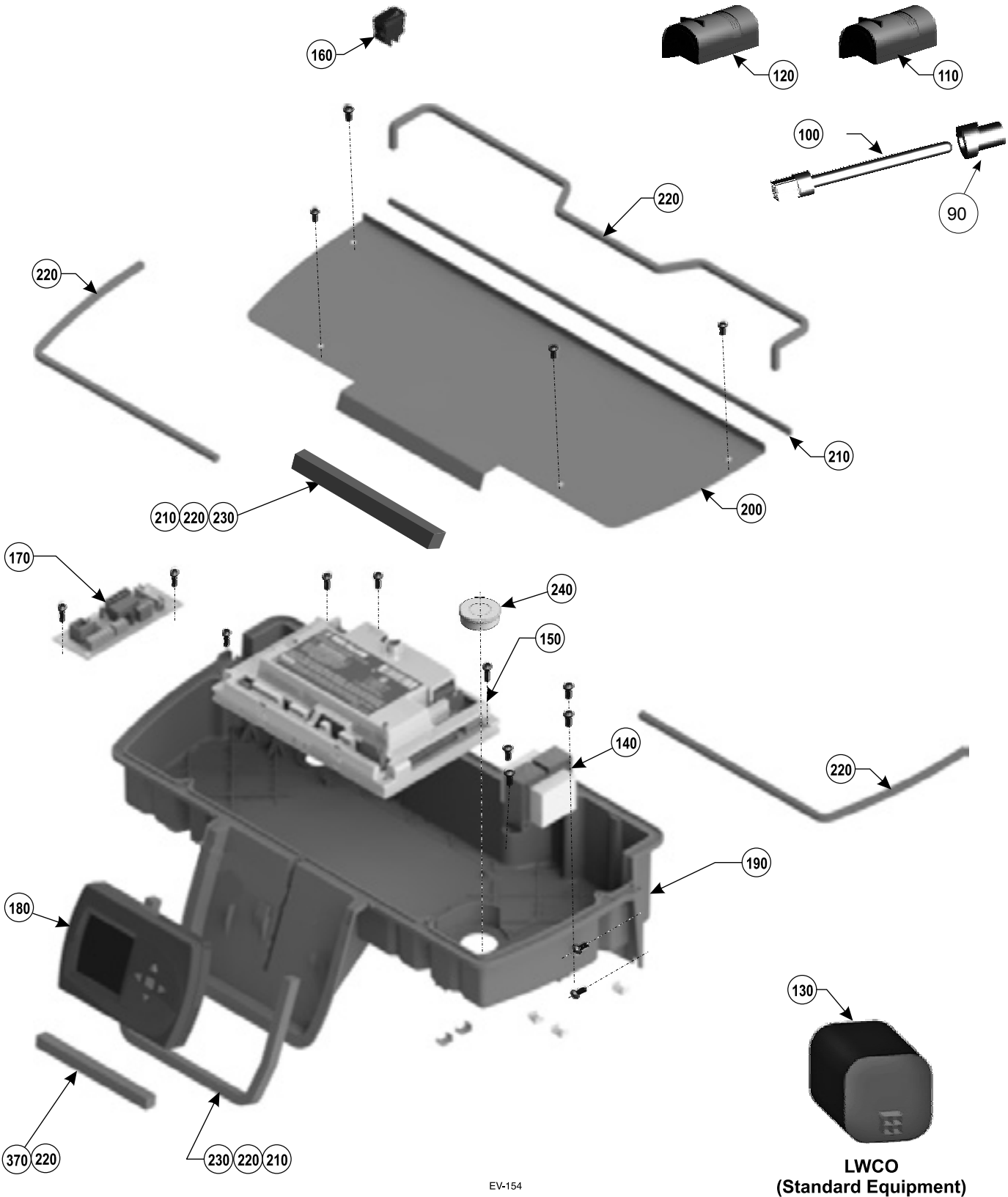
## Evergreen

### Heat Exchanger Parts - 299/300/399

| Fig. No. | Part Number | Description   | Model 299/300/399 |   |
|----------|-------------|---|-------------------|---|
|          |             |   |                   |   |
| 100      | 383-900-024 | Heat Exchanger, Gaskets, and Hardware - (Includes Items 130, and 150)   | •                 |   |
|          | 383-900-023 |   |                   | • |
| 110      | 383-900-068 | Heat Exchanger, Condensate Dish, Cover Plate, Burner, Igniter, Sight Glass, Refractory, Water Sensors, Gaskets, Silicone, and Hardware - (Includes Items 120 Through 280) | •                 |   |
|          | 383-900-067 |   |                   | • |
| 120      | 383-900-011 | Condensate Dish, Gaskets, and Hardware - (Includes Item 130)  | •                 | • |
| 130      | 383-900-030 | Gasket To Seal Heat Exchanger To Condensate Dish - (Includes Flue Pipe Gaskets)   | •                 | • |
| 150      | 383-900-031 | Refractory Insulation & Silicone Sealant, Igniter Gasket, Flame Rod Gasket, and Burner Gasket   | •                 |   |
|          | 383-900-096 |   |                   | • |
| 160      | 383-900-017 | Heat Exchanger Cover Plate, Refractory, Silicone, Gaskets, and Hardware - (Includes Items 150, 190, and 270)  | •                 |   |
|          | 383-900-095 |   |                   | • |
| 170      | 383-900-094 | Flame Sense Rod Kit - (Includes Flame Sense Rod, Gasket, and Screws)  | •                 | • |
| 180      | 590-300-057 | Flame Sense Gasket  | •                 | • |
| 190      | 383-900-099 | Sight Glass Kit - (Includes Bracket, Glass, Gaskets, and Hardware)  | •                 | • |
| 200      | 591-419-202 | Sight Glass   | •                 | • |
| 220      | 383-900-033 | Igniter Kit - (Includes Igniter, Gasket, and Screws)  | •                 | • |
| 230      | 590-300-034 | Igniter To Cover Plate Gasket   | •                 | • |
| 240      | 383-900-021 | Burner Kit - (Includes Item 280, Burner, Gaskets, and Screws)   | •                 |   |
|          | 383-900-020 |   |                   | • |
| 250      | 383-900-060 | Burner Gasket   | •                 | • |
| 260      | 511-724-296 | Heat Exchanger Water Temperature Sensor - (2 Required) One Sensor For Either Boiler Inlet Or Outlet Water Temperature)  | •                 | • |
| 280      | 383-900-010 | Burner Access Cover Gasket, Burner Gasket, and Hardware   | •                 | • |

# Evergreen

## Controls / Electrical - 220/299/300/399



GAS

EV-154

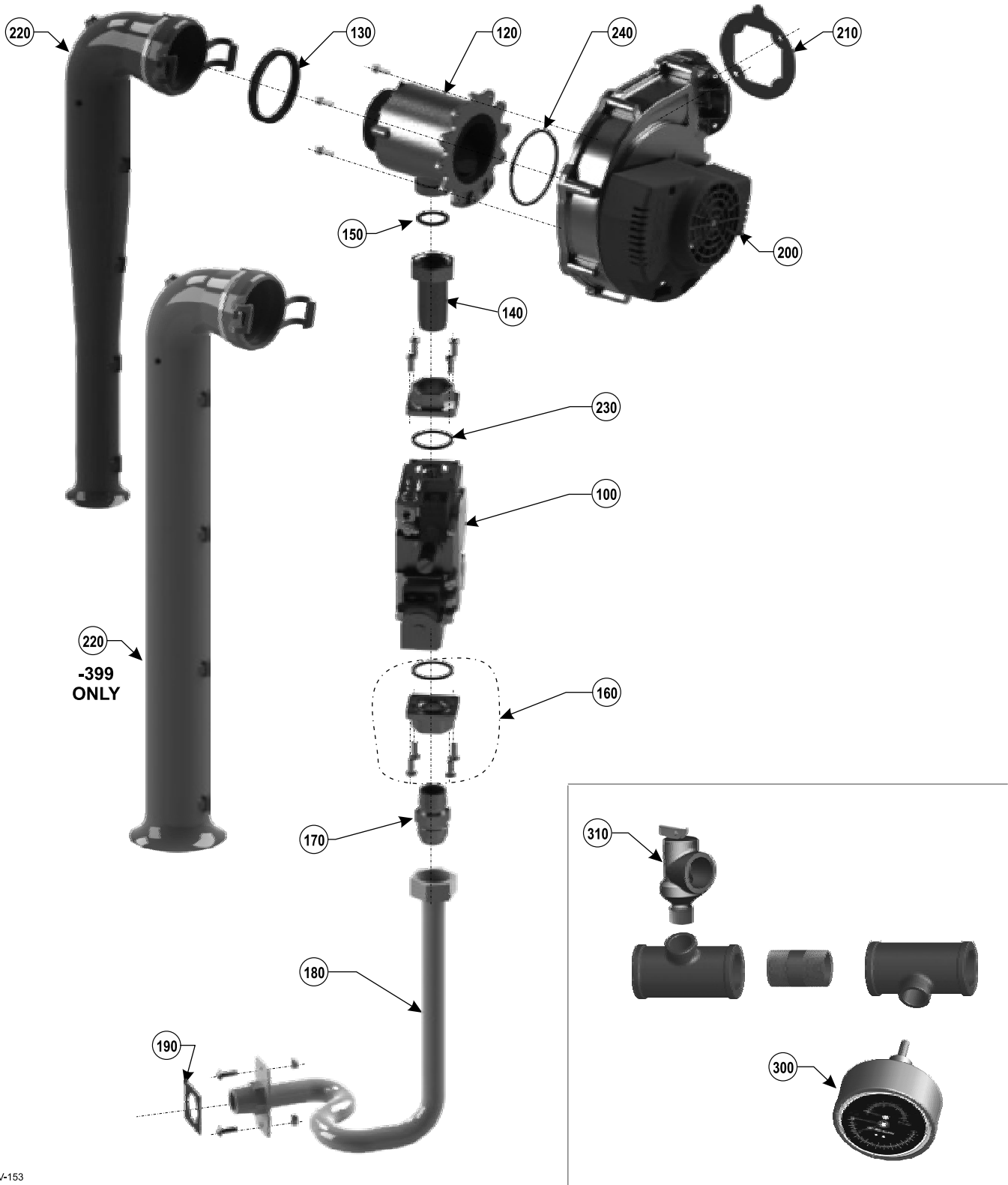
**LWCO**  
(Standard Equipment)



**Evergreen**  
**Controls / Electrical Parts - 220/299/300/399**

| Item | Part Number | Description/Contents  | Model |
|------|-------------|---|-------|
| 90   | 590-318-011 | Flue Temperature Sensor Grommet   | All   |
| 100  | 383-500-600 | Flue Temperature Sensor and Grommet   | All   |
| 110  | 510-312-218 | Outdoor Temperature Sensor  | All   |
| 120  | 383-500-601 | System Temperature Sensor - ( 2 Required)   | All   |
| 130  | 511-100-005 | Low Water Cutoff  | All   |
| 140  | 511-802-011 | Transformer - 120/24 Volt, 50-60 Htz  | All   |
| 150  | 381-330-020 | Ignition Control Module   | All   |
| 160  | 511-624-645 | On/Off Power Switch - Rated At 20 Amps  | All   |
| 170  | 383-900-089 | Comm Circuit Board  | All   |
| 180  | 383-900-078 | Display Board Assembly  | All   |
| 190  | 383-900-079 | Control Tray - (Includes Gaskets and Hardware)  | All   |
| 200  | 383-900-029 | Control Tray Cover - (Includes Gaskets and Hardware)  | All   |
| 210  | 383-900-050 | Control Tray Cover Gasket   | All   |
| 220  | 383-900-046 | Control Tray Gasket Kit - (Includes Items 210, and 230)   | All   |
| 230  | 383-900-047 | Control Tray Display Gasket   | All   |
| 240  | 591-491-217 | Inspection Window Plug  | All   |
| N/S  | 383-900-081 | Fuse, F1, 3 Amp, 120vac, Fast Blow ATO - (5 Fuses) ( For Boiler Circulator)                                 | All   |
|      | 383-500-603 | Fuse, F2, 3 Amp, 32vac, Fast Blow ATO - (5 Fuses) ( For Low Voltage Circuit)                                | All   |
|      | 383-500-604 | Fuse, F3, 12 Amp, 250vac, Fast Blow ATO - (5 Fuses) ( For Line Voltage Circuit)                             | All   |
|      | 591-392-007 | High Voltage Wire Harness -   | All   |
|      | 591-392-008 | Low Voltage Wire Harness  | All   |
|      | 591-392-009 | Communication Ethernet Wire Harness   | All   |
|      | 591-392-010 | Low Voltage Com. Board Wire Harness   | All   |
|      | 591-392-011 | Blower Wire Harness   | All   |
|      | 383-500-633 | Control/Display Comm. Wire Harness  | All   |
|      | 383-500-638 | Wire Harness - With Receptacle and Safety Cap   | All   |
|      | 591-392-012 | Ignition Cable  | All   |
|      | 383-900-083 | Terminal Block Kit - (Includes 1 High Voltage Terminal Block, Low Voltage Terminal Blocks, and Screwdriver) | All   |
|      | 383-900-098 | Cover Ground Terminal Kit   | All   |
| 370  | 590-318-107 | Gasket - Display Support  | All   |

# Evergreen Piping - 220/299/300/399



GAS

EV-153

Evergreen  
Piping Parts - 220/299/300/399

| Fig. No. | Part Number | Description   | Model |         |     |
|----------|-------------|---|-------|---------|-----|
|          |             |   | 220   | 299/300 | 399 |
| 100      | 383-900-027 | Gas Valve - (Includes Gas Valve, Gasket, and O-ring)  | •     | •       |     |
|          | 383-900-061 |   |       |         | •   |
| 120      | 383-900-054 | Venturi - <b>NATURAL GAS ONLY</b> - (Includes Items 130, 150, and 240)  | •     |         |     |
|          | 383-900-055 |   |       | •       |     |
|          | 383-900-056 |   |       |         | •   |
|          | 540-202-840 | Venturi - <b>PROPANE GAS ONLY</b> - (Includes Items 130, 150, and 240)  | •     |         |     |
|          | 540-202-841 |   |       | •       |     |
|          | 540-202-842 |   |       |         | •   |
| 130      | 590-318-103 | Silencer Gasket - (Gasket Between Venturi and Silencer)   | •     | •       | •   |
| 140      | 562-302-584 | Adapter Gas Pipe - ¾" N.P.T - (Between Gas Valve and Venturi)   | •     | •       | •   |
| 150      | 562-248-765 | Gas Pipe Gasket - (Between Adapter and Venturi)   | •     | •       | •   |
| 160      | 383-900-026 | Gas Valve Adapter Block - (Includes Threaded Block, O-ring, and Screws) 2 Required                              | •     | •       | •   |
| 170      | 562-302-583 | Gas Flex Line Adapter - (Between Gas Valve and Gas Line)  | •     | •       | •   |
| 180      | 560-907-766 | Gas Line - (Gas Line Between Gas Valve and Cabinet)   | •     | •       | •   |
| 190      | 590-318-085 | Gas Line Gasket - (Gas Line Seal To Cabinet)  | •     | •       | •   |
| 200      | 383-900-039 | Blower - (Complete With Control)  | •     | •       | •   |
| 210      | 383-900-036 | Blower Gasket - (Blower To Cover Plate Seal)  | •     | •       | •   |
| 220      | 383-900-034 | Inlet Air Silencer - (Includes Silencer and Gasket)   | •     | •       |     |
|          | 383-900-035 |   |       |         | •   |
| 230      | 590-318-109 | O-ring - Gas Valve - ( 2 Required Per Assembly)   | •     | •       | •   |
| 240      | 590-318-102 | O-ring - Blower - (O-ring Between Blower and Venturi)   | •     | •       | •   |
| 300      | 380-000-000 | Pressure- Temperature Gauge - 60° - 360°F 0-75 PSI, 3⅛ " Dia ¼" NPT, Short Shank, With ¼" x ½" Reducing Bushing | •     | •       | •   |
| 310      | 383-500-095 | Pressure Relief Valve, ASME, 30 PSIG, ¾" Male Inlet, 375 Mbtu/Hr  | •     | •       |     |
|          | 383-900-076 | Pressure Relief Valve, ASME, 30 PSIG, ¾" Male Inlet, 535 Mbtu/Hr  |       |         | •   |
|          | 383-900-082 | Pressure Relief Valve and Gauge Kit, ASME, 80 PSIG, ¾" X ¾" Female Inlet, Gauge - ¼" N.P.T, 0-150 PSI           | •     | •       | •   |

**Evergreen**  
**Miscellaneous Parts And Kits - 220/299/300/399**

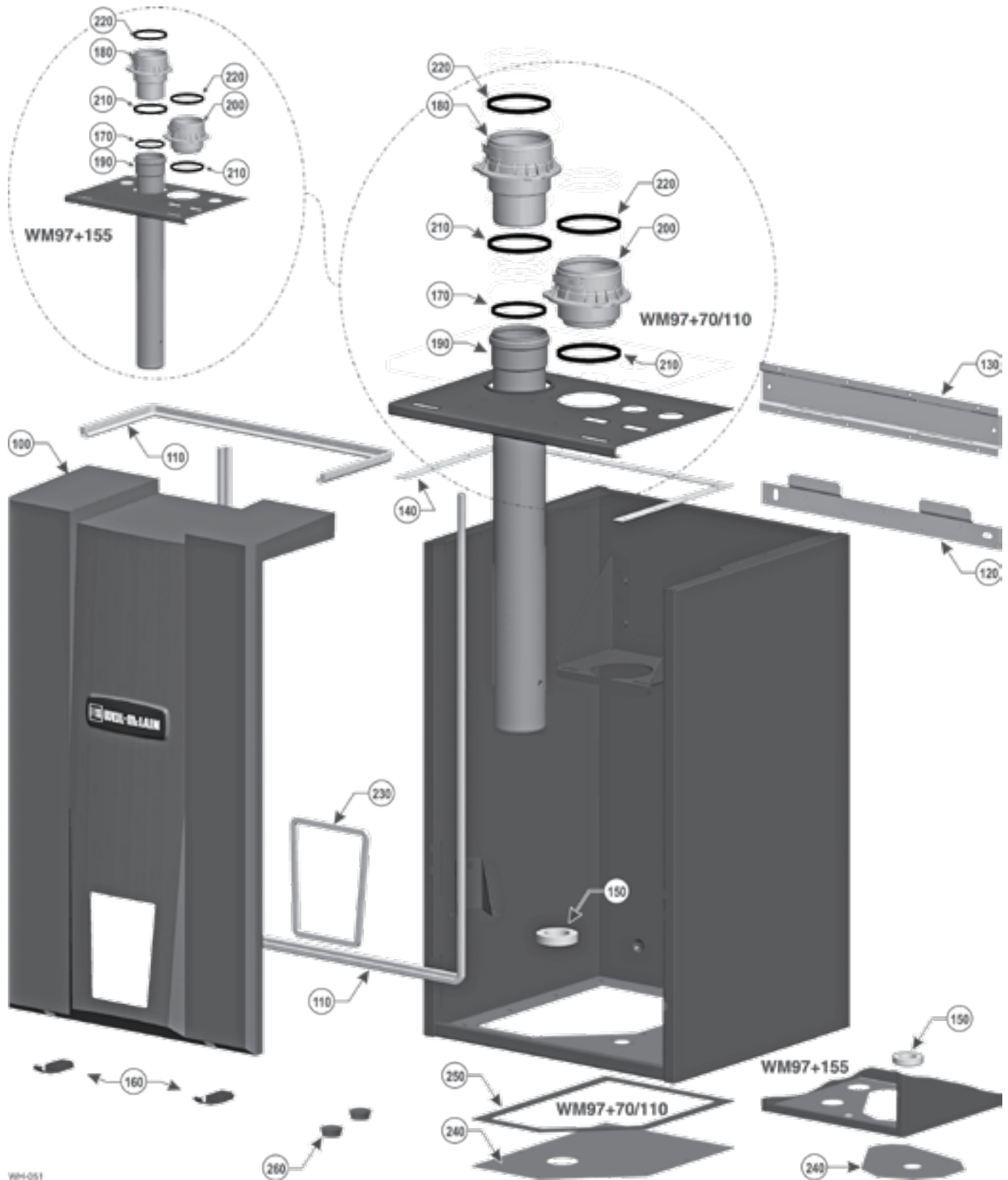
| Fig No.                                       | Part No.    | Description  |
|---|-------------|--|
| <b>Chemicals</b>                              |             |  |
| N/S   | 592-900-029 | Antifreeze, Sentinel X500 - ( 1 Gallon)  |
|   | 592-900-006 | Antifreeze, Sentinel X500 - ( 5 Gallon)  |
|   | 592-900-002 | Corrosion Inhibitor, Sentinel X100   |
|   | 592-900-005 | Sentinel X100 Quick Test Kit   |
|   | 592-900-003 | Cleaner, Sentinel X400   |
| <b>Boiler Accessories</b>                     |             |  |
| N/S   | 383-900-097 | Evergreen Inspection Kit - (Includes Igniter Gasket, Flame Sense Gasket, Burner Gasket, Burner Access Cover Seal, and Hardware)  |
|   | 383-900-071 | Evergreen 220 Maintenance Kit - (Includes Flame Sense Rod, Flame Sense Gasket, Igniter, Igniter Gasket, Venturi Gasket, Burner Gasket, Cover Plate Gasket, Venturi-Gas Valve O-ring, Refractory, Silicone, Inhibitor Test Kit, Burner Access Cover Seal, and Hardware)     |
|   | 383-900-072 | Evergreen 299/300 Maintenance Kit - (Includes Flame Sense Rod, Flame Sense Gasket, Igniter, Igniter Gasket, Venturi Gasket, Burner Gasket, Cover Plate Gasket, Venturi-Gas Valve O-ring, Refractory, Silicone, Inhibitor Test Kit, Burner Access Cover Seal, and Hardware) |
|   | 383-900-088 | Evergreen 399 Maintenance Kit - (Includes Flame Sense Rod, Flame Sense Gasket, Igniter, Igniter Gasket, Venturi Gasket, Burner Gasket, Cover Plate Gasket, Venturi-Gas Valve O-ring, Refractory, Silicone, Inhibitor Test Kit, Burner Access Cover Seal, and Hardware)     |
|   | 383-900-074 | Wall Mount Kit - (Includes Wall-Mount Bracket, and Hardware)   |
|   | 383-900-082 | Relief Valve - ( 80 PSI, 3/4" N.P.T Female) & Pressure/Temperature Gauge (P/T Gauge - 1/4" N.P.T, 0-150 PSI)   |
|   | 511-724-299 | System Immersion Temperature Sensor Kit - (Includes Sensor, Well, Thermal Paste, And Instructions)   |
|   | 383-600-322 | Modbus Converter To BacNet   |
|   | 383-600-332 | Modbus Converter To Lonworks   |
| <b>Condensate Handling Accessories</b>        |             |  |
| N/S   | 383-500-631 | Condensate Neutralizer Kit   |
|   | 540-131-075 | Condensate Drain Trap - (Includes Trap, Clamp, Gasket, and PVC Fittings) <b>220 ONLY</b>   |
|   | 540-131-076 | Condensate Drain Trap - (Includes Trap, Clamp, Gasket, and PVC Fittings) <b>299/300/399</b>  |
| <b>Natural Gas To Propane Conversion Kits</b> |             |  |
|   | 540-202-840 | Kit Includes Propane Venturi, Gasket, Hardware, And Instructions - <b>Evergreen-220</b>  |
|   | 540-202-841 | Kit Includes Propane Venturi, Gasket, Hardware, And Instructions - <b>Evergreen-299/300</b>  |
|   | 540-202-842 | Kit Includes Propane Venturi, Gasket, Hardware, And Instructions - <b>Evergreen-399</b>  |
| <b>Propane To Natural Gas Conversion Kits</b> |             |  |
|   | 383-900-054 | Kit Includes Natural Gas Venturi, Gasket, Hardware, And Instructions - <b>Evergreen-220</b>  |
|   | 383-900-055 | Kit Includes Natural Gas Venturi, Gasket, Hardware, And Instructions - <b>Evergreen-299/300</b>  |
|   | 383-900-056 | Kit Includes Natural Gas Venturi, Gasket, Hardware, And Instructions - <b>Evergreen-399</b>  |

GAS

Evergreen  
Miscellaneous Parts And Kits - 220/299/300/399

| <b>Vent/Air Parts and Kits</b>  |   |
|---|---|
| 383-500-397   | Weil-McLain Sidewall Vent/Air Cap Termination Kit For 3" PVC vent And Air Pipes - (Includes W-M Sidewall Vent/Air Termination Cap, Inside And Outside Cover Plates, And Mounting Hardware) <b>Evergreen 220</b>                   |
| 383-500-398   | Weil-McLain Sidewall Vent/Air Cap Termination Kit For 4" PVC vent And Air Pipes - (Includes W-M Sidewall Vent/Air Termination Cap, Inside And Outside Cover Plates, And Mounting Hardware) <b>Evergreen 220,299,300 &amp; 399</b> |
| 383-500-100   | Sidewall Separate Pipes Vent/Air Termination Kit - (Includes 2 Cover Plates) For 3"or 4" PVC  |
| 383-500-350   | PVC Concentric Vent Kit - (Includes Components For Vertical Or Horizontal Assembly) For 3"  |
| 383-900-075   | PVC Concentric Vent Kit - (Includes Components For Vertical Or Horizontal Assembly) For 4"  |
| 196006  | IPEX PVC Concentric Vent Kits - Available From IPEX - (20" Length) For 3" PVC   |
| 196106  | IPEX PVC Concentric Vent Kits - Available From IPEX - (32" Length) For 3" PVC   |
| 196116  | IPEX PVC Concentric Vent Kits - Available From IPEX - (44" Length) For 3" PVC   |
| 196021  | IPEX PVC Concentric Vent Kits - Available From IPEX - For 4" PVC  |
| 3PPS-VKL  | M&G Simpson-Duravent PolyPro Vertical Concentric Vent/Air Kit; Color = Black-(VK Suffix) Or Terra Cotta-(TC Suffix) - (3" Polypropylene Pipe)   |
| 4PPS-VKL  | M&G Simpson-Duravent PolyPro Vertical Concentric Vent/Air Kit; Color = Black-(VK Suffix) Or Terra Cotta-(TC Suffix) - (4" Polypropylene Pipe)   |
| ICRT3539  | Centrotherm INNOFLUE VERTICAL Concentric Vent Air Kit - (3" Polypropylene Pipe)   |
| ICRT4679  | Centrotherm INNOFLUE VERTICAL Concentric Vent Air Kit - (4" Polypropylene Pipe)   |
| 4PPS-04PVCM-4PPF  | M&G Simpson-Duravent Polypropylene Appliance Adapter - For 4" Polypropylene Pipe  |
| ISAAL040Y   | Centrotherm INNOFLUE Polypropylene Appliance Adapter - For 4" Polypropylene Pipe  |
| 383-500-105   | Bird Screen For 3" PVC Vent/Air Pipes - (2 Required)  |
| 383-500-110   | Bird Screen For 4" PVC Vent/Air Pipes - (2 Required)  |
| <b>Notice: For AL29-4C Stainless Steel Vent Applications</b>  |   |
| Installer Must Supply PVC Transition Piece At Boiler Vent Connection, Supplied By Vent Manufacturer |   |

WM97+, WM97+CT+, WM97+ Series 2  
Jackets -70/110/155



GAS

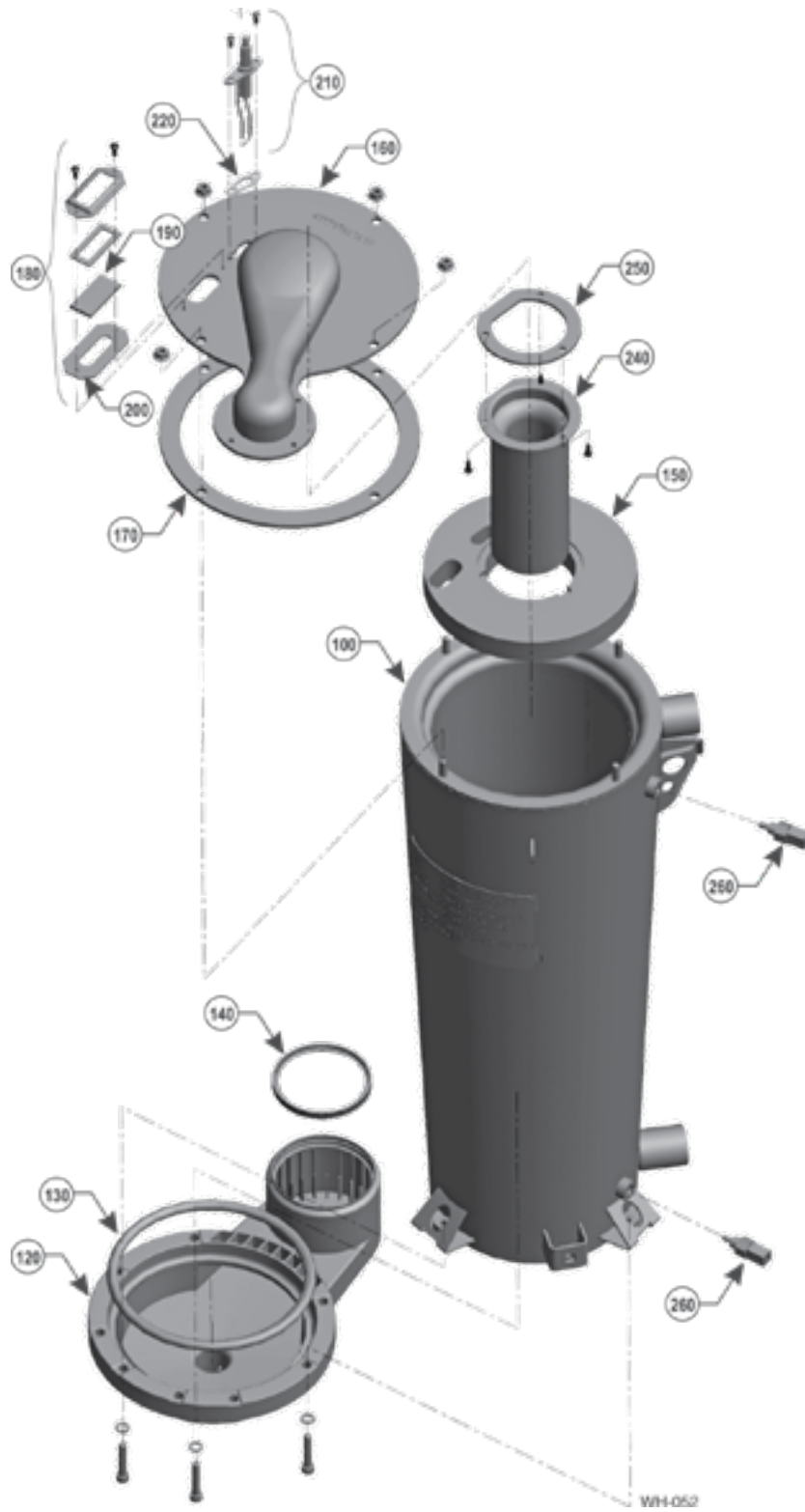
WM-051

**WM97+, WM97+CT+, WM97+ Series 2  
Jacket Parts - 70/110/155**

| Fig. No. | Part Number | Description  | Model |     |     |
|----------|-------------|--|-------|-----|-----|
|          |             |  | 70    | 110 | 155 |
| 100      | 383-700-250 | Front Door, Seals, Logo, and Labels  | •     | •   | •   |
| 110      | 383-700-117 | Seals For Front Door To Jacket   | •     | •   | •   |
| 120      | 383-700-118 | Wall-Mount Bracket and Hardware - (Wall Side)                                      | •     | •   | •   |
| 130      | 383-700-119 | Wall-Mount Bracket and Hardware - (Boiler Side)                                    | •     | •   | •   |
| 140      | 383-700-120 | Gaskets - Top Panel To Cabinet - (Riveted Top)                                     | •     | •   |     |
|          | 383-700-188 | Gaskets - Top Panel To Cabinet - (Screwed Top)                                     | •     | •   | •   |
| 150      | 383-700-121 | Gasket - Condensate Trap To Bottom Panel   | •     | •   | •   |
| 160      | 383-700-251 | Door Latch and Hardware - <b>Series 2</b>  | •     | •   | •   |
|          | 383-700-122 | Door Latch and Hardware - <b>Series 1</b>  |       |     |     |
| 170      | 590-318-051 | Gasket - Internal Flue Pipe To Adapter - (Fits Inner Diameter of Boiler Flue Pipe) | •     | •   | •   |
| 180      | 560-907-719 | Top Flue Pipe Adapter With Internal Gasket   | •     | •   | •   |
| 190      | 560-907-720 | Boiler Internal Flue Pipe and Gasket   | •     | •   | •   |
| 200      | 560-907-718 | Top Air Inlet Adapter With Internal Gasket   | •     | •   | •   |
| 210      | 590-300-031 | Gasket - Flue Adapter To Cabinet   | •     | •   | •   |
| 220      | 590-318-052 | Gasket - Pipe Adapter To System Pipe - (Fits Inner Diameter of Top Adapter)        | •     | •   | •   |
| 230      | 590-300-028 | Front Door To Display Seal - One seal (Attached to Control Housing)                | •     | •   | •   |
| 240      | 383-700-252 | Jacket Bottom Access Panel Kit - Includes Panel, Item 250, and Screws)             | •     | •   |     |
|          | 383-700-253 |  |       |     | •   |
| 250      | 590-318-059 | Bottom Access Panel Gasket   | •     | •   |     |
| 260      | 561-444-190 | CWH Wire Harness Opening Plug  | •     | •   | •   |
| N/S      | 592-002-033 | Touch Up Paint - Black - Low-E, 4.5 oz Can   | •     | •   | •   |
|          | 383-700-238 | Condensate Bracket Kit - (Includes Bracket, and Two Plastic Rivets)                | •     | •   |     |
|          | 383-700-239 |  |       |     | •   |

GAS

WM97+, WM97+CT+, WM97+ Series 2  
Heat Exchanger Assembly - 70 - Series 1 & 2  
110 - Series 1



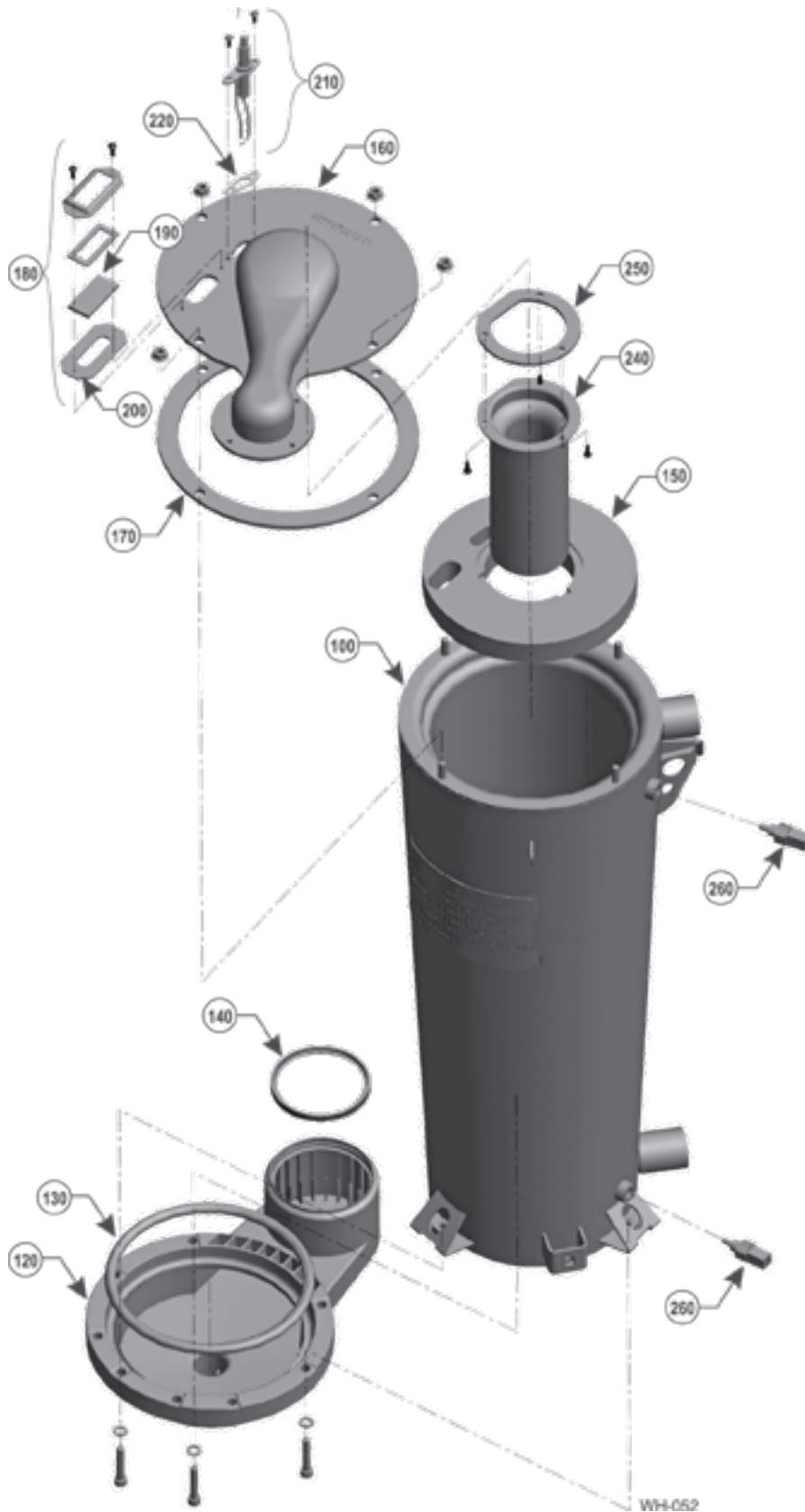
GAS



**WM97+, WM97+CT+, WM97+ Series 2  
Heat Exchanger Parts - 70/110**

| Item | Part Number | Description / contents  |
|------|-------------|---|
|      | 383-700-254 | Heat Exchanger - Only - Model 70 - <b>Series 1 &amp; 2</b> , 110 - <b>Series 1 ONLY</b>   |
|      | 383-700-101 | Heat Exchanger Complete - (Includes Condensate Dish, Cover Plate, Burner, Igniter, Sight Glass, Refractory, Water Sensors, Gaskets, Silicone, and Hardware) - Model 70 - <b>Series 1 &amp; 2</b> , Model 110 - <b>Series 1 ONLY</b> |
| 120  | 383-700-102 | Condensate Dish, Gaskets, and Hardware - <b>Series 1 &amp; 2</b>  |
| 140  | 383-700-104 | Gasket To Seal Condensate Dish To Internal Flue Pipe - <b>Series 1 &amp; 2</b>  |
| 150  | 383-700-105 | Refractory Insulation & Silicone Sealant - <b>70 Series 1 &amp; 2, 110 - Series 1 ONLY</b>  |
| 160  | 383-700-108 | Heat Exchanger Cover Plate - (Includes Cover Plate, Refractory, Silicone, and Gaskets) - <b>70 Series 1 &amp; 2, 110 - Series 1 ONLY</b>  |
| 170  | 383-700-109 | Gasket - Heat Exchanger To Cover Plate - <b>Series 1 &amp; 2</b>  |
| 180  | 383-700-185 | Sight Glass Kit - (Includes Bracket, Glass, Gaskets, and Hardware) - <b>Series 1 &amp; 2</b>  |
| 190  | 591-419-202 | Sight Glass - <b>Series 1 &amp; 2</b>   |
| 200  | 383-700-112 | Sight Glass Gaskets - Upper and Lower - <b>Series 1 &amp; 2</b>   |
| 210  | 383-700-113 | Igniter Kit - (Includes Igniter, Gasket and Screws) - <b>70 Series 1 &amp; 2, 110 - Series 1 ONLY</b>   |
| 220  | 590-300-034 | Igniter To Cover Plate Gasket - <b>Series 1 &amp; 2</b>   |
| N/S  | 590-318-008 | Spark Suppressor For Igniter - <b>Series 1 &amp; 2</b>  |
| 240  | 383-700-106 | Burner - (Includes Burner, Gasket, and Hardware) - <b>70 Series 1 &amp; 2, 110 - Series 1 ONLY</b>  |
| 250  | 383-700-107 | Burner Gasket - <b>70 Series 1 &amp; 2, 110 - Series 1 ONLY</b>   |
| 260  | 511-724-296 | Heat Exchanger Water Temperature Sensor - One Sensor (For Either Boiler Inlet or Outlet Water Sensor) - <b>Series 1 &amp; 2</b>   |

WM97+ Model 110 - Series 2 Only  
Heat Exchanger Assembly



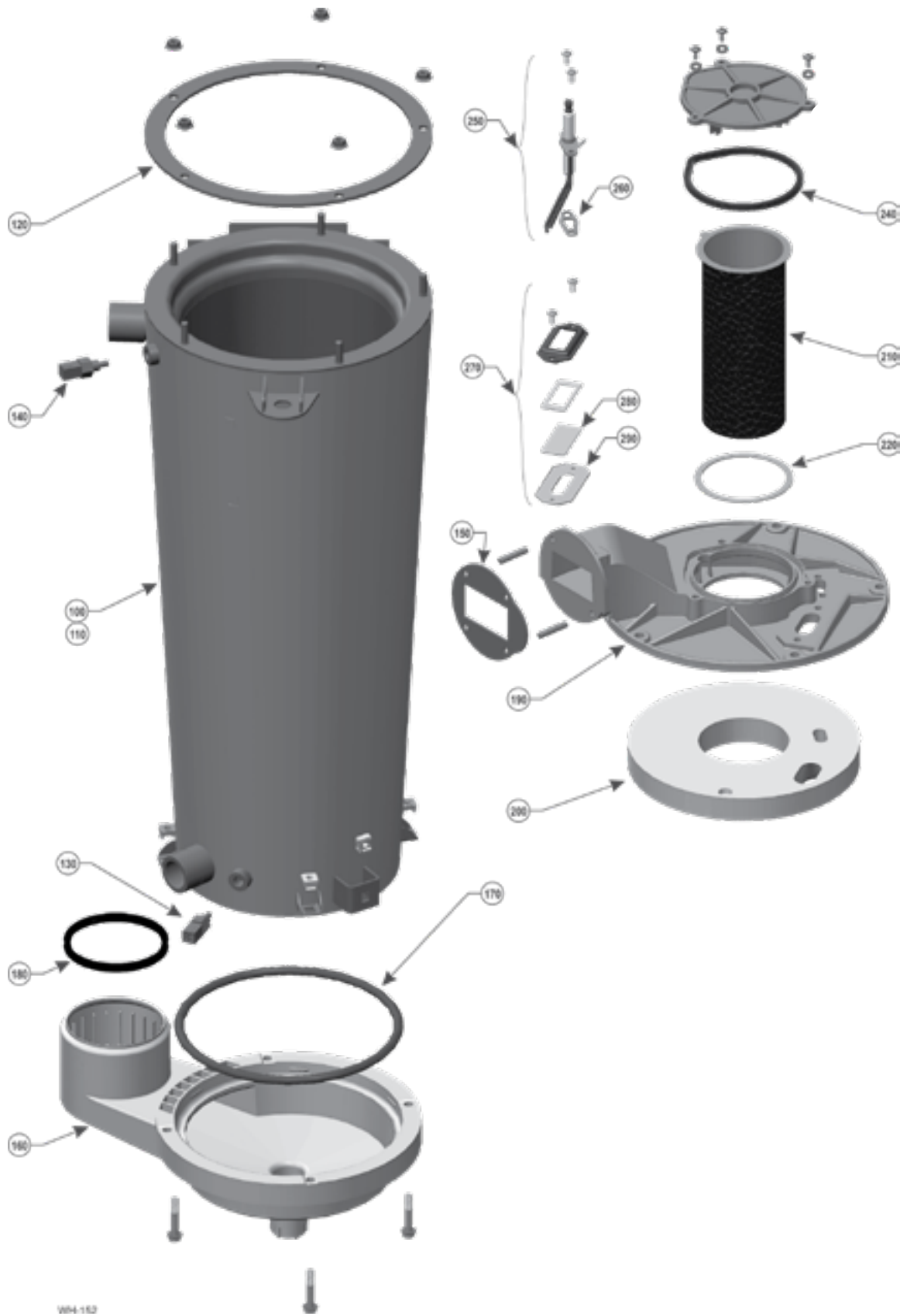
GAS

**WM97+ Model 110 - Series 2 Only**  
**Heat Exchanger Assembly**

| Item | Part Number | Description / contents  |
|------|-------------|---|
| 100  | 383-700-255 | Heat Exchanger - Only - Model 110   |
| N/S  | 383-700-256 | Heat Exchanger Complete - (Includes Condensate Dish, Cover Plate, Burner, Igniter, Sight Glass, Refractory, Water Sensors, Gaskets, Silicone, and Hardware) - |
| 150  | 383-700-244 | Refractory Insulation & Silicone Sealant  |
| 160  | 383-700-258 | Heat Exchanger Cover Plate - (Includes Cover Plate, Refractory, Silicone, and Gaskets)  |
| 210  | 383-700-245 | Igniter Kit - (Includes Igniter, Gasket and Screws)   |
| 240  | 383-700-246 | Burner - (Includes Burner, Gasket, and Hardware)  |
| 250  | 383-700-247 | Burner Gasket   |

**NOTICE: ALL OTHER HEAT EXCHANGER PARTS ARE THE SAME FOR SERIES 1 AND 2**

WM97+, WM97+CT  
Heat Exchanger Assembly - 155  
Series 1 & 2

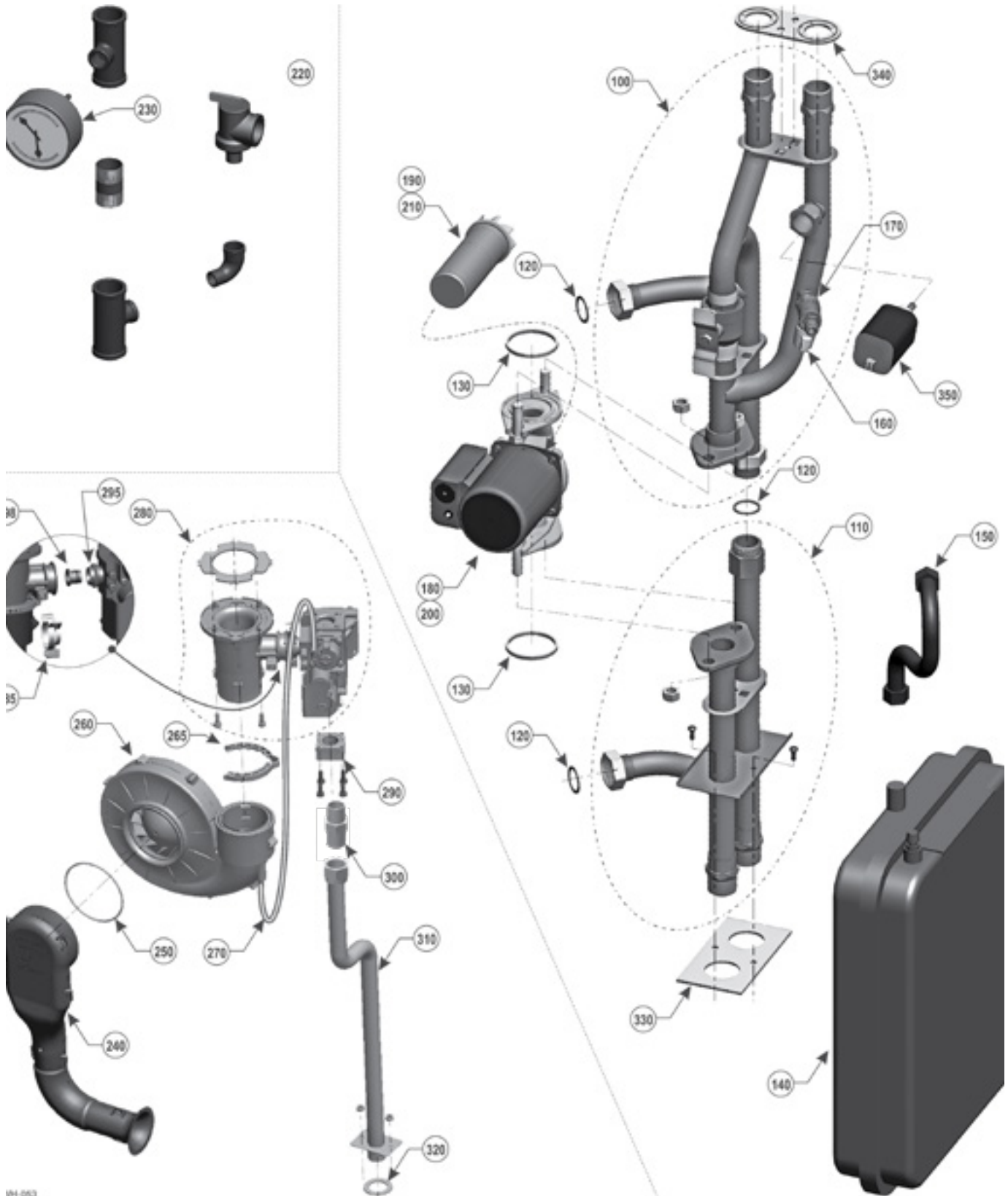


WM4-153

**WM97+, WM97+CT  
Heat Exchanger Parts - 155  
Series 1 & 2**

| Item       | Part Number | Description / contents  |
|------------|-------------|---|
| 100        | 383-700-197 | Heat Exchanger - Only   |
| N/S        | 383-700-198 | Heat Exchanger With Condensate Dish Assembled - (Includes Condensate Dish, and Condensate Dish Gaskets, Temperature Sensors (2), and Hardware)              |
| 110        | 383-700-180 | Heat Exchanger Complete - (Includes Condensate Dish, Cover Plate, Burner, Igniter, Sight Glass, Refractory, Water Sensors, Gaskets, Silicone, and Hardware) |
| 120        | 590-318-054 | Gasket - Heat Exchanger To Cover Plate  |
| 130<br>140 | 511-724-296 | Heat Exchanger Water Temperature Sensor - One Sensor (For Either Boiler Inlet or Outlet Water Sensor)   |
| 150        | 590-318-006 | Blower Gasket   |
| 160        | 383-700-181 | Condensate Dish, Gaskets, and Hardware  |
| 170        | 590-300-039 | Gasket To Seal Heat Exchanger To Condensate Dish  |
| 180        | 383-700-104 | Gasket To Seal Condensate Dish To Internal Flue Pipe  |
| 190        | 383-700-184 | Heat Exchanger Cover Plate - (Includes Cover Plate, Refractory, Silicone, and Gaskets)  |
| 200        | 383-700-182 | Refractory Insulation & Silicone Sealant  |
| 210        | 383-700-183 | Burner - (Includes Burner, Gasket, and Hardware)  |
| 220        | 383-700-208 | Burner Gasket   |
| N/S        | 383-700-202 | Burner Access Cover - (Includes Access Cover, Gasket, and Hardware)   |
| 240        | 590-318-053 | Burner Access Cover Gasket  |
| 250        | 383-700-187 | Igniter Kit - (Includes Igniter, Gasket and Screws)   |
| 260        | 590-300-034 | Igniter To Cover Plate Gasket   |
| 270        | 383-700-185 | Sight Glass Kit - (Includes Bracket, Glass, Gaskets, and Hardware)  |
| 280        | 591-419-202 | Sight Glass   |
| 290        | 383-700-112 | Sight Glass Gaskets - Upper and Lower   |
| N/S        | 590-318-008 | Spark Suppressor For Igniter  |

# WM97+, WM97+CT Piping - 70/110

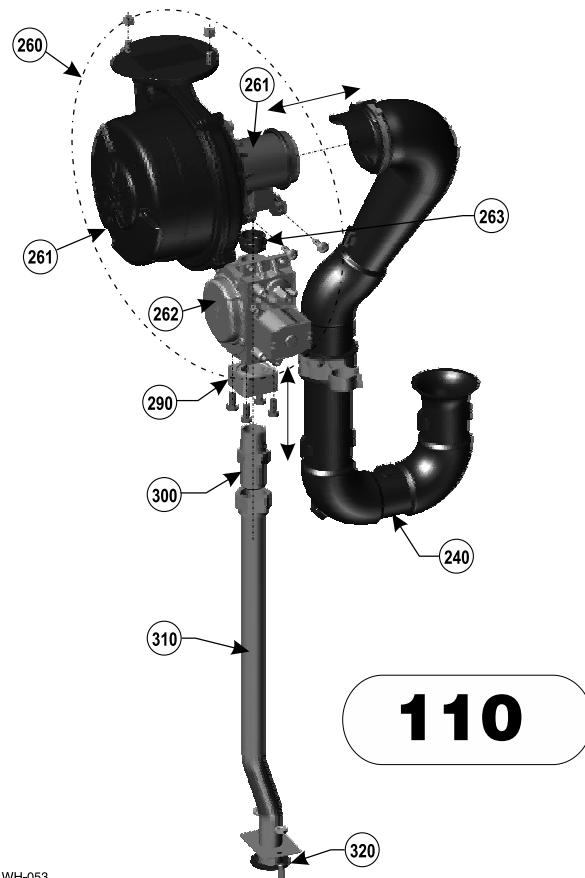


GAS

## WM97+, WM97+CT Piping Parts - 70/110

| Item | Part Number | Description / contents  | 70 Series<br>1 & 2 | 110 Series<br>1 | 110 Series<br>2 |
|------|-------------|---|--------------------|-----------------|-----------------|
| 100  | 383-700-144 | Upper Pipe Assembly and Gaskets (1 pump, 2 water)   | •                  | •               | •               |
| 110  | 383-700-145 | Lower Pipe Assembly and Gaskets (1 pump, 2 water)   | •                  | •               | •               |
| 120  | 590-300-036 | Gaskets - To Seal Pipe To Heat Exchanger or Upper Pipe To Lower Pipe  | •                  | •               | •               |
| 130  | 590-317-543 | Pump Gasket To Seal Pump Flange To Pipe Flange  | •                  | •               | •               |
| 140  | 383-700-148 | 12 Liter (3.2 gallons) Expansion Tank - Pre-Charged To 12 PSI   | •                  | •               | •               |
| 150  | 560-900-022 | Expansion Tank Line - Flared Fitting Stainless Steel Flex Line  | •                  | •               | •               |
| 160  | 511-246-399 | Expansion Tank Shutoff Valve - Female N.P.T To Flare Manual Ball Valve  | •                  | •               | •               |
| 170  | 562-302-577 | Female N.P.T To Male Flare  | •                  | •               | •               |
| 180  | 383-700-152 | Taco 007 & Gaskets  | •                  |                 |                 |
| 190  | 511-405-142 | Replacement Cartridge For Wet-Rotor 007 Circulator  | •                  |                 |                 |
| 200  | 383-700-153 | Taco 0015 & Gaskets   |                    | •               | •               |
| 210  | 511-405-143 | Replacement Cartridge For Wet-Rotor 0015 Circulator   |                    | •               | •               |
| 220  | 383-500-095 | Pressure Relief Valve, ASME 30 PSI, 3/4" N.P.T .Male  | •                  | •               | •               |
| 230  | 380-000-000 | Combination Pressure-Temperature Gauge, 3" Dia., 0-75 PSIG, 60-320°F, Short Shank, Back Connection, 1/4" N.P.T. | •                  | •               | •               |
| 240  | 383-700-155 | Air Inlet Silencer  | •                  | •               |                 |
| 250  | 590-318-049 | Air Silencer O-ring   | •                  | •               |                 |
| 260  | 383-700-157 | Blower & Clip   | •                  | •               |                 |
| 265  | 562-650-115 | Blower Retainer Clip  | •                  | •               |                 |
| 270  | 590-300-001 | Reference Tube To Connect Blower To Gas Valve   | •                  | •               |                 |
| 280  | 383-700-159 | Gas Valve, Venturi (027), Gasket, O-ring, Clip, and Screws  | •                  |                 |                 |
|      | 383-700-160 | Gas Valve, Venturi (040), Gasket, O-ring, Clip, and Screws  |                    | •               |                 |
| 285  | 562-650-116 | Gas Valve Retainer Clip   | •                  | •               |                 |
| 290  | 563-910-031 | Gas Valve Adapter Block - (Includes Block, O-ring, and Screws)  | •                  | •               | •               |
| 295  | 590-318-045 | Gas Valve Outlet O-ring   | •                  | •               |                 |
| 300  | 562-302-576 | Gas Flex Line Adapter - N.P.T To Flare Adapter  | •                  | •               | •               |
| 310  | 383-700-163 | Gas flex Line - (Includes Gas Line, Seal, and Hardware)   | •                  | •               |                 |
| 320  | 590-300-027 | Gasket - Gas Flex Line To Cabinet   | •                  | •               | •               |
| 330  | 590-300-037 | Gasket - Lower Pipe To Cabinet  | •                  | •               | •               |
| 340  | 590-318-050 | Gasket - Upper Pipe To Cabinet  | •                  | •               | •               |
| 350  | 383-600-069 | Low Water Cutoff - (Taco-LTR024HV, Or Hydrolevel-45-1100)   | •                  | •               | •               |

# WM97+ Model 110 - Series 2 Only Piping Parts



GAS

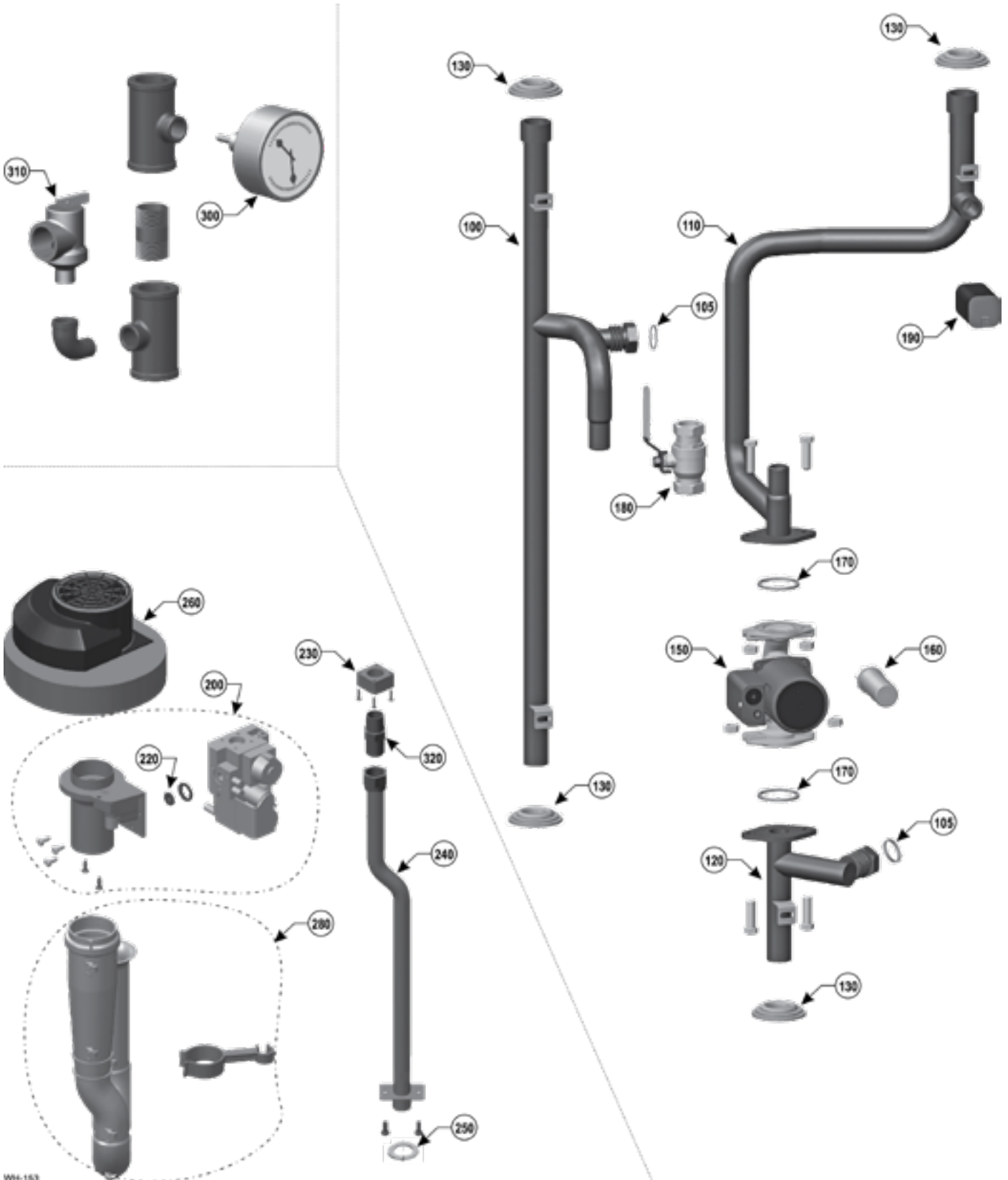


**WM97+ Model 110 - Series 2 Only**  
**Piping Parts**

| Item | Part Number | Description / contents                                       | Model - 110 |
|------|-------------|--|-------------|
| 240  | 383-700-248 | Air Inlet Silencer   | •           |
| 250  | 590-318-115 | Air Inlet Silencer O-ring                                    | •           |
| 260  | 383-700-249 | Blower/Gas Valve/Venturi - (Includes Gaskets , and Hardware) | •           |
| 261  | 383-700-260 | Blower/Venturi - (Includes Gaskets , and Hardware)           | •           |
| 262  | 383-700-259 | Gas Valve - (Includes Gaskets, and Hardware)                 | •           |
| 263  | 383-700-261 | Rubber Boot - Gas Valve - Venturi                            | •           |
| 310  | 383-700-257 | Gas flex Line - (Includes Gas Line, Seal, and Hardware)      | •           |

**NOTICE: ALL OTHER PIPING PARTS REMAIN THE SAME FOR SERIES 1 AND 2.**

WM97+, WM97+CT  
Piping - 155



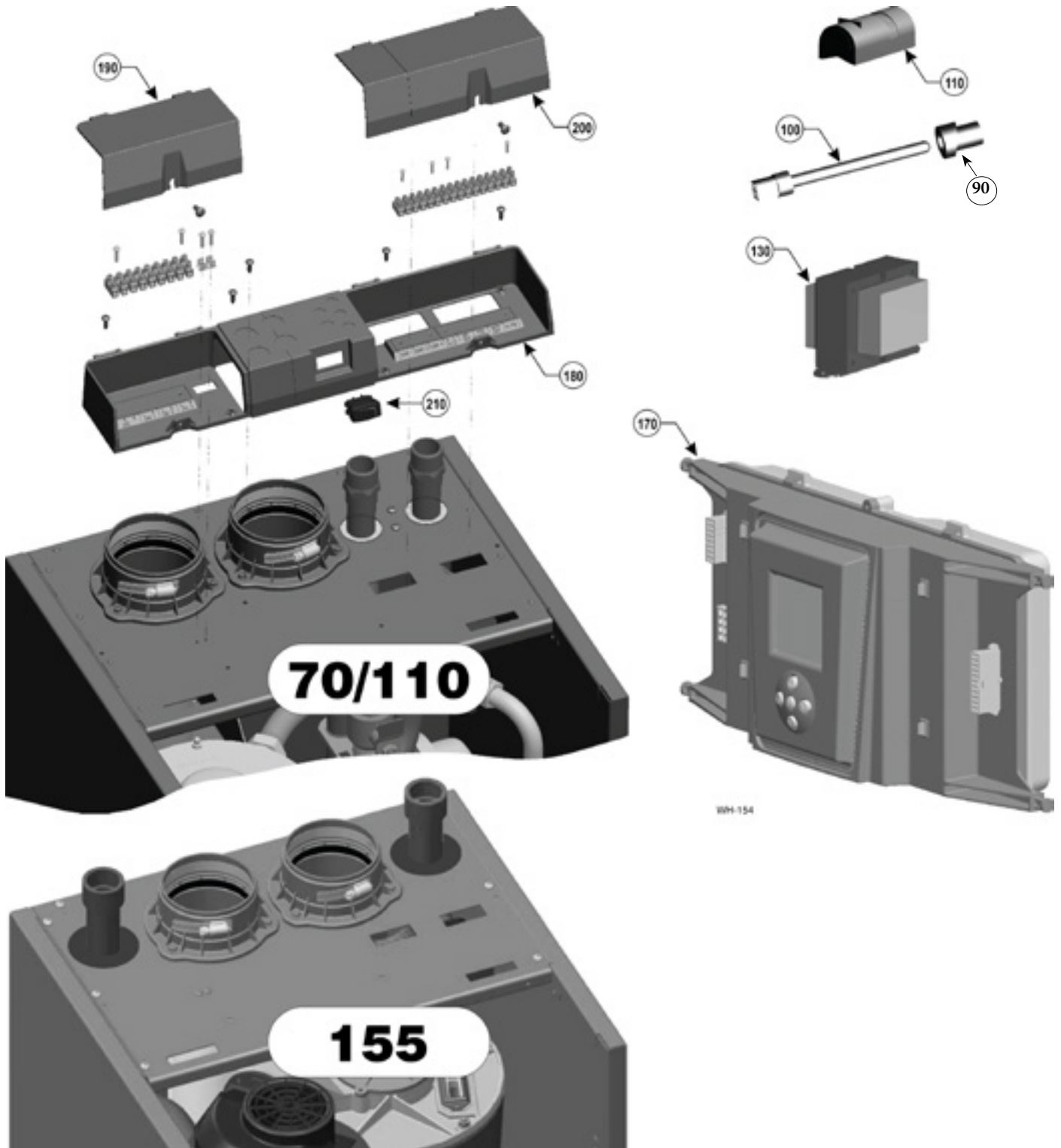
GAS

WM-153

**WM97+, WM97+CT  
Piping Parts - 155**

| Item | Part Number | Description / contents  |
|------|-------------|---|
| 100  | 383-700-193 | Boiler Supply Manifold With Hardware  |
| 105  | 590-300-036 | Boiler Supply and Return Gaskets  |
| 110  | 383-700-192 | Boiler Upper Return Manifold With Hardware  |
| 120  | 383-700-191 | Boiler Lower Return Manifold With Hardware  |
| 130  | 562-248-740 | Water Line Sealing Grommets   |
| 150  | 383-700-194 | Boiler Circulator - Taco 0015 (With Rotated Flange)   |
| 160  | 511-405-143 | Circulator Replacement Cartridge - For Taco 0015  |
| 170  | 590-317-543 | Circulator Gasket   |
| 180  | 511-246-400 | Internal Primary/Secondary By-Pass Valve  |
| 190  | 383-600-069 | Low Water Cutoff  |
| 200  | 383-700-196 | Gas Valve - (Includes Gas Valve, Venturi, Gasket, and Hardware)   |
| 230  | 563-910-031 | Gas Valve Adapter Block with O-ring and Screws  |
| 240  | 383-700-163 | Gas flex Line - (Includes Gas Line, Seal, and Hardware)   |
| 250  | 590-300-027 | Gasket - Gas Flex Line To Cabinet   |
| 260  | 383-700-195 | Blower  |
| 280  | 383-700-203 | Sir Inlet Silencer With Gasket and Clip   |
| 300  | 380-000-000 | Combination Pressure-Temperature Gauge, 3" Dia., 0-75 PSIG, 60-320°F, Short Shank, Back Connection, ¼" N.P.T. |
| 310  | 383-500-095 | Pressure Relief Valve, ASME 30 PSI, ¼" N.P.T .Male  |
| 320  | 562-302-576 | Gas Flex Line Adapter - N.P.T To Flare Adapter  |

WM97+, WM97+CT  
Controls / Electrical Assemblies - 70/110/155

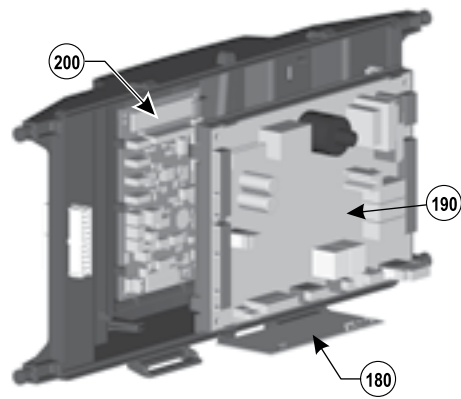
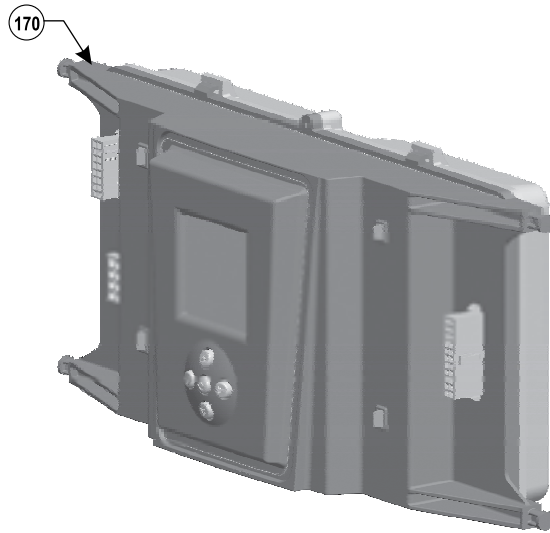


GAS

WM97+, WM97+CT  
Controls / Electrical Parts - 70/110/155

| Item | Part Number | Description / contents  | Model |     |     |
|------|-------------|---|-------|-----|-----|
|      |             |   | 70    | 110 | 155 |
| 90   | 590-318-011 | Flue Temperature Sensor Grommet   | •     | •   | •   |
| 100  | 511-724-292 | Flue Temperature Sensor   | •     | •   | •   |
| 110  | 510-312-218 | Outdoor Temperature Sensor  | •     | •   | •   |
| 130  | 511-802-015 | 50 VA Transformer   | •     | •   | •   |
| N/S  | 591-391-969 | High Voltage Harness, Left Side of Pod - Connects 9 Pin Terminal Strip, Blower, Boiler Circulator, DHW Circulator - <b>Model 70 Series 1 &amp; 2, Model 110 Series 1, Model 155 Series 1 &amp; 2</b>                        | •     | •   |     |
|      | 591-391-993 |   |       |     | •   |
|      | 591-391-968 | Low Voltage Harness - Left Side of Pod - Connects 16 Pin Terminal To Supply/Return Sensors, Gas Valve, Flue Sensor, LWCO, Blower Control - <b>Model 70 Series 1 &amp; 2, Model 110 Series 1, Model 155 Series 1 &amp; 2</b> | •     | •   |     |
|      | 591-391-992 |   |       |     | •   |
|      | 591-391-967 | Low Voltage Harness - Right Side of Pod - Connects 2 Terminal Strips, 10 Pin and 6 Pin, Transformer, DHW Sensor <b>Series 1 &amp; 2 ALL</b>   | •     | •   | •   |
|      | 591-392-012 | Ignition Cable  | •     | •   | •   |
| 170  | 383-700-240 | Control Assembly - (Includes Ignition Control, User Display, Circulator Speed Control, Wire harnesses, Plastic, Gaskets, and label)   | •     | •   | •   |
| 180  | 595-000-033 | Plastic Electrical Enclosures   | •     | •   | •   |
| 190  | 383-700-173 | Line Voltage Lid & Label - Left Side  | •     | •   | •   |
| 200  | 383-700-174 | Low Voltage Lid & Label - Right Side  | •     | •   | •   |
| 210  | 511-624-645 | On/Off Power Switch   | •     | •   | •   |
| N/S  | 383-500-603 | F1-3 Amp, Fast Blow ATO Fuses (5 fuses)   | •     | •   | •   |
|      | 383-500-604 | F2 - 12 Amp, Fast Blow AG Fuses (5 fuses)   | •     | •   | •   |
|      | 591-391-991 | Wire Harness Ground, Ignitor To Jacket  | •     | •   | •   |
|      | 591-391-998 | Wire Harness, CWH Boiler Sensor   | •     | •   | •   |

# WM97+ Series 2 Controls / Electrical Parts



GAS

## WM97+ **Series 2** Controls / Electrical Parts

| Item | Part Number | Description / contents  | 110 |
|------|-------------|---|-----|
| N/S  | 591-392-033 | High Voltage Harness, Left Side of Pod - 9 Pin Terminal Strip, Blower, Boiler Circulator, DHW Circulator                            | •   |
|      | 591-392-032 | Low Voltage Harness - Left Side of Pod - Supply/Return Sensors, Gas Valve, Flue Sensor, LWCO, Blower Control                        | •   |
| 170  | 383-700-240 | Control Assembly - (Includes Ignition Control, User Display, Circulator Speed Control, Wire harnesses, Plastic, Gaskets, and label) | •   |
| 180  | 383-700-176 | Circulator Speed Control Circuit Board  | •   |
| N/S  | 383-700-216 | Wire Harness Control assembly - (Includes 4 Harnesses) - <b>Series 1 &amp; 2 ALL</b>  | •   |

**NOTICE: ALL OTHER CONTROL / ELECTRICAL PARTS ARE THE SAME FOR SERIES 1 AND 2**

WM97+, WM97+CT  
Miscellaneous Parts And Kits - 70/110/155

| Fig No.   | Part No.    | Description  |
|---|-------------|--|
| <b>Chemicals</b>  |             |  |
| N/S   | 592-900-029 | Antifreeze, Sentinel X500 - ( 1 Gallon)  |
|   | 592-900-006 | Antifreeze, Sentinel X500 - ( 5 Gallon)  |
|   | 592-900-002 | Corrosion Inhibitor, Sentinel X100   |
|   | 592-900-005 | Sentinel X100 Quick Test Kit   |
|   | 592-900-003 | Cleaner, Sentinel X400   |
| <b>Boiler Accessories</b>                               |             |  |
| N/S   | 383-700-165 | WM97+ <b>70 Series 1 &amp; 2, 110 Series 1</b> - Maintenance Kit - Includes Igniter, Gaskets-(Igniter, Venturi, and Cover Plate),Venturi-Gas Valve O-ring, Refractory, Silicone, Inhibitor Test Kit, and Clips   |
|   | 383-700-200 | WM97+ <b>155 Series 1 &amp; 2-</b> Maintenance Kit - Includes Igniter, Gaskets-(Igniter, Venturi, and Cover Plate),Venturi-Gas Valve O-ring, Refractory, Silicone, Inhibitor Test Kit, and Clips   |
|   | 383-700-118 | Wall Mount Kit - (Supplied With Boiler) Includes Wall-Mount Bracket, and Hardware  |
|   | 560-907-722 | Condensate Trap Kit - (Supplied With Boiler) Includes Trap Assembly, and Flexible Line   |
|   | 383-800-102 | Adjustable Floor Stand   |
| <b>Condensate Handling Accessories</b>                  |             |  |
| N/S   | 383-500-631 | Condensate Neutralizer Kit   |
| <b>Vent/Air Parts and Kits (PVC or Stainless Steel)</b> |             |  |
| <b>Available From Weil-McLain</b>                       |             |  |
| N/S   | 383-500-397 | Weil-McLain Sidewall Vent/Air Cap Termination Kit for PVC Vent and Air Pipes - (Includes Sidewall Vent/Air Termination Cap, Inside and Outside Cover Plates and Mounting Hardware) Openings are for 3" PVC Pipe (Requires Field Installed 3" X 2" Adapter if Using 2" Vent/Air Pipes                                     |
|   | 382-200-430 | Weil-McLain Sidewall Vent/Air Cap Termination Kit for AL29-4C Vent Pipe and PVC Air Pipe - (Includes Sidewall Vent/Air Termination Cap, Inside and Outside Cover Plates and Mounting Hardware) Openings are for 3" SS Vent Pipe and 3" PVC Air Pipe (Requires Field Installed 3" X 2" Adapter if Using 2" Vent/Air Pipes |
|   | 383-700-171 | Sidewall Separate Pipes Vent/Air termination Kit (Includes 2 Cover Plates) - For 2" PVC Vent and Air pipes   |
|   | 383-500-100 | Sidewall Separate Pipes Vent/Air termination Kit (Includes 2 Cover Plates) - For 3" PVC Vent and Air Pipes   |
|   | 383-700-172 | Sidewall Separate Pipes Vent/Air termination Kit (Includes 2 Cover Plates) - For 3" AL29-4C SS Vent Pipe and 3" PVC Pipe   |
|   | 383-700-167 | PVC Concentric Vent Kit - Horizontal or Vertical - Kit For 2" PVC Vent/Air Pipes   |
|   | 383-500-350 | PVC Concentric Vent Kit - Horizontal or Vertical - Kit For 3" PVC Vent/Air Pipes   |
|   | 560-907-728 | Bird Screen - 2" PVC - Vent/Air Pipes - Includes 1 Screen  |
|   | 383-500-105 | Bird screen - 3" PVC - Vent/Air Pipes - Includes 1 Screen  |
|   | 383-700-235 | Termination Restrictor Kit - (Includes Intake Washer, PVC Restrictor, and Instructions)  |
| <b>Boiler Accessory For Series 2 - Model 110 Only</b>   |             |  |
| N/S   | 383-700-243 | WM97+ <b>110 Series -2 - ONLY</b> - Maintenance Kit - Includes Igniter, Gaskets-(Igniter, Venturi, and Cover Plate),Venturi-Gas Valve O-ring, Refractory, Silicone, Inhibitor Test Kit, and Clips  |

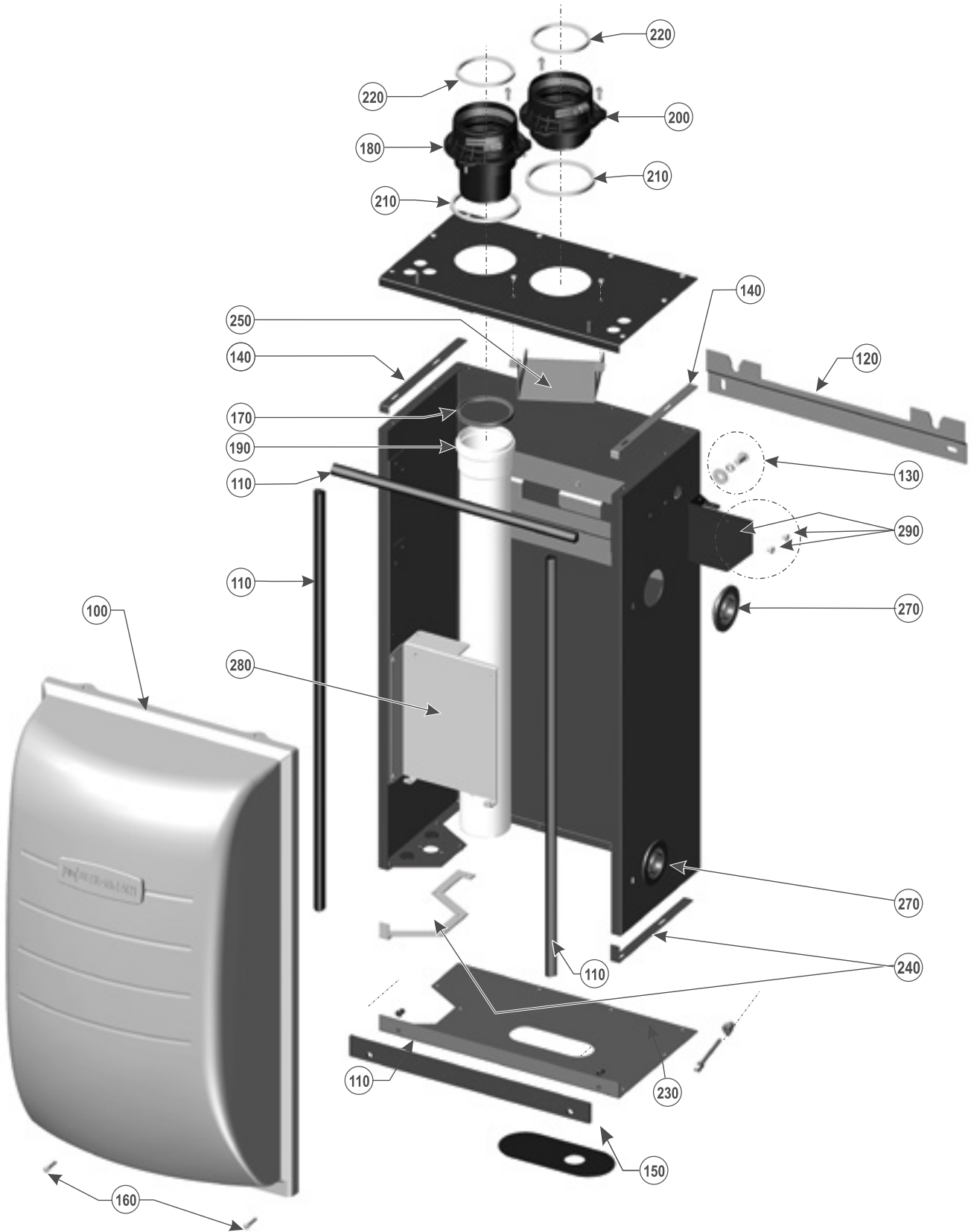
GAS



WM97+, WM97+CT  
Miscellaneous Parts And Kits - 70/110/155

| Fig No.   | Part No. | Description  |
|---|----------|--|
| <b>Vent/Air Parts and Kits (Polypropylene Pipe)</b> |          |  |
| <b>Available From M&amp;G Simpson-Duravent ONLY</b> |          |  |
| N/S   | 24PPS-HK | M&G Simpson-Duravent PolyPro Sidewall Concentric Vent/Air Kit - (Color White) - For 2" Polypropylene Pipe  |
|   | 35PPS-HK | M&G Simpson-Duravent PolyPro Sidewall Concentric Vent/Air Kit - (Color White) - For 3" Polypropylene Pipe  |
|   | 24PPS-VK | M&G Simpson-Duravent PolyPro Vertical Concentric Vent/Air Kit - (Color - Black is Part Number Shown) or Terra Cotta - (Add -TC Suffix) For 2" Polypropylene Pipe |
|   | 35PPS-VK | M&G Simpson-Duravent PolyPro Vertical Concentric Vent/Air Kit - (Color - Black is Part Number Shown) or Terra Cotta - (Add -TC Suffix) For 3" Polypropylene Pipe |
|   | 2PPS-HTP | M&G Simpson-Duravent PolyPro Sidewall Separate Vent/Air Kit - For 2" Polypropylene Pipe  |
|   | 3PPS-HTP | M&G Simpson-Duravent PolyPro Sidewall Separate Vent/Air Kit - For 3" Polypropylene Pipe  |
| <b>Vent/Air Parts and Kits (Polypropylene Pipe)</b> |          |  |
| <b>Available From Centrotherm Eco Systems ONLY</b>  |          |  |
| N/S   | ICWT3452 | Centrotherm INNOFLUE Sidewall Concentric Vent/Air Kit - 3" Polypropylene Pipe  |
|   | ICWS2413 | Centrotherm INNOFLUE Sidewall Concentric Vent/Air Kit - 2" Stainless Steel/PP Pipe   |
|   | ICWS3513 | Centrotherm INNOFLUE Sidewall Concentric Vent/Air Kit - 3" Stainless Steel/PP Pipe   |
|   | ICRT2439 | Centrotherm INNOFLUE Vertical Concentric Vent/Air Kit - 2" Polypropylene Pipe  |
|   | ICRT3539 | Centrotherm INNOFLUE Vertical Concentric Vent/Air Kit - 3" Polypropylene Pipe  |

# ECO - Series 1 & 2 Jacket Assembly - 70/110/155

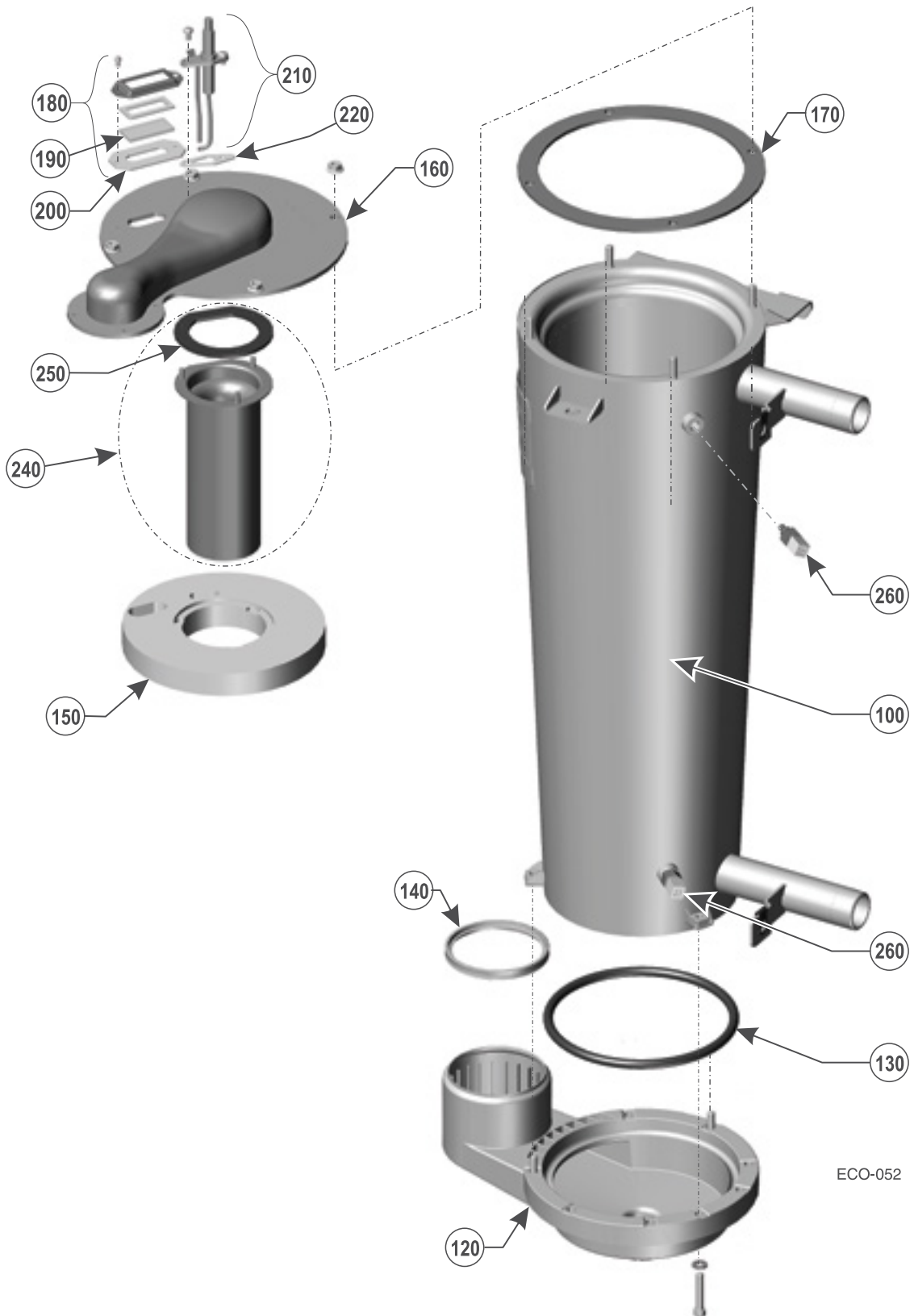


GAS

## ECO - Series 1 & 2 Jacket Parts - 70/110/155

| Fig No. | Part No.    | Description  |
|---------|-------------|--|
| 100     | 383-800-242 | Jacket Door With Labels  |
| 110     | 383-800-217 | Seals - Jacket Door To Cabinet   |
| 120     | 383-800-218 | Wall - Mount Bracket (Wall Side) With Hardware                                       |
| 130     | 383-800-219 | Wall - Mount Hardware (Boiler Side) - Includes Bolts, Washers & Spacers - 2 Required |
| 140     | 383-800-220 | Gaskets - Upper Panel To Cabinet   |
| 150     | 590-318-071 | Gasket - Heat exchanger To Bottom Panel  |
| 160     | 562-150-290 | Door Screw - #10-24 Truss Head (1 Each)  |
| 170     | 590-318-051 | Gasket - Internal Flue Pipe To Adapter   |
| 180     | 560-907-719 | Flue Pipe Adapter With Internal Gasket   |
| 190     | 560-907-720 | Boiler Flue Pipe With gasket # 590-318-051   |
| 200     | 560-907-718 | Air Inlet Adapter With Gasket  |
| 210     | 590-300-031 | Gasket - Air/Vent Adapter To Cabinet - 2 Required                                    |
| 220     | 590-318-052 | Gasket - Air/Vent Adapter To System Vent Pipe - 2 Required                           |
| 230     | 383-800-243 | Jacket Bottom Panel Kit - Includes Gaskets, Items 150 & 240, and Screws              |
| 240     | 383-800-222 | Gaskets - Bottom Panel To Cabinet  |
| 250     | 383-800-223 | Air Baffle With Screws   |
| N/S     | 561-444-186 | Hole Plug - 7/8" For Sealing Electrical Knockouts                                    |
| 280     | 383-800-228 | Control/Transformer Bracket  |
| 290     | 383-800-227 | Display Board Bracket - To Mount Display To Side of Cabinet                          |
| N/S     | 592-002-033 | Touch Up Paint - Black - Low E 4.5oz Can   |
|         | 383-700-238 | Condensate Bracket 70/110 - (Includes Bracket And Plastic Rivets)                    |
|         | 383-700-239 | Condensate Bracket 155 - (Includes Bracket And Plastic Rivets)                       |

# ECO Heat Exchanger Assembly - 70/110



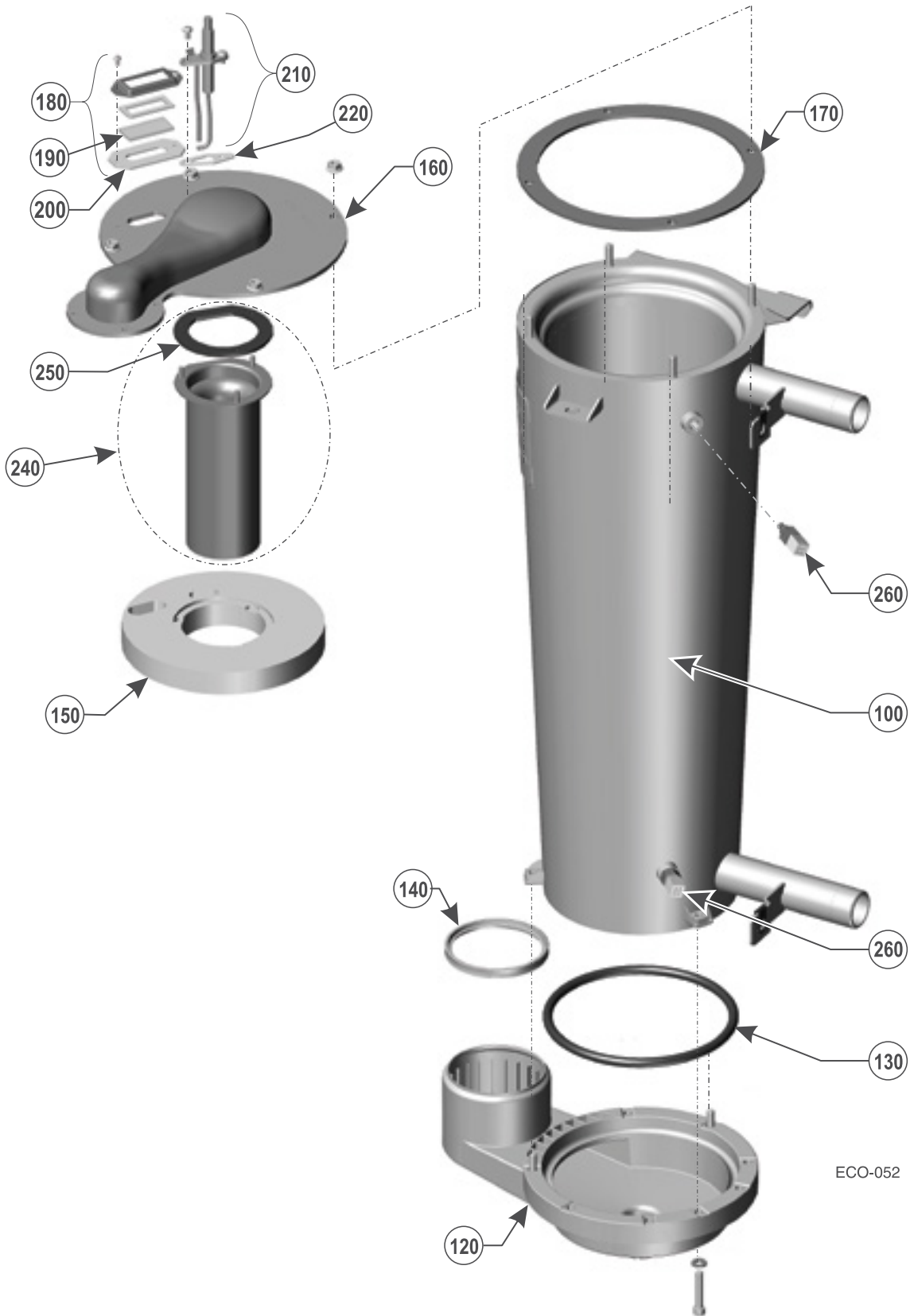
ECO-052

GAS

## ECO Heat Exchanger Parts - 70/110

| Fig No. | Part No.    | Description   |
|---------|-------------|---|
| 100     | 383-800-234 | Heat Exchanger - <b>Model 70 Series 1 &amp; 2, Model 110 Series 1 ONLY</b>  |
| N/S     | 383-800-236 | Heat Exchanger Complete , Condensate Dish, Cover Plate, Burner, Igniter, Sight Glass, Refractory, Water Sensors, Gaskets, Silicone, and Hardware - (Includes Items 100, 120, 130, 140, 160, 180, 210, 240, and 260) - <b>Model 70 Series 1 &amp; 2, Model 110 Series 1 ONLY</b> |
| 120     | 383-700-102 | Condensate Dish - Includes Gaskets - (Items 130, and 140) and Hardware - <b>Series 1 &amp; 2</b>  |
| 130     | 383-700-103 | Gasket To Seal Heat Exchanger To Condensate Dish- <b>Series 1 &amp; 2</b>   |
| 140     | 383-700-104 | Gasket To Seal Condensate Dish To Internal Flue Pipe- <b>Series 1 &amp; 2</b>   |
| 150     | 383-700-105 | Refractory Insulation & Silicone Sealant - <b>Model 70 Series 1 &amp; 2, Model 110 Series 1 ONLY</b>  |
| 160     | 383-700-108 | Heat Exchanger Cover Plate, Refractory, Silicone, and Gaskets. (Includes Items 150, 170, 200, 220, and 250) - <b>Model 70 Series 1 &amp; 2, Model 110 Series 1 ONLY</b>   |
| 170     | 383-700-109 | Cover Plate Gasket - Heat Exchanger To Cover Plate- <b>Series 1 &amp; 2</b>   |
| 180     | 383-700-185 | Sight Glass Kit - Bracket, Glass, Gaskets, and Hardware - (Includes Items 190, and 200)- <b>Series 1 &amp; 2</b>  |
| 190     | 591-419-202 | Sight Glass- <b>Series 1 &amp; 2</b>  |
| 200     | 383-700-112 | Sight Glass Gaskets - Upper and Lower- <b>Series 1 &amp; 2</b>  |
| 210     | 383-700-113 | Igniter Kit - (Includes Igniter, Gasket, and Hardware) - <b>Model 70 Series 1 &amp; 2, Model 110 Series 1 ONLY</b>  |
| 220     | 590-300-034 | Igniter To Cover Plate Gasket - <b>Series 1 &amp; 2</b>   |
| 240     | 383-700-106 | Burner, Gasket, and Hardware - (Includes Item 250) - <b>Model 70 Series 1 &amp; 2, Model 110 Series 1 ONLY</b>  |
| 250     | 383-700-107 | Burner Gasket - <b>Model 70 Series 1 &amp; 2, Model 110 Series 1 ONLY</b>   |
| 260     | 511-724-296 | Heat Exchanger Water Temperature Sensor. ( 1 Sensor for Either Boiler Inlet or Outlet Water Temperature)- <b>Series 1 &amp; 2</b>   |

# ECO - Series 2 Heat Exchanger Assembly - Model 110 Only



GAS

## ECO - Series 2 Heat Exchanger Assembly

| Fig No. | Part No.    | Description   |
|---------|-------------|---|
| 100     | 383-800-238 | Heat Exchanger  |
| N/S     | 383-800-239 | Heat Exchanger - Condensate Dish, Cover Plate, Burner, Igniter, Sight Glass, Refractory, Water Sensors, Gaskets, Silicone, and Hardware |
| 150     | 383-700-244 | Refractory Insulation & Silicone Sealant  |
| 160     | 383-800-240 | Heat Exchanger Cover Plate, Refractory, Silicone, and Gaskets.  |
| 210     | 383-700-245 | Igniter Kit - (Includes Igniter, Gasket, and Hardware)  |
| 240     | 383-700-246 | Burner, Gasket, and Hardware  |
| 250     | 383-700-247 | Burner Gasket   |

**NOTICE: ALL OTHER HEAT EXCHANGER PARTS ARE THE SAME FOR SERIES 1 AND 2**

# ECO - Series 1 & 2 Heat Exchanger Assembly - 155



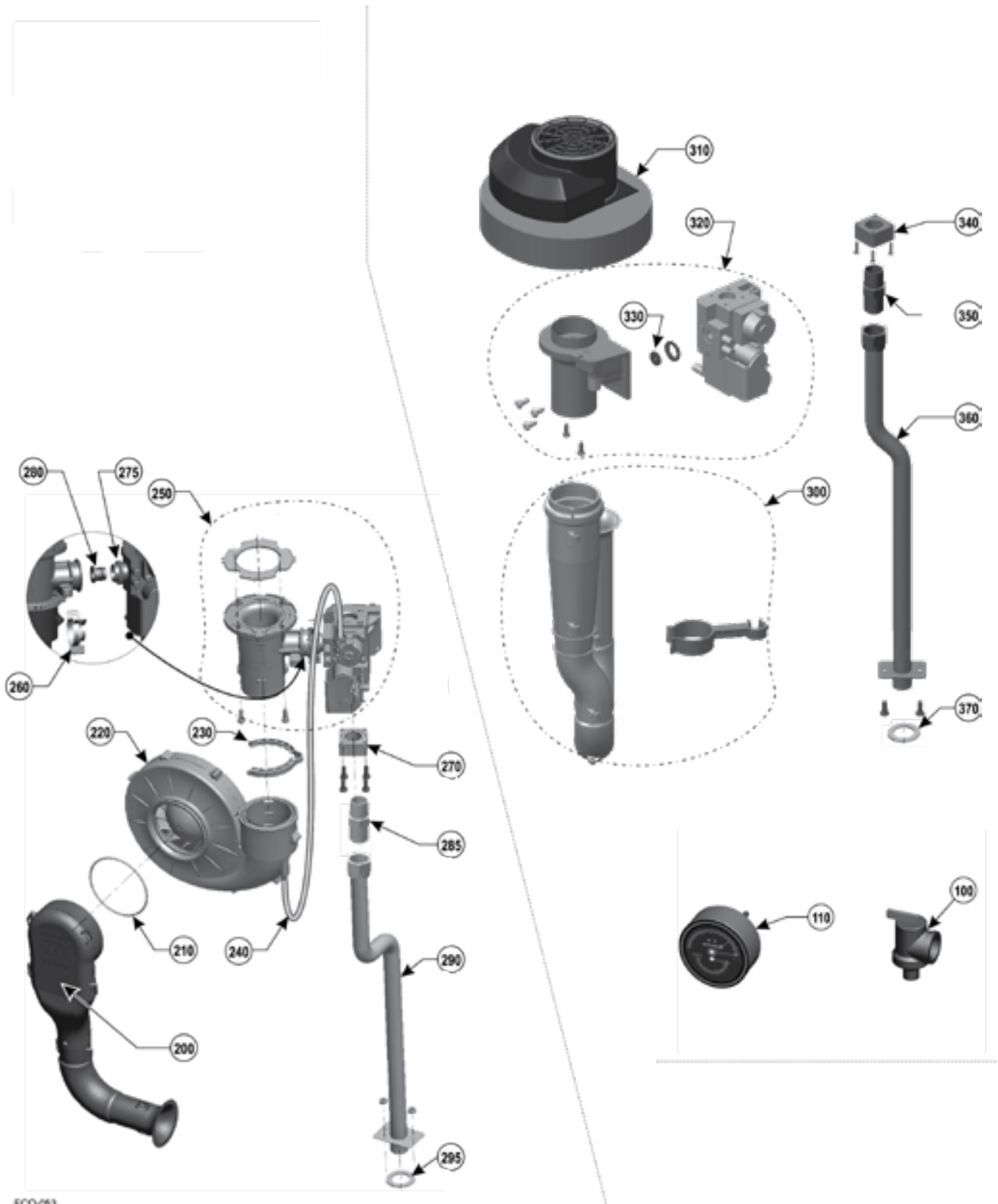
ECO-152



## ECO- Series 1 & 2 Heat Exchanger Parts - 155

| Fig No. | Part No.    | Description  |
|---------|-------------|--|
| 100     | 383-800-231 | Heat Exchanger   |
| 110     | 383-800-233 | Heat Exchanger Complete , Condensate Dish, Cover Plate, Burner, Igniter, Sight Glass, Refractory, Water Sensors, Gaskets, Silicone, and Hardware - (Includes Items 100, 130, 140, 160, 170, 180, 190, 200, 210, and 270) |
| 120     | 590-318-054 | Cover Plate Gasket - Cover Plate To Heat Exchanger   |
| 130     | 511-724-296 | Boiler Inlet Temperature Sensor  |
| 140     |             | Boiler Outlet Temperature Sensor - (Same as Item 130)  |
| 150     | 590-318-006 | Blower Gasket  |
| 160     | 383-700-181 | Condensate Dish, Includes Gaskets - (Items 170, and 180), and Hardware   |
| 170     | 383-700-205 | Gasket To Seal Heat Exchanger To Condensate Dish   |
| 180     | 383-700-104 | Gasket To Seal Condensate Dish To Internal Flue Pipe   |
| 190     | 383-700-184 | Heat Exchanger Cover Plate, Refractory, and Gaskets - (Includes Items 200, 230, 260, and 290)  |
| 200     | 383-700-182 | Refractory Insulation and Silicone Sealant   |
| 210     | 383-700-183 | Burner, Gasket, and Hardware - (Includes Item 220)   |
| 220     | 383-700-208 | Burner Gasket  |
| 230     | 383-700-202 | Burner Access Cover, Gasket, And Hardware - (Includes Item 240)  |
| 240     | 383-700-206 | Burner Access Cover Gasket   |
| 250     | 383-700-187 | Igniter Kit - (Includes Igniter, Gasket, and screws) (Includes Item 260)   |
| 260     | 590-300-034 | Igniter Gasket   |
| 270     | 383-700-185 | Sight Glass Kit - (Includes Bracket, Glass, Gaskets, and Hardware) (Includes Items 280, & 290)   |
| 280     | 591-419-202 | Sight Glass  |
| 290     | 383-700-112 | Sight Glass Gaskets, Upper and Lower   |
| N/S     | 383-700-207 | Heat Exchanger Cover Plate Gasket Set - (Includes Items 120, 150, 220, 240, And 260)   |

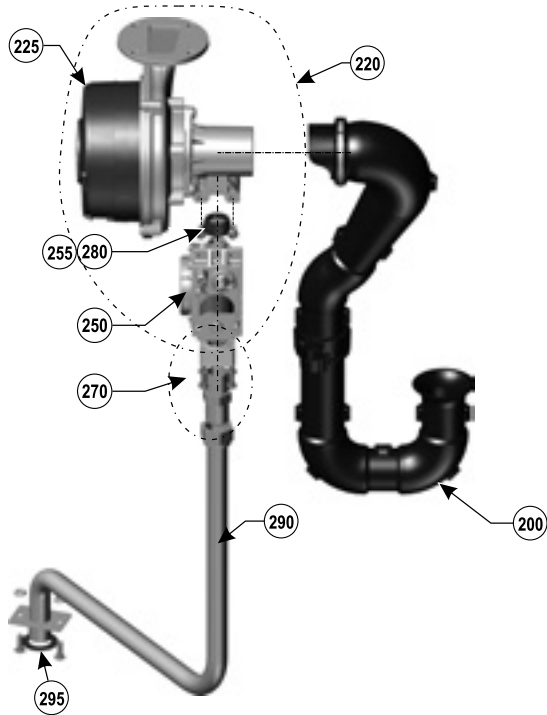
# ECO Combustion Components - 70/110/155



ECO  
Combustion Component Parts - 70/110/155

| FIG NO. | Part Number  | Description / contents   | 70 Series 1 & 2 | 110 Series 1 | 110 Series 2 | 155 Series 1 & 2 |
|---------|--|--|-----------------|--------------|--------------|------------------|
| 100     | 383-500-095  | 30 PSIG Relief Valve   | •               | •            | •            | •                |
| 110     | 380-000-000  | Pressure Temperature Gauge, 60-360° F, 0-75 PSI, 3/8" Diameter, 1/4" N.P.T.                        | •               | •            | •            | •                |
| 200     | 383-700-155  | Air Inlet Silencer   | •               | •            |              |                  |
| 210     | 590-318-049  | Silencer O-ring  | •               | •            |              |                  |
| 220     | 383-700-157  | Blower With Clip, and Gasket   | •               | •            |              |                  |
| 230     | 562-650-115  | Blower Retainer Clip   | •               | •            |              |                  |
| 240     | 590-300-001  | Reference Tube - Tube To Connect Blower To Gas valve   | •               | •            |              |                  |
| 250     | 383-700-159  | Gas Valve/Venturi Assembly - (Includes Gas Valve, Venturi (027), Gasket, O-ring, Clip, and Screws) | •               |              |              |                  |
|         | 383-700-160  | Gas Valve/Venturi Assembly - (Includes Gas Valve, Venturi (040), Gasket, O-ring, Clip, and Screws) |                 | •            |              |                  |
| 260     | 562-650-116  | Gas Valve Retainer Clip  | •               | •            |              |                  |
| 270     | 563-910-031  | Gas Valve Adapter Block - (Includes Block, O-ring, and Screws)                                     | •               | •            | •            | •                |
| 275     | 590-318-045  | Gas Valve Outlet O-ring  | •               | •            |              |                  |
| 285     | 562-302-576  | Gas Flex Line Adapter - N.P.T To Flare Adapter   | •               | •            | •            | •                |
| 290     | 383-800-224  | Gas Flex Line - (Includes Gas Line, Seal, and Hardware)  | •               | •            |              |                  |
| 295     | 590-300-027  | Gas Pipe Flange Gasket, Gasket Gas Flex Line to Cabinet  | •               | •            | •            |                  |
| 300     | 383-700-203  | Air Inlet Silencer - Silencer, Gasket, and Clip  |                 |              |              | •                |
| 310     | 383-700-195  | Blower   |                 |              |              | •                |
| 320     | 383-700-196  | Gas Valve/Venturi Assembly - (Includes Gas Valve, Venturi, Gasket, and Hardware)                   |                 |              |              | •                |
| 330     | Propane Orifice--Boilers Converted To Propane <b>ONLY</b> -- Available <b>ONLY</b> With Propane Conversion Kit |  |                 |              |              |                  |
| 340     | 563-910-031  | Gas Valve Adapter Block - (Includes Block, O-ring, and Screws)                                     |                 |              |              | •                |
| 360     | 383-800-241  | Gas Flex Line - (Includes Gas Line, Seal, and Hardware)  |                 |              |              | •                |
| 370     | 590-300-027  | Gas Pipe Flange Gasket, Gasket Gas Flex Line To Cabinet  |                 |              |              | •                |

**ECO - Series 2**  
**Combustion Components - Model 110 Only**



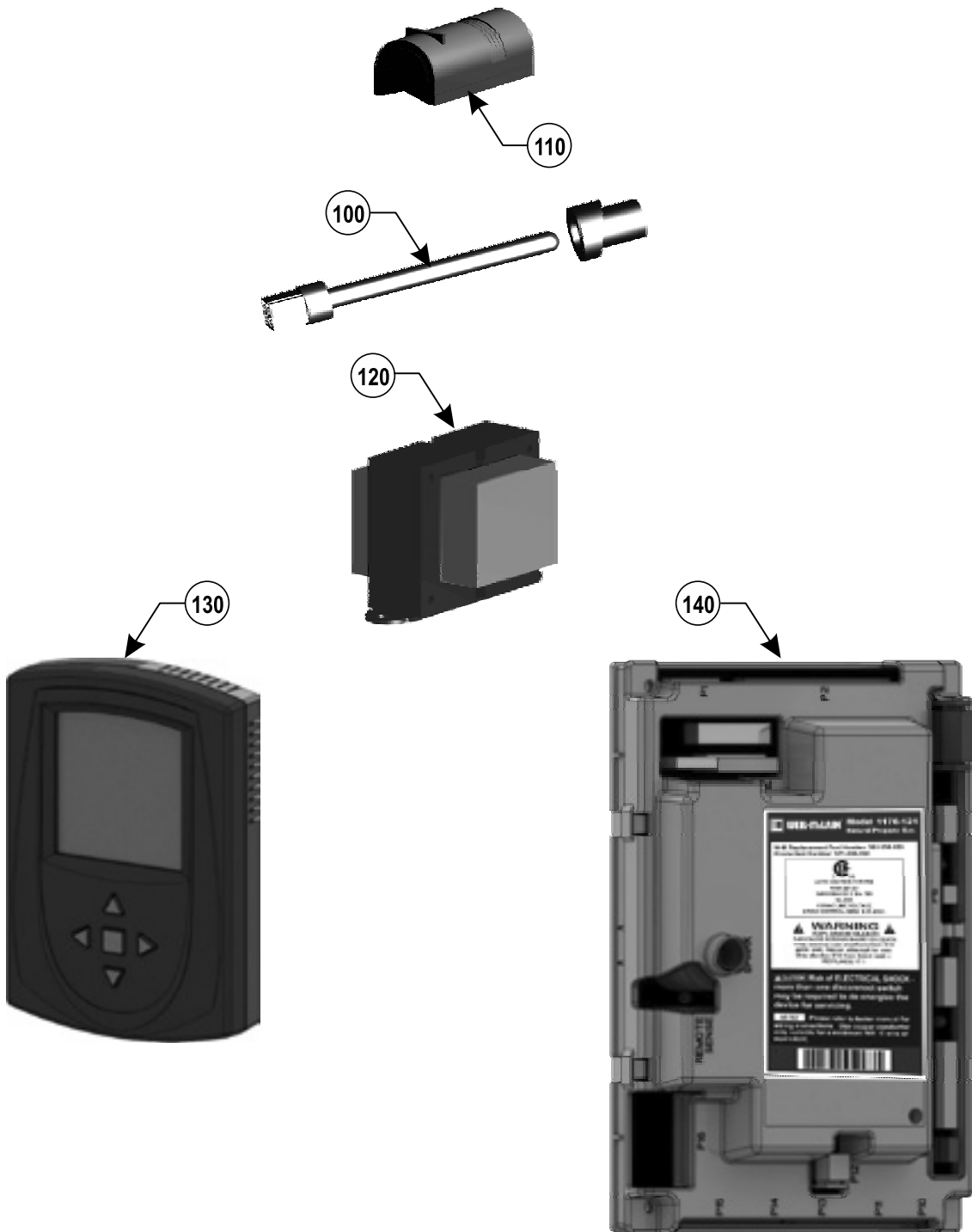
**GAS**

**ECO - Series 2**  
**Heat Exchanger Assembly - Model 110 Only**

| FIG NO. | Part Number | Description / contents  | 110 |
|---------|-------------|---|-----|
| 200     | 383-700-248 | Air Inlet Silencer  | •   |
| 220     | 590-318-115 | Blower, Venturi, Silencer, ORing, And Gas Valve Assembly - Includes Blower Gasket | •   |
| 225     | 383-700-260 | Blower And Venturi Assembly - Includes Blower Gasket                              | •   |
| 250     | 383-700-259 | Gas Valve - (Includes Gas Valve, Rubber Boot And Screws)                          | •   |
| 255     | 383-700-261 | Rubber Boot - Gasket Between Gas Valve And Venturi                                | •   |
| 290     | 383-800-241 | Gas Flex Line - (Includes Gas Line, Seal, and Hardware)                           | •   |

**NOTICE:ALL OTHER COMBUSTION COMPONENTS ARE THE SAME FOR SERIES 1 AND 2**

ECO  
Controls/Electrical Assemblies - 70/110/155



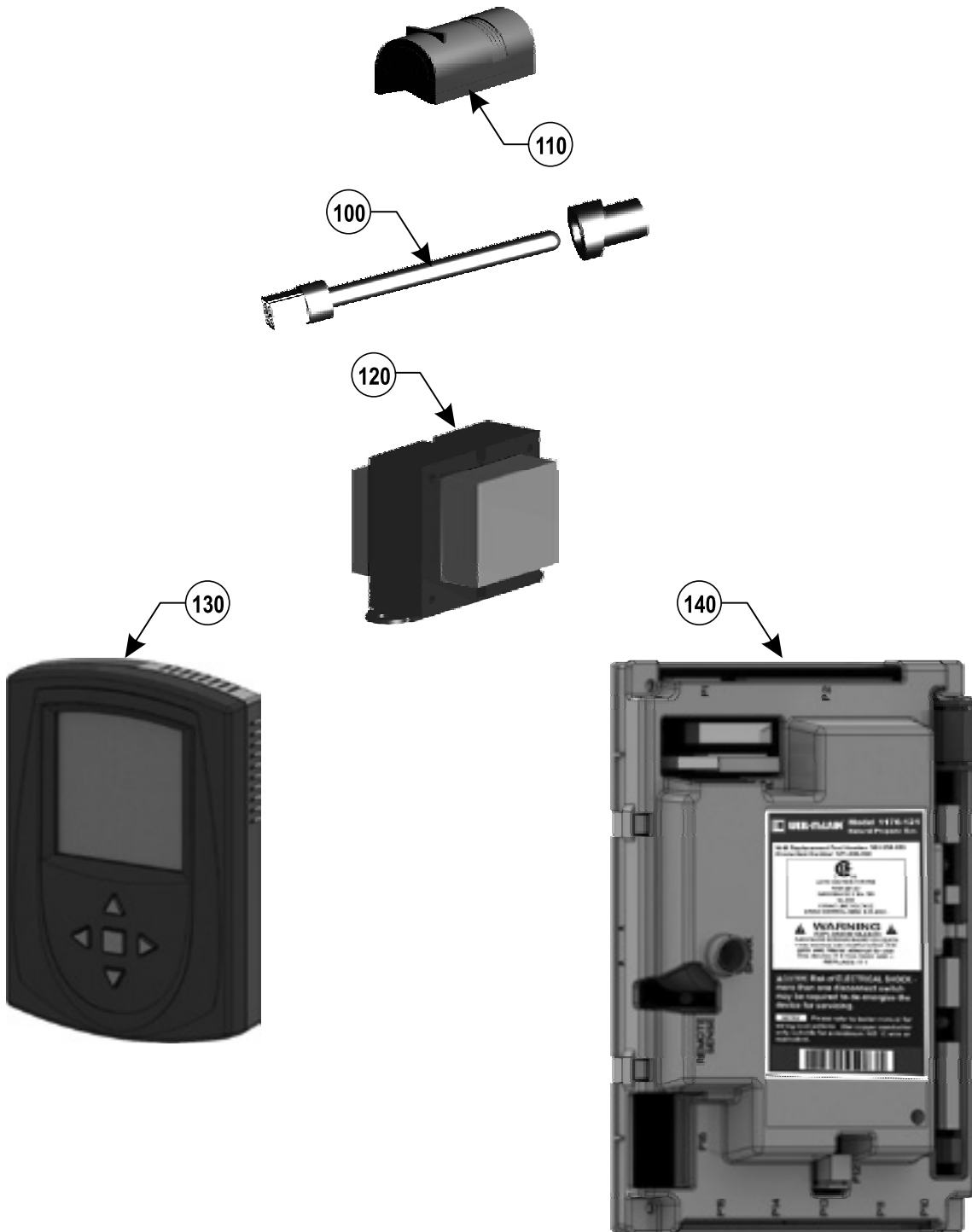
GAS

ECO-154

ECO  
Controls/Electrical Assemblies Parts - 70/110/155

| Fig No. | Part No.     | Description   |
|---------|--------------|---|
| 90      | 590-318-011  | Flue Temperature Sensor Grommet   |
| 100     | 383-500-600  | Flue Temperature Sensor   |
| 110     | 510-312-218  | Outdoor Temperature Sensor  |
| 120     | 383-500-628  | Transformer 120/24 Volt, 50 VA  |
| 130     | 381-330-019  | Display Board Assembly - <b>Models 70/110/155 Series 1 ONLY</b>   |
| 140     | 381-330-018  | Control Module Assembly - <b>Models 70/110/155 Series 1 ONLY</b>  |
| 130     | 381-330-030  | Display Board Assembly - <b>Models 70/110/155 Series 2 ONLY</b>   |
| 140     | 381-330-029  | Control Module Assembly - <b>Models 70/110/155 Series 2 ONLY</b>  |
| N/S     | 591-392-001  | Wire Harness--- Line Voltage - ECO - <b>Model 70 Series 1 &amp; 2, Model 110 Series 1 ONLY</b> - Connects To Blower, And Ignition And Chassis Ground                  |
|         | 591-392-003  | Wire Harness--- Line Voltage - ECO 155 - Connects To Blower, Ignition, And Chassis Ground.  |
|         | 591-392-000  | Wire Harness--- Low Voltage - ECO - <b>Model 70 Series 1 &amp; 2, Model 110 Series 1 ONLY</b> - Connects To Return And Supply Sensors, Gas Valve, And Blower Control. |
|         | 591-392-002  | Wire Harness--- Low Voltage - ECO 155 - Connects to Return And Supply Sensors, Gas Valve, And Blower Control.   |
|         | 591-392-004  | Wire Harness--- Display To Control Module - ECO 70/110/155  |
|         | 591-392-012  | Ignition Cable  |
|         | 383-500-603  | F1 - 3 Amp Fast Blow ATO - 5 Fuses  |
|         | 383-500-604  | F2 - 12 Amp Fast Blow AG - 5 Fuse   |
|         | 383-500-641  | Jumper For Low Voltage Terminal Block - 5 Jumpers   |
|         | 383-800-229  | Connector Electrical Control - Includes all 6 Connectors  |
|         | 562-248-771  | Low Voltage Sealed Wire Cord Grip - Seals Thermostat Wire at Entrance to Cabinet  |
|         | 511-100-005  | 24-V LWCO Kit with Quick Connect Harness  |
|         | 150          | 383-500-095   |
| 160     | 380 -000-000 | Pressure Temperature Gauge, 60-360°F, 0-75 PSI, 3/8" Diameter, 1/4" N.P.T.  |

# ECO - Series 2 Controls And Electrical Components - Model 110 Only



GAS

ECO-154



**ECO - Series 2**  
**Controls And Electrical Components - Model 110 Only**

| Fig No. | Part No.    | Description                                    |
|---------|-------------|--|
| 130     | 381-330-030 | Display Board Assembly - <b>SERIES 2 ONLY</b>  |
| 140     | 381-330-029 | Control Module Assembly - <b>SERIES 2 ONLY</b> |
| N/S     | 591-392-031 | Wire Harness--- Line Voltage - ECO 110         |
|         | 591-392-030 | Wire Harness--- Low Voltage - ECO 110          |

**NOTICE: ALL OTHER CONTROL AND ELECTRICALCOMPONENTS ARE THE SAME FOR SERIES 1 AND 2**

ECO  
Miscellaneous Parts And Kits - 70/110/155

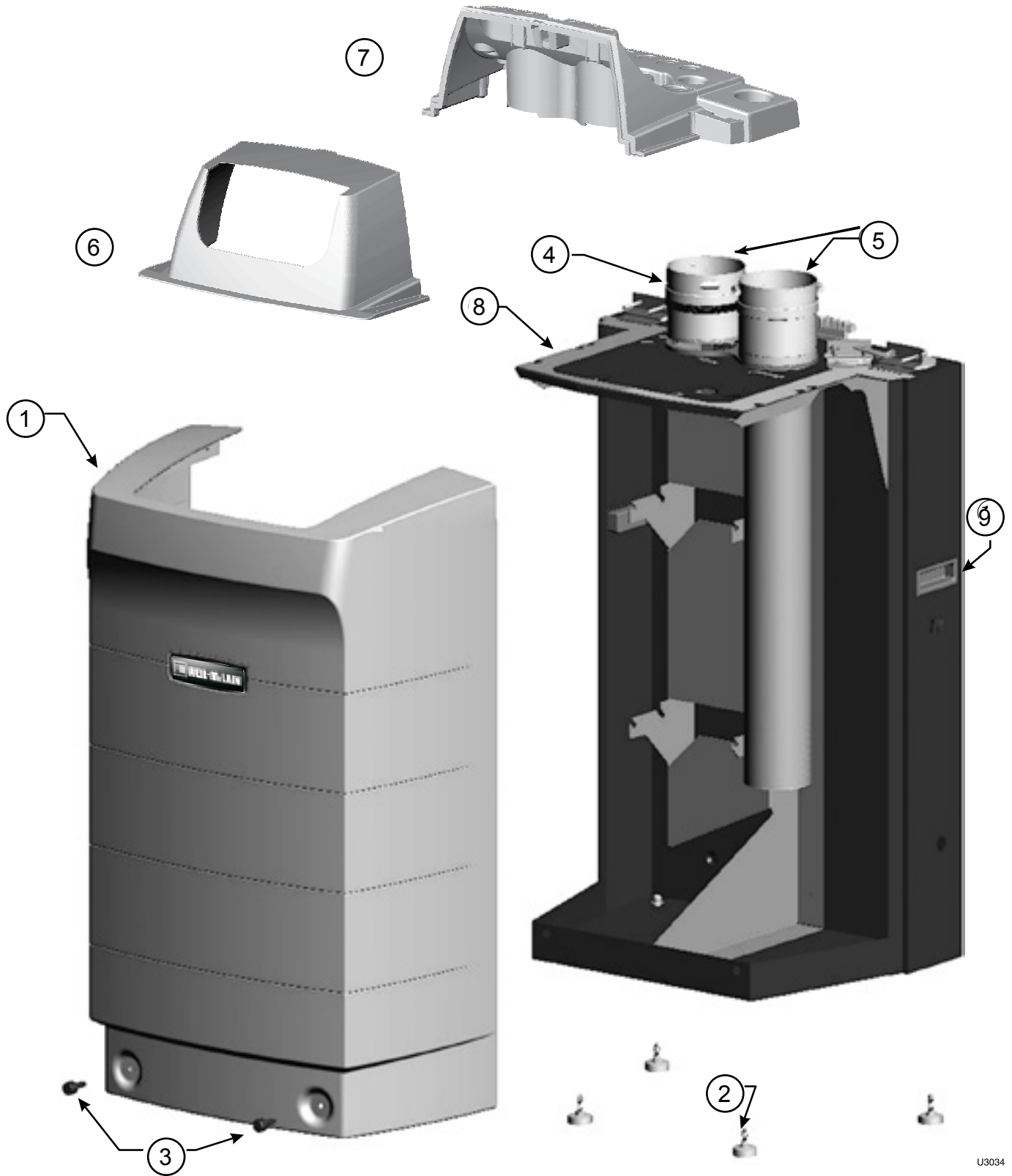
| Fig No.   | Part No.    | Description   |
|---|-------------|---|
| <b>Chemicals</b>  |             |   |
| N/S   | 592-900-029 | Antifreeze, Sentinel X500 - 1 Gallon  |
|   | 592-900-006 | Antifreeze, Sentinel X500 - 5 Gallon  |
|   | 592-900-002 | Corrosion Inhibitor, Sentinel X100  |
|   | 592-900-005 | Sentinel X100 Quick Test Kit  |
|   | 592-900-003 | Cleaner, Sentinel X400  |
| <b>Boiler Accessories</b>                               |             |   |
| N/S   | 383-700-165 | ECO <b>70 Series 1 &amp; 2, 110 Series 1 ONLY</b> Maintenance Kit - Includes Igniter, Gaskets-(Igniter, Venturi, and Cover Plate),Venturi-Gas Valve O-ring, Refractory, Silicone, Inhibitor Test Kit, Clips, and Manuals  |
|   | 383-700-200 | ECO 155 Maintenance Kit - Includes Igniter, Gaskets-(Igniter, Venturi, and Cover Plate),Venturi-Gas Valve O-ring, Refractory, Silicone, Inhibitor Test Kit, Clips, and Manuals  |
|   | 383-800-218 | Wall Mount Kit - (Supplied With Boiler) Includes Wall-Mount Bracket, and Hardware   |
|   | 383-800-101 | ECO Floor Stand Kit   |
|   | 560-907-722 | Condensate Trap Kit - (Supplied With Boiler) Includes Trap Assembly, and Flexible Line  |
| <b>Condensate Handling Accessories</b>                  |             |   |
| N/S   | 383-500-631 | Condensate Neutralizer Kit  |
| <b>Propane Conversion Kits</b>                          |             |   |
| N/S   | 540-202-837 | Propane Conversion Kit -(Includes LP Orifice, Label, and Instructions) ECO-70   |
|   | 540-202-838 | Propane Conversion Kit -(Includes LP Orifice, Label, and Instructions) <b>ECO-110-Series 1 ONLY</b>   |
|   | 540-202-839 | Propane Conversion Kit -(Includes LP Orifice, Label, and Instructions) ECO-155  |
|   | 540-131-088 | Propane Conversion Kit -(Includes LP Orifice, Label, and Instructions) <b>ECO-110-Series 2 ONLY</b>   |
| <b>Vent/Air Parts and Kits (PVC or Stainless Steel)</b> |             |   |
| N/S   | 383-500-397 | Weil-McLain Sidewall Vent/Air Cap Termination Kit for PVC Vent and Air Pipes - (Includes Sidewall Vent/Air Termination Cap, Inside and Outside Cover Plates and Mounting Hardware; Openings are For 3" PVC Pipe (Requires Field Installed 3" X 2" Adapter if Using 2" Vent/Air Pipes)                                     |
|   | 382-200-430 | Weil-McLain Sidewall Vent/Air Cap Termination Kit for AL29-4C Vent Pipe and PVC Air Pipe - (Includes Sidewall Vent/Air Termination Cap, Inside and Outside Cover Plates and Mounting Hardware; Openings are For 3" SS Vent Pipe and 3" PVC Air Pipe (Requires Field Installed 3" X 2" Adapter if Using 2" Vent/Air Pipes) |
|   | 383-700-171 | Sidewall Separate Pipes Vent/Air termination Kit (Includes 2 Cover Plates) - For 2" PVC Vent and Air pipes  |
|   | 383-500-100 | Sidewall Separate Pipes Vent/Air termination Kit (Includes 2 Cover Plates) - For 3" PVC Vent and Air Pipes  |
|   | 383-700-172 | Sidewall Separate Pipes Vent/Air termination Kit (Includes 2 Cover Plates) - For 3" AL29-4C SS Vent Pipe and 3" PVC Pipe  |
|   | 383-700-167 | PVC Concentric Vent Kit - Horizontal or Vertical - Kit For 2" PVC Vent/Air Pipes  |
|   | 383-500-350 | PVC Concentric Vent Kit - Horizontal or Vertical - Kit For 3" PVC Vent/Air Pipes  |
|   | 560-907-728 | Bird Screen - 2" PVC - Vent/Air Pipes - Includes 1 Screen   |
|   | 383-500-105 | Bird screen - 3" PVC - Vent/Air Pipes - Includes 1 Screen   |
|   | 383-700-235 | Termination Restrictor Kit - (Includes Intake Washer, PVC Restrictor, and Instructions)   |
| <b>Boiler Accessories (SERIES 2 - 110 ONLY)</b>         |             |   |
| N/S   | 383-700-243 | ECO 110 Maintenance Kit - Includes Igniter, Gaskets-(Igniter, Venturi, and Cover Plate),Venturi-Gas Valve O-ring, Refractory, Silicone, Inhibitor Test Kit, Clips, and Manuals. <b>SERIES 2 ONLY</b>  |

ECO  
Miscellaneous Parts And Kits - 70/110/155

| Fig No.   | Part No. | Description  |
|---|----------|--|
| <b>Vent/Air Parts and Kits (Polypropylene Pipe)</b> |          |  |
| <b>Available From M&amp;G Simpson-Duravent ONLY</b> |          |  |
| N/S   | 2PPS-HK  | M&G Simpson-Duravent PolyPro Sidewall Concentric Vent/Air Kit - (Color White) - For 2" Polypropylene Pipe  |
|   | 3PPS-HK  | M&G Simpson-Duravent PolyPro Sidewall Concentric Vent/Air Kit - (Color White) - For 3" Polypropylene Pipe  |
|   | 2PPS-VK  | M&G Simpson-Duravent PolyPro Vertical Concentric Vent/Air Kit - (Color - Black is Part Number Shown) or Terra Cotta - (Add -TC Suffix) For 2" Polypropylene Pipe |
|   | 3PPS-VK  | M&G Simpson-Duravent PolyPro Vertical Concentric Vent/Air Kit - (Color - Black is Part Number Shown) or Terra Cotta - (Add -TC Suffix) For 3" Polypropylene Pipe |
|   | 2PPS-HTP | M&G Simpson-Duravent PolyPro Sidewall Separate Vent/Air Kit - For 2" Polypropylene Pipe  |
|   | 3PPS-HTP | M&G Simpson-Duravent PolyPro Sidewall Separate Vent/Air Kit - For 3" Polypropylene Pipe  |
| <b>Vent/Air Parts and Kits (Polypropylene Pipe)</b> |          |  |
| <b>Available From Centrotherm Eco Systems ONLY</b>  |          |  |
| N/S   | ICWT352  | Centrotherm INNOFLUE Sidewall Concentric Vent/Air Kit - 3" Polypropylene Pipe  |
|   | ICWS2413 | Centrotherm INNOFLUE Sidewall Concentric Vent/Air Kit - 2" Stainless Steel/PP Pipe   |
|   | ICWS3513 | Centrotherm INNOFLUE Sidewall Concentric Vent/Air Kit - 3" Stainless Steel/PP Pipe   |
|   | ICRT2439 | Centrotherm INNOFLUE Vertical Concentric Vent/Air Kit - 2" Polypropylene Pipe  |
|   | ICRT3539 | Centrotherm INNOFLUE Vertical Concentric Vent/Air Kit - 3" Polypropylene Pipe  |

---

# Ultra Series 3 / 3UE / CT Jacket



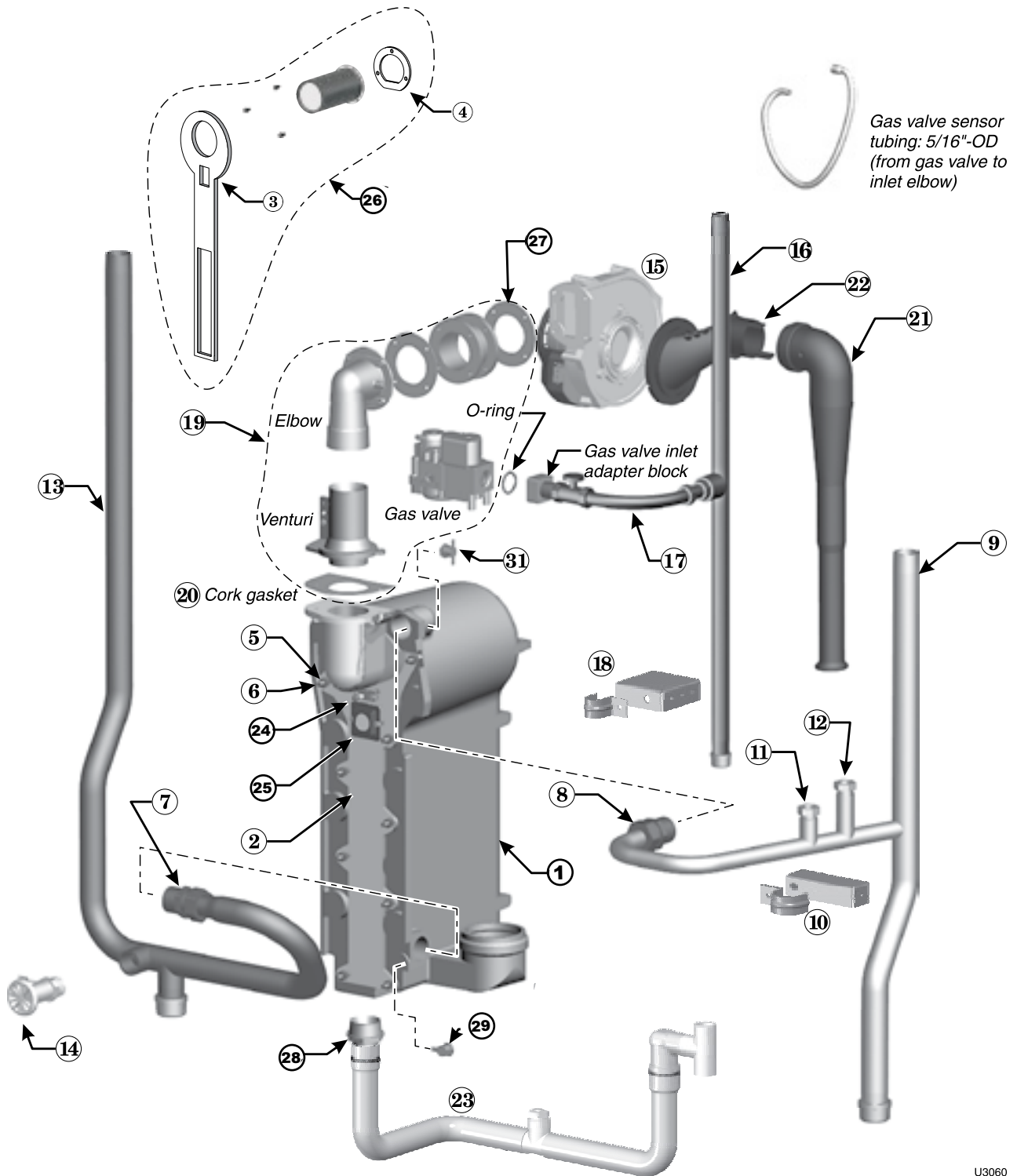
GAS

U3034

## Ultra Series 3 / 3UE /CT Jacket Parts

| Fig. No. | Part No.    | Description  | Model               |
|----------|-------------|--|---------------------|
| 1        | 383-500-135 | Jacket Front Door  |                     |
| 2        | 383-500-065 | Boiler Leg Kit (4 Required)  |                     |
| 3        | 383-500-320 | Knurled Heat Screw For Jacket Front Door (2 Required)                  |                     |
| N/S      | 383-500-180 | Knurled Heat Screw Clip-On Receptacle (2 Required)                     |                     |
| 4        | 560-907-704 | Air Adapter Assembly (Includes: Adapter, Gasket, and Mounting Bracket) | 80/105              |
|          | 560-907-707 | Air Adapter Assembly (Includes: Adapter, Gasket, and Mounting Bracket) | 155                 |
|          | 560-907-710 | Air Adapter Assembly (Includes: Adapter, Gasket, and Mounting Bracket) | 230-399             |
| 5        | 560-907-771 | Flue Outlet Adapter - 3"   | 80/105              |
|          | 560-907-775 | Flue Pipe - 3"   |                     |
|          | 460-005-796 | Bracket  |                     |
|          | 562-500-001 | Clamp  |                     |
|          | 560-907-771 | Flue Outlet Adapter - 3"   | 155                 |
|          | 560-907-772 | Flue Pipe - 3"   |                     |
|          | 460-005-797 | Bracket  |                     |
|          | 562-500-002 | Clamp  |                     |
|          | 560-907-773 | Flue Outlet Adapter - 4"   | 230-399             |
|          | 560-907-774 | Flue Pipe - 4"   |                     |
|          | 460-005-798 | Bracket  |                     |
|          | 562-500-003 | Clamp  |                     |
| 6        | 383-500-607 | Top Cover, Front   |                     |
| 7        | 383-500-608 | Top Cover, Rear  | 80 to 230           |
|          | 383-500-609 | Top Cover, Rear  | 310/299/<br>399     |
| 8        | 383-500-610 | Door Gasket Replacement Kit  | All                 |
| 9        | 383-500-611 | Handle (2 Required)  | All                 |
| N/S      | 592-002-033 | Touch Up Paint - Black - Low E 4.5oz Can                               | All                 |
| N/S      | 383-500-638 | Electrical Plug  |                     |
|          | 592-800-022 | 3" Flue/Intake Gasket  | 80/105/155          |
|          | 592-800-023 | 4" Flue/Intake Gasket  | 230/299/<br>310/399 |
|          | 590-318-007 | 70mm Lower Flue-Way Gasket   | 80/105              |
|          | 590-318-003 | 80mm Lower Flue-Way Gasket   | 155                 |
|          | 590-318-004 | 100mm Lower Flue-Way Gasket  | 230/299/<br>310/399 |

## Ultra Series 3 / 3UE / CT - (Ultra-80/105) Heat Exchanger / Piping



U3060

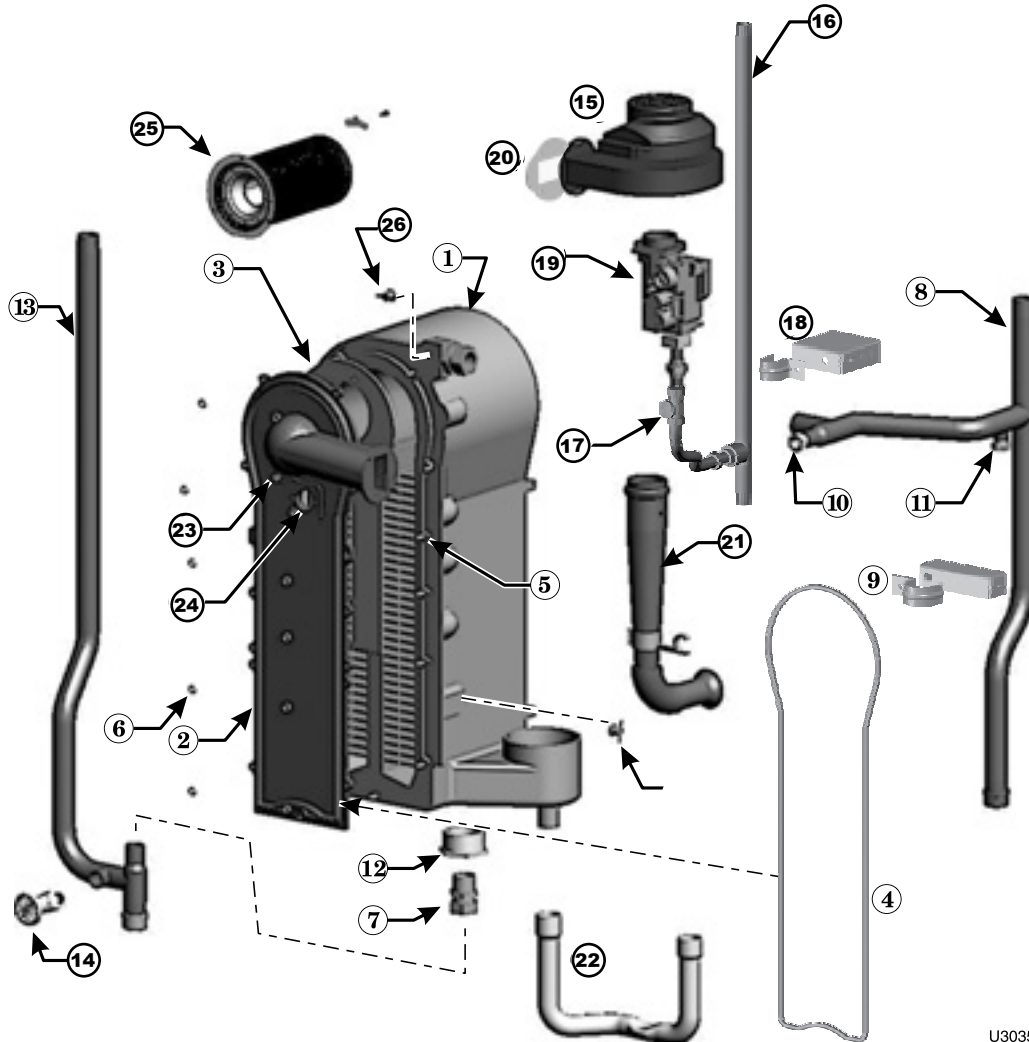
| Fig. No. | Part No.    | Description   | Boiler Models |
|----------|-------------|---|---------------|
| 1        | 383-500-670 | Heat Exchanger Replacement Kit - (Includes: Heat Exchanger, Cover Plate, Burner, Electrode, Water Sensors, Compression Fittings, Condensate Fitting, Gaskets, and Hardware) | 80NG          |
|          | 383-500-671 |   | 80LP          |
|          | 383-500-672 |   | 105           |

GAS

**Ultra Series 3 / 3UE / CT - (Ultra-80/105)  
Heat Exchanger / Piping Parts**

| Fig. No. | Part No.    | Description  | Boiler Models |
|----------|-------------|--|---------------|
| 2        | 383-501-022 | Cover Plate Replacement Kit - (Includes: Cover Plate, Cover Plate Gasket, Burner Gasket, and Hardware)   | 80/105        |
| 3        | 591-200-000 | Cover Plate Gasket/Insulation  | 80/105        |
| 4        | 590-300-000 | Burner Gasket  | 80/105        |
| 5        | 560-340-598 | Cover Plate Studs, M6, 1 Pitch   | All           |
| 6        | 561-928-449 | Cover Plate Nuts, M6, 1 Pitch  | All           |
| 7        | 383-500-260 | Water Compression Fitting, 28 mm   | 80/105        |
| 8        | 564-100-002 | Water Compression Fitting, 22 mm   | 80/105        |
| 9        | 383-501-036 | Supply Water Pipe Assembly - (Includes: Pipe, Temperature Well, Check Valve, Cap (Assembled) and Compression Fitting)  | 80/105        |
| 10       | 383-500-615 | Supply Water Lower Pipe Clamp and Hardware   | 80/105        |
| 11       | 383-500-270 | ½" N.P.T Well For Temperature Gauge  | All           |
| 12       | 383-500-275 | Pressure/Temperature Gauge Check Valve   | All           |
| 13       | 383-501-037 | Return Water Pipe Assembly - (Includes: Pipe, Drain Valve, Cap (Assembled) and Compression Fitting)  | 80/105        |
| 14       | 511-246-392 | Boiler Drain Valve, ¾" N.P.T.  | All           |
| 15       | 383-501-027 | Blower Assembly Kit - (Includes: Blower, Gasket, and Hardware)   | 80/105        |
| 16       | 560-907-682 | Gas Pipe   | 80/105        |
| 17       | 383-500-616 | Flexible Gas Line Section, (Includes- Shut Off Valve, Block,O-Ring, and Screws)  | 80/105        |
| 18       | 383-500-617 | Gas Pipe Lower Pipe Clamp And Hardware   | 80/105        |
| N/S      | 563-910-031 | Gas Valve Block (Includes Block, O-ring, and Screws)   | All           |
| 19       | 383-501-029 | Gas Valve/Venturi Kit - (Includes: Gas Valve, Venturi, 90° Elbow, Gaskets, and Hardware (Assembled)) (For LP boilers, Make Sure to Reinstall The Existing Propane Orifice) | 80            |
|          | 383-501-030 |  | 105           |
| 20       | 590-317-310 | Gasket Cork (For In Between Gas Valve Venturi and Burner Inlet)  | All           |
| 21       | 383-501-026 | Air Silencer Kit - Air Silencer and Gasket   | 80/105        |
| 22       | 383-501-025 | Air Silencer Adapter Kit - Air Silencer Adapter and Hardware   | 80/105        |
| 23       | 383-500-618 | Condensate Trap Kit - Condensate Trap, Hose Clamps, PVC Fittings and Gasket  | 80/105        |
| 24       | 383-500-045 | Ignition Electrode Kit - Ignition Electrode, Suppressor, Gasket and Hardware   | All           |
| N/S      | 383-500-619 | Ignition Cable Kit - Ignition Cable, Suppressor and Wire Tie   | All           |
| 25       | 383-500-020 | Inspection Glass Kit - Bracket, Glass, Gasket and Hardware   | All           |
| 26       | 383-501-032 | Burner Replacement Kit - Burner, Gaskets and Hardware  | 80NG          |
|          | 383-501-033 |  | 80LP          |
|          | 383-501-034 |  | 105           |
| N/S      | 383-900-090 | Burner Insert Repair Kit (Includes Drill-(6.9mm), Tap, Inserts, Screws, Instructions)  | All           |
| 27       | 590-300-003 | Gasket Rubber, Blower  | 80/105        |
| 28       | 561-200-000 | Condensate Fitting   | 80/105        |
| 29       | 383-500-602 | Return/Supply Sensor Kit - (1) Sensor  | All           |
| N/S      | 383-600-009 | Gas Valve "O" ring, Includes 10 "O" Rings  | All           |
|          | 590-317-310 | Cork Gasket (Goes Between Gas Valve and Blower)  | All           |
|          | 590-300-001 | Silicone Tube - From Gas Valve To 90° Elbow  | 80/105        |

## Ultra Series 3 / 3UE / CT - (Ultra-155 / 230) Heat Exchanger / Piping Parts



U3035

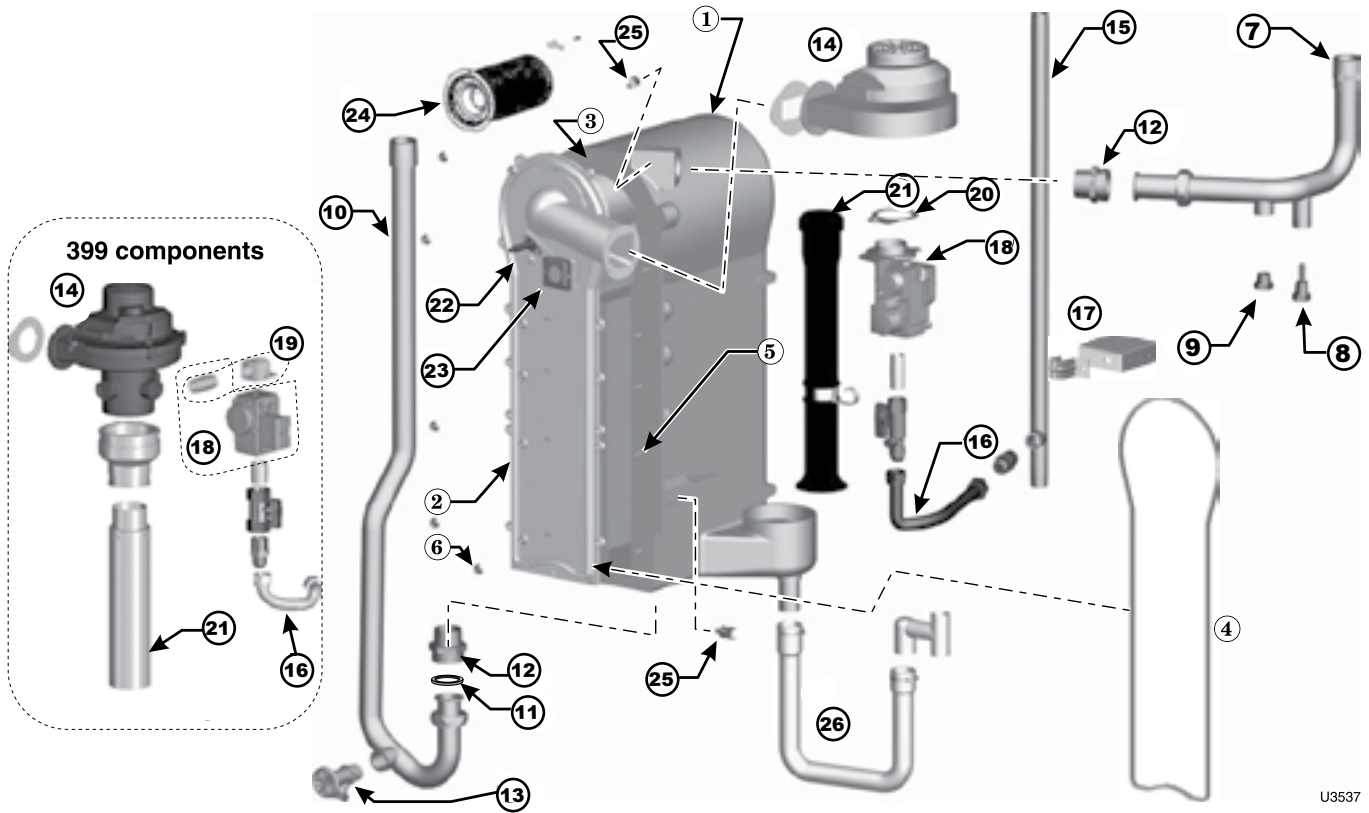
| Fig. No. | Part No.    | Description  | Boiler Model |
|----------|-------------|--|--------------|
| 1        | 383-500-673 | Heat Exchanger Replacement Kit - (Includes: Heat Exchanger, Cover Plate, Burner, Electrode, Water Sensors, Compression Fittings, Condensate Fitting, Gaskets and Hardware) | 155          |
|          | 383-500-674 |  | 230          |
| 2        | 383-500-395 | Cover Plate Replacement Kit - (Includes: Cover Plate, Cover Plate Gasket, Burner Gasket and Hardware)  | 155/230      |
| 3        | 383-500-250 | Cover Plate Insulation/Burner Gasket   | 155/230      |
| 4        | 383-500-255 | Cover Plate Gasket   | 155/230      |
| 5        | 560-340-598 | Cover Plate Studs, M6, 1 Pitch   | All          |
| 6        | 561-928-449 | Cover Plate Nuts, M6, 1 Pitch  | All          |
| 7        | 383-500-260 | Water Compression Fitting, 28 mm   | 155/230      |
| 8        | 383-500-265 | Supply Water Pipe Assembly - (Includes: Pipe, Temperature Well, Check Valve, Cap (Assembled) and Compression Fitting)  | 155/230      |
| 9        | 383-500-615 | Supply Water Lower Pipe Clamp and Hardware   | 155/230      |
| 10       | 383-500-270 | ½" N.P.T Well for Temperature Gauge  | All          |



## Ultra Series 3 / 3UE / CT - (Ultra-155 / 230) Heat Exchanger / Piping Parts

|     |             |  |         |
|-----|-------------|--|---------|
| 11  | 383-500-275 | Pressure/Temperature Gauge Check Valve   | All     |
| 12  | 383-500-280 | Return Water Bushing, 1¼" BSP x 1" BSP (Not Used On Ultra-310)   | 155/230 |
| 13  | 383-500-285 | Return Water Pipe Assembly - (Includes: Pipe, Drain Valve, Cap (Assembled) and Compression Fitting)        | 155/230 |
| 14  | 511-246-392 | Boiler Drain Valve, ¾" N.P.T.  | All     |
| 15  | 383-500-035 | Blower Assembly Kit (Includes: Blower, Gasket and Hardware)  | 155     |
|     | 383-500-040 |  | 230     |
| 16  | 560-907-683 | Gas Pipe   | 155/230 |
| 17  | 383-500-624 | Flexible Gas Line Section, (Includes Flex-Line and Shut-off Valve)   | 155/230 |
| N/S | 563-910-031 | Gas Valve Block, (Includes Block, O-ring, and Screws)  | All     |
| 18  | 383-500-617 | Gas Pipe Lower Clamp and Hardware  | 155/230 |
| 19  | 383-500-025 | Gas Valve/Venturi Kit (Includes: Gas valve, Venturi, (Make Sure to Reinstall The Existing Propane Orifice) | 155     |
|     | 383-500-030 |  | 230     |
| 20  | 590-318-006 | Gasket Blower (Rubber) Discharge Gasket  | All     |
| 21  | 383-500-295 | Air Silencer Kit (Includes: Air Silencer and Gasket)   | 155/230 |
| 22  | 383-500-060 | Condensate Trap Kit (Includes: Condensate Trap, Hose Clamps, PVC Fittings and Gasket)                      | 155/230 |
| 23  | 383-500-045 | Ignition Electrode Kit (Includes: Ignition Electrode, Suppressor, Gasket and Hardware)                     | All     |
| N/S | 383-500-619 | Ignition Cable Kit (Includes: Ignition Cable, Suppressor and Wire Tie)                                     | All     |
| 24  | 383-500-020 | Inspection Glass Kit (Includes: Bracket, Glass, Gasket and Hardware)                                       | All     |
| 25  | 383-500-085 | Burner Replacement Kit (Includes: Burner, Gaskets and Hardware)  | 155     |
|     | 383-500-090 |  | 230     |
| N/S | 383-900-090 | Burner Insert Repair Kit (Includes Drill, Tap, Insert, Screws, Instructions)                               | 155/230 |
|     | 383-500-660 | Burner Screw/Tab Kit (Includes: 3 Burner Screws and 3 Tabs)  | All     |
| 26  | 383-500-602 | Return/Supply Sensor Kit - (1) Sensor  | All     |
| N/S | 383-600-009 | Gas Valve "O" Ring (Includes (10) "O" Rings)   | All     |
|     | 590-318-006 | Rubber Gasket For Inducer Discharge To Heat Exchanger  | All     |
|     | 590-317-310 | Cork Gasket (Goes Between Gas Valve Venture and Blower)  | All     |

## Ultra Series 3 / 3UE / CT - (Ultra-299 / 310 / 399) Heat Exchanger / Piping Parts



| Fig. No. | Part No.    | Description  | Boiler Model |
|----------|-------------|--|--------------|
| 1        | 383-500-675 | Heat Exchanger Replacement Kit (Includes: Heat Exchanger, Cover Plate, Burner, Electrode, Water Sensors, Compression Fittings, Condensate Fitting, Gaskets and Hardware) | 299/399      |
| 2        | 383-500-395 | Cover Plate Replacement Kit (Includes: Cover Plate, Cover Plate Gasket, Burner Gasket and Hardware)  | 299/399      |
| 3        | 383-500-250 | Cover Plate Insulation/Burner Gasket   | 299/399      |
| 4        | 383-500-255 | Cover Plate Gasket   | 299/399      |
| 5        | 560-340-598 | Cover Plate Studs, M6, 1 Pitch   | All          |
| 6        | 561-928-449 | Cover Plate Nuts, M6, 1 Pitch  | All          |
| 7        | 383-500-380 | Supply Water Pipe Assembly (Includes: Pipe, Temperature Well, Check Valve, Cap (Assembled) and Compression Fitting)  | 299-399      |
| 8        | 383-500-270 | ½" N.P.T. Well For Temperature Gauge   | All          |
| 9        | 383-500-275 | Pressure/Temperature Gauge Check Valve   | All          |

**Ultra Series 3 / 3UE / CT - (Ultra-299 / 310 / 399)  
Heat Exchanger / Piping Parts**

| Fig. No. | Part No.    | Description   | Boiler Model |
|----------|-------------|---|--------------|
| 10       | 383-500-385 | Return Water Pipe Assembly (Includes: Pipe, Drain Valve, Cap (Assembled) and Compression Fitting)                               | 299/399      |
| 11       | 562-248-755 | Supply/Return Water Piping Square Cut Garlock Gasket  | 299-399      |
| 12       | 561-326-828 | Fitting, Double Nipple For Supply/Return  | 299-399      |
| 13       | 511-246-392 | Boiler Drain Valve, 3/4" N.P.T  | All          |
| 14       | 383-500-360 | Blower Assembly Kit (Includes: Blower, Gasket, and Hardware)  | 299/310      |
|          | 383-500-650 |   | 399          |
| 15       | 560-907-679 | Gas Pipe  | 299-399      |
| 16       | 560-900-016 | Flexible Gas Line Section and Shut-off Valve  | 299/310      |
|          | 383-500-653 |   | 399          |
| N/S      | 563-910-031 | Gas Valve Block - (Includes Block, O-ring, and Screws)  |              |
| 17       | 383-500-625 | Gas Pipe Lower Clamp and Hardware   | 299/310      |
| 18       | 383-500-390 | Gas Valve/Venturi Kit - (Includes: Gas valve, Venturi, (For 310LP Boilers, Make Sure To Reinstall The Existing Propane Orifice) | 299          |
|          | 383-500-652 | Gas Valve Kit (Includes: Gas Valve, Venturi and Burner Inlet)   | 399          |
| 19       | 383-500-651 | Gas Valve Outlet Adapter/Nipple Kit   | 399          |
| 20       | 590-317-310 | Gasket Cork (For In Between Gas Valve Venturi and Blower Inlet)   | 299/310      |
| 21       | 383-500-355 | Air Silencer Kit (Includes: Air Silencer and Gasket)  | 299/310      |
|          | 383-500-654 |   | 399          |
| 22       | 383-500-045 | Ignition Electrode Kit (Includes: Ignition Electrode, Suppressor, Gasket and Hardware)  | All          |
|          | 511-330-253 | Ignition Electrode Gasket Only  |              |
| N/S      | 383-500-619 | Ignition Cable Kit (Includes: Ignition Cable, Suppressor and Wire Tie)  | All          |
| 23       | 383-500-020 | Inspection Glass Kit (Includes: Bracket, Glass, Gasket and Hardware)  | All          |
| 24       | 383-500-407 | Burner Replacement Kit (Includes: Burner, Gaskets and Hardware)   | 299-399      |
| N/S      | 383-900-090 | Burner Insert Repair Kit (Includes Drill, Tap, Insert, Screws, Instructions)  | 299-399      |
|          | 383-500-660 | Burner Screw/Tab Kit (Includes: 3 Burner Screws and 3 Tabs)   | All          |
| 25       | 383-500-602 | Return/Supply Sensor Kit - (1) Sensor   | All          |
| 26       | 383-500-626 | Condensate Trap Kit - (Includes: Condensate Trap, Hose Clamps, PVC Fittings and Gasket)   | 299-399      |
| N/S      | 383-600-009 | Gas Valve O-Rings (10 Per Bag)  | All          |

# Ultra Series 3 / 3UE / CT Electrical / Controls



GAS

## Ultra Series 3 / 3UE / CT Electrical / Control Parts

| Fig. No. | Part No.    | Description  |
|----------|-------------|--|
| 1        | 383-500-658 | Ultra U-Control Module   |
| 2        | 383-500-628 | Transformer, 120v/24v - 50VA   |
| 3        | 383-500-659 | Display Board Assembly (Includes: Plastic and Display Screen)  |
| 4        | 383-500-205 | On/Off Power Switch  |
| 5        | 383-500-630 | Pressure/Temperature Gauge Assembly (Includes: Temperature and Pressure Sensor)  |
| 6        | 383-500-600 | Flue Temperature Sensor Replacement Kit - (Includes Sensor and Grommet)  |
| 7        | 590-318-011 | Flue Temperature Sensor Grommet  |
| 8        | 383-500-601 | System Temperature Sensors (2 Required)  |
| 9        | 383-500-638 | 120 Volt, 3-Wire Receptacle  |
| 10       | 383-500-603 | Ultra U-Control Module Fuses F - 3-Amp, Fast-Blow ATO (5 Fuses)  |
| 11       | 383-500-604 | Ultra U-Control Module Fuses F - 12-Amp, Fast-Blow AG (5 Fuses)  |
| 12       | 383-500-641 | Jumper For Low Voltage Terminal Blocks, (5 Jumpers)  |
| 13       | 383-500-642 | Ultra U-Control Terminal Block Kit, (Includes: 1 High Voltage Terminal Block, 6 Low Voltage Terminal Blocks and Screwdriver) |
| 14       | 383-500-636 | Upper Low Voltage Wire Harness (Male)  |
| 15       | 383-500-633 | Display To U-Control Wire Harness  |
| 16       | 383-500-125 | Outdoor Temperature Sensor   |
| N/S      | 383-500-634 | Upper Line Voltage Wire Harness (Male)   |
|          | 383-500-635 | Lower Line Voltage Wire Harness (Female)   |
|          | 383-500-637 | Lower Low Voltage Wire Harness (Female)  |
|          | 511-100-005 | 24-V LWCO Kit with Quick Connect Harness   |

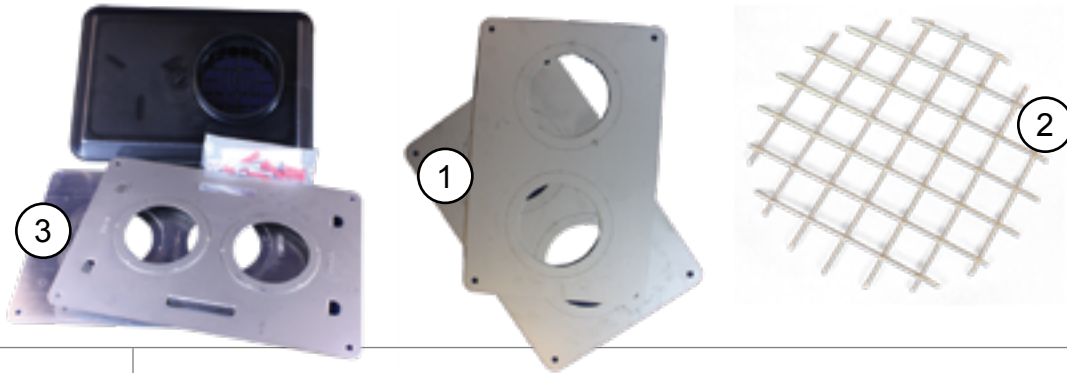
## Ultra Series 3 / 3UE / CT Natural to Propane Conversion



| <b>Sea Level to 5500 Feet Altitude</b>                      |       |   |             |
|---|-------|---|-------------|
| Fig No  | Model | Description   | Part Number |
| 1   | 80    | LP Orifice, LP Burner, Instructions, Conversion Label. Order Separately if Converting Natural Gas Boiler.         | 383-501-020 |
| 2   | 105   | LP Orifice, Instructions and Conversion Label. Provided with Boiler   | 540-100-001 |
|   | 155   |   | 383-500-115 |
|   | 230   |   | 383-500-120 |
|   | 299   |   | 540-202-832 |
|   | 310   |   | 540-202-833 |
| N/S   | 399   | LP Orifice Not Provided. Adjustment Made with Throttle Screw. See Boiler Manual                                   | NA          |
| <b>Above 5500 Feet Altitude</b>                             |       |   |             |
| 1   | 80    | LP HA (High Altitude) Orifice. Requires Nat to LP Conversion From Above To Replace Natural Burner With LP Burner. | 383-500-644 |
| 2   | 105   | LP Orifice, Instructions and Conversion Label   | 383-500-645 |
|   | 155   |   | 383-500-646 |
|   | 230   |   | 383-500-647 |
|   | 299   |   | 383-500-394 |
|   | 310   |   | 383-500-648 |
| N/S   | 399   | LP Orifice Not Provided. Adjustment Made With Throttle Screw. See Boiler Manual.                                  | NA          |
| <b>Ultra Series 3, 3UE,CT Propane To Natural Conversion</b> |       |   |             |
| <b>Sea Level to 5500 Feet Altitude</b>                      |       |   |             |
| N/S   | 80    | Natural Gas Burner, Instructions, Conversion Label. Order Separately if Converting LP Gas Boiler.                 | 383-501-021 |

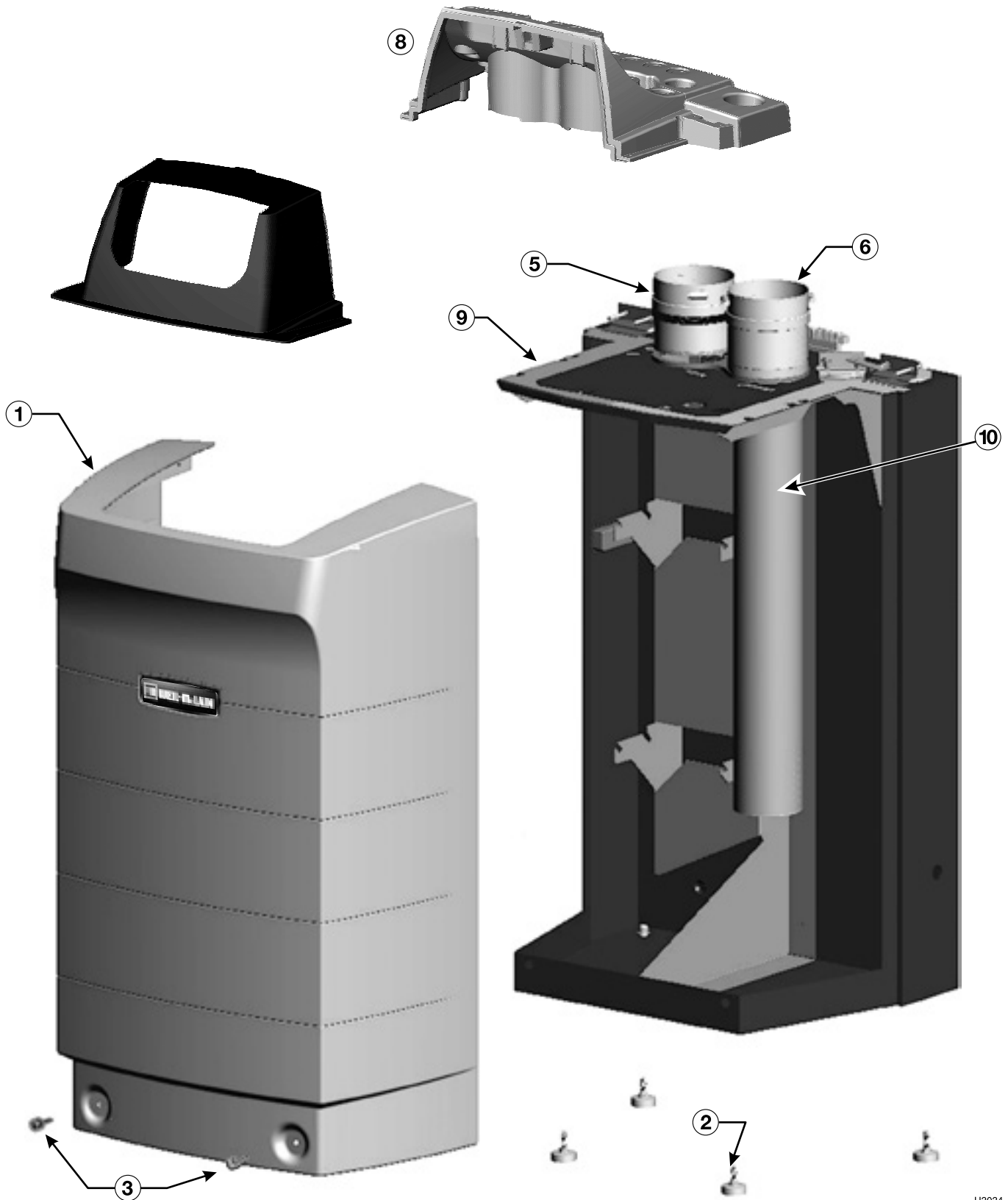
GAS

## Ultra Series 3 / 3UE / CT Miscellaneous Parts And Kits



| Fig. No. | Part No.    | Description   | Model       |
|----------|-------------|---|-------------|
| N/S      | 511-405-113 | Boiler Circulator, Without Flanges  | 80/105      |
|          | 511-405-133 | Boiler Circulator, Without Flanges  | 155/230/310 |
|          | 511-405-140 | Boiler Circulator, Without Flanges  | 399         |
|          | 381-354-525 | Circulator Hardware Kit – Inlet, 1" (Includes: 1 Flange, 2 Nuts, 2 Screws and 1 Gasket)   | 80 - 230    |
|          | 381-354-526 | Circulator Hardware Kit (Includes: Flange, Nuts, Screws and Gasket) 1¼"   | 80 - 310    |
|          | 381-354-531 | Circulator Hardware Kit (Includes: Flange, Nuts, Screws and Gasket) 1½"   | 310         |
|          | 383-500-350 | Concentric Vent Kit   | 80 - 155    |
|          | 383-500-631 | Condensate Neutralizer Kit  | All         |
|          | 591-706-200 | Heat Exchanger Cleaning Tool  | All         |
|          | 383-500-605 | Maintenance Kit (Includes: Igniter, Igniter Gasket, Cover Plate Gasket, Cover Plate Insulation, Burner Gasket and Venturi Gasket) | 80/105      |
|          | 383-500-620 | Maintenance Kit (Includes: Igniter, Igniter Gasket, Cover Plate Gasket, Cover Plate Insulation, Burner Gasket and Venturi Gasket) | 155 - 399   |
|          | 560-340-598 | Cover Plate Studs - M6  | All         |
|          | 561-928-449 | Cover Plate Nut With Washer - M6-18MM   | All         |
|          | 383-500-095 | Pressure Relief Valve, ASME 30 PSI, ¾" N.P.T Male   | 80 - 310    |
|          | 383-600-091 | Pressure Relief Valve, ASME 30 PSI, ¾" N.P.T Male   | 399         |
| 1        | 383-500-100 | Vent/Air Termination Plate (2 Required For Each Boiler)   | All         |
| 2        | 383-500-105 | Vent Termination Bird Screen (2 Required) 3" Vent   | 80/105/155  |
|          | 383-500-110 | Vent Termination Bird Screen (2 Required) 4" Vent   | 230/310     |
| 3        | 383-500-397 | WM - PVC Sidewall Vent Termination Kit 3"   | 80 - 155    |
|          | 383-500-398 | WM - PVC Sidewall Vent Termination Kit 4"   | 230 - 310   |
| N/S      | 592-900-002 | Corrosion Inhibitor, 1 Tube   | All         |
|          | 592-900-005 | Inhibitor Test Kit, 2 Tests   | All         |
|          | 592-900-003 | Boiler System Cleaner/Sludge Remover  | All         |
|          | 592-900-006 | Aluminum-Safe Anti-Freeze, 5 Gal.   | All         |
|          | 383-500-765 | Ultra 80/105 Easy Up Manifold Service Kit - 1 ¼"  | 80/105      |
|          | 383-500-766 | Ultra 155/399 Easy Up Manifold Service Kit - 1½"  | 155-399     |
|          | 389-900-180 | Wall Mount Kit - (Includes Brackets, Hardware, and Instructions)  | All         |

# Ultra Series 4 Jacket



GAS

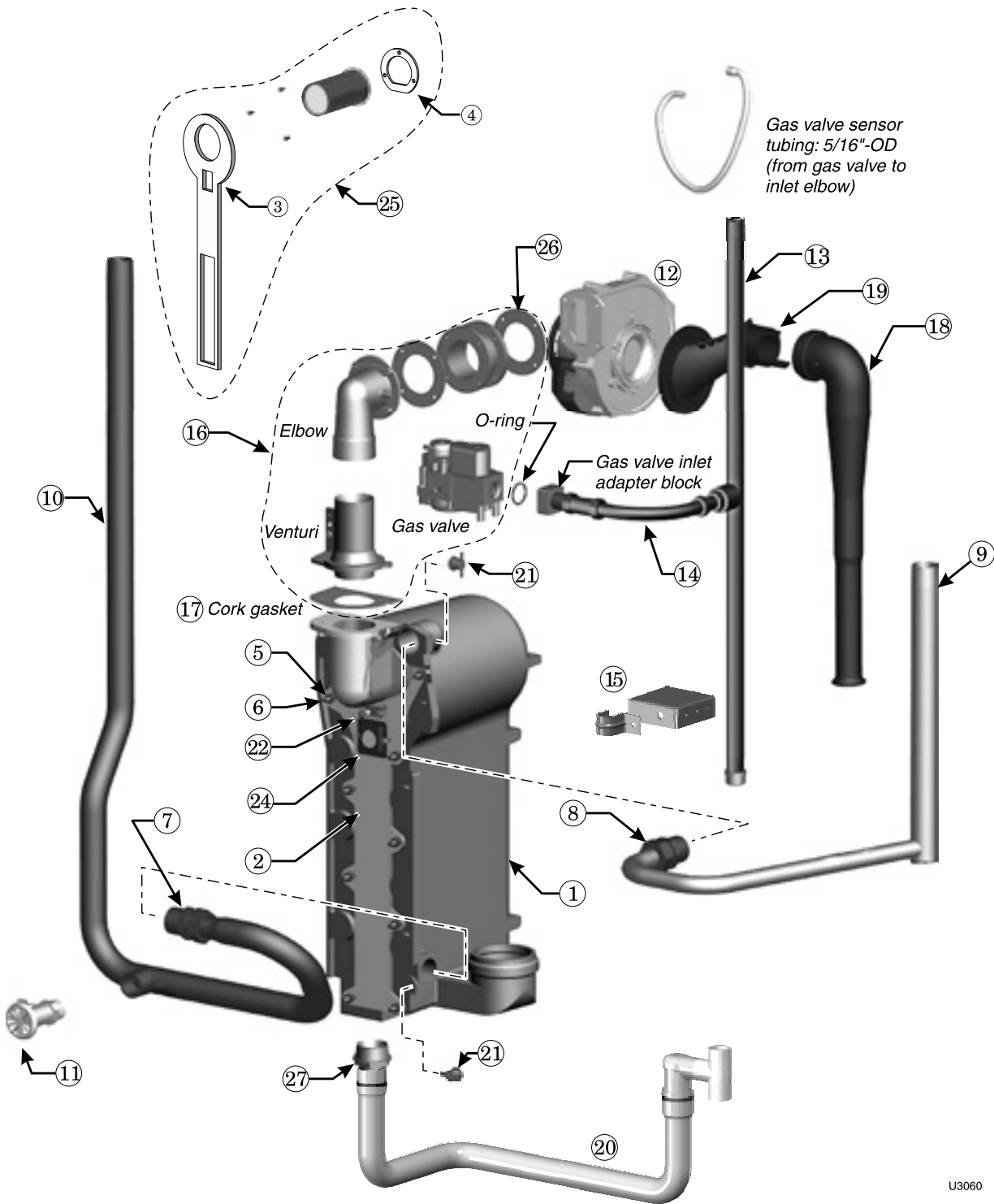
U3034



## Ultra Series 4 Jacket Parts

| Fig. No.    | Part No.    | Description  | Model               |
|-------------|-------------|--|---------------------|
| 1           | 383-500-135 | Jacket Front Door  |                     |
| 2           | 383-500-065 | Boiler Leg Kit (4 Required)  |                     |
| 3           | 562-650-126 | Screw Flat Head Slotted 17 Series For Jacket Front Door (2 Required)   |                     |
| 4           | 383-500-180 | Knurled Heat Screw Clip-On Receptacle (2 Required)                     |                     |
| 5           | 560-907-704 | Air Adapter Assembly (Includes: Adapter, Gasket, and Mounting Bracket) | 80/105              |
|             | 560-907-707 | Air Adapter Assembly (Includes: Adapter, Gasket, and Mounting Bracket) | 155                 |
|             | 560-907-710 | Air Adapter Assembly (Includes: Adapter, Gasket, and Mounting Bracket) | 230-399             |
| 6/10        | 560-907-771 | Flue Outlet Adapter - 3"   | 80/105<br>155       |
|             | 560-907-773 | Flue Outlet Adapter - 4"   | 230-399             |
| 7           | 383-500-607 | Top Cover, Front   |                     |
| 8           | 383-500-608 | Top Cover, Rear  | 80 to 230           |
|             | 383-500-609 | Top Cover, Rear  | 310/299/<br>399     |
| 9           | 383-500-610 | Door Gasket Replacement Kit  | All                 |
|             | 560-907-775 | Flue Pipe - 3"   | 80-105              |
|             | 460-005-796 | Bracket  |                     |
|             | 562-500-001 | Clamp  |                     |
|             | 560-907-772 | Flue Pipe - 3"   | 155                 |
|             | 460-005-797 | Bracket  |                     |
|             | 562-500-002 | Clamp  |                     |
|             | 560-907-774 | Flue Pipe - 4"   | 230-399             |
|             | 460-005-798 | Bracket  |                     |
| 562-500-003 | Clamp       |  |                     |
| N/S         | 592-002-033 | Touch Up Paint - Black - Low E 4.5oz Can                               | All                 |
|             | 592-800-022 | 3" Flue/Intake Gasket  | 80/105/155          |
|             | 592-800-023 | 4" Flue/Intake Gasket  | 230/299/<br>310/399 |
|             | 590-318-007 | 70mm Lower Flue-Way Gasket   | 80/105              |
|             | 590-318-003 | 80mm Lower Flue-Way Gasket   | 155                 |
|             | 590-318-004 | 100mm Lower Flue-Way Gasket  | 230/299/<br>310/399 |

# Ultra Series 4 - (Ultra-80/105) Heat Exchanger / Piping



U3060

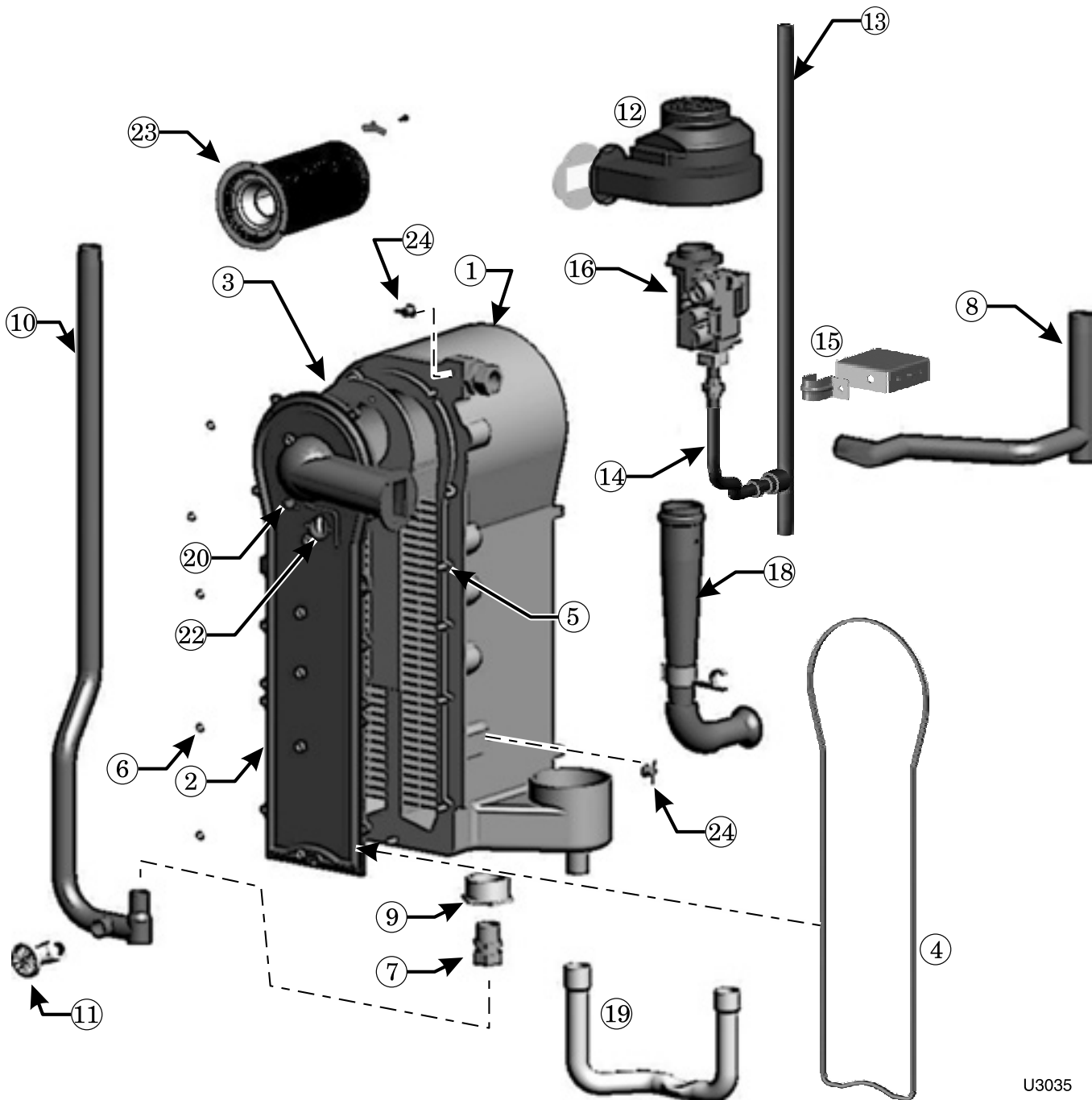
| Fig. No. | Part No.    | Description   | Boiler Models |
|----------|-------------|---|---------------|
| 1        | 383-500-670 | Heat Exchanger Replacement Kit - (Includes: Heat Exchanger, Cover Plate, Burner, Electrode, Water Sensors, Compression Fittings, Condensate Fitting, Gaskets, and Hardware) | 80NG          |
|          | 383-500-671 |   | 80LP          |
|          | 383-500-672 |   | 105           |

GAS

## Ultra Series 4 - (Ultra-80/105) Heat Exchanger / Piping Parts

| Fig. No. | Part No.    | Description  | Boiler Models |
|----------|-------------|--|---------------|
| 2        | 383-501-022 | Cover Plate Replacement Kit - (Includes: Cover Plate, Cover Plate Gasket, Burner Gasket, and Hardware)   | 80/105        |
| 3        | 591-200-000 | Cover Plate Gasket/Insulation  | 80/105        |
| 4        | 590-300-000 | Burner Gasket  | 80/105        |
| 5        | 560-340-598 | Cover Plate Studs, M6, 1 Pitch   | All           |
| 6        | 561-928-449 | Cover Plate Nuts, M6, 1 Pitch  | All           |
| 7        | 383-500-260 | Water Compression Fitting, 28 mm   | 80/105        |
| 8        | 564-100-002 | Water Compression Fitting, 22 mm   | 80/105        |
| 9        | 383-501-036 | Supply Water Pipe Assembly - (Includes: Pipe, Temperature Well, Check Valve, Cap, Compression Fittings and Plugs)  | 80/105        |
| N/S      | 383-500-615 | Supply Water Lower Pipe Clamp and Hardware   | 80/105        |
| 10       | 383-501-037 | Return Water Pipe Assembly - (Includes: Pipe, Drain Valve, Cap (Assembled) and Compression Fitting)  | 80/105        |
| 11       | 511-246-392 | Boiler Drain Valve, 3/4" N.P.T.  | All           |
| 12       | 383-501-027 | Blower Assembly Kit - (Includes: Blower, Gasket, and Hardware)   | 80/105        |
| 13       | 560-907-682 | Gas Pipe   | 80/105        |
| 14       | 383-500-616 | Flexible Gas Line Section  | 80/105        |
| 15       | 383-500-617 | Gas Pipe Lower Pipe Clamp And Hardware   | 80/105        |
| N/S      | 563-910-031 | Gas Valve Block (Includes Block, O-ring, and Screws)   | All           |
| 16       | 383-501-029 | Gas Valve/Venturi Kit - (Includes: Gas Valve, Venturi, 90° Elbow, Gaskets, and Hardware (Assembled)) (For LP boilers, Make Sure to Reinstall The Existing Propane Orifice) | 80            |
|          | 383-501-030 |  | 105           |
| 17       | 590-317-310 | Gasket Cork (For In Between Gas Valve Venturi and Burner Inlet)  | All           |
| 18       | 383-501-026 | Air Silencer Kit - Air Silencer and Gasket   | 80/105        |
| 19       | 383-501-025 | Air Silencer Adapter Kit - Air Silencer Adapter and Hardware   | 80/105        |
| 20       | 383-501-031 | Condensate Trap Kit - Condensate Trap, Hose Clamps, PVC Fittings and Gasket  | 80/105        |
| 21       | 383-500-602 | Return/Supply Sensor Kit - (1) Sensor  | All           |
| 22       | 383-500-045 | Ignition Electrode Kit - Ignition Electrode, Suppressor, Gasket and Hardware   | All           |
| N/S      | 511-330-253 | Ignition Electrode Gasket ONLY   | All           |
|          | 383-500-619 | Ignition Cable Kit - Ignition Cable, Suppressor and Wire Tie   | All           |
| 24       | 383-500-020 | Inspection Glass Kit - Bracket, Glass, Gasket and Hardware   | All           |
| 25       | 383-501-032 | Burner Replacement Kit - Burner, Gaskets and Hardware  | 80NG          |
|          | 383-501-033 |  | 80LP          |
|          | 383-501-034 |  | 105           |
| N/S      | 383-900-090 | Burner Insert Repair Kit (Includes Drill, Tap, Inserts, Screws, Instructions)  | All           |
| 26       | 590-300-003 | Gasket Rubber, Blower  | 80/105        |
| 27       | 561-200-000 | Condensate Fitting   | 80/105        |
| N/S      | 383-600-009 | Gas Valve "O" ring, Includes 10 "O" Rings  | All           |
|          | 590-317-310 | Cork Gasket (Goes Between Gas Valve and Blower)  | All           |
|          | 590-300-001 | Silicone Tube - From Gas Valve To 90° Elbow  | 80/105        |

## Ultra Series 4 - (Ultra-155 / 230) Heat Exchanger / Piping Parts



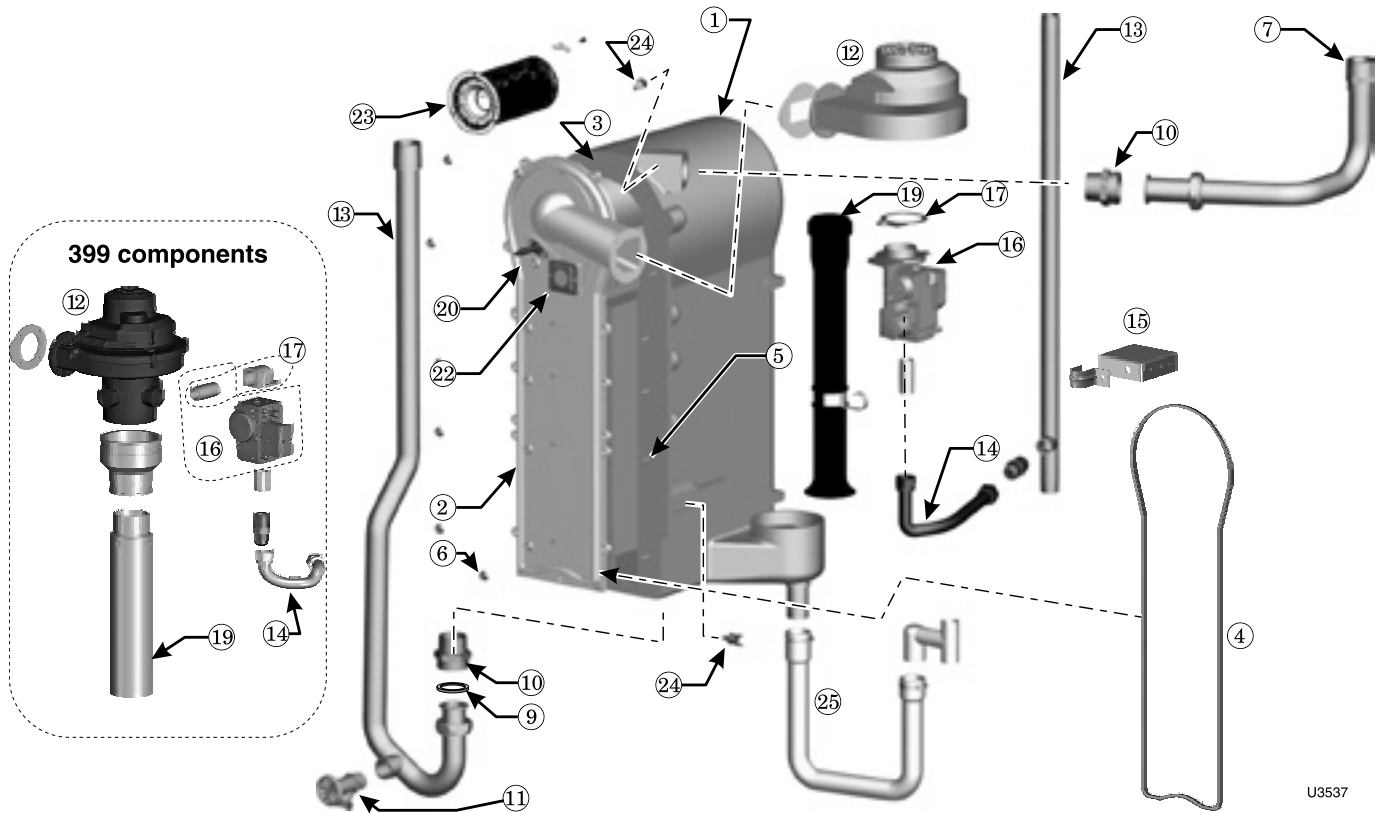
U3035

| Fig. No. | Part No.    | Description  | Boiler Model |
|----------|-------------|--|--------------|
| 1        | 383-500-673 | Heat Exchanger Replacement Kit - (Includes: Heat Exchanger, Cover Plate, Burner, Electrode, Water Sensors, Compression Fittings, Condensate Fitting, Gaskets and Hardware) | 155          |
|          | 383-500-674 |  | 230          |
| 2        | 383-500-395 | Cover Plate Replacement Kit - (Includes: Cover Plate, Cover Plate Gasket, Burner Gasket and Hardware)  | 155/230      |

## Ultra Series 4 - (Ultra-155 / 230) Heat Exchanger / Piping Parts

| Fig. No. | Part No.    | Description   | Boiler Model |
|----------|-------------|---|--------------|
| 3        | 383-500-250 | Cover Plate Insulation/Burner Gasket  | 155/230      |
| 4        | 383-500-255 | Cover Plate Gasket  | 155/230      |
| 5        | 560-340-598 | Cover Plate Studs, M6, 1 Pitch  | All          |
| 6        | 561-928-449 | Cover Plate Nuts, M6, 1 Pitch   | All          |
| 7        | 383-500-260 | Water Compression Fitting, 28 mm  | 155/230      |
| 8        | 383-500-762 | Supply Water Pipe Assembly - Includes (Pipe, Temperature Well, Check Valve, Cap Compression Fitting, and Plugs) | 155/230      |
| 9        | 383-500-280 | Return Water Bushing, 1¼" BSP x 1" BSP (Not Used On Ultra-310)  | 155/230      |
| 10       | 383-500-763 | Return Water Pipe Assembly - (Includes: Pipe, Drain Valve, Cap (Assembled) and Compression Fitting)             | 155/230      |
| 11       | 511-246-392 | Boiler Drain Valve, ¾" N.P.T.   | All          |
| 12       | 383-500-035 | Blower Assembly Kit (Includes: Blower, Gasket and Hardware)   | 155          |
|          | 383-500-040 |   | 230          |
| 13       | 560-907-683 | Gas Pipe  | 155/230      |
| 14       | 383-500-624 | Flexible Gas Line   | 155/230      |
| N/S      | 563-910-031 | Gas Valve Block, (Includes Block, O-ring, and Screws)   |              |
| 15       | 383-500-617 | Gas Pipe Lower Clamp and Hardware   | 155/230      |
| 16       | 383-500-025 | Gas Valve/Venturi Kit (Includes: Gas valve, Venturi, (Make Sure to Reinstall The Existing Propane Orifice)      | 155          |
|          | 383-500-030 |   | 230          |
| 18       | 383-500-295 | Air Silencer Kit (Includes: Air Silencer and Gasket)  | 155/230      |
| 19       | 383-500-060 | Condensate Trap Kit (Includes: Condensate Trap, Hose Clamps, PVC Fittings and Gasket)                           | 155/230      |
| 20       | 383-500-045 | Ignition Electrode Kit (Includes: Ignition Electrode, Suppressor, Gasket and Hardware)                          | All          |
| N/S      | 511-330-253 | Ignition Electrode Gasket ONLY  | All          |
|          | 383-500-619 | Ignition Cable Kit (Includes: Ignition Cable, Suppressor and Wire Tie)  | All          |
| 22       | 383-500-020 | Inspection Glass Kit (Includes: Bracket, Glass, Gasket and Hardware)  | All          |
| 23       | 383-500-085 | Burner Replacement Kit (Includes: Burner, Gaskets and Hardware)   | 155          |
|          | 383-500-090 |   | 230          |
| N/S      | 383-900-090 | Burner Insert Repair Kit (Includes Drill, Tap, Insert, Screws, Instructions)                                    | 155/230      |
|          | 383-500-660 | Burner Screw/Tab Kit (Includes: 3 Burner Screws and 3 Tabs)   | All          |
| 24       | 383-500-602 | Return/Supply Sensor Kit - (1) Sensor   | All          |
| N/S      | 383-600-009 | Gas Valve "O" Ring (Includes (10) "O" Rings)  | All          |
|          | 590-318-006 | Rubber Gasket For Inducer Discharge To Heat Exchanger   | All          |
|          | 590-317-310 | Cork Gasket (Goes Between Gas Valve Venture and Blower)   | All          |
|          | 590-318-006 | Gasket Blower (Rubber) Discharge Gasket   | All          |

## Ultra Series 4 - (Ultra-299 / 310 / 399) Heat Exchanger / Piping Parts



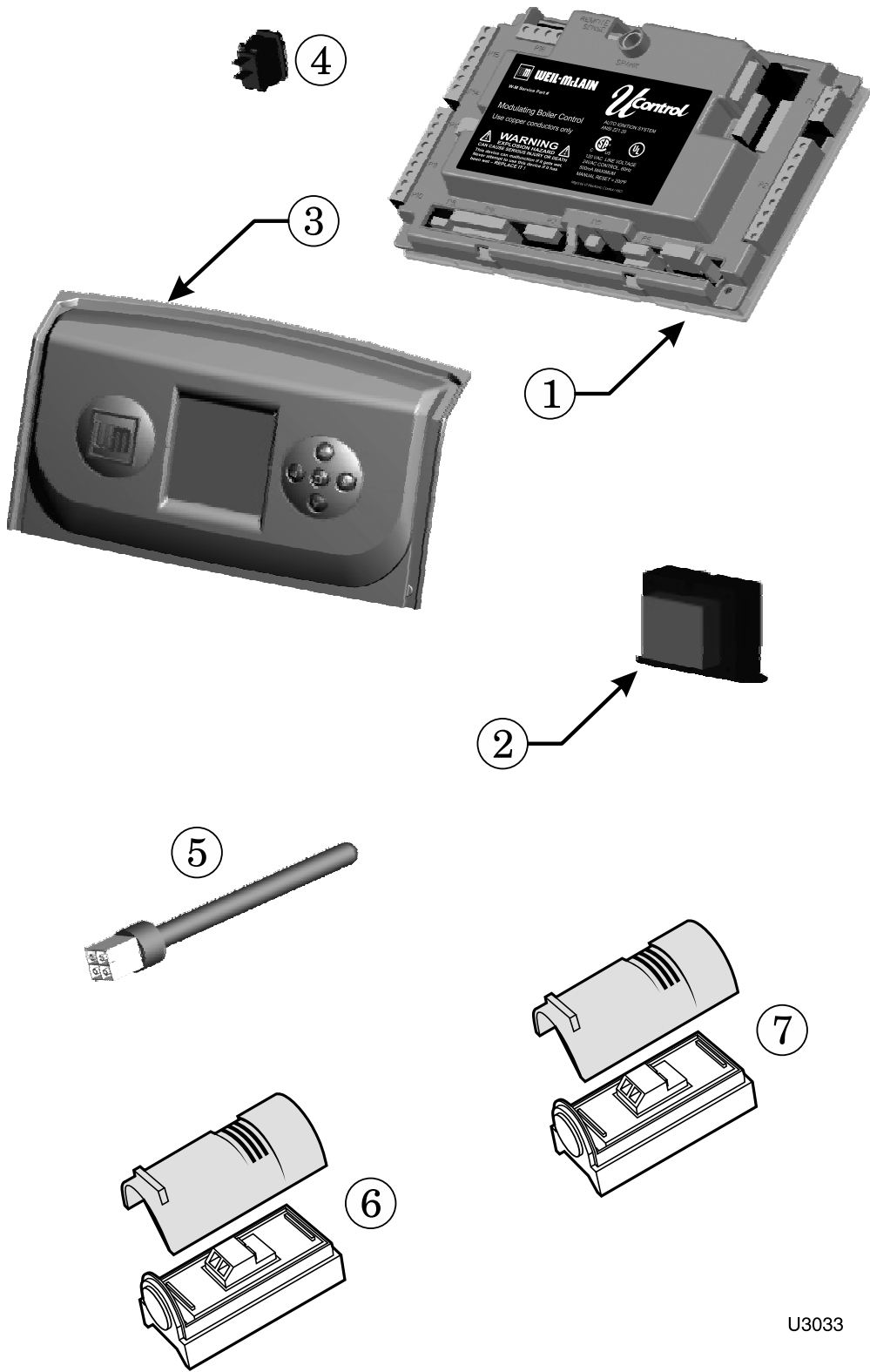
U3537

| Fig. No. | Part No.    | Description  | Boiler Model |
|----------|-------------|--|--------------|
| 1        | 383-500-675 | Heat Exchanger Replacement Kit (Includes: Heat Exchanger, Cover Plate, Burner, Electrode, Water Sensors, Compression Fittings, Condensate Fitting, Gaskets and Hardware) | 299/399      |
| 2        | 383-500-395 | Cover Plate Replacement Kit (Includes: Cover Plate, Cover Plate Gasket, Burner Gasket and Hardware)  | 299/399      |
| 3        | 383-500-250 | Cover Plate Insulation/Burner Gasket   | 299/399      |
| 4        | 383-500-255 | Cover Plate Gasket   | 299/399      |
| 5        | 560-340-598 | Cover Plate Studs, M6, 1 Pitch   | All          |
| 6        | 561-928-449 | Cover Plate Nuts, M6, 1 Pitch  | All          |
| 7        | 383-500-764 | Supply Water Pipe Assembly - Includes ( Pipe, Temperature Well, Check Valve, Cap, and Compression Fitting  | 299-399      |

## Ultra Series 4 - (Ultra-299 / 310 / 399) Heat Exchanger / Piping Parts

| Fig. No. | Part No.    | Description   | Boiler Model |
|----------|-------------|---|--------------|
| 8        | 383-500-385 | Return Water Pipe Assembly (Includes: Pipe, Drain Valve, Cap (Assembled) and Compression Fitting)                               | 299/399      |
| 9        | 562-248-755 | Supply/Return Water Piping Square Cut Garlock Gasket  | 299-399      |
| 10       | 561-326-828 | Fitting, Double Nipple For Supply/Return  | 299-399      |
| 11       | 511-246-392 | Boiler Drain Valve, 3/4" N.P.T  | All          |
| 12       | 383-500-360 | Blower Assembly Kit (Includes: Blower, Gasket, and Hardware)  | 299/310      |
|          | 383-500-650 |   | 399          |
| 13       | 560-907-679 | Gas Pipe  | 299-399      |
| 14       | 383-500-768 | Flexible Gas Line   | 299-399      |
| 15       | 383-500-625 | Gas Pipe Lower Clamp and Hardware   | 299/310      |
| 16       | 383-500-390 | Gas Valve/Venturi Kit - (Includes: Gas valve, Venturi, (For 310LP Boilers, Make Sure To Reinstall The Existing Propane Orifice) | 299          |
|          | 383-500-652 | Gas Valve Kit (Includes: Gas Valve, Venturi and Burner Inlet)   | 399          |
| 17       | 383-500-651 | Gas Valve Outlet Adapter/Nipple Kit   | 399          |
| 18       | 590-317-310 | Gasket Cork (For In Between Gas Valve Venturi and Blower Inlet)   | 299/310      |
| 19       | 383-500-355 | Air Silencer Kit (Includes: Air Silencer and Gasket)  | 299/310      |
|          | 383-500-654 |   | 399          |
| 20       | 383-500-045 | Ignition Electrode Kit (Includes: Ignition Electrode, Suppressor, Gasket and Hardware)  | All          |
|          | 511-330-253 | Ignition Electrode Gasket Only  | All          |
| N/S      | 383-500-619 | Ignition Cable Kit (Includes: Ignition Cable, Suppressor and Wire Tie)  | All          |
| 22       | 383-500-020 | Inspection Glass Kit (Includes: Bracket, Glass, Gasket and Hardware)  | All          |
| 23       | 383-500-407 | Burner Replacement Kit (Includes: Burner, Gaskets and Hardware)   | 299-399      |
| N/S      | 383-900-090 | Burner Insert Repair Kit (Includes Drill, Tap, Insert, Screws, Instructions)  | 299-399      |
|          | 383-500-660 | Burner Screw/Tab Kit (Includes: 3 Burner Screws and 3 Tabs)   | All          |
| 24       | 383-500-602 | Return/Supply Sensor Kit - (1) Sensor   | All          |
| 25       | 383-500-626 | Condensate Trap Kit - (Includes: Condensate Trap, Hose Clamps, PVC Fittings and Gasket)   | 299-399      |
| N/S      | 383-600-009 | Gas Valve O-Rings (10 Per Bag)  | All          |
|          | 563-910-031 | Gas Valve Block - (Includes Block, O-ring, and Screws)  |              |

# Ultra Series 4 Electrical / Controls



GAS

U3033



## Ultra Series 4 Electrical / Control Parts

| Fig. No. | Part No.    | Description  |
|----------|-------------|--|
| 1        | 383-500-658 | Ultra U-Control Module   |
| 2        | 383-500-628 | Transformer, 120v/24v - 50VA   |
| 3        | 383-500-756 | Display Board Assembly (Includes: Plastic and Display Screen)  |
| 4        | 383-500-205 | On/Off Power Switch  |
| 5        | 383-500-600 | Flue Temperature Sensor Replacement Kit - (Includes Sensor and Grommet)  |
| N/S      | 590-318-011 | Flue Temperature Sensor Grommet  |
| 6        | 383-500-601 | System Temperature Sensors (2 Required)  |
| 7        | 510-312-218 | Outdoor Temperature Sensor   |
|          | 383-500-638 | 120 Volt, 3-Wire Receptacle  |
|          | 383-500-603 | Ultra U-Control Module Fuses F - 3-Amp, Fast-Blow ATO (5 Fuses)  |
|          | 383-500-604 | Ultra U-Control Module Fuses F - 12-Amp, Fast-Blow AG (5 Fuses)  |
|          | 383-500-641 | Jumper For Low Voltage Terminal Blocks, (5 Jumpers)  |
| N/S      | 383-500-642 | Ultra U-Control Terminal Block Kit, (Includes: 1 High Voltage Terminal Block, 6 Low Voltage Terminal Blocks and Screwdriver) |
|          | 383-500-640 | Low Voltage Wire Harness   |
|          | 383-500-633 | Display To U-Control Wire Harness  |
|          | 383-500-639 | Line Voltage Wire Harness  |
|          | 511-100-005 | 24-V LWCO Kit with Quick Connect Harness   |

## Ultra Series 4 Natural to Propane Conversion

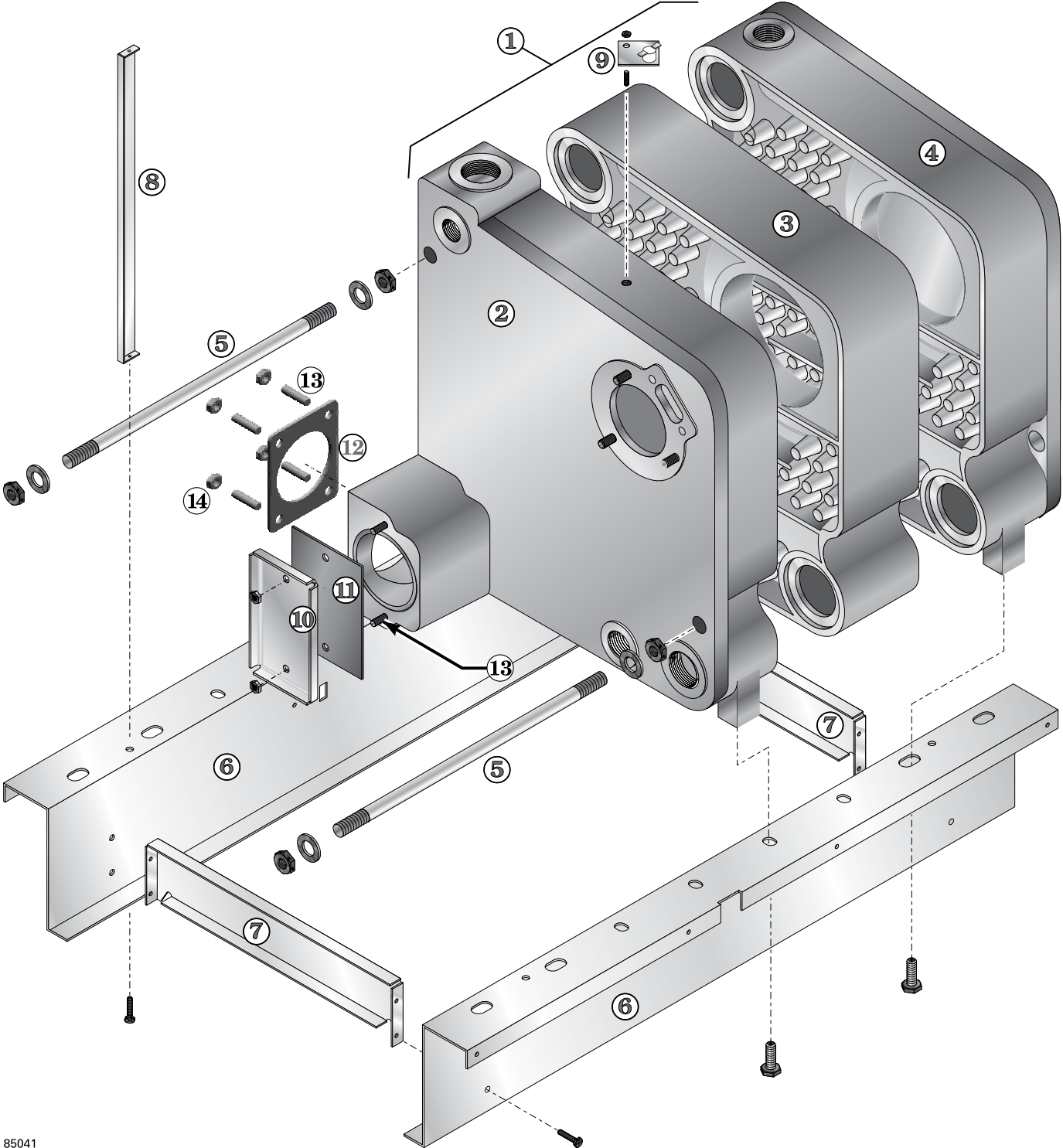


| <b>Sea Level to 5500 Feet Altitude</b>                |       |   |             |
|---|-------|---|-------------|
| Fig No  | Model | Description   | Part Number |
| 1   | 80    | LP Orifice, LP Burner, Instructions, Conversion Label. Order Separately if Converting Natural Gas Boiler.         | 383-501-020 |
| 2   | 105   | LP Orifice, Instructions and Conversion Label. Provided with Boiler   | 540-100-001 |
|   | 155   |   | 383-500-115 |
|   | 230   |   | 383-500-120 |
|   | 299   |   | 540-202-832 |
|   | 310   |   | 540-202-833 |
| N/S   | 399   | LP Orifice Not Provided. Adjustment Made with Throttle Screw. See Boiler Manual                                   | NA          |
| <b>Above 5500 Feet Altitude</b>                       |       |   |             |
| 1   | 80    | LP HA (High Altitude) Orifice. Requires Nat to LP Conversion From Above To Replace Natural Burner With LP Burner. | 383-500-644 |
| 2   | 105   | LP Orifice, Instructions and Conversion Label   | 383-500-645 |
|   | 155   |   | 383-500-646 |
|   | 230   |   | 383-500-647 |
|   | 299   |   | 383-500-394 |
|   | 310   |   | 383-500-648 |
| N/S   | 399   | LP Orifice Not Provided. Adjustment Made With Throttle Screw. See Boiler Manual.                                  | NA          |
| <b>Ultra Series 4 - Propane To Natural Conversion</b> |       |   |             |
| <b>Sea Level to 5500 Feet Altitude</b>                |       |   |             |
| N/S   | 80    | Natural Gas Burner, Instructions, Conversion Label. Order Separately if Converting LP Gas Boiler.                 | 383-501-021 |

## Ultra Series 4 Miscellaneous Parts And Kits

| Part No.    | Description   | Model       |
|-------------|---|-------------|
| 511-405-113 | Boiler Circulator, Without Flanges  | 80/105      |
| 511-405-133 | Boiler Circulator, Without Flanges  | 155/230/310 |
| 511-405-140 | Boiler Circulator, Without Flanges  | 399         |
| 381-354-525 | Circulator Hardware Kit – Inlet, 1" (Includes: 1 Flange, 2 Nuts, 2 Screws and 1 Gasket)   | 80 - 230    |
| 381-354-526 | Circulator Hardware Kit (Includes: Flange, Nuts, Screws and Gasket) 1¼"   | 80 - 310    |
| 381-354-531 | Circulator Hardware Kit (Includes: Flange, Nuts, Screws and Gasket) 1½"   | 310         |
| 383-500-350 | Concentric Vent Kit - 3" ONLY   | 80 - 155    |
| 383-500-631 | Condensate Neutralizer Kit  | All         |
| 591-706-200 | Heat Exchanger Cleaning Tool  | All         |
| 383-500-605 | Maintenance Kit (Includes: Igniter, Igniter Gasket, Cover Plate Gasket, Cover Plate Insulation, Burner Gasket and Venturi Gasket) | 80/105      |
| 383-500-620 | Maintenance Kit (Includes: Igniter, Igniter Gasket, Cover Plate Gasket, Cover Plate Insulation, Burner Gasket and Venturi Gasket) | 155 - 399   |
| 383-500-095 | Pressure Relief Valve, ASME 30 PSI, ¾" N.P.T Male   | 80 - 310    |
| 511-546-921 | Pressure Relief Valve, ASME 30 PSI, ¾" N.P.T Male   | 399         |
| 383-500-100 | Vent/Air Termination Plate (2 Required For Each Boiler)   | All         |
| 383-500-105 | Vent Termination Bird Screen (2 Required) 3" Vent   | 80/105/155  |
| 383-500-110 | Vent Termination Bird Screen (2 Required) 4" Vent   | 230/310     |
| 383-500-397 | WM - PVC Sidewall Vent Termination Kit 3"   | 80 - 155    |
| 383-500-398 | WM - PVC Sidewall Vent Termination Kit 4"   | 230 - 310   |
| 592-900-002 | Corrosion Inhibitor, 1 Tube   | All         |
| 592-900-005 | Inhibitor Test Kit, 2 Tests   | All         |
| 592-900-003 | Boiler System Cleaner/Sludge Remover  | All         |
| 592-900-006 | Aluminum-Safe Anti-Freeze, 5 Gal.   | All         |
| 592-900-029 | Aluminum-Safe Anti-Freeze, 1 Gal.   | All         |
| 383-500-765 | Ultra 80/105 Easy Up Manifold Service Kit - 1 ¼"  | 80/105      |
| 383-500-766 | Ultra 155/399 Easy Up Manifold Service Kit - 1½"  | 155-399     |
| 389-900-180 | Wall Mount Kit - (Includes Brackets, Hardware, and Instructions)  | All         |

# GV90+ Series 1 & 2 Section Assembly



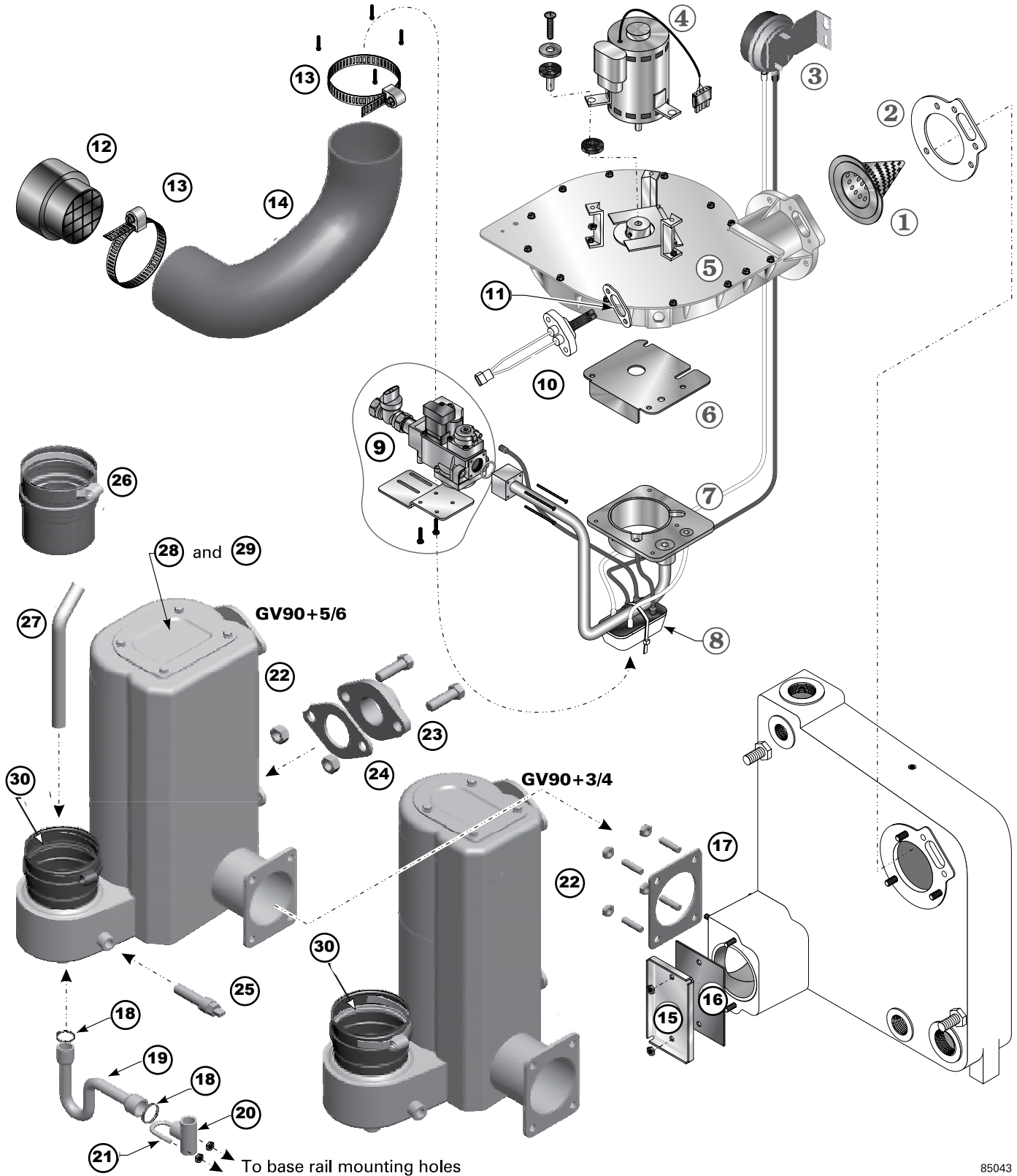
GAS

85041

## GV90+ Series 1 & 2 Section Assembly Parts

| Fig. No. | Part No.       | Description  | Model |
|----------|----------------|--|-------|
| 1        | 322-200-304    | Block Assembly (Includes: Front Section, Intermediate Section, Back Section, Square Cut Seals — 2", Silicone Sealant, Tie Rods, Tie Rod Nuts, Tie Rod Washers, Blower Flange Gasket, Igniter, Igniter Gasket, Screws, Lock Washers, Studs, Nuts) | 3     |
|          | 322-200-305    |  | 4     |
|          | 322-200-306    |  | 5     |
|          | 322-200-307    |  | 6     |
| 2        | 382-200-713    | Front Section Replacement Kit (Includes Front Section, Square Cut Seals (4), Silicone Sealant, Blower Flange Gasket, Igniter Gasket, Studs (13), Nuts (13))  | All   |
| 3        | 312-200-110    | Intermediate Section (Also Required Section Replacement Kit)   | All   |
| 4        | 312-200-130    | Back section (Also Required Section Replacement Kit)   | All   |
| N/S      | 382-200-305    | Section Replacement Kit  | All   |
| 5        | 560-234-499    | Tie Rods   | 3     |
|          | 560-234-525    |  | 4     |
|          | 560-234-503    |  | 5     |
|          | 560-234-504    |  | 6     |
| 6        | 452-100-173    | Base Rail Legs — (2) Per Boiler  | 3 & 4 |
|          | 452-100-174    |  | 5 & 6 |
| 7        | 452-100-080    | Base Rail Brace — (2) Per Boiler   | All   |
| 8        | 452-100-111    | Blower Housing Support   | All   |
| 9        | 382-200-375    | Block Temperature Switch Kit (Includes: Block Switch (350° Open, 250° Close) and Mounting Bracket)   | All   |
| 10       |                | Inspection Port Cover (in Inspection Port Kit)   | All   |
| 11       | 590-317-628    | Inspection Port Gasket   | All   |
| N/S      | 542-200-181    | Inspection Port Kit (Includes: Cover and Gasket)   | All   |
| 12       | 590-317-653    | Recuperator Connection Gasket  | All   |
| 13       | 560-340-581    | Stud, 5/16" -18 x 1¼"  | All   |
| 14       | Obtain locally | Hex Nuts (4 Each), 5/16 / Lock Washers (4 Each), 5/16"   | All   |

# GV90+ Series 1 & 2 Blower Assembly



85043

## GV90+ Series 1 & 2 Blower Assembly Parts

| Fig. No. | Part No.    | Description   | Model |
|----------|-------------|---|-------|
| 1        | 382-200-320 | Burner Replacement Kit (Includes: Burner, Blower Flange Gasket, Igniter, Igniter Screws, Igniter Washers, Igniter Gasket)   | 3     |
|          | 382-200-325 |   | 4     |
|          | 382-200-330 |   | 5     |
|          | 382-200-335 |   | 6     |
| 2        | 590-317-610 | Blower Flange Gasket  | All   |
| 3        | 382-200-723 | Air Pressure Switch (0 To 5,500 Feet Elevation)   | All   |
|          | 382-200-728 | Air Pressure Switch (5,500 To 10,000 Feet Elevation)  | All   |
| 4        | 382-200-345 | Blower Motor Replacement Kit (Includes: Blower Motor, Motor Mounting Grommets, Screws, Lock Nuts and 9" Allen Wrench) - (Series-1)  | All   |
|          | 381-356-584 | Blower Motor Replacement Kit (Includes: Blower Motor, Motor Mounting Grommets, Screws, Lock Nuts and 9" Allen Wrench) - (Series-2)  | All   |
| 5        | 382-200-340 | Blower Housing Assembly Replacement Kit (Includes: Blower Housing, Obsv. Port, Blower Housing Cover Plate, Blower Motor Mounting Brackets, Washer Hold Down Bracket, Lock Nuts, Motor Mount Grommets, Blower Motor, Blower Wheel, Magnetic Washer, Silicone Sealant, Screws, Blower Flange Gasket, Igniter, Igniter Washers, Igniter Screws, Igniter Gasket) - (Series-1) | All   |
|          | 381-356-587 | Blower Housing Assembly Replacement Kit (Includes: Blower Housing, Obsv. Port, Blower Housing Cover Plate, Blower Motor Mounting Brackets, Washer Hold Down Bracket, Lock Nuts, Motor Mount Grommets, Blower Motor, Blower Wheel, Magnetic Washer, Silicone Sealant, Screws, Blower Flange Gasket, Igniter, Igniter Washers, Igniter Screws, Igniter Gasket) - (Series 2) | All   |
| 6        | 510-811-926 | Conversion Kit, Natural To Propane (Includes: Propane Orifice Plate, Label)   | 3     |
|          | 510-811-927 |   | 4     |
|          | 510-811-928 |   | 5     |
|          | 510-811-929 |   | 6     |
|          | 510-811-934 | Orifice Plate, Natural Gas  | 3     |
|          | 510-811-935 |   | 4     |
|          | 510-811-936 |   | 5     |
|          | 510-811-937 |   | 6     |
| 7        | 382-200-362 | Gas/air Manifold Assembly (Includes: Gas/Air Manifold, Gas Tubing, Washers, Screws, Gas Valve O-ring)   | All   |
| 8        | 382-200-409 | Sense Line Condensate Trap (Includes: Sense Line Condensate Trap and Hoses)   | All   |
| 9        | 382-200-411 | Gas Valve Kit (Includes: Gas Valve, Gas Cock, ½" Nipple, Bracket, O-ring, Screws)   | All   |
| 10       | 511-330-148 | Igniter Replacement Kit Includes (Igniter and Gasket)   | All   |
| 11       | 590-317-599 | Igniter Gasket  | All   |
| 12       | 382-200-310 | Inlet Air Tube With Grill   | All   |
| 13       | 591-850-068 | Hose Clamp, 3"  | All   |
| 14       | 562-302-573 | Inlet Air Hose, 3" by 19" Long  | All   |
| 15       | 542-200-181 | Inspection Port Cover - (Includes Inspection Port Gasket)   | All   |
| 16       | 590-317-628 | Inspection Port Gasket - <b>ONLY</b>  | All   |

## GV90+ Series 1 & 2 Blower Assembly Parts Continued

| Fig. No. | Part No.    | Description  | Model |
|----------|-------------|--|-------|
| 17       | 590-317-653 | Recuperator Connection Gasket  | All   |
| 19       | 560-907-716 | Condensate Trap  | All   |
| 20       | —           | ½" PVC Condensate Tee  | All   |
| 21       | 561-704-527 | Condensate Tee U-clamp   | All   |
| 22       | 382-200-714 | Recuperator Kit (Includes: Recuperator, Recuperator Connection Gasket, Diamond Flange Gasket (2), Connection Hardware (4-Nuts), Flue Gas Thermal Fuse) | 3-4   |
|          | 382-200-715 |  | 5-6   |
| 23       | See item 24 | Diamond Flange, 1" N.P.T   | All   |
| 24       | 590-317-535 | Diamond Flange Gasket  | All   |
| 25       | 511-624-664 | Flue Thermal Switch - Normally Closed - ¼" N.P.T. - 175 ° F  | All   |
| 26       | 382-200-716 | In-line Flue Adapter with Drain Kit (Includes: In-Line Flue Adapter With Drain and Drain Hose (6 Inches))  | All   |
| 27       | 382-200-717 | Flue Drain Hose Kit, 6 Inches  | All   |
| 28       | 593-000-002 | Recuperator Cover Plate - (Series 1 <b>ONLY</b> )  | 3-4   |
|          | 593-000-003 |  | 5-6   |
| 29       | 593-000-004 | Recuperator Cover Plate Gasket - (Series 1 <b>ONLY</b> )   | 3-4   |
|          | 593-000-005 |  | 5-6   |
| 30       | 593-000-006 | Recuperator Vent Pipe Seal   | All   |
| N/S      | 592-900-036 | Oil Lubricant - Anderol 465 1.7 oz.Tube  | All   |

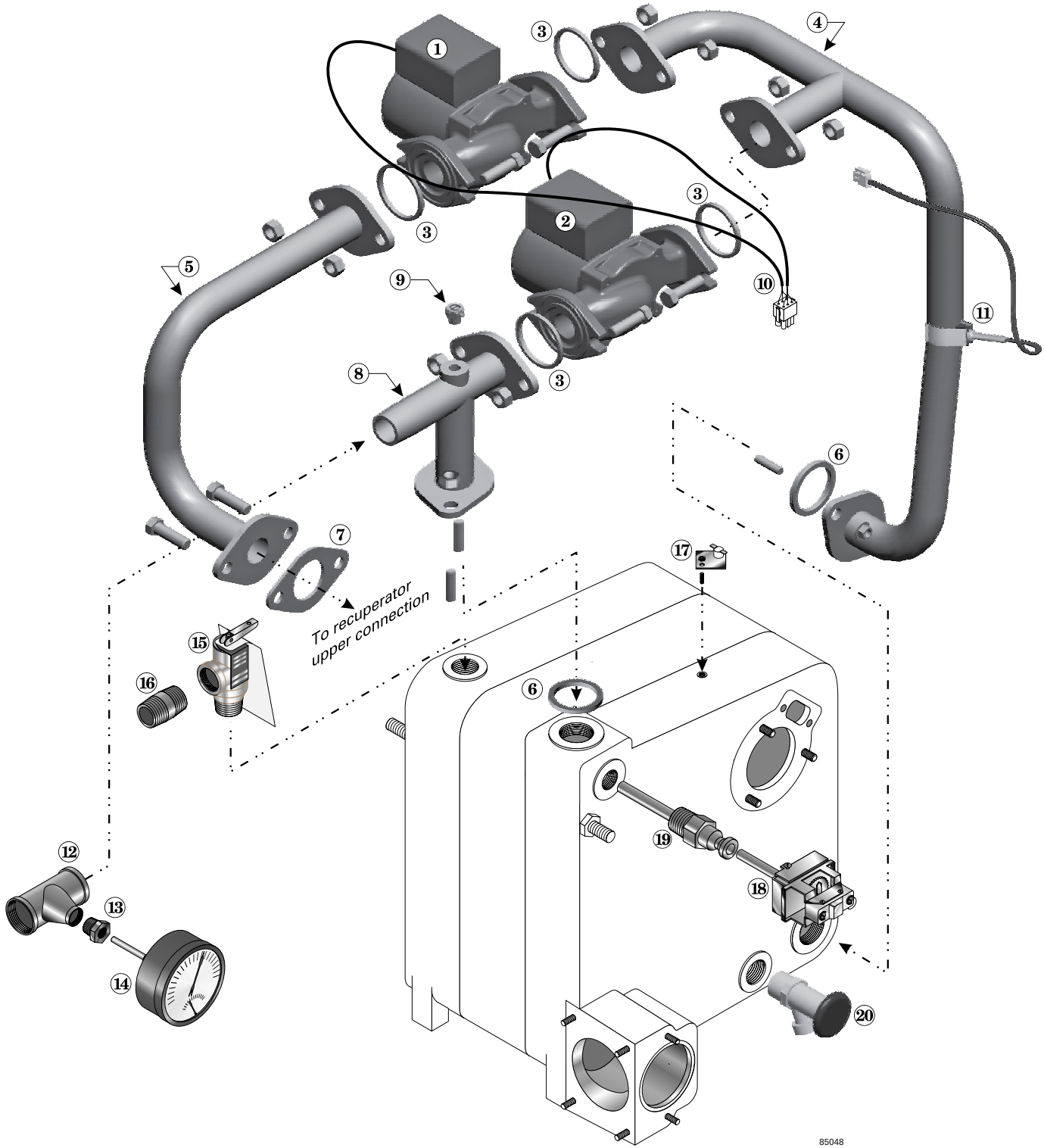
GAS



## GV90+ Series 1 & 2 Miscellaneous Parts

| Part No.               | Description  | Model |
|------------------------|--|-------|
| 383-500-397            | Vent Termination Kit For 3" PVC                                      | All   |
| 382-200-430            | Vent Termination Kit For 3" Stainless Steel                          | All   |
| 383-500-105            | Vent Termination Bird Screen 3" PVC (1 Piece)                        | All   |
| 383-500-350            | 3" PVC Concentric Vent Kit   | All   |
| 560-907-717            | Adapter 3" AL29-4C Vent Starter, FasNSeal                            | All   |
| 560-907-723            | Adapter 3" AL29-4C Vent Starter, Z-Vent                              | All   |
| 560-907-724            | Adapter 3" AL29-4C Vent Starter, Saf-T-Vent                          | All   |
| Contact<br>Weil-McLain | Adapter 3" AL29-4C Vent Starter, CORR/GUARD                          | All   |
| 592-900-002            | Corrosion Inhibitor, Sentinel X100 (One Tube is Shipped With Boiler) | All   |
| 592-900-005            | Sentinel X100 Inhibitor Test Kit (One Kit is Shipped With Boiler)    | All   |
| 592-900-003            | Cleaner, Sentinel X400   | All   |
| 592-900-004            | Antifreeze, Aluminum Safe, Sentinel X400                             | All   |
| 383-500-631            | Condensate Neutralizer Kit   | All   |
| 381-400-010            | GV90 Bug Box - (Instructions Included)                               | All   |
| 382-200-728            | High Altitude Kit - (Includes Pressure Switch)                       | All   |
| 382-200-435            | GV90 Through Roof Stainless Steel Vent Kit                           | All   |

# GV90+ Series 1 & 2 Water Trim Assembly



## GV90+ Series 1 & 2 Water Trim Assembly Parts

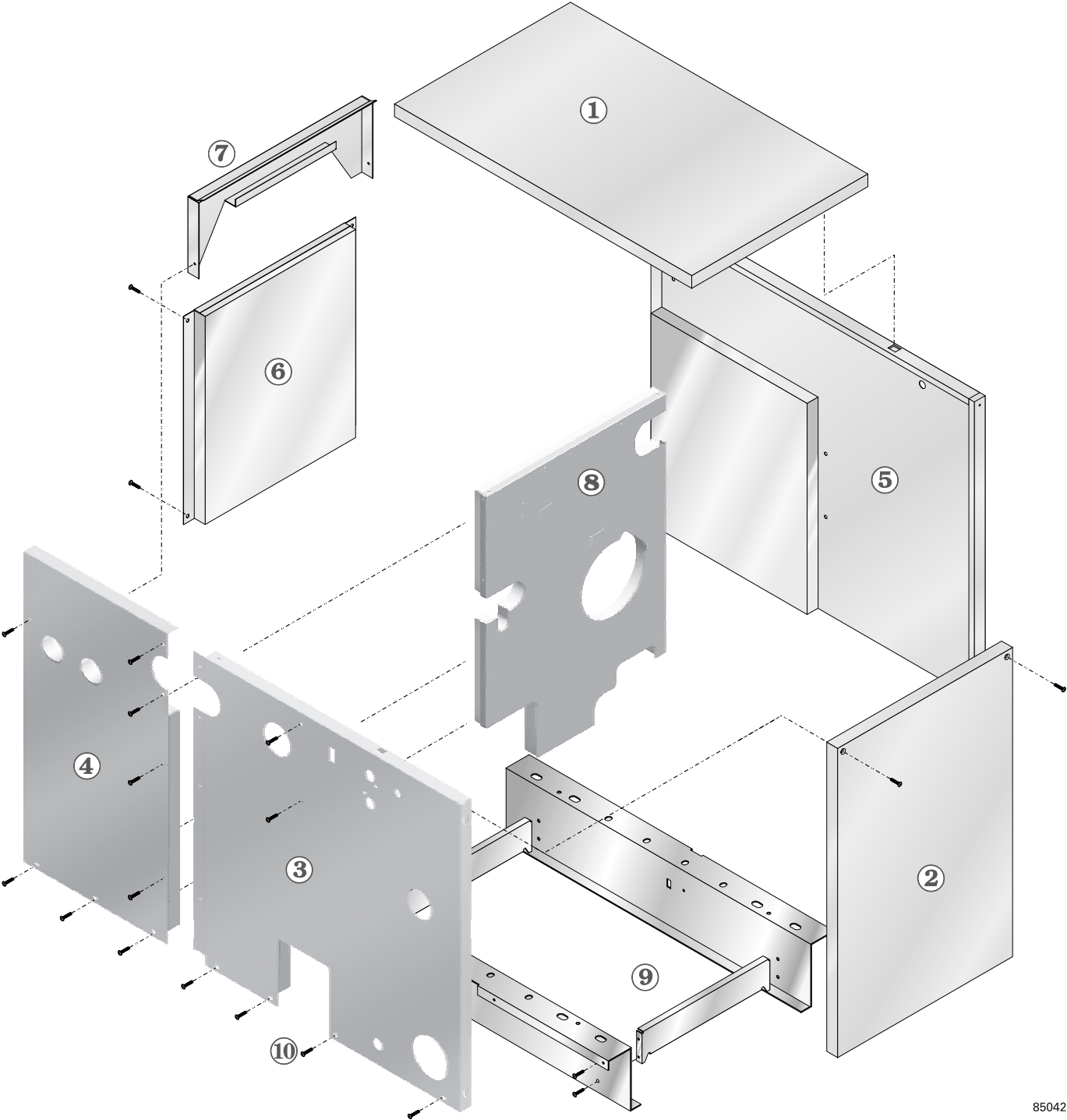
| Fig. No. | Part No.       | Description  |
|----------|----------------|--|
| 1        | 511-405-113    | System Circulator, Taco 007  |
| 2        |                | Bypass Circulator, Taco 007  |
| 3        | 590-317-543    | Circulator Gasket, Taco 110-339  |
| 4        | 382-200-720    | Manifold, Casting/Circulator Kit (Includes: Water Manifold, Circulator Gasket (Taco 110-339) (2), Square Cut Seal (Manifold To Casting)) |
| 5        | 382-200-721    | Return Manifold, Recuperator/Circulator Kit (Includes: Water Manifold, Circulator Gasket (Taco 110-339) (1), Diamond Gasket)             |
| 6        | 572-800-011    | Square Cut Seal Gaskets, Casting, 2.31"  |
| 7        | 590-317-535    | Diamond Flange Gasket  |
| 8        | 382-200-722    | Supply Manifold Kit (Includes: Water Manifold, Circulator Gasket (Taco 110-339) (1), Square Cut Seal (Manifold To Casting))              |
| 9        | 570-148-565    | Coin-Operated Air Vent, 1/8" N.P.T - Purchase Locally  |
| 10       | 591-391-824    | Wiring Harness, Circulators To IBC   |
| 11       | 511-330-089    | Return Water Temperature Sensor and Clip   |
| 12       | Obtain locally | Tee, 1" x 1" x 3/4"  |
| 13       | Obtain locally | Bushing 3/4" x 1/4"  |
| 14       | 380-000-000    | Combination Pressure-Temperature Gauge, 3" Dia., 0-75 PSIG, 60-320°F, Short Shank, Back Connection, 1/4" N.P.T.                          |
| 15       | 383-500-095    | 30 PSIG Relief Valve - 3/4" Male Inlet   |
| 16       | Obtain locally | Nipple, N.P.T — 3/4" x 3"  |
| 17       | 382-200-375    | Block Temperature Switch Kit (Includes: Block Switch (350° Open, 250° Close) and Mounting Bracket)                                       |
| 18       | 382-200-719    | Limit Control Without Well, 200 °F Maximum Setpoint - (Series 1 <b>ONLY</b> )  |
| 19       | 592-300-017    | Limit Control Well, 1/2" N.P.T - (Series 1 <b>ONLY</b> )   |
| N/S      | 381-356-577    | Boiler Temperature Sensor - Tasseron - TSD01BW-R, 1/2" N.P.T, 12K ohms - Series 2 <b>ONLY</b>  |
| 20       | 511-246-392    | Drain Valve, 3/4" N.P.T  |



## GV90+ Series 1 & 2 Control Parts

| GV90+ Series 1                    |             |  |
|-----------------------------------|-------------|--|
| Fig. No.                          | Part No.    | Description  |
| 2                                 | 382-200-448 | Integrated Boiler Control Assembly (Includes: IBC and Screws)  |
| 3                                 | 511-842-370 | Transformer  |
| N/S                               | 591-391-963 | Wiring harness, IBC To Junction Box  |
|                                   | 591-391-964 | Wiring harness, IBC To Controls (Not Shown)  |
| GV90+ Series 2                    |             |  |
| Fig. No.                          | Part No.    | Description  |
| N/S                               | 381-330-035 | LWCO Function Disable Kit - (Includes Temperature Sensor, Sensor Harness, Label, And Instructions) - <b>CP Range - CP7481990 - CP7538624</b> |
| 2                                 | 381-330-025 | Integrated Boiler Control - (Includes, Sensor Harness) - <b>Use On Boilers With A CP Range Less Than CP7481990</b>                           |
|                                   | 381-330-023 | Integrated Boiler Control - <b>Use only If 381-330-035 Kit Was Already Installed, And CP Range Is Greater Than CP7538624</b>                 |
| 3                                 | 381-356-578 | Transformer - 120/24 Volt, 40 VA   |
| N/S                               | 591-391-984 | Wire Harness, Power, J Box To Module   |
|                                   | 591-392-005 | Thermostat Harness   |
|                                   | 591-391-985 | Controls To Module Harness With Rectifier Plug   |
|                                   | 591-392-035 | Temperature Sensor Wire Harness  |
|                                   | 591-391-983 | Wiring Harness - Blower To Control Module  |
| GV90+ Series 1 & 2 Common Parts   |             |  |
| 1                                 | 382-200-727 | Interior Panel   |
| 4                                 | 382-200-723 | Air Pressure Switch 1.00 " W.C. Less Than 5,500 Feet Elevation   |
|                                   | 382-200-728 | Air Pressure Switch .70" W.C. Greater Than 5,500 Feet Elevation  |
| N/S                               | 591-391-819 | Wiring Harness, Ignitor To Control Harness   |
|                                   | 591-391-824 | Wiring Harness, Circulators  |
|                                   | 383-500-205 | On/Off Switch Kit  |
| GV90+ Series 2 Only Control Parts |             |  |
| N/S                               | 381-356-586 | Outdoor Temperature Kit - (Includes Sensor, Wire Harness, and Instructions)  |
|                                   | 381-356-585 | Zone Interface Harness Kit - (Includes Wire Harness, Cable Clamp, and Instructions)  |
|                                   | 383-500-125 | Outdoor Sensor Kit - (Includes Sensor and Mounting Hardware)<br>30/50°C, 12 KOhms.   |

# GV90+ Series 1 & 2 Jacket Assembly

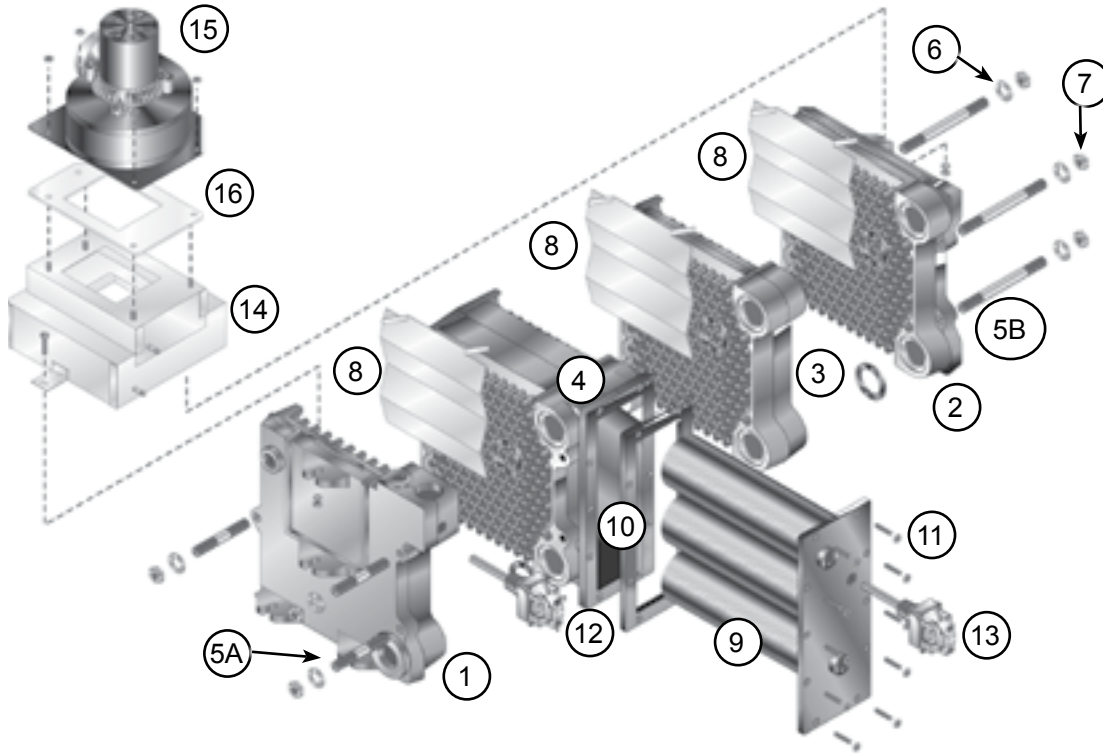


85042

## GV90+ Series 1 & 2 Jacket Assembly Parts

| Fig. No. | Part No.    | Description   | Model |
|----------|-------------|---|-------|
| 1        | 382-200-700 | Jacket Panel, Top - (Series 1 <b>ONLY</b> )   | 3 & 4 |
|          | 382-200-701 |   | 5 & 6 |
|          | 382-200-735 | Jacket Panel, Top - (Series 2 <b>ONLY</b> )   | 3 & 4 |
|          | 382-200-736 |   | 5 & 6 |
| 2        | 382-200-702 | Jacket Panel, Front   | All   |
| 3        | 382-200-703 | Jacket Panel, Left Side, Front - (Series 1 <b>ONLY</b> )                                | 3 & 4 |
|          | 382-200-704 |   | 5 & 6 |
|          | 382-200-730 | Jacket Panel, Left Side, Front - (Series 2 <b>ONLY</b> )                                | 3     |
|          | 382-200-731 |   | 4     |
|          | 382-200-732 |   | 5     |
|          | 382-200-733 |   | 6     |
| 4        | 382-200-705 | Jacket Panel, left side, rear   | 3 & 4 |
|          | 382-200-706 |   | 5 & 6 |
| 5        | 382-200-724 | Jacket Panel, right side  | 3 & 4 |
|          | 382-200-725 |   | 5 & 6 |
| 6        | 382-200-726 | Jacket Panel, rear  | All   |
| 7        | 422-200-192 | Jacket Brace  | All   |
| 8        | 382-200-727 | Jacket Panel, interior  | All   |
| 9        |             | Base Rail Assembly - In Section Assembly Parts  | All   |
| 10       |             | Screw, Sheet Metal Type AB, Serrated Hex Washer Head Phillips #10 Steel Black Phosphate | All   |
| N/S      | 592-002-032 | Touch Up Paint - Putty - Low E 4.5oz Can  | All   |

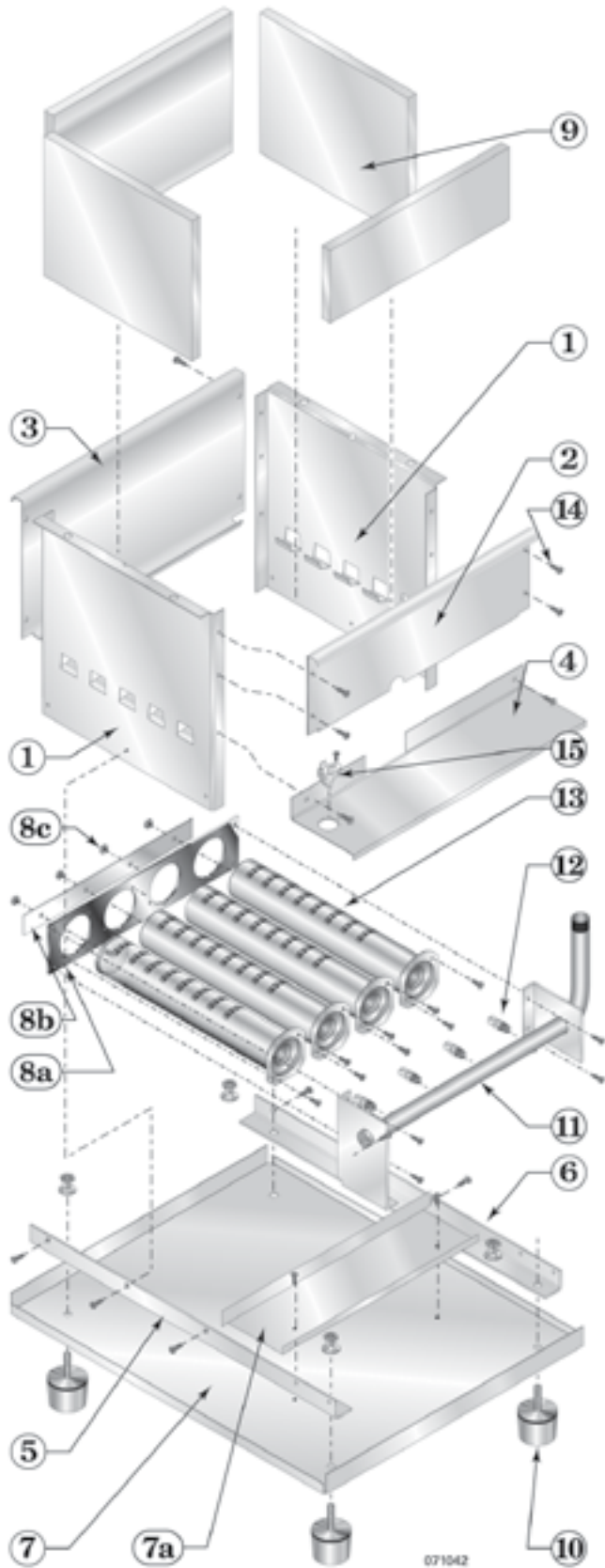
## CGt - Series 1 & 2 Section Assembly Parts



| Fig.No. | Part No.    | Description  |
|---------|-------------|--|
| 1       | 311-103-850 | End Section, Left Hand, 51124  |
| 2       | 311-103-821 | End Section, Right Hand, 51128   |
| 3       | 311-103-818 | Intermediate Section, 51125  |
| 4       | 311-103-840 | Intermediate Section For Tankless  |
| N/S     | 321-114-354 | Replacement Section Assembly   |
|         | 381-354-527 | Section Replacement Kit  |
| 5A      | 560-234-389 | Tie Rod, Without Nut 7/16" x 4.00 (Qty: 3)                                 |
| 5B      | 560-234-395 | Tie Rod, Without Nut 7/16" x 6.50 (Qty: 3)                                 |
| 6       | 562-248-684 | Washer, 7/16" (1 Per Tie Rod)  |
| 7       | 561-928-235 | Nut, 7/16" (1 Per Tie Rod)   |
| 8       | 460-003-700 | Radiation Plate (1 Per Joint)  |
| 9       | 590-921-920 | Tankless Heater - (No Gasket)  |
| 10      | 590-317-584 | Gasket, Tankless Heater  |
| 11      | 560-340-577 | Stud and Nut Assembly 3/8" x 1 1/8", Qty: 10 Required                      |
| 12      | 510-312-250 | High Limit, 30° Differential, With Well                                    |
| 13      | 510-312-152 | Tankless Heater Low Limit, 8° Differential With Well                       |
| 14      | 450-020-497 | Collector Hood and Transition Assembly                                     |
| 15      | 381-354-587 | Inducer Fan Assembly Kit (Includes: Inducer Fan Assembly, Gasket and Nuts) |
| 16      | 590-317-627 | Gasket, Inducer  |

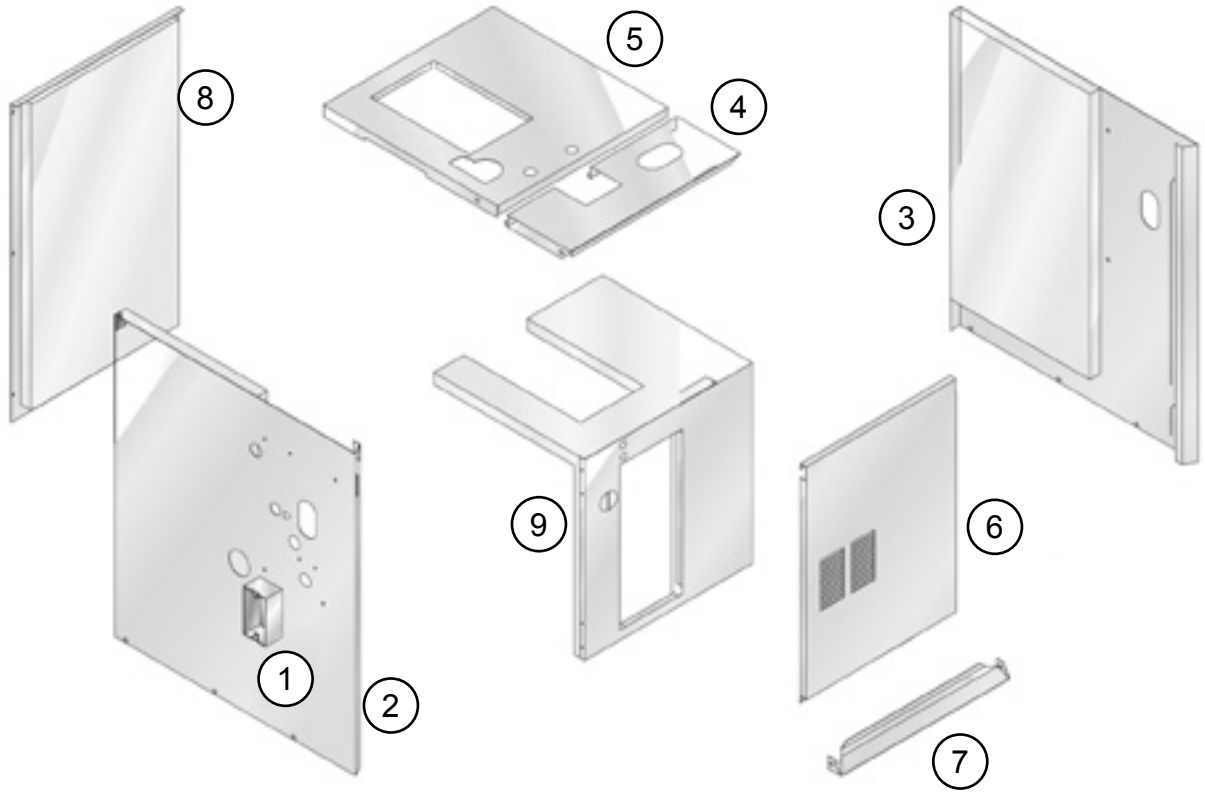


## CGt - Series 1 & 2 Base Assembly Parts



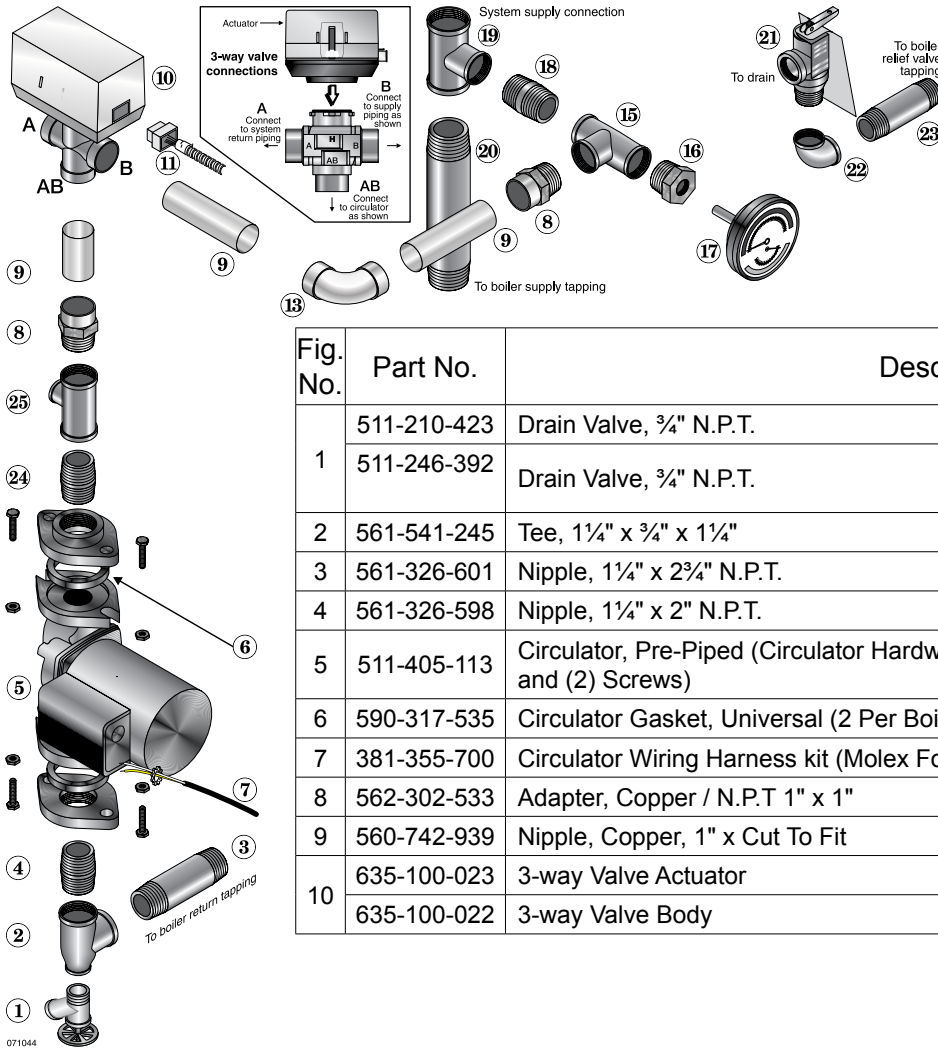
| Fig. No. | Part No.          | Description  |
|----------|-------------------|--|
| N/S      |                   | Base Assembly Kit (Includes: Base Side Panel Items 1 Through 7A Below) |
| 1        | 381-354-339       | Base Side Panel  |
| 2        |                   | Base Front Cross-Tie Assembly  |
| 3        |                   | Base Back Cross-Tie Assembly   |
| 4        |                   | Burner Shield  |
| 5        |                   | Base Pan Angle, Left Side  |
| 6        |                   | Base Pan Angle, Right Side   |
| 7        |                   | Base Pan   |
| 7A       |                   | Base Pan Air Baffle  |
| 8A       | 450-003-692       | Burner Mounting Plate  |
| 8B       | 550-320-162       | Rear Spacing Strip   |
| 8C       | Available Locally | Nut, HEX 5mm ZP  |
| 9        | 381-354-332       | Base Insulation Kit  |
| 10       | 550-320-219       | Boiler Leg Kit, 4 Required   |
| 11       | 591-126-737       | Manifold   |
| 12       | 560-529-077       | Main Burner Orifice—Natural gas, 2.7mm                                 |
| 13       | 512-200-076       | Burner - ( CGt-5 Has 4 Burners)  |
| 14       | Available Locally | Screw, 10-32 x 0.38 STP Type 23 Hex, Washer Hd Slot                    |
| 15       | 512-050-230       | Rollout Thermal Fuse Element   |
| N/S      | 560-529-078       | LP Orifice, 1.65mm   |

## CGt - Series 1 & 2 Jacket Assembly Parts



| Fig.No. | Part No.          | Description  |
|---------|-------------------|--|
| 1       | Available Locally | Junction Box, 2 x 4 x 1½   |
| 2       | 381-355-741       | Jacket Panel, Left Side With Insulation                          |
| 3       | 381-355-793       | Jacket Panel, Right Side   |
| 4       | 431-223-401       | Jacket Panel, Top Front  |
| 5       | 381-355-742       | Jacket Panel, Top Rear   |
| 6       | 381-355-744       | Jacket Panel, Door   |
| 7       | 431-223-327       | Jacket Cross-Tie, Bottom Front                                   |
| 8       | 431-223-302       | Jacket Panel, Rear   |
| 9       | 381-355-743       | Kit Service Panel Interior Jacket Intermittent Pilot Natural Gas |
| N/S     | 592-002-029       | Touch Up Paint - Gold - Low E 4.5oz Can                          |

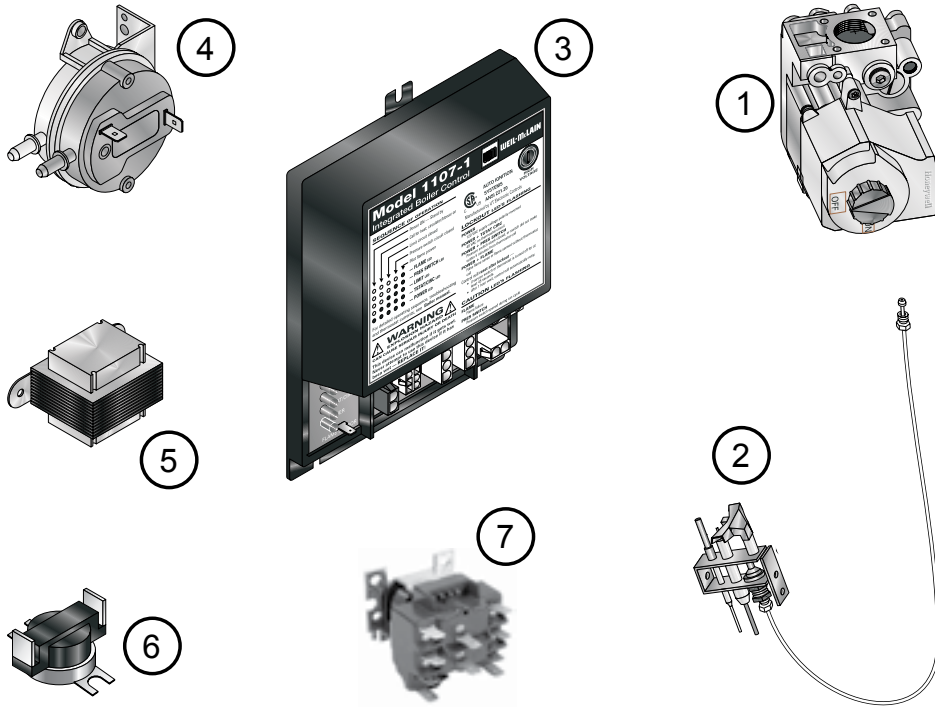
# CGt - Series 1 & 2 - Water trim Parts



| Fig. No. | Part No.    | Description  |
|----------|-------------|--|
| 1        | 511-210-423 | Drain Valve, 3/4" N.P.T.   |
|          | 511-246-392 | Drain Valve, 3/4" N.P.T.   |
| 2        | 561-541-245 | Tee, 1 1/4" x 3/4" x 1 1/4"  |
| 3        | 561-326-601 | Nipple, 1 1/4" x 2 3/4" N.P.T.   |
| 4        | 561-326-598 | Nipple, 1 1/4" x 2" N.P.T.   |
| 5        | 511-405-113 | Circulator, Pre-Piped (Circulator Hardware Kit Includes: (2) Flanges, (2) Nuts and (2) Screws) |
| 6        | 590-317-535 | Circulator Gasket, Universal (2 Per Boiler)  |
| 7        | 381-355-700 | Circulator Wiring Harness kit (Molex For Control End Shipped Loose)                            |
| 8        | 562-302-533 | Adapter, Copper / N.P.T 1" x 1"  |
| 9        | 560-742-939 | Nipple, Copper, 1" x Cut To Fit  |
| 10       | 635-100-023 | 3-way Valve Actuator   |
|          | 635-100-022 | 3-way Valve Body   |

|     |             |   |
|-----|-------------|---|
| 11  | 591-391-920 | Main Wire Harness Controls To Module - (Boilers With CP's Before CP-5952944)  |
|     | 591-391-950 | Main Wire Harness Controls To Module - (Boilers With CP's After CP-5952944)   |
| 13  | 561-115-303 | Elbow, Copper, 1"   |
| 15  | 561-541-212 | Tee, 1" x 1" x 1", N.P.T. - Purchase Locally  |
| 16  | 560-807-350 | Bushing, 1" x 1/2" N.P.T. - Purchase Locally  |
| 17  | 380-000-000 | Combination Pressure-Temperature Gauge Kit, 60°-360°F 0-75 PSI, 3/8" Dia., 1/4" N.P.T., Short Shank With 1/4" x 1/2" Reducing Bushing |
| 18  | 561-326-500 | Nipple, 1" Closing  |
| 19  | 561-541-248 | Tee 1 1/4" x 1 1/4" x 1" N.P.T. - Purchase Locally  |
| 20  | 561-326-625 | Nipple, 1 1/4" x 6"   |
| 21  | 383-500-095 | Pressure Relief Valve, ASME, 30 PSIG, 3/4" Male Inlet (Fittings Shown are Factory-Installed on Boiler)                                |
| 22  | 561-115-295 | Elbow, 3/4" N.P.T. Pre-Piped  |
| 23  | 561-326-395 | Nipple, 3/4" Pre-Piped  |
| 24  | 561-326-500 | Nipple, 1" x Close N.P.T.   |
| 25  | 561-541-216 | Tee, 1" x 1" x 1/2" N.P.T.  |
| N/S | 511-210-458 | Domestic Mixing Valve, 3/4" Sweat Connections   |
|     | 511-246-398 | 3-way Valve Repair Kit (Includes: New Valve Plunger and Wrench)   |
|     | 381-356-574 | 3-way Valve Retrofit Kit (Includes: New Boiler Wiring Harness and Relay) Retrofits CGt Boilers Prior to CP5952944, February 23, 2009. |
|     | 563-210-632 | Red Male Connector - Circulator Harness - <b>Series 2 Only</b>  |

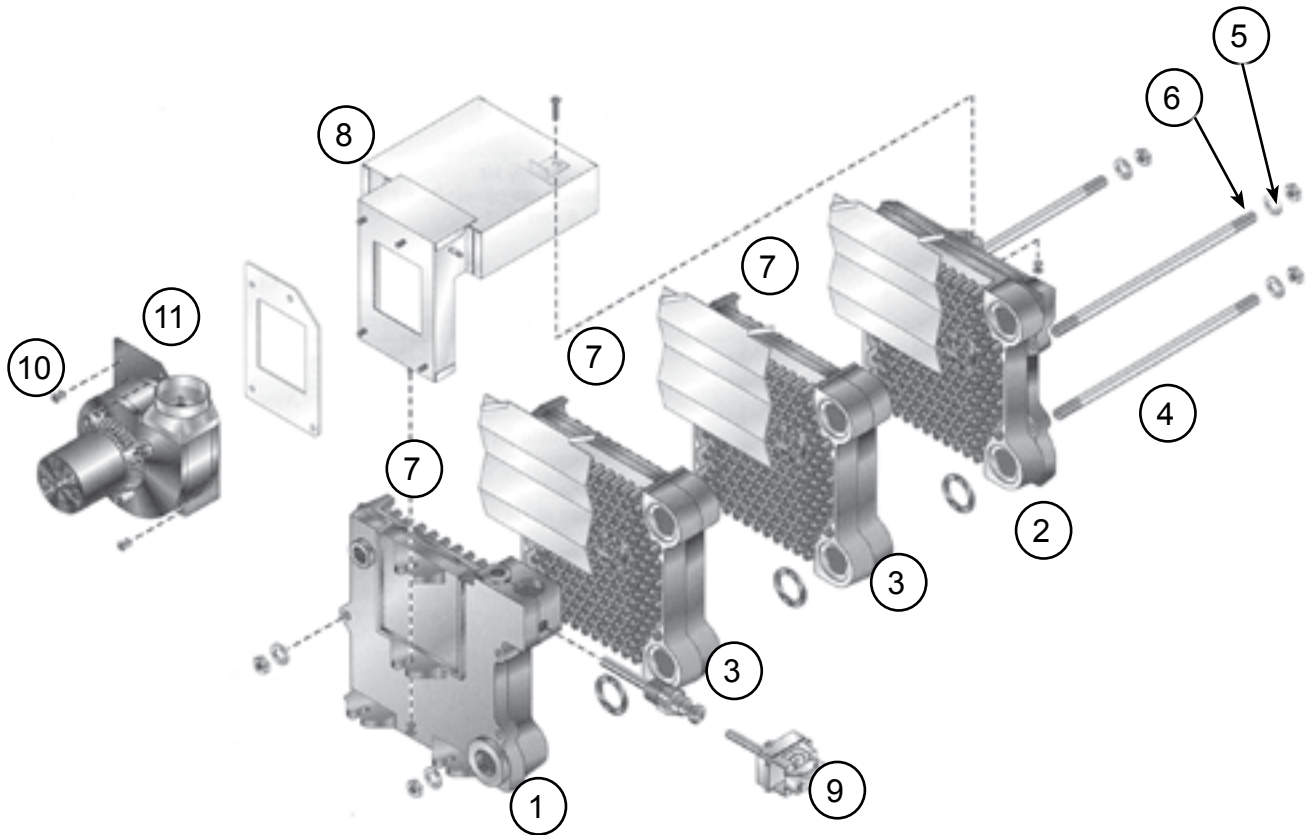
## CGt - Series 1 & 2 Gas Control Assembly Parts



| Fig.No.                  | Part No.    | Description  |
|--------------------------|-------------|--|
| <b>Natural Gas Parts</b> |             |  |
| 1                        | 511-044-381 | Gas Valve, ½" x ½"   |
| 2                        | 511-330-080 | Pilot Assembly With Orifice & Aluminum Pilot Gas Tubing (Pilot Bracket Sold Separate)  |
| <b>LP Gas Parts</b>      |             |  |
| 1                        | 511-044-354 | Combination Gas Valve, ½" x ½"   |
| 2                        | 511-330-081 | Pilot Assembly, LP orifice, Tubing, Spark and Sense (Pilot Bracket Sold Separate)  |
| <b>Common Parts</b>      |             |  |
| 3                        | 511-330-090 | Control Module   |
| 4                        | 511-624-542 | Air Pressure Switch, 1.53" W.C.  |
| 5                        | 511-842-370 | 24 Volt Step Down Transformer, 40 VA   |
| 6                        | 540-130-401 | Ambient Temperature Switch (Bracket Not Shown); 135° F, Automatic Reset  |
| 7                        | 510-311-019 | Control Relay DPDT 24 Volt - (For Units After CP5952944)   |
| N/S                      | 590-317-650 | Air Pressure Switch Tubing, Red, .12 ID Silicone, 17"  |
|                          | 590-317-651 | Air Pressure Switch Tubing, White, .12 ID Silicone, 19"  |
|                          | 381-356-574 | CGt 3-Way Valve Conversion Kit (Includes: Relay, Wire Harness and Instructions) To Convert Unit Prior To CP5952944 To Prevent Heat Migration |
|                          | 591-391-903 | Wiring Harness J-Box To Module   |
|                          | 450-003-689 | Pilot Bracket, Used For Both Propane and Natural Gas   |
|                          | 510-811-925 | Natural Gas To Propane Conversion Kit - (Includes Gas Valve, Pilot Bracket, Pilot Burner, Orifice, Screws, Labels, and Instructions)         |

# NOTES

## CGi - Series 2 & 3 Section Assembly Parts



| Fig. No. | Part No.    | Description   | Mfr.        | Boiler Size |
|----------|-------------|---|-------------|-------------|
| 1        | 311-103-851 | End Section, Left Hand, Cast #51124- <b>Series 2 Only</b>             | Weil-McLain | All         |
|          | 311-103-850 | End Section, Left Hand, Cast #51124- <b>Series 3 Only</b>             | Weil-McLain | All         |
| 2        | 311-103-821 | End Section, Right Hand, Cast #51128                                  | Weil-McLain | All         |
| 3        | 311-103-818 | Intermediate Section, Cast #51125                                     | Weil-McLain | All         |
| N/S      | 321-114-286 | Replacement Section Assembly - (Includes Well) <b>Series 2, and 3</b> | Weil-McLain | 25, 3       |
|          | 321-114-287 |   | Weil-McLain | 4           |
|          | 321-114-288 |   | Weil-McLain | 5           |
|          | 321-114-289 |   | Weil-McLain | 6           |
|          | 321-114-290 |   | Weil-McLain | 7           |
|          | 321-114-291 |   | Weil-McLain | 8           |
|          | 381-354-527 | Section Replacement Kit (Includes: Seals and Sealant For (1) Joint)   | Weil-McLain | All         |
|          | 383-600-120 | Blower Cover  | Weil-McLain | All         |

## CGi - Series 2 & 3 Section Assembly Parts Continued

| Fig. No. | Part No.    | Description  | Boiler Size   |               |
|----------|-------------|--|---|---------------|
| 4        | 560-234-500 | Tie Rod, 7/16" x 9" Without Nut (3 Required for Boiler)                    | 25, 3   |               |
|          | 560-234-501 | Tie Rod, 7/16" x 12" Without Nut (3 Required for Boiler)                   | 4   |               |
|          | 560-234-502 | Tie Rod, 7/16" x 15" Without Nut (3 Required for Boiler)                   | 5   |               |
|          | 560-234-503 | Tie Rod, 7/16" x 18" Without Nut (3 Required for Boiler)                   | 6   |               |
|          | 560-234-504 | Tie Rod, 7/16" x 21" Without Nut (3 Required for Boiler)                   | 7   |               |
|          | 560-234-505 | Tie Rod, 7/16" x 24" Without Nut (3 Required for Boiler)                   | 8   |               |
| 5        | 561-928-235 | Nut, 7/16" (2 Per Tie Rod)   | All   |               |
| 6        | 562-248-684 | Washer, Lock 7/16" (1 Per Joint)   | All   |               |
| 7        | 460-003-700 | Radiation Plate (1 Per Joint)  | All   |               |
| 8        | 450-000-010 | Collector Hood and Transition Assembly <b>Series 2 Only</b>                | 25  |               |
|          | 450-000-011 |  | 3   |               |
|          | 450-000-012 |  | 4   |               |
|          | 450-000-013 |  | 5   |               |
|          | 450-00-014  |  | 6   |               |
|          | 450-000-015 |  | 7   |               |
|          | 450-000-016 |  | 8   |               |
|          | 381-354-594 |  | Collector Hood and Transition Assembly <b>Series 3 Only</b> | 25            |
|          | 381-354-595 |  |   | 3             |
|          | 381-354-596 |  |   | 4             |
|          | 381-354-597 |  |   | 5             |
|          | 381-354-598 |  |   | 6             |
|          | 381-354-599 |  |   | 7             |
|          | 381-354-600 |  |   | 8             |
| 9        | 510-312-250 | High Limit, 30° Differential With Well                                     |   | All- Series 2 |
|          |             | High Limit, 30° Differential With Well                                     |   |               |
|          | 381-356-577 | Temperature Sensor, ½ " N.P.T  | All -Series 3   |               |
| 10       | 381-356-499 | Inducer Fan Assembly Kit (Includes: Inducer Fan Assembly, Gasket and Nuts) | Series-2  |               |
|          | 381-354-588 | Inducer Fan Assembly Kit - (Includes Gasket and Instructions)              | Series 3  |               |
| 11       | 590-317-627 | Gasket, Inducer  | All   |               |

**Number of burners:**

**CGi-25: 2 burners**

**CGi-3: 2 burners**

**CGi-4: 3 burners**

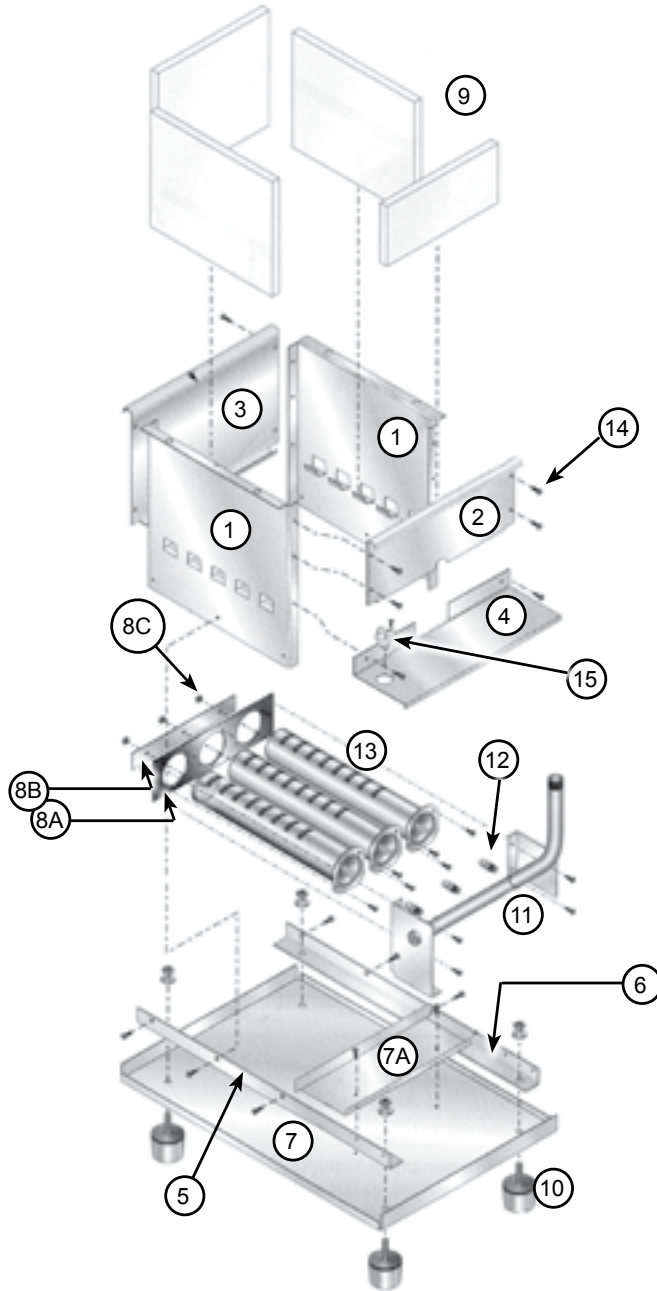
**CGi-5: 4 burners**

**CGi-6: 5 burners**

**CGi-7: 6 burners**

**CGi-8: 7 burners**

## CGi - Series 2 & 3 Base Assembly Parts



| Fig. No. | Part No.    | Description   | Boiler Size |
|----------|-------------|---|-------------|
| N/S      | 381-354-337 | Base Assembly Kit (Includes: Base Side Panel, Base Front Cross Tie Assembly, Base Back Cross Tie Assembly, Burner Shield, Base Pan Angle Left And Right Side and Base Pan Baffle) | 25, 3       |
|          | 381-354-338 |   | 4           |
|          | 381-354-339 |   | 5           |
|          | 381-354-340 |   | 6           |
|          | 381-354-341 |   | 7           |
|          | 381-354-342 |   | 8           |
| 1        |             | Base Side Panel (In Base Assembly Kit)  | All         |
| 2        |             | Base Front Cross-Tie Assembly (In Base Assembly Kit)  | All         |
| 3        |             | Base Back Cross-Tie Assembly (In Base Assembly Kit)   | All         |
| 4        |             | Burner Shield (In Base Assembly Kit)  | All         |
| 5        |             | Base Pan Angle, Left Side ( In Base Assembly Kit)   | All         |

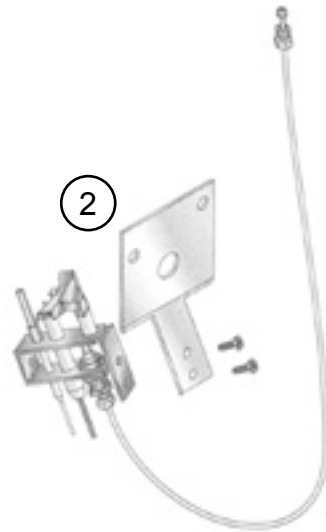
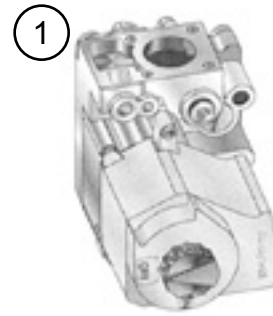
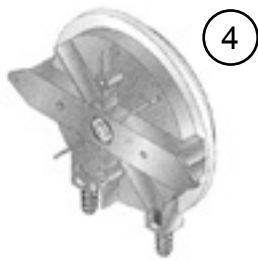


**CGi - Series 2 & 3  
Base Assembly Parts Continued**

| Fig. No. | Part No.         | Description   | Boiler Size |
|----------|------------------|---|-------------|
| 6        |                  | Base Pan Angle, Right Side (In Base Assembly Kit)   | All         |
| 7        |                  | Base Pan (In Base Assembly Kit)   | All         |
| 7A       |                  | Base Pan Air Baffle (In Base Assembly Kit)  | All         |
| 8A       | 450-003-690      | Burner Mounting Plate   | 25, 3       |
|          | 450-003-691      |   | 4           |
|          | 450-003-692      |   | 5           |
|          | 450-003-693      |   | 6           |
|          | 450-003-795      |   | 7           |
|          | 450-003-796      |   | 8           |
| 8B       | 550-320-160      | Rear Spacing Strip  | 25, 3       |
|          | 550-320-161      |   | 4           |
|          | 550-320-162      |   | 5           |
|          | 550-320-163      |   | 6           |
|          | 550-320-164      |   | 7           |
|          | 550-320-165      |   | 8           |
| 8C       | Purchase Locally | Nut, HEX 5mm Zinc Plated  | All         |
| 9        | 381-354-330      | Base Insulation Kit   | 25, 3       |
|          | 381-354-331      |   | 4           |
|          | 381-354-332      |   | 5           |
|          | 381-354-333      |   | 6           |
|          | 381-354-334      |   | 7           |
|          | 381-354-335      |   | 8           |
| 10       | 550-320-219      | Boiler Leg Kit  | All         |
| 11       | 591-126-735      | Manifold  | 25, 3       |
|          | 591-126-736      |   | 4           |
|          | 591-126-737      |   | 5           |
|          | 591-126-738      |   | 6           |
|          | 591-126-739      |   | 7           |
|          | 591-126-740      |   | 8           |
| 12       | 560-529-084      | Main Burner Orifice LP Gas 0-1999', 54 Drill, (CGi - 25 - All)                              |             |
|          | 560-529-111      | Main Burner Orifice LP Gas 0-1999', 1.60 mm, (CGi 3,5,4E Series 2) (CGi 3-5 Series 3)       |             |
|          | 560-529-078      | Main Burner Orifice LP gas 0-1999'- 1.65mm , (CGi 4,6-8 Series 2) (CGi 6-8 Series 3)        |             |
|          | 560-529-090      | Main Burner Orifice Natural Gas 0-1999', 2.30mm, (CGi-25 - All)                             |             |
|          | 560-529-126      | Main Burner Orifice Natural Gas 0-1999', 2.55mm, (CGi 3-6,4E Series 2) (CGi 3-5 Series 3)   |             |
|          | 560-529-077      | Main Burner Orifice Natural Gas 0-1999' 2.70mm, (CGi 7-8 Series 2) (CGi 6-8 Series 3)       |             |
| 13       | 512-200-076      | Burner  | All         |
| 14       | Purchase locally | Screw, 10-32 x /38 STP type 23 HEX, Washer Heat Slot  | All         |
| 15       | 512-050-230      | Rollout Thermal Fuse Element (229°C) (Elmwood Sensors RD226-001 or Microtemp G4AM06 00229C) | All         |

GAS

## CGi - Series 2 Control Parts

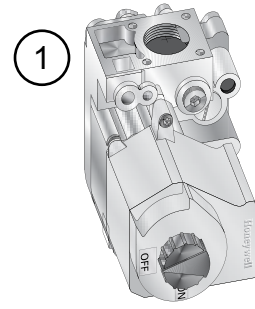
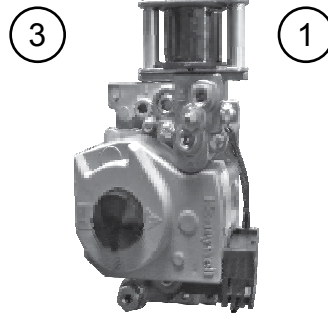
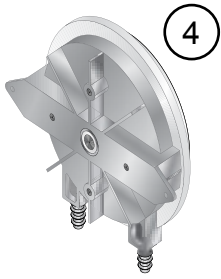


| Fig. No.   | Part No.    | Description   | Boiler Size    |
|--|-------------|---|----------------|
| <b>Natural Gas Components - Series 2</b>             |             |   |                |
| 1  | 511-044-381 | Gas Valve, 1/2" x 1/2"  | 25, 3, 4, 5, 6 |
|  | 511-044-353 | Gas Valve, 3/4" x 3/4"  | 7, 8           |
|  | 511-044-508 | Natural Gas Valve, 1/2", Two Stage, .9" W.C. Low Fire and 3.5" W.C. High Fire, Low and High Fire Adjustable | 4E             |
| 2  | 511-330-080 | Pilot Assembly Kit With Orifice and Aluminum Pilot Gas Tubing (Pilot Bracket Sold Separate)                 | All            |
| <b>Propane Gas Components - Series 2</b>             |             |   |                |
| 1  | 511-044-354 | Gas Valve, 1/2" x 1/2"  | 25, 3, 4, 5, 6 |
|  | 511-044-355 | Gas Valve, 3/4" x 3/4"  | 7, 8           |
|  | 511-044-510 | LP Gas Valve, 1/2", Two Stage, 3.5" W.C. Low Fire, and 10.0" W.C. High Fire, Low and High Fire Adjustable   | 4E             |
| 2  | 511-330-081 | Pilot Assembly Kit With Orifice and Aluminum Pilot Gas Tubing (Pilot Bracket Sold Separate)                 | All            |
| Fig. No.   | Part No.    | Description   | Boiler Size    |
| <b>Natural Gas and Propane Components - Series 2</b> |             |   |                |

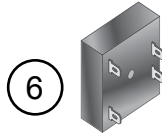
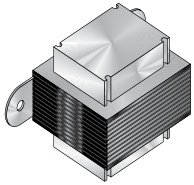
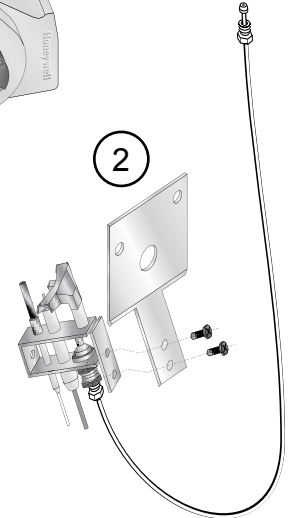
## CGi - Series 2 Control Parts Continued

|     |                  |   |       |
|-----|------------------|---|-------|
| N/S | 450-003-689      | Pilot Bracket   | All   |
|     | Purchase Locally | Machine Screw, Pan Head Phillips, 10-32 x .19" Zinc Plated (2 Each For Pilot Bracket) | All   |
|     | 381-356-528      | Wiring-Harness Circulator   |       |
| 3   | 511-330-090      | Control Module With 10 Second Pre-Purge   | All   |
| N/S | 591-391-894      | Wiring Harness, Controls To Control Module  | All   |
|     | 591-391-900      | Wire Harness, J-box To Control Module - 120 Volt                                      | All   |
|     | 591-391-951      | Wiring Harness, Controls  | 4E    |
|     | 591-391-954      | Timer Harness   | 4E    |
|     | 510-350-468      | Delay Timer - 24 Volt., 90 Second, Delay on Make                                      | 4E    |
| 4   | 511-624-401      | Air Pressure Switch 1.79" W.C.  | 25, 3 |
|     | 511-624-302      | Air Pressure Switch 1.40" W.C.  | 4     |
|     | 511-624-303      | Air Pressure Switch 1.12" W.C.  | 5     |
|     | 511-624-304      | Air Pressure Switch .80" W.C.   | 6, 8  |
|     | 511-624-405      | Air Pressure Switch .75" W.C.   | 7     |
|     | 511-624-657      | Air Pressure Switch - 1.36" W.C.  | 4E    |
| 5   | 511-842-370      | 24 Volt Step Down Transformer, 40 VA  | All   |
| N/S | 590-317-650      | Air Pressure Switch Tubing, Red, .12 ID Silicone, 17"                                 | All   |
|     | 590-317-651      | Air Pressure Switch Tubing, White, .12 ID Silicone, 19"                               | All   |
|     | 510-811-010      | Natural to LP Conversion Kit CGi  | 25    |
|     | 510-811-011      |   | 3 & 5 |
|     | 510-811-013      |   | 7 & 8 |
|     | 510-811-124      |   | 4E    |
|     | 510-811-016      |   | 4 & 6 |
|     | 510-811-017      | LP to Natural Conversion Kit - CGi  | 7 & 8 |
|     | 510-811-098      |   | 4E    |

## CGi - Series 3 Control Parts



**CGi 4 Only**



**CGi 4 Only**

5 71045

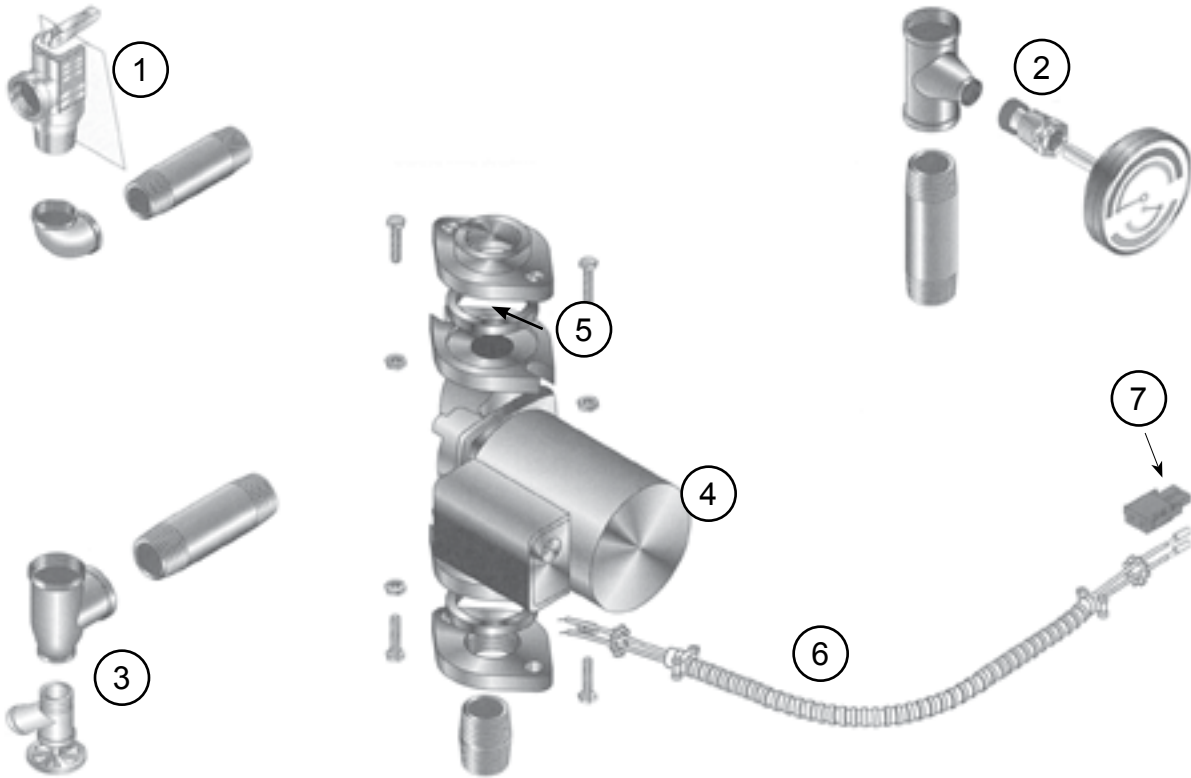
| Fig. No.                                 | Part No.    | Description  | Boiler Size |
|--|-------------|--|-------------|
| <b>Natural Gas Components - Series 3</b> |             |  |             |
| 1  | 511-044-381 | Gas Valve, 1/2" x 1/2"   | 25, 3, 5, 6 |
|  | 511-044-353 | Gas Valve, 3/4" x 3/4"   | 7, 8        |
|  | 511-044-508 | Natural Gas Valve, 1/2", Two Stage, .9" W.C. Low Fire and 3.5" W.C. High Fire, Both Adjustable | 4           |
| 2  | 511-330-080 | Pilot Assembly Kit With Orifice and Aluminum Pilot Gas Tubing (Pilot Bracket Sold Separate)    | All         |
| <b>Propane Gas Components - Series 3</b> |             |  |             |
| 1  | 511-044-354 | Gas Valve, 1/2" x 1/2"   | 25, 3, 5, 6 |
|  | 511-044-355 | Gas Valve, 3/4" x 3/4"   | 7, 8        |
|  | 511-044-510 | LP Gas Valve, 1/2", Two Stage, 3.5" W.C. Low Fire, and 10.0" W.C. High Fire, Both Adjustable   | 4           |
| 2  | 511-330-081 | Pilot Assembly Kit With Orifice and Aluminum Pilot Gas Tubing (Pilot Bracket Sold Separate)    | All         |
| <b>Series 3 Only - Control Kits</b>      |             |  |             |
| N/S                                      | 381-356-586 | Outdoor Temperature Sensor Kit - (Includes Sensor, Wire Harness, and Instructions)             | All         |
|  | 381-356-585 | Zone Interface Harness Kit - (Includes Wire Harness, Cable Clamp, and Instructions)            | All         |
|  | 383-500-125 | Outdoor Sensor - 30/50°C, 12 Kohms   |             |

GAS

CGi - Series 3  
Control Parts Continued

| Fig. No.   | Part No.    | Description  | Boiler Size |
|--|-------------|--|-------------|
| <b>Natural Gas and Propane Components - Series 3</b> |             |  |             |
| N/S  | 450-003-689 | Pilot Bracket  | All         |
|  | Locally     | Machine Screw, Pan Head Phillips, 10-32 x .19" Zinc Plated - 2 Per Pilot Bracket   | All         |
|  | 591-391-976 | Wiring-Harness Circulator  | All         |
|  | 591-391-989 | Wiring Harness, Controls to Module ( <b>For Boilers With Two-Stage Gas Valve ONLY</b> )  | 4           |
|  | 591-391-978 | Wiring Harness, Controls To Module   | 3-8         |
|  | 591-391-975 | Wire Harness, J-box To Control Module  | All         |
|  | 591-392-006 | Wiring Harness, Thermostat   | All         |
|  | 591-391-995 | Temperature Sensor Wire Harness  | All         |
|  | 591-392-035 | Time Delay To Gas Valve Wire Harness   | 4           |
| 6  | 510-350-468 | Delay Timer - 24 v., 60 Second, Delay On Make  | 4           |
| 4  | 511-624-401 | Air Pressure Switch 1.79" W.C.   | 25, 3       |
|  | 511-624-657 | Air Pressure Switch 1.36" W. C.  | 4           |
|  | 511-624-303 | Air Pressure Switch 1.12" W.C.   | 5           |
|  | 511-624-304 | Air Pressure Switch .80" W.C.  | 6, 8        |
|  | 511-624-405 | Air Pressure Switch .75" W.C.  | 7           |
| 5  | 381-356-578 | 24 Volt Step Down Transformer, 40 VA   | All         |
| N/S  | 590-317-650 | Air Pressure Switch Tubing, Red, .12 ID Silicone, 17", To Collector Hood   | All         |
|  | 590-317-651 | Air Pressure Switch Tubing, White, .12 ID Silicone, 19" To Transition Box  | All         |
| N/S  | 381-330-035 | LWCO Function Disable Kit - (Includes Temperature Sensor, Sensor Harness, Label, And Instructions) - <b>CP Range - CP7471901 - CP7531679</b> |             |
| 3  | 381-330-028 | Integrated Boiler Control - (Includes, Sensor Harness) - <b>Use On Boilers With A CP Range Less Than CP7531679</b>                           | All         |
|  | 381-330-022 | Integrated Boiler Control - <b>Use only if 381-330-035 Kit Was Already Installed, And CP Range Is Greater Than CP7531680</b>                 |             |
| N/S  | 381-356-577 | Boiler Temperature Sensor, ½" N.P.T  | All         |
|  | 510-811-260 | Natural To LP Conversion Kit CGi   | 25          |
|  | 510-811-262 |  | 3 - 5       |
|  | 510-811-266 |  | 6           |
|  | 510-811-268 |  | 7 & 8       |
|  | 510-811-261 | LP To Natural Conversion Kit CGi   | 25          |
|  | 510-811-263 |  | 3 - 5       |
|  | 510-811-267 |  | 6           |
|  | 510-811-269 |  | 7 & 8       |

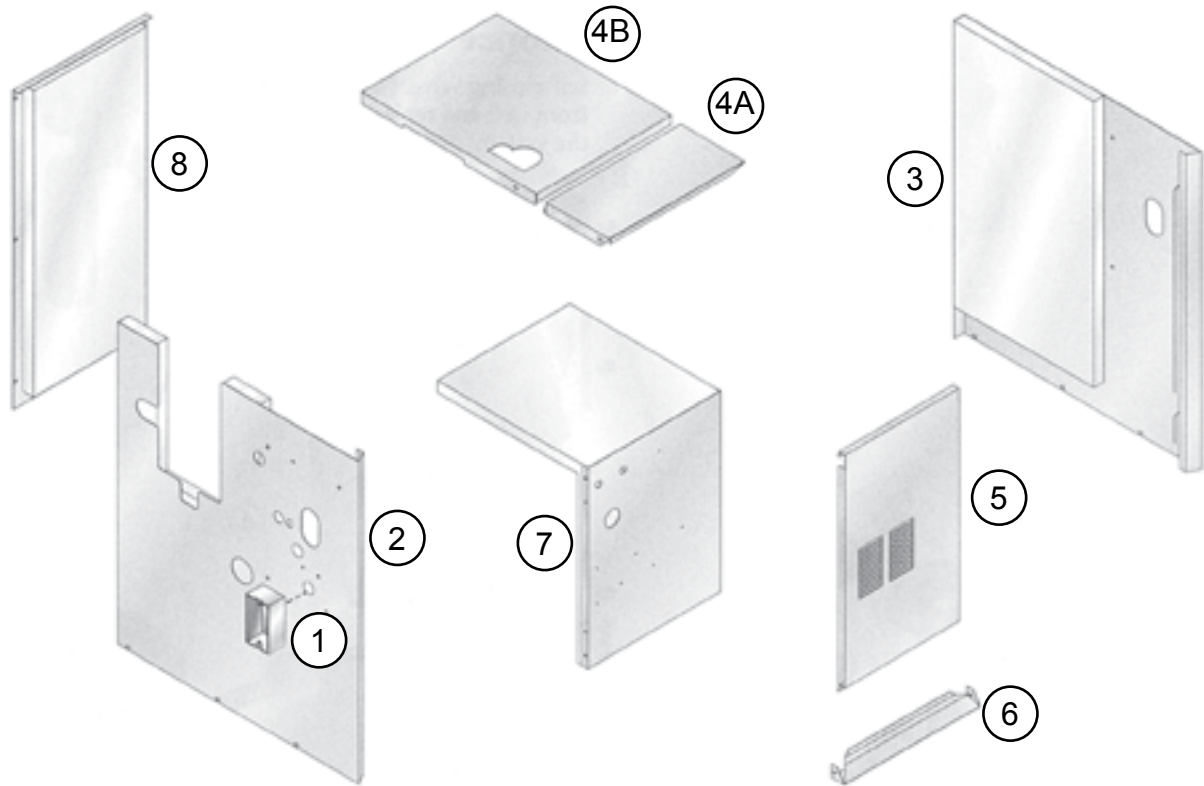
## CGi - Series 2 & 3 Water Trim Parts



| Fig. No. | Part No.    | Description  | Boiler Size |
|----------|-------------|--|-------------|
| 1        | 383-500-095 | Pressure Relief Valve, ASME, 30 PSIG, 3/4" Male Inlet*   | All         |
| 2        | 380-000-000 | Combination Pressure-Temperature Gauge kit, 60° - 360° F, 0 - 75 PSI, 3 1/8" Dia., 1/4" N.P.T., Short Shank, With 1/4" x 1/2" Reducing Bushing | All         |
| 3        | 511-210-423 | Drain Valve, 3/4"  | All         |
|          | 511-246-392 | Drain Valve, 3/4"  | All         |
| 4        | 511-405-113 | Circulator*  | All         |
| 5        | 590-317-535 | Circulator Gasket, Universal (2 Per Boiler)  | All         |
| N/S      | 381-354-530 | Circulator Hardware Kit (Includes: 1 Flange, 1 Gasket, 2 Nuts, 2 Screws – 3/4" N.P.T.)   | 25          |
|          | 381-354-525 | Circulator Hardware Kit (Includes: 1 Flange, 1 Gasket, 2 Nuts, 2 Screws – 1" N.P.T.)   | 3, 4, 5     |
|          | 381-354-526 | Circulator Hardware Kit (Includes: 1 Flange, 1 gasket, 2 Nuts, 2 Screws – 1 1/4" N.P.T.)   | 6, 7        |
|          | 381-354-531 | Circulator Hardware Kit (Includes: 1 Flange, 1 gasket, 2 Nuts, 2 Screws – 1 1/2" N.P.T.)   | 8           |
| 6        | 381-356-528 | Circulator Wiring Harness Kit With Molex (Series 2)  | All         |
|          | 591-391-976 | Circulator Wiring Harness Kit With Molex (Series 3)  | All         |
| 7        | 563-210-632 | Red Male Connector - Circulator Harness  | All         |

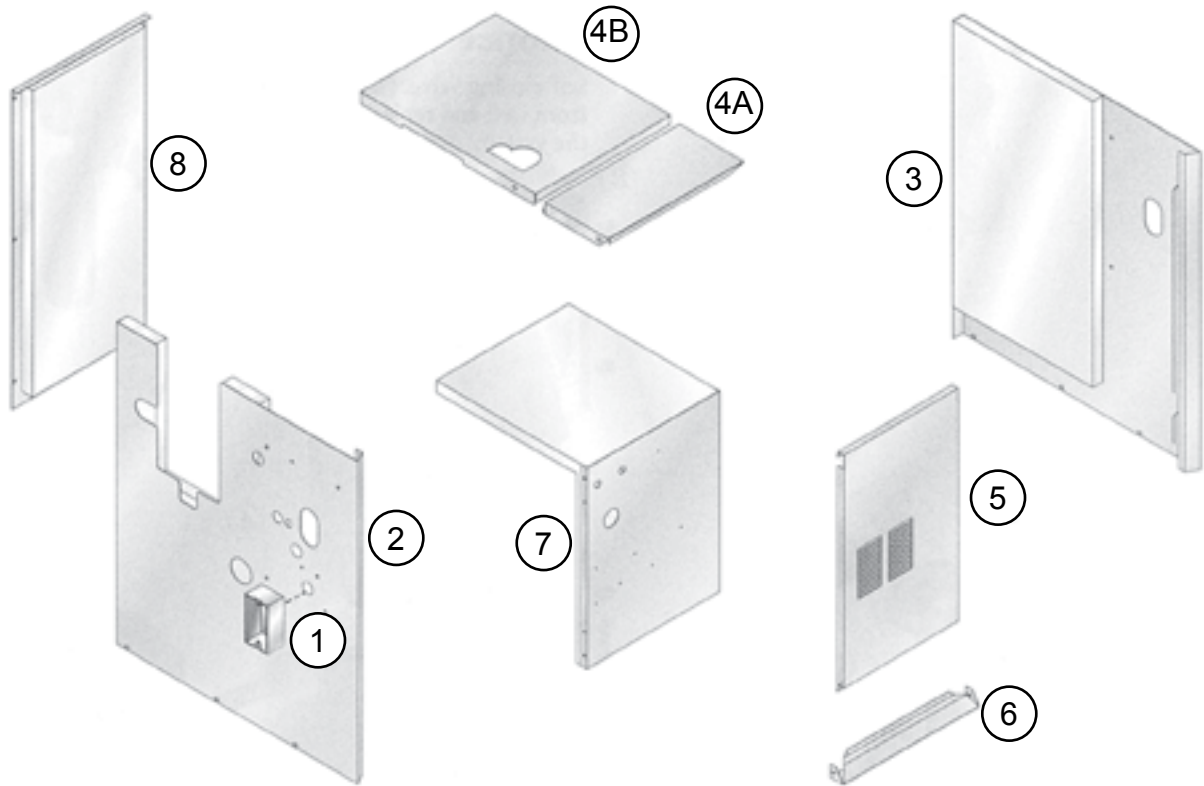
\* Pipe fittings available locally.

## CGi - Series 2 Jacket Assembly Parts



| Boiler Model            | 1                                 | 2                                 |                                  | 3                                  | 4A                                | 4B                               | Boiler Model |
|-------------------------|-----------------------------------|-----------------------------------|----------------------------------|------------------------------------|-----------------------------------|----------------------------------|--------------|
|                         | Junction box, 2 x 4               | Panel, left side, with insulation |                                  | Panel, right side, with insulation | Panel, top front, with insulation | Panel, top rear, with insulation |              |
|                         |                                   | Natural Gas                       | Propane Gas                      |                                    |                                   |                                  |              |
| Weil-McLain part number |                                   |                                   |                                  |                                    |                                   |                                  |              |
| CGi-25                  | (Available at local supply house) | 381-355-534                       | 381-355-581                      | 381-355-757                        | 381-355-403                       | 381-355-539                      | CGi-25       |
| CGi-3                   |                                   | 381-355-541                       |                                  | 381-355-758                        | 381-355-403                       | 381-355-539                      | CGi-3        |
| CGi-4                   |                                   | 381-355-546                       | 381-355-587                      | 381-355-759                        | 381-355-413                       | 381-355-551                      | CGi-4        |
| CGi-5                   |                                   | 381-355-553                       | 381-355-590                      | 381-355-793                        | 381-355-420                       | 381-355-558                      | CGi-5        |
| CGi-6                   |                                   | 381-355-560                       | 381-355-601                      | 381-355-793                        | 381-355-427                       | 381-355-565                      | CGi-6        |
| CGi-7                   |                                   | 381-355-567                       | 381-355-604                      | 381-355-793                        | 381-355-434                       | 381-355-572                      | CGi-7        |
| CGi-8                   |                                   | 381-355-574                       | 381-355-607                      | 381-355-793                        | 381-355-441                       | 381-355-579                      | CGi-8        |
| CGi-4E                  |                                   | 381-355-610                       | 381-355-612                      |                                    |                                   |                                  | CGi-4E       |
| Boiler Model            |                                   | 5                                 | 6                                | 7                                  | 8                                 | N/S                              | Boiler Model |
|                         | Panel, door                       | Cross tie, bottom front           | Panel, interior, with insulation | Panel, rear, with insulation       | Touch Up Paint - Gold             |                                  |              |
|                         | Weil-McLain part number           |                                   |                                  |                                    |                                   |                                  |              |
| CGi-25/3                | 381-355-540                       | 431-223-325                       | 381-355-405                      | 431-223-300                        | 592-002-029<br>Low E<br>4.5oz Can | CGi-25/3                         |              |
| CGi-4                   | 381-355-552                       | 431-223-326                       | 381-355-415                      | 431-223-301                        |                                   | CGi-4                            |              |
| CGi-5                   | 381-355-559                       | 431-223-327                       | 381-355-422                      | 431-223-302                        |                                   | CGi-5                            |              |
| CGi-6                   | 381-355-566                       | 431-223-328                       | 381-355-429                      | 431-223-303                        |                                   | CGi-6                            |              |
| CGi-7                   | 381-355-573                       | 431-223-329                       | 381-355-436                      | 431-223-304                        |                                   | CGi-7                            |              |
| CGi-8                   | 381-355-580                       | 431-223-330                       | 381-355-443                      | 431-223-305                        |                                   | CGi-8                            |              |
| CGi-4E                  | 381-355-611                       |                                   |                                  | 431-223-301                        |                                   | CGi-4E                           |              |

## CGi - Series 3 Jacket Assembly Parts

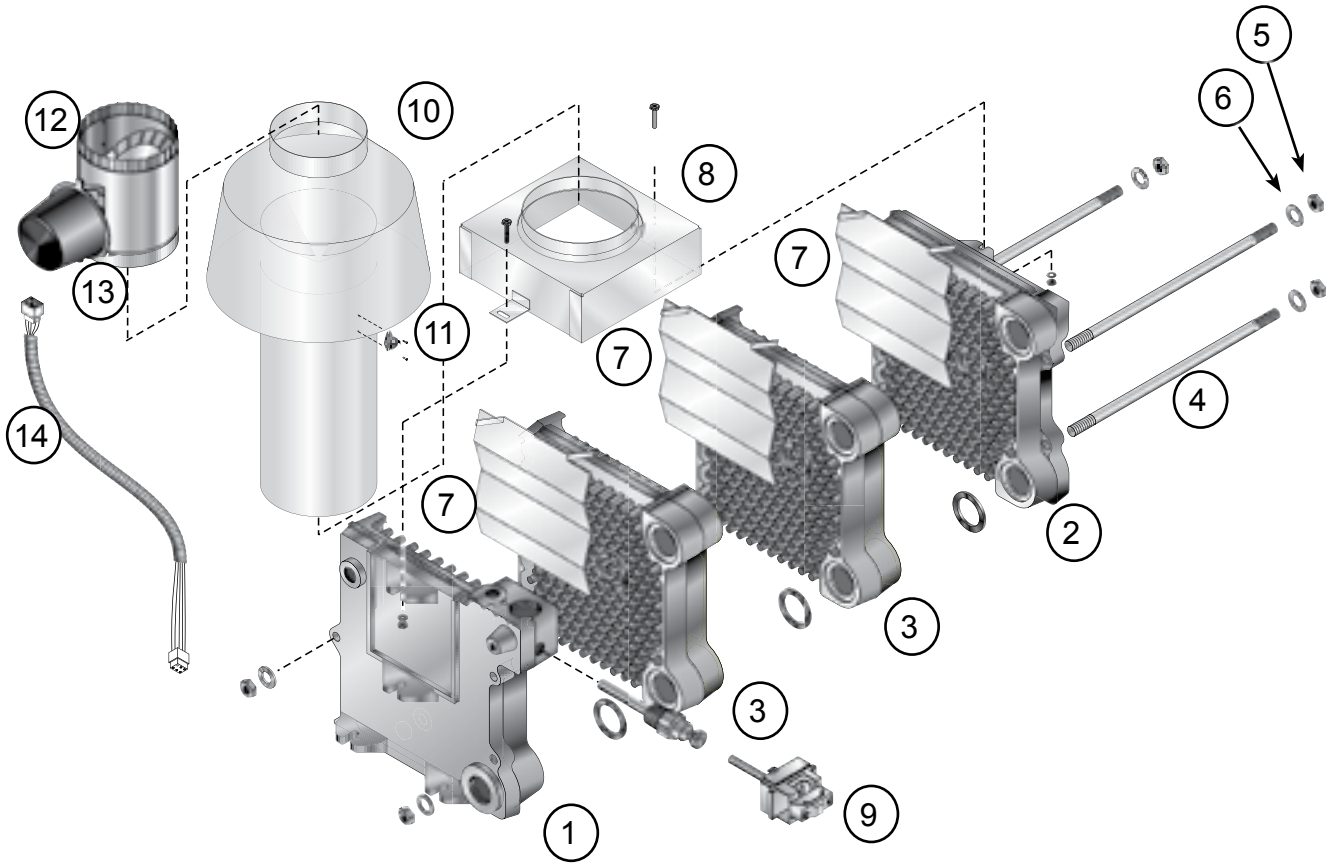


| Boiler Model            | 1                                 | 2                                 |                                  | 3                                  | 4A                                | 4B  | Boiler Model |
|-------------------------|-----------------------------------|-----------------------------------|----------------------------------|------------------------------------|-----------------------------------|---|--------------|
|                         | Junction box, 2 x 4               | Panel, left side, with insulation |                                  | Panel, right side, with insulation | Panel, top front, with insulation | Panel, top rear, with insulation                      |              |
|                         |                                   | Natural Gas                       | Propane Gas                      |                                    |                                   |   |              |
| Weil-McLain part number |                                   |                                   |                                  |                                    |                                   |   |              |
| CGi-25                  | (Available at local supply house) | 381-355-851                       | 381-355-895                      | 381-355-699                        | 381-355-403                       | 381-355-539   | CGi-25       |
| CGi-3                   |                                   | 381-355-858                       | 381-355-898                      | 381-355-699                        | 381-355-403                       | 381-355-539   | CGi-3        |
| CGi-4                   |                                   | 381-355-864                       | 381-355-901                      | 381-355-699                        | 381-355-413                       | 381-355-551   | CGi-4        |
| CGi-5                   |                                   | 381-355-871                       | 381-355-904                      | 381-355-793                        | 381-355-420                       | 381-355-558   | CGi-5        |
| CGi-6                   |                                   | 381-355-877                       | 381-355-907                      | 381-355-793                        | 381-355-427                       | 381-355-565   | CGi-6        |
| CGi-7                   |                                   | 381-355-883                       | 381-355-910                      | 381-355-793                        | 381-355-434                       | 381-355-572   | CGi-7        |
| CGi-8                   |                                   | 381-355-889                       | 381-355-913                      | 381-355-793                        | 381-355-441                       | 381-355-579   | CGi-8        |
| Boiler Model            |                                   | 5                                 | 6                                | 7                                  | 8                                 | N/S   | Boiler Model |
|                         | Panel, door                       | Cross tie, bottom front           | Panel, interior, with insulation | Panel, rear, with insulation       | Touch Up Paint - Gold             |   |              |
|                         | Weil-McLain part number           |                                   |                                  |                                    |                                   |   |              |
| CGi-25/3                | 381-355-540                       | 431-223-325                       | 381-355-405                      | 431-223-300                        | 592-002-029<br>Low E<br>4.5oz Can | CGi-25/3<br>CGi-4<br>CGi-5<br>CGi-6<br>CGi-7<br>CGi-8 |              |
| CGi-4                   | 381-355-552                       | 431-223-326                       | 381-355-415                      | 431-223-301                        |                                   |   |              |
| CGi-5                   | 381-355-559                       | 431-223-327                       | 381-355-422                      | 431-223-302                        |                                   |   |              |
| CGi-6                   | 381-355-566                       | 431-223-328                       | 381-355-429                      | 431-223-303                        |                                   |   |              |
| CGi-7                   | 381-355-573                       | 431-223-329                       | 381-355-436                      | 431-223-304                        |                                   |   |              |
| CGi-8                   | 381-355-580                       | 431-223-330                       | 381-355-443                      | 431-223-305                        |                                   |   |              |



# NOTES

## CGa - Series 1 & 2 Section Assembly Parts



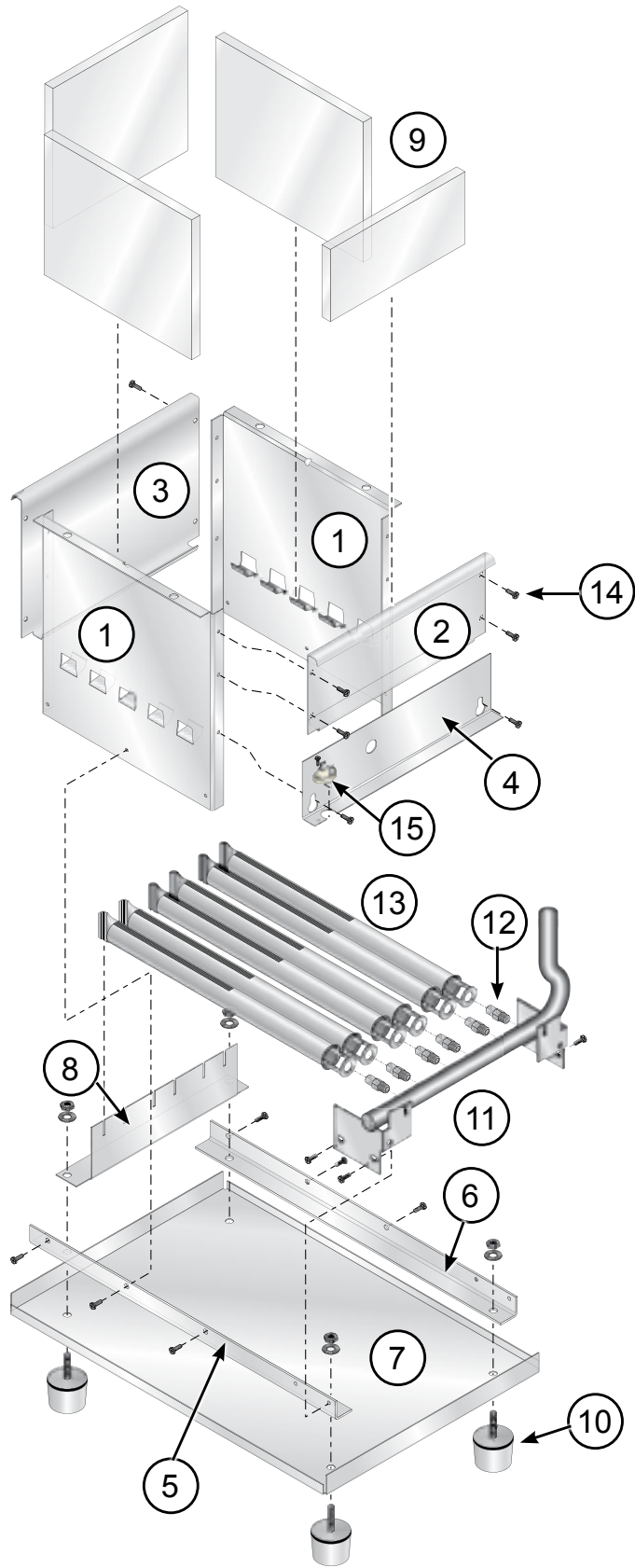
GAS

| Fig. No. | Part No.    | Description  | Boiler Size   |     |
|----------|-------------|--|---|-----|
| 1        | 311-103-850 | End Section, Left Hand, Cast #51124                                    | All   |     |
| 2        | 311-103-821 | End Section, Right Hand, Cast #51128                                   | All   |     |
| 3        | 311-103-818 | Intermediate Section, Cast #51125                                      | All   |     |
| N/S      | 321-114-286 | Replacement Section Assembly - (Series 1 <b>ONLY</b> )<br>With Well    | 25, 3   |     |
|          | 321-114-287 |  | 4   |     |
|          | 321-114-288 |  | 5   |     |
|          | 321-114-289 |  | 6   |     |
|          | 321-114-290 |  | 7   |     |
|          | 321-114-291 |  | 8   |     |
|          | 321-114-345 | Replacement Section Assembly - (Series 2 <b>ONLY</b> )<br>Without Well | 25, 3   |     |
|          | 321-114-346 |  | 4   |     |
|          | 321-114-347 |  | 5   |     |
|          | 321-114-348 |  | 6   |     |
|          | 321-114-349 |  | 7   |     |
|          | 321-114-350 | 8  |   |     |
|          |             | 381-354-527  | Section Replacement Kit (Includes: Seals and Sealant for (1) Joint) | All |
|          |             | 591-608-915  | Retort Cement - ½ Pint Can  | All |

## CGa - Series 1 & 2 Section Assembly Parts Continued

| Fig. No. | Part No.    | Description   | Boiler Size |
|----------|-------------|---|-------------|
| 4        | 560-234-500 | Tie Rod, 7/16" x 9" Without Nut (3 Required for Boiler)                                 | 25, 3       |
|          | 560-234-501 | Tie Rod, 7/16" x 12" Without Nut (3 Required for Boiler)                                | 4           |
|          | 560-234-502 | Tie Rod, 7/16" x 15" Without Nut (3 Required for Boiler)                                | 5           |
|          | 560-234-503 | Tie Rod, 7/16" x 18" Without Nut (3 Required for Boiler)                                | 6           |
|          | 560-234-504 | Tie Rod, 7/16" x 21" Without Nut (3 Required for Boiler)                                | 7           |
|          | 560-234-505 | Tie Rod, 7/16" x 24" Without Nut (3 Required for Boiler)                                | 8           |
| 5        | 561-928-235 | Nut, 7/16" (2 Per Tie Rod)  | All         |
| 6        | 562-248-684 | Washer, lock 7/16" (1 Per Joint)  | All         |
| 7        | 460-003-700 | Radiation Plate (1 Per Joint)   | All         |
| 8        | 381-354-625 | Collector Hood  | 25          |
|          | 381-354-626 |   | 3           |
|          | 381-354-627 |   | 4           |
|          | 381-354-628 |   | 5           |
|          | 381-354-629 |   | 6           |
|          | 381-354-630 |   | 7           |
|          | 381-354-631 |   | 8           |
| 9        | 510-312-250 | High Limit, 140-220°F With 30° Differential and ½" N.P.T. Well, (Series 1 <b>ONLY</b> ) | All         |
|          | 381-356-577 | Boiler Temperature Sensor - (Series 2 <b>ONLY</b> )                                     | All         |
| 10       | 450-021-240 | Draft Hood 4" - Top, 4" Bottom Opening  | 25          |
|          | 450-021-241 | Draft Hood 4" - Top, 5" Bottom Opening  | 3           |
|          | 450-021-242 | Draft Hood 5" - Top, 6" Bottom Opening  | 4           |
|          | 450-021-243 | Draft Hood 6" - Top, 7" Bottom Opening  | 5           |
|          | 450-021-244 | Draft Hood 6" - Top, 7" Bottom Opening  | 6           |
|          | 450-021-245 | Draft Hood 7" - Top, 8" Bottom Opening  | 7           |
|          | 450-021-246 | Draft Hood 7" - Top, 8" Bottom Opening  | 8           |
| 11       | 510-300-013 | Spill Switch 210° F, Manual Reset   | 25          |
|          | 510-300-014 | Spill Switch 240° F, Manual Reset   | 3-8         |
| 12       | 381-800-474 | Vent Damper Assembly, 4", CGa-25, 3   |             |
|          | 381-800-475 | Vent Damper Assembly, 5", CGa-4   |             |
|          | 381-800-476 | Vent Damper Assembly, 6", CGa-5, 6  |             |
|          | 381-800-477 | Vent Damper Assembly, 7", CGa-7, 8  |             |
| 13       | 510-512-337 | Vent Damper Actuator  | All         |
| 14       | 591-391-795 | Vent Damper Harness   | All         |

# CGa - Series 1 & 2 Base Assembly



GAS

## CGa - Series 1 & 2 Base Assembly Parts

| Fig. No. | Part No.    | Description  | Boiler Size |
|----------|-------------|--|-------------|
| 1        | 460-003-710 | Base Side Panel (2 Required)                           | All         |
| 2        | 460-003-777 | Base Front Cross-Tie                                   | 25-3        |
|          | 460-003-778 |  | 4           |
|          | 460-003-779 |  | 5           |
|          | 460-003-780 |  | 6           |
|          | 460-003-781 |  | 7           |
|          | 460-003-782 |  | 8           |
| 3        | 460-003-701 | Base Back Cross-Tie                                    | 25-3        |
|          | 460-003-702 |  | 4           |
|          | 460-003-703 |  | 5           |
|          | 460-003-704 |  | 6           |
|          | 460-003-705 |  | 7           |
|          | 460-003-706 |  | 8           |
| 4        | 460-003-741 | Access Panel   | 25-3        |
|          | 460-003-742 |  | 4           |
|          | 460-003-743 |  | 5           |
|          | 460-003-744 |  | 6           |
|          | 460-003-745 |  | 7           |
|          | 460-003-746 |  | 8           |
| 5 & 6    | 450-030-971 | Base Pan Side Angle, Universal Fits Right Or Left Side | All         |
| 7        | 450-003-730 | Base Pan   | 25-3        |
|          | 450-003-731 |  | 4           |
|          | 450-003-732 |  | 5           |
|          | 450-003-733 |  | 6           |
|          | 450-003-734 |  | 7           |
|          | 450-003-735 |  | 8           |
| 8        | 450-003-742 | Burner Rest  | 25          |
|          | 450-003-736 |  | 3           |
|          | 450-003-737 |  | 4           |
|          | 450-003-738 |  | 5           |
|          | 450-003-739 |  | 6           |
|          | 450-003-740 |  | 7           |
|          | 450-003-741 |  | 8           |
| 9        | 381-354-518 | Base Insulation Kit                                    | 25-5        |
|          | 381-354-519 |  | 6-8         |
| 10       | 590-424-252 | Boiler Leg (3"), 1 Leg, 4 Required                     | All         |

## CGa - Series 1 & 2 Base Assembly Parts Continued

| Fig. No. | Part No.          | Description  | Boiler Size |
|----------|-------------------|--|-------------|
| 11       | 591-126-615       | Burner Manifold  | 25          |
|          | 591-126-616       |  | 3           |
|          | 591-126-617       |  | 4           |
|          | 591-126-618       |  | 5           |
|          | 591-126-619       |  | 6           |
|          | 591-126-556       |  | 7           |
|          | 591-126-557       |  | 8           |
| 12       | 560-528-997       | Main Burner Orifice – Natural Gas 2.0mm  | All         |
|          | 560-528-998       | Main Burner Orifice – Propane Gas 1.3mm  | All         |
| 13       | 512-200-077       | Main Burner - Stainless Steel  | All         |
| N/S      | 512-200-079       | Main Burner - Stainless Steel With Pilot Bracket (Standing Pilot) - (Available With Pilot Burner Kit)                        | All         |
|          | 512-200-078       | Main Burner With Pilot Bracket (Spark Ignition Pilot)(Available With Pilot Burner Kit), Standing Pilot, LP                   | All         |
| 14       | Available Locally | Screw, 10-32 x 3/8" STP Type D HEX, Washer Heat Slotted, Zinc Plated   |             |
| 15       | 512-050-230       | Rollout Thermal Fuse Element, 228°C  | All         |
| N/S      | 381-354-355       | Base Replacement Carton - (Includes, Base Panels - Items 1, 2, 3, 4, 5, 6, and 7, Insulation, Air Box Gaskets, and Hardware) | 25          |
|          | 381-354-356       |  | 3           |
|          | 381-354-357       |  | 4           |
|          | 381-354-358       |  | 5           |
|          | 381-354-359       |  | 6           |
|          | 381-354-360       |  | 7           |
|          | 381-354-361       |  | 8           |

**Notes:**

**Order sufficient quantities to replace all orifices within a base.**

**Number of burners:**

**CGa-25: 2 main burners and 1 burner with pilot bracket**

**CGa-3: 3 main burners and 1 burner with pilot bracket**

**CGa-4: 5 main burners and 1 burner with pilot bracket**

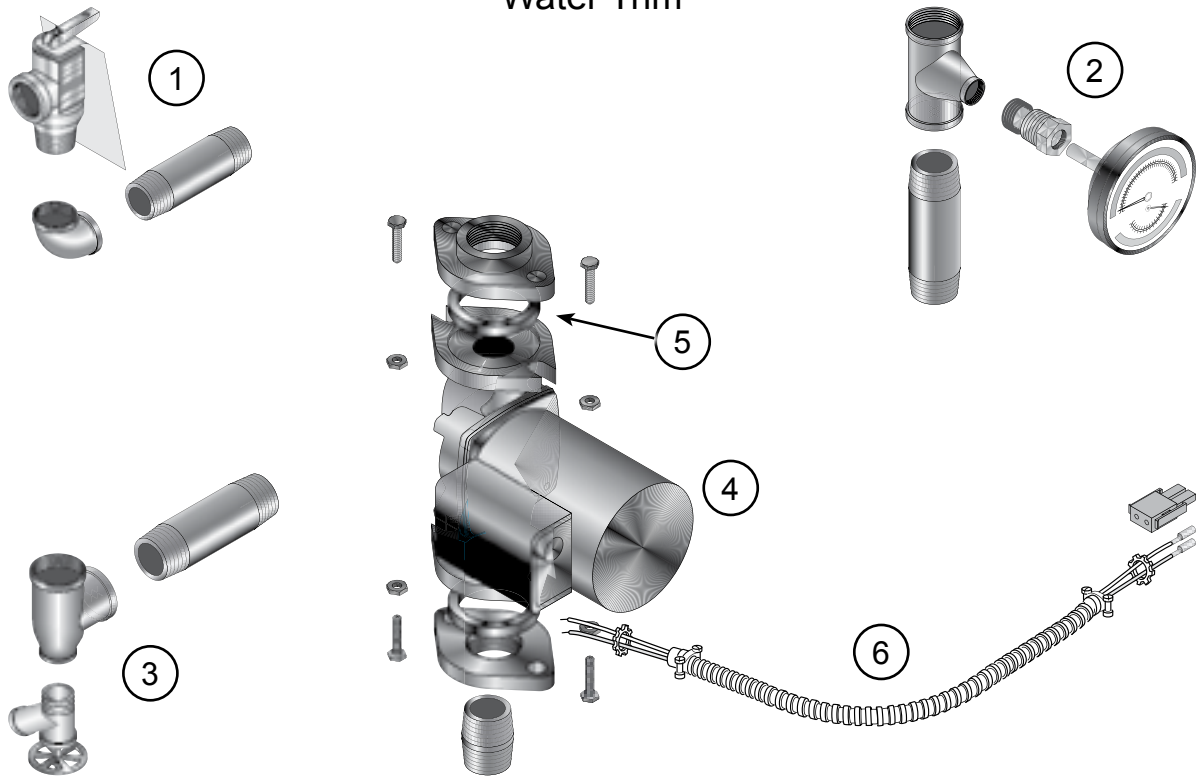
**CGa-5: 7 main burners and 1 burner with pilot bracket**

**CGa-6: 9 main burners and 1 burner with pilot bracket**

**CGa-7: 11 main burners and 1 burner with pilot bracket**

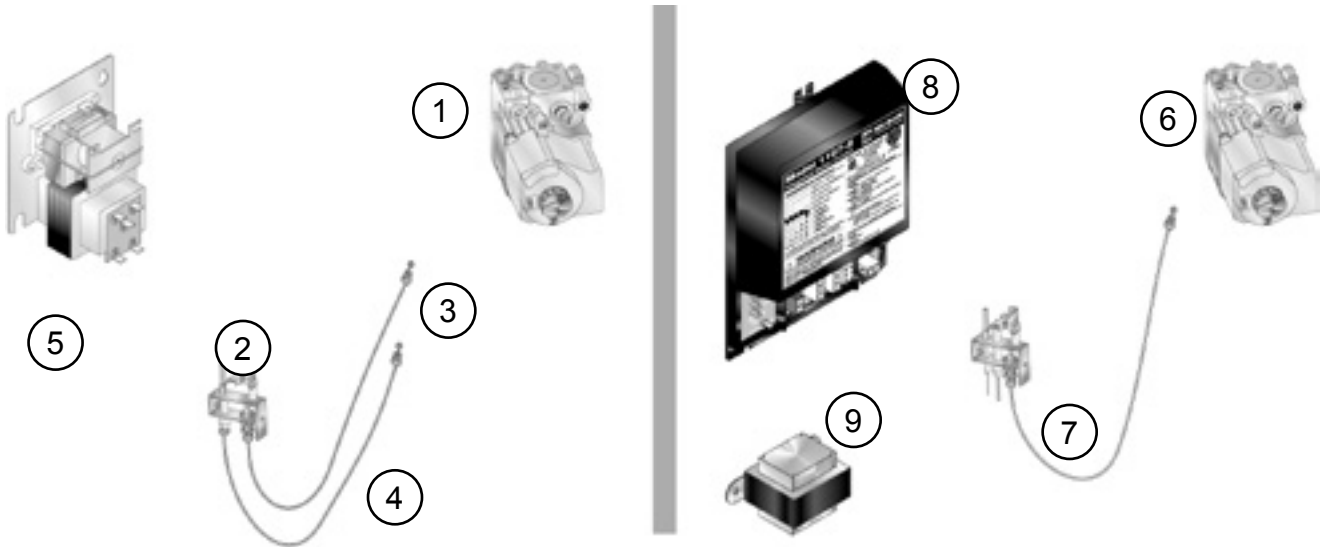
**CGa-8: 13 main burners and 1 burner with pilot bracket**

## CGa - Series 1 & 2 Water Trim



| Fig. No. | Part No.    | Description   | Boiler Size |
|----------|-------------|---|-------------|
| 1        | 383-500-095 | Pressure Relief Valve, ASME, 30 PSIG, 3/4" Male Inlet (Fittings Shown are Factory Installed on Boiler)                                  | All         |
| 2        | 380-000-000 | Combination Pressure-Temperature Gauge Kit, 60°-360°F 0-75 PSI, 3 1/8" Dia., 1/4" N.P.T., Short Shank With 1/4" x 1/2" Reducing Bushing | All         |
| 3        | 511-210-423 | Drain Valve 3/4" N.P.T  | All         |
| 4        | 511-405-113 | Circulator (Fittings Shown are Factory Installed on Boiler)   | All         |
| 5        | 590-317-535 | Circulator Gasket, Universal (2 Per Boiler)   | All         |
| N/S      | 381-354-530 | Circulator Hardware Kit (Includes: (1) Flange, (1) Gasket, (2) Nuts, (2) Screws) 3/4" N.P.T.  | 25          |
|          | 381-354-525 | Circulator Hardware Kit (Includes: (1) Flange, (1) Gasket, (2) Nuts, (2) Screws) 1" N.P.T.  | 3, 4, 5     |
|          | 381-354-526 | Circulator Hardware Kit (Includes: (1) Flange, (1) Gasket, (2) Nuts, (2) Screws) 1 1/4" N.P.T.  | 6, 7        |
|          | 381-354-531 | Circulator Hardware Kit (Includes: (1) Flange, (1) Gasket, (2) Nuts, (2) Screws) 1 1/2" N.P.T.  | 8           |
| 6        | 591-319-793 | Circulator Wiring Harness Kit for Standing Pilot Ignition - (Series 1 <b>ONLY</b> )   | All         |
|          | 381-356-528 | Circulator Wiring Harness Kit, For Spark Ignition (with Molex Connector) - (Series 1 <b>ONLY</b> )                                      | All         |
|          | 591-391-976 | Circulator Wiring Harness - (Series 2 <b>ONLY</b> )   | All         |
| N/S      | 563-210-632 | Mate-N-Lock Connector - (Red) - (Series 2 <b>ONLY</b> )   | All         |

## CGa - Series 1 Control Parts



| <b>CGa - Series 1</b>   |             |   |             |
|---|-------------|---|-------------|
| Fig. No.  | Part No.    | Description   | Boiler Size |
| <b>Standing Pilot – Natural Gas Components</b>                                    |             |   |             |
| 1   | 511-044-360 | Gas Valve, 1/2" x 1/2", Natural                                 | 25-6        |
|   | 511-044-256 | Gas Valve, 3/4" x 3/4", Natural 1.2" Step Open                  | 7, 8        |
| 2   | 510-811-644 | Pilot Assembly Kit With Orifice                                 | All         |
| 3   | 560-742-860 | Tubing, pilot, Aluminum 1/8" x 22 3/4"                          | All         |
| 4   | 511-724-254 | Thermocouple, 30"   | All         |
| <b>Standing Pilot – Propane Gas Components</b>                                    |             |   |             |
| 1   | 381-356-534 | Gas Valve, 1/2" x 1/2", With 3/4" Adapters, LP, 2.2" Step Open  | 25-8        |
| 2   | 510-811-646 | Pilot Assembly Kit With Orifice                                 | All         |
| 3   | 560-742-860 | Tubing, Pilot, Aluminum 1/8" x 22 3/4"                          | All         |
| 4   | 511-724-253 | Thermocouple, 48"   | All         |
| <b>Standing Pilot Components For Natural and Propane Gas</b>                      |             |   |             |
| 5   | 510-312-167 | Transformer and Relay Assembly                                  | All         |
|   | 510-350-223 | Relay Only- Standing Pilot                                      | All         |
| N/S   | 510-312-166 | Transformer Only – Standing Pilot                               | All         |
|   | 591-391-862 | Standing Pilot Wiring Harness                                   | All         |
| <b>Pilot Gas Components For Natural and Propane Gas – CGa 25 &amp; CGa 3 Only</b> |             |   |             |
| N/S   | 510-811-648 | Pilot Gas Pressure Regulator, 4.0" W.C. Outlet                  | 25, 3       |
| <b>CGa - Series 1 Continued</b>   |             |   |             |
| Fig. No.  | Part No.    | Description   | Boiler Size |
| N/S   | 560-742-859 | Tubing, Aluminum From Gas Valve to Regulator, 1/4" x 3" 90°     | 25, 3       |
|   | 562-302-017 | Adapter, Male 1/8" x 7/16"-24, From Regulator to Pilot Gas Line | 25, 3       |

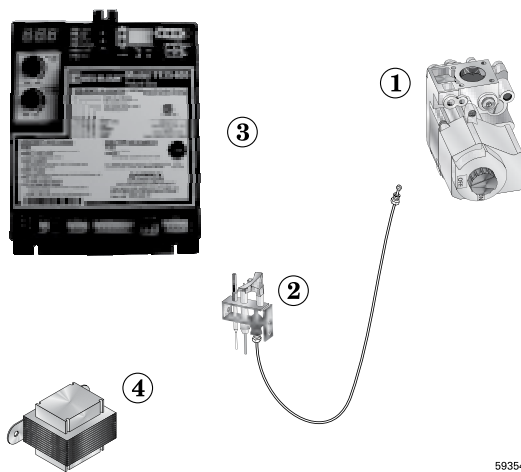


CGa - Series 1  
Control Parts Continued

| <b>Standing Pilot Conversion Kits</b>                              |             |   |      |
|--|-------------|---|------|
| <b>These Kits Will Retrofit CG/CGM - Series 4 Thru 12</b>          |             |   |      |
| N/S  | 510-811-363 | Conversion Kit: Natural To Propane CGa 7-8 (Standing Pilot Only)                          |      |
|  | 510-811-356 | Conversion Kit: Propane To Natural CGa 25-6 (Standing Pilot Only)                         |      |
|  | 510-811-357 | Conversion Kit: Propane To Natural CGa 7-8 (Standing Pilot Only)                          |      |
|  | 510-811-362 | Conversion Kit: Natural To Propane CGa 25-6 (Standing Pilot Only)                         |      |
| <b>Spark Ignition Components For Natural Gas</b>                   |             |   |      |
| <b>Spark Ignition Cannot Be Used With Propane Gas For Series 1</b> |             |   |      |
| 6  | 511-044-381 | Gas Valve, 1/2" x 1/2"  | 25-6 |
|  | 511-044-382 | Gas Valve, 3/4" x 3/4"  | 7, 8 |
| 7  | 511-330-218 | Pilot Assembly Kit With Orifice, Aluminum Pilot Gas Tubing, And Spark Wire and Sense Wire | All  |
| 8  | 511-330-079 | Ignition Control Module   | All  |
| 9  | 511-842-370 | 24 Volt Step Down Transformer, 40 VA  | All  |
| N/S  | 591-391-900 | Wire Harness, Power Supply  | All  |
|  | 591-391-905 | Wire Harness, Spark Ignition, Controls  | All  |

## CGa - Series 2 Control Parts

### Spark-ignited pilot controls



59354

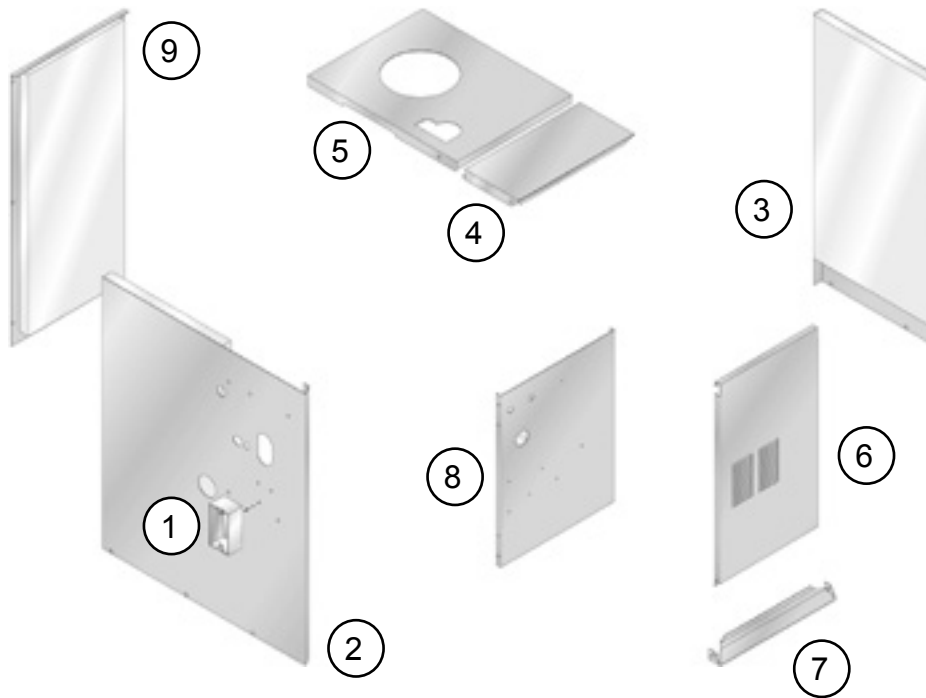
| <b>CGa - Series 2</b>                            |             |  |             |
|--|-------------|--|-------------|
| Fig. No.   | Part No.    | Description  | Boiler Size |
| <b>Spark Ignition Components For Natural Gas</b> |             |  |             |
| 1  | 511-044-381 | Gas Valve, 1/2" x 1/2",  | 25-6        |
|  | 511-044-382 | Gas Valve, 3/4" x 3/4", 1.2" Step Open   | 7, 8        |
| 2  | 511-330-218 | Pilot Assembly Kit - (Includes, Orifice, and Pilot Tubing)   | All         |
| N/S  | 381-330-035 | LWCO Function Disable Kit - (Includes Temperature Sensor, Sensor Harness, Label, And Instructions) - <b>CP Range - CP7528674 - CP7540455</b> |             |
| 3  | 381-330-026 | Integrated Boiler Control - (Includes, Sensor Harness) - <b>Use On Boilers With A CP Range Less Than CP7529278</b>                           | All         |
|  | 381-330-024 | Integrated Boiler Control - <b>Use only If 381-330-035 Kit Was Already Installed, And CP Range Is Greater Than CP7529279</b>                 | All         |
| <b>Spark Ignition Components For Propane Gas</b> |             |  |             |
| 1  | 511-044-356 | Gas Valve 3/4" X 3/4" - 2.5" Step Open   | 25-7        |
|  | 511-044-366 | Gas Valve 3/4" X 3/4" - Slow Open  | 8           |
| 2  | 511-330-273 | Pilot Assembly Kit - (Includes Orifice, and Pilot Tubing)  | All         |
| N/S  | 381-330-035 | LWCO Function Disable Kit - (Includes Temperature Sensor, Sensor Harness, Label, And Instructions) - <b>CP Range - CP7528674 - CP7540455</b> |             |
| 3  | 381-330-027 | Integrated Boiler Control - (Includes, Sensor Harness) - <b>Use On Boilers With A CP Range Less Than CP7540389</b>                           | All         |
|  | 381-330-021 | Integrated Boiler Control - <b>Use only If 381-330-035 Kit Was Already Installed, And CP Range Is Greater Than CP7540390</b>                 | All         |

GAS

**CGa - Series 2**  
**Control Parts Continued**

| <b>CGa - Series 2</b>                                     |             |  |             |
|---|-------------|--|-------------|
| Fig. No.  | Part No.    | Description  | Boiler Size |
| <b>Common Components For Both Natural and Propane Gas</b> |             |  |             |
| N/S   | 381-356-577 | Boiler Temperature Sensor, ½" N.P.T  | All         |
|   | 591-392-035 | Wire Harness, Temperature Sensor   | All         |
| 4   | 381-356-578 | Control Transformer, 24 Volt, 40 VA  | All         |
| N/S   | 591-391-975 | Wire Harness, Power, J Box To Module   | All         |
|   | 591-391-976 | Circulator Harness   | All         |
|   | 591-392-006 | Thermostat Harness   | All         |
|   | 591-391-977 | Wire Harness, Controls To Module   | All         |
|   | 512-050-230 | Rollout Fuse Element, 228° C.  | All         |
|   | 510-300-013 | Spill Switch, 210° F, Manual Reset   | 25          |
|   | 510-300-014 | Spill Switch, 240° F, Manual Reset   | 3-8         |
| <b>Series 2 Only - Conversion Kits</b>                    |             |  |             |
| N/S   | 510-811-946 | Natural Gas To Propane - (Includes, Gas Valve, Orifices, Burner With Pilot Bracket, Temperature Sensor Wire Harness, Pilot Assembly With Tubing, Module-1135-606, Bushing-¾" x ½" N.P.T, Hardware, Labels, and Instructions) | 25-7        |
|   | 510-811-947 | Natural Gas To Propane - (Includes, Gas Valve, Orifices, Burner With Pilot Bracket, Temperature Sensor Wire Harness, Pilot Assembly With Tubing, Module -1135-606, Hardware, Labels, and Instructions)                       | 8           |
|   | 510-811-948 | Propane To Natural Gas - (Includes, Gas Valve, Orifices, Burner With Pilot Bracket, Temperature Sensor Wire Harness, Pilot Assembly With Tubing, Module -1135-605, Hardware, Labels, and Instructions)                       | 25-6        |
|   | 510-811-949 | Propane To Natural Gas - (Includes, Gas Valve, Orifices, Burner With Pilot Bracket, Temperature Sensor Wire Harness, Pilot Assembly With Tubing, Module -1135-605, Hardware, Labels, and Instructions)                       | 7-8         |
| <b>Series 2 Only - Control Kits</b>                       |             |  |             |
| N/S   | 381-356-586 | Outdoor Temperature Sensor Kit - (Includes Sensor, Wire Harness, and Instructions)   | All         |
|   | 381-356-585 | Zone Interface Harness Kit - (Includes Wire Harness, Cable Clamp, and Instructions)  | All         |
|   | 383-500-125 | Outdoor Sensor - 30/50°C, 12 Kohms   |             |

## CGa - Series 1 Jacket Assembly Parts

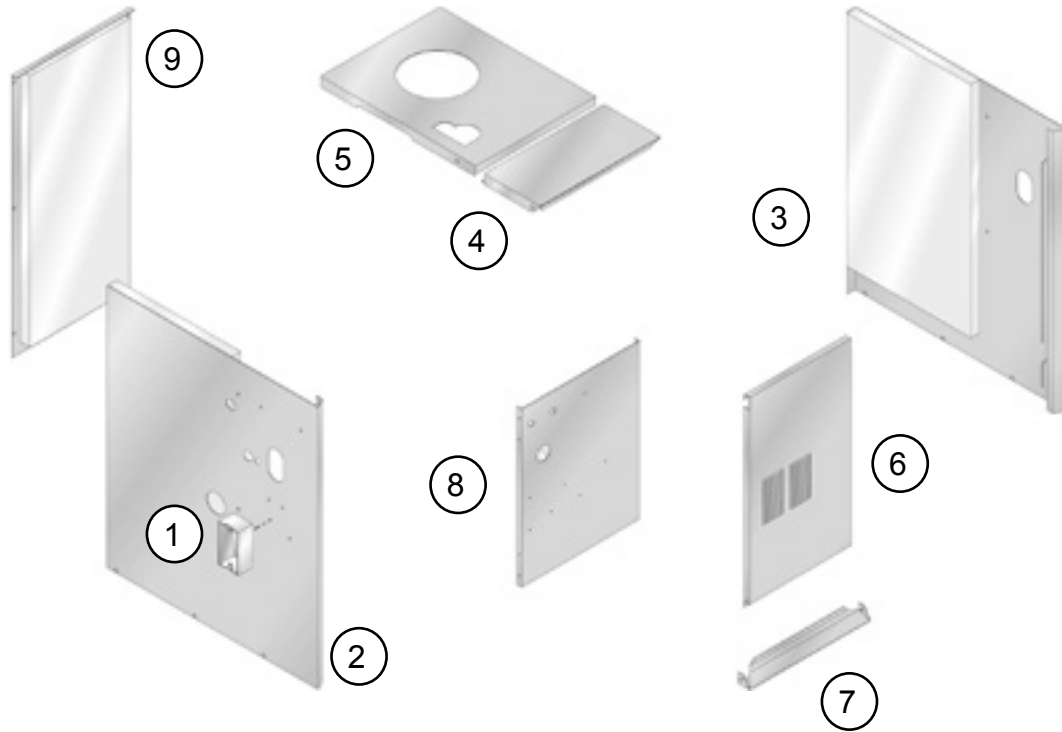


| Fig. No. | Part No.          | Description  | Boiler Model |
|----------|-------------------|--|--------------|
| 1        | Available Locally | Junction box, 2 x 4  | CGa 25-8     |
| 2        | 381-355-400       | Panel, Left Side, With Insulation (Natural Gas Standing Pilot) | CGa-25       |
|          | 381-355-407       |  | CGa-3        |
|          | 381-355-410       |  | CGa-4        |
|          | 381-355-417       |  | CGa-5        |
|          | 381-355-424       |  | CGa-6        |
|          | 381-355-431       |  | CGa-7        |
|          | 381-355-438       |  | CGa-8        |
|          | 381-355-451       | Panel, Left Side, With Insulation (Propane Gas Standing Pilot) | CGa-4        |
|          | 381-355-454       |  | CGa-5        |
|          | 381-355-457       |  | CGa-6        |
|          | 381-355-460       |  | CGa-7        |
|          | 381-355-463       |  | CGa-8        |
|          | 381-355-466       |  | CGa-25       |
|          | 381-355-470       | Panel, Left Side, With Insulation (Natural Gas Spark Ignition) | CGa-3        |
|          | 381-355-473       |  | CGa-4        |
|          | 381-355-477       |  | CGa-5        |
|          | 381-355-481       |  | CGa-6        |
|          | 381-355-485       |  | CGa-7        |
|          | 381-355-489       |  | CGa-8        |

## CGa - Series 1 Jacket Assembly Parts Continued

| Fig. No. | Part No.    | Description  | Boiler Model |
|----------|-------------|--|--------------|
| 3        | 381-355-699 | Panel, Right Side, With Insulation - (Natural Gas, Standing Pilot) | CGa-25       |
|          | 381-355-745 |  | CGa-3        |
|          | 381-355-746 |  | CGa-4        |
|          | 381-355-793 |  | CGa-5-CGa-8  |
|          | 381-355-747 | Panel, Right Side, With Insulation - (Propane Gas, Standing Pilot) | CGa-25       |
|          | 381-355-749 |  | CGa-4        |
|          | 381-355-793 |  | CGa-5-CGa-8  |
|          | 381-355-754 | Panel, Right Side, With Insulation - (Natural Gas, Spark Pilot)    | CGa-25       |
|          | 381-355-755 |  | CGa-3        |
|          | 381-355-756 |  | CGa-4        |
|          | 381-355-793 |  | CGa-5-CGa-8  |

## CGa - Series 2 Jacket Assembly Parts



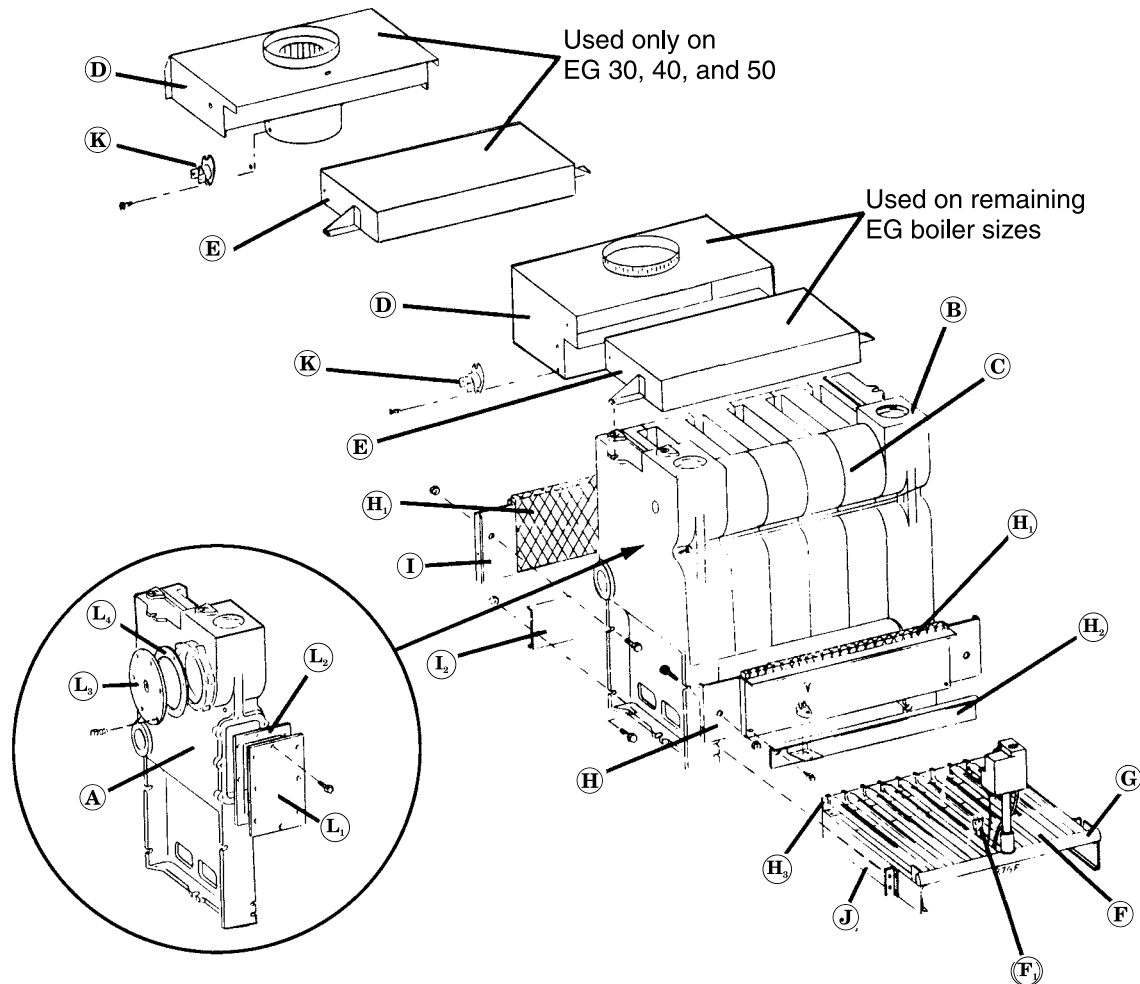
GAS

| Fig. No.    | Part No.          | Description  | Boiler Model |
|-------------|-------------------|--|--------------|
| 1           | Available Locally | Junction Box, 2" x 4"  | All          |
| 2           | 381-355-800       | Panel, Left Side, With Insulation (Natural Gas - Spark Ignition) | CGa-25       |
|             | 381-355-805       |  | CGa-3        |
|             | 381-355-809       |  | CGa-4        |
|             | 381-355-814       |  | CGa-5        |
|             | 381-355-818       |  | CGa-6        |
|             | 381-355-822       |  | CGa-7        |
|             | 381-355-826       |  | CGa-8        |
|             | 381-355-830       |  | CGa-25       |
|             | 381-355-833       |  | CGa-3        |
|             | 381-355-836       |  | CGa-4        |
|             | 381-355-839       |  | CGa-5        |
|             | 381-355-842       |  | CGa-6        |
|             | 381-355-845       |  | CGa-7        |
|             | 381-355-848       |  | CGa-8        |
|             | 3                 |  | 381-355-699  |
| 381-355-793 |                   | CGa-5-CGa-8  |              |

## CGa - Series 1 & 2 Common Jacket Assembly Parts

| Fig. No. | Part No.    | Description                             | Boiler Model |
|----------|-------------|---|--------------|
| 4        | 381-355-403 | Jacket Panel, Top Front                 | CGa-25/3     |
|          | 381-355-413 |   | CGa-4        |
|          | 381-355-420 |   | CGa-5        |
|          | 381-355-427 |   | CGa-6        |
|          | 381-355-434 |   | CGa-7        |
|          | 381-355-441 |   | CGa-8        |
| 5        | 381-355-404 | Panel, Top Rear                         | CGa-25/3     |
|          | 381-355-414 |   | CGa-4        |
|          | 381-355-421 |   | CGa-5        |
|          | 381-355-428 |   | CGa-6        |
|          | 381-355-435 |   | CGa-7        |
|          | 381-355-442 |   | CGa-8        |
| 6        | 381-355-406 | Panel, Door                             | CGa-25/3     |
|          | 381-355-416 |   | CGa-4        |
|          | 381-355-423 |   | CGa-5        |
|          | 381-355-430 |   | CGa-6        |
|          | 381-355-437 |   | CGa-7        |
|          | 381-355-444 |   | CGa-8        |
| 7        | 431-223-325 | Cross Tie, Bottom Front                 | CGa-25/3     |
|          | 431-223-326 |   | CGa-4        |
|          | 431-223-327 |   | CGa-5        |
|          | 431-223-328 |   | CGa-6        |
|          | 431-223-329 |   | CGa-7        |
|          | 431-223-330 |   | CGa-8        |
| 8        | 381-355-405 | Panel, Interior, With Insulation        | CGa-25/3     |
|          | 381-355-415 |   | CGa-4        |
|          | 381-355-422 |   | CGa-5        |
|          | 381-355-429 |   | CGa-6        |
|          | 381-355-436 |   | CGa-7        |
|          | 381-355-443 |   | CGa-8        |
| 9        | 431-223-300 | Panel, Rear, With Insulation            | CGa-25/3     |
|          | 431-223-301 |   | CGa-4        |
|          | 431-223-302 |   | CGa-5        |
|          | 431-223-303 |   | CGa-6        |
|          | 431-223-304 |   | CGa-7        |
|          | 431-223-305 |   | CGa-8        |
| N/S      | 592-002-029 | Touch Up Paint - Gold - Low E 4.5oz Can | All          |

## EG - Series 1 Through 5 Section / Base Assembly Parts



| Fig. No. | Part No.    | Description   | Boiler Series |
|----------|-------------|---|---------------|
| N/S      | 321-811-095 | Section Assembly, Complete: EG, P-EG 30, 35 Without Heater Opening                                    | 1-5           |
|          | 321-811-100 | Section Assembly, Complete: EG, P-EG 35, With Heater Opening (Tankless Heater Not Available On EG-30) | 1-5           |
|          | 321-811-110 | Section Assembly, Complete: EG, P-EG 40, 45 With Heater Opening                                       | 1-5           |
|          | 321-811-115 | Section Assembly, Complete: EG, P-EG 40, 45 Without Heater Opening                                    | 1-5           |
|          | 321-811-120 | Section Assembly, Complete: EG, P-EG 50, 55 With Heater Opening                                       | 1-5           |
|          | 321-811-125 | Section Assembly, Complete: EG, P-EG 50, 55 Without Heater Opening                                    | 1-5           |
|          | 321-811-130 | Section Assembly, Complete: EG 65 With Heater Opening   | 1-5           |
|          | 321-811-135 | Section Assembly, Complete: EG 65 Without Heater Opening  | 1-5           |
|          | 321-811-140 | Section Assembly, Complete: EG 75 With Heater Opening   | 1-5           |
|          | 321-811-145 | Section Assembly, Complete: EG 75 Without Heater Opening  | 1-5           |
| A        | 311-800-014 | Left Hand End Section With Heater Opening-( Pattern No.1814 )   | 1-5           |
|          | 311-800-007 | Left Hand End Section Without Heater Opening-( Pattern No.1813 )                                      | 1-5           |
| B        | 311-800-029 | Right Hand End Section Without Heater Opening-( Pattern No.18118 )                                    | 1-5           |
| C        | 311-800-010 | Intermediate Section-( Pattern No.1815 )  | 1-5           |



## EG - Series 1 Through 5 Section / Base Assembly Parts

| Fig. No. | Part No.    | Description   | Boiler Series |
|----------|-------------|---|---------------|
| N/S      | 381-800-667 | Section Replacement Kit (Includes: (1) 3" and 6" Elastomer Seal, 2 Pieces ¼" Rope Seal, 1-2.8 oz Tube of Silicone) Order 1 Kit Per Joint Between Sections | 1-5           |
|          | 592-800-010 | 3" Dia. Bottom Elastomer Seal (1 Per Joint)   | 1-5           |
|          | 592-800-007 | 6" Dia. Top Elastomer Seal (1 Per Joint)  | 1-5           |
|          | 590-735-122 | Sealer For Sections (¼" Rope- 22¾" Length ) 2 Pieces Required.  | 1-5           |
|          | 513-000-002 | Silicone ( High temperature--2.8oz )--Used To Attach Rope Seal  | 1-5           |
|          | 560-234-470 | ½" x 14" Tie Rod Without Nut (2 Per Boiler): EG, P-EG-30,35   | 1-5           |
|          | 560-234-475 | ½" x 18½" Tie Rod Without Nut (2 Per Boiler): EG, P-EG-40,45  | 1-5           |
|          | 560-234-480 | ½" x 22¾" Tie Rod Without Nut (2 Per Boiler): EG, P-EG-50,55  | 1-5           |
|          | 560-234-485 | ½" x 27" Tie Rod Without Nut (2 Per Boiler): EG-65  | 1-5           |
|          | 560-234-490 | ½" x 31¼" Tie Rod Without Nut (2 Per Boiler): EG-75   | 1-5           |
|          | 561-928-221 | ½" Hex Nut (2 Per Tie Rod) - Purchase Locally   | 1-5           |
|          | 562-248-668 | ½" Split Lock Washer (1 Per Tie Rod)  | 1-5           |
|          | 591-602-913 | Retort Cement (1 Quart)   | 1-5           |
|          | 591-706-214 | Flue brush, 124 DMG 42" Long  | 1-5           |
| D        | 450-021-255 | Draft Hood: EG, P-EG- 30 ( 9⅝" Left To Right Dimension )  | 1-5           |
|          | 450-021-256 | Draft Hood: EG, P-EG- 35 ( 9⅝" Left To Right Dimension )  | 1-5           |
|          | 450-021-257 | Draft Hood: EG, P-EG- 40 ( 13⅞" Left To Right Dimension )   | 1-5           |
|          | 450-021-258 | Draft Hood: EG, P-EG- 45 ( 13⅞" Left To Right Dimension )   | 1-5           |
|          | 450-021-259 | Draft Hood: EG, P-EG- 50 ( 18⅞" Left To Right Dimension )   | 1-5           |
|          | 450-021-260 | Draft Hood: EG, P-EG- 55 ( 18⅞" Left To Right Dimension )   | 1-5           |
|          | 450-021-261 | Draft Hood: EG-65 ( 22-7/16" Left To Right Dimension )  | 1-5           |
|          | 450-021-262 | Draft Hood: EG-75 ( 26-11/16" Left To Right Dimension )   | 1-5           |
| E        | 450-014-733 | Collector Hood: EG, P-EG-30, 35 ( 9½" Left To Right Dimension )   | 1-5           |
|          | 450-014-734 | Collector Hood: EG, P-EG-40, 45 ( 13¾" Left To Right Dimension )  | 1-5           |
|          | 450-014-735 | Collector Hood: EG, P-EG-50, 55 ( 18" Left To Right Dimension )   | 1-5           |
|          | 450-014-736 | Collector Hood: EG-65 ( 22¼" Left To Right Dimension )  | 1-5           |
|          | 450-014-737 | Collector Hood: EG-75 ( 26½" Left To Right Dimension )  | 1-5           |
| H        | 451-800-000 | Front Base Panel: EG, P-EG-30, 35   | 1-5           |
|          | 451-800-001 | Front Base Panel: EG, P-EG-40, 45   | 1-5           |
|          | 451-800-002 | Front Base Panel: EG, P-EG-50, 55   | 1-5           |
|          | 451-800-003 | Front Base Panel: EG-65   | 1-5           |
|          | 451-800-004 | Front Base Panel: EG-75   | 1-5           |
| I        | 451-800-010 | Back Base Panel: EG, P-EG-30, 35  | 1-5           |
|          | 451-800-011 | Back Base Panel: EG, P-EG-40, 45  | 1-5           |
|          | 451-800-012 | Back Base Panel: EG, P-EG-50, 55  | 1-5           |
|          | 451-800-013 | Back Base Panel: EG-65  | 1-5           |
|          | 451-800-014 | Back Base Panel: EG-75  | 1-5           |

**EG - Series 1 Through 5**  
**Section / Base Assembly Parts Continued**

| Fig. No.       | Part No.    | Description   | Boiler Series |
|----------------|-------------|---|---------------|
| I <sub>2</sub> | 451-800-020 | Back Base Channel: EG, P-EG 30, 35  | 1-5           |
|                | 451-800-021 | Back Base Channel: EG, P-EG 40-45   | 1-5           |
|                | 451-800-022 | Back Base Channel: EG, P-EG 50, 55  | 1-5           |
|                | 451-800-023 | Back Base Channel: EG, P-EG-65  | 1-5           |
|                | 451-800-024 | Back Base Channel: EG, P-EG-75  | 1-5           |
| H <sub>1</sub> | 510-811-660 | Base Insulation Kit (Includes: Front And Rear Base Panel Insulation, 4oz- Water Glass and Boiler Cement-½ Pint)                                   | 1-5           |
| H <sub>2</sub> | 451-800-040 | Base Front Access Panel With Flame Rollout Switch Bracket: EG, P-EG-30, 35  | 1-5           |
|                | 451-800-041 | Base Front Access Panel With Flame Rollout Switch Bracket: EG, P-EG-40, 45  | 1-5           |
|                | 451-800-039 | Base Front Access Panel With Flame Rollout Switch Bracket: EG, P-EG-50  | 1-5           |
|                | 451-800-042 | Base Front Access Panel With Flame Rollout Switch Bracket: EG, P-EG-55  | 1-5           |
|                | 451-800-043 | Base Front Access Panel With Flame Rollout Switch Bracket: EG-65  | 1-5           |
|                | 451-800-044 | Base Front Access Panel With Flame Rollout Switch Bracket: EG-75  | 1-5           |
| H <sub>3</sub> | 451-800-085 | Back Burner Support: EG, P-EG-30  | 1-5           |
|                | 451-800-086 | Back Burner Support: EG, P-EG-35  | 1-5           |
|                | 451-800-087 | Back Burner Support: EG, P-EG-40  | 1-5           |
|                | 451-800-088 | Back Burner Support: EG, P-EG-45  | 1-5           |
|                | 451-800-089 | Back Burner Support: EG, P-EG-50  | 1-5           |
|                | 451-800-090 | Back Burner Support: EG, P-EG-55  | 1-5           |
|                | 451-800-092 | Back Burner Support: EG, P-EG-65  | 1-5           |
|                | 451-800-094 | Back Burner Support: EG, P-EG-75  | 1-5           |
| L <sub>1</sub> | 389-900-103 | Cover Plate For Heater Opening (Rectangular) Includes 8 Studs, Nuts and Gasket  | 1-5           |
| L <sub>2</sub> | 590-317-579 | Gasket For Cover Plate (Rectangular)  | 1-5           |
| L <sub>3</sub> | 389-900-101 | Cover Plate For Heater Opening (Round) Includes 6 Studs, Nuts and Gasket  | 1-5           |
| L <sub>4</sub> | 590-317-495 | Gasket For Cover Plate (Round)  | 1-5           |
| F              | 512-200-000 | Burner, Stainless Tube, Regular (See Note 2)  | 1-5           |
| F <sub>1</sub> | 512-200-001 | Burner, Stainless Tube With Pilot Bracket: PI System (All Sizes)  | 5             |
|                | 512-200-001 | Burner, Stainless Tube With Pilot Bracket: "PI" Systems (All Sizes); "SPL" Systems (All Sizes); "SPN" Systems (EG-75 Only) Stainless (See Note 2) | 1-4           |
|                | 512-200-002 | Burner, Steel Tube With Pilot Bracket: "SPN" Systems (EG, P-EG-30-65 Only) Stainless  | 1-4           |
| N/S            | 560-528-987 | Main Burner Orifice, Natural Gas, 2.45mm (See Note 1)   | 1-5           |
|                | 560-528-988 | Main Burner Orifice, Propane Gas, 1.55mm - <b>(NO L/P For Series 5)</b>   | 1-4           |
| J              | 451-800-070 | Base Side Rail (2 Required)   | 1-5           |
| N/S            | 560-340-577 | Tankless Heater Nut and Stud  | 1-5           |

GAS

EG - Series 1 Through 5  
Section / Base Assembly Parts Continued

| Fig. No. | Part No.    | Description                                       | Boiler Series |
|----------|-------------|---|---------------|
| G        | 591-125-555 | Manifold, EG, P-EG-30                             | 1-5           |
|          | 591-125-552 | Manifold, EG, P-EG-35                             | 1-5           |
|          | 591-125-554 | Manifold, EG, P-EG-40                             | 1-5           |
|          | 591-125-551 | Manifold, EG, P-EG-45                             | 1-5           |
|          | 591-125-553 | Manifold, EG, P-EG-50                             | 1-5           |
|          | 591-125-550 | Manifold, EG, P-EG-55                             | 1-5           |
|          | 591-125-549 | Manifold, EG-65                                   | 1-5           |
|          | 591-125-548 | Manifold, EG-75                                   | 1-5           |
| K        | 510-300-013 | Spill Switch With Manual Reset - 210° F, EG 30-65 | 1-5           |
| N/S      | 592-002-030 | Touch Up Paint - Blue / Gray - Low E 4.5oz Can    |               |

**Notes:**

**(1) Order sufficient quantities to replace all orifices within a base.**

**(2) Number of burners:**

**EG-30: 2 main burners and 1 burner with pilot bracket**

**EG-35: 3 main burners and 1 burner with pilot bracket**

**EG-40: 4 main burners and 1 burner with pilot bracket**

**EG-45: 5 main burners and 1 burner with pilot bracket**

**EG-50: 6 main burners and 1 burner with pilot bracket**

**EG-55: 7 main burners and 1 burner with pilot bracket**

**EG-65: 9 main burners and 1 burner with pilot bracket**

**EG-75: 11 main burners and 1 burner with pilot bracket**

## EG - Series 5 Control Parts

| Fig. No.  | Part No.              | Description  | EG Series 5 Boiler Size |    |    |    |    |    |    |    |
|---|-----------------------|--|-------------------------|----|----|----|----|----|----|----|
|   |                       |  | 30                      | 35 | 40 | 45 | 50 | 55 | 65 | 75 |
| <b>Control Components For Water Boiler, Natural Gas - No Tankless</b> |                       |  |                         |    |    |    |    |    |    |    |
| N/S   | 381-330-036           | LWCO Function Disable Kit - (Includes Temperature Sensor, Sensor Harness, Label, And Instructions) - <b>CP Range - CP7499291 - CP7499308</b> |                         |    |    |    |    |    |    |    |
| N/S   | 381-330-031           | Integrated Boiler Control - (Includes, Sensor Harness) - <b>Use On Boilers With A CP Range Less Than CP7499291</b>                           | X                       | X  | X  | X  | X  | X  | X  | X  |
|   | 381-330-024           | Integrated Boiler Control - <b>Use only If 381-330-035 Kit Was Already Installed, And CP Range Is Greater Than CP7499291</b>                 |                         |    |    |    |    |    |    |    |
| N/S   | 381-356-577           | Boiler Temperature Sensor, 1/2" N.P.T  | X                       | X  | X  | X  | X  | X  | X  | X  |
|   | 381-356-578           | Control Transformer, 24 VAC, 40 VA. Foot Mounted   | X                       | X  | X  | X  | X  | X  | X  | X  |
|   | 591-391-975           | Wire Harness, Power, J Box To Module   | X                       | X  | X  | X  | X  | X  | X  | X  |
|   | 381-356-528           | Circulator Harness With Molex  | X                       | X  | X  | X  | X  | X  | X  | X  |
|   | 591-392-006           | Thermostat Harness   | X                       | X  | X  | X  | X  | X  | X  | X  |
|   | 591-391-990           | Controls To Module Harness   | X                       | X  | X  | X  | X  | X  | X  | X  |
|   | 591-392-036           | Temperature Sensor Wire Harness  | X                       | X  | X  | X  | X  | X  | X  | X  |
|   | 381-356-586           | Outdoor Temperature Sensor Kit - (Includes Sensor, Wire Harness, And Instructions)   | X                       | X  | X  | X  | X  | X  | X  | X  |
| <b>Control Components For Steam Boiler - No Tankless</b>              |                       |  |                         |    |    |    |    |    |    |    |
| N/S   | 511-330-097           | Ignition Control Module Without Molex  | X                       | X  | X  | X  | X  | X  | X  | X  |
|   | 510-312-166           | Combination Transformer-Relay Receptacle, 120/24 VAC, 40 VA  | X                       | X  | X  | X  | X  | X  | X  | X  |
| <b>Common Components For Both Steam And Water</b>                     |                       |  |                         |    |    |    |    |    |    |    |
| N/S   | 511-044-381           | Natural Gas Valve , 1/2" X 1/2"  | X                       | X  | X  | X  | X  |    |    |    |
|   |                       |  | X                       | X  | X  | X  | X  |    |    |    |
|   | 511-044-382           | Natural Gas Valve, 3/4" X 3/4"   |                         |    |    |    |    | X  | X  | X  |
|   |                       |  |                         |    |    |    |    | X  | X  | X  |
|   | 511-330-218           | Pilot Assembly Kit-( Orifice, Spark and Sense Wire,and Pilot Tubing.)  | X                       | X  | X  | X  | X  | X  | X  | X  |
|   | 560-742-860           | Pilot Tubing With Fittings 1/8" X 22 3/4"  | X                       | X  | X  | X  | X  | X  | X  | X  |
|   | 510-512-337           | Vent Damper Motor With Molex   | X                       | X  | X  | X  | X  | X  | X  | X  |
|   |                       |  | X                       | X  | X  | X  | X  | X  | X  | X  |
| 591-391-795   | Damper Wiring Harness | X  | X                       | X  | X  | X  | X  | X  | X  |    |

**GAS**

## EG - Series 5 Control Parts Continued

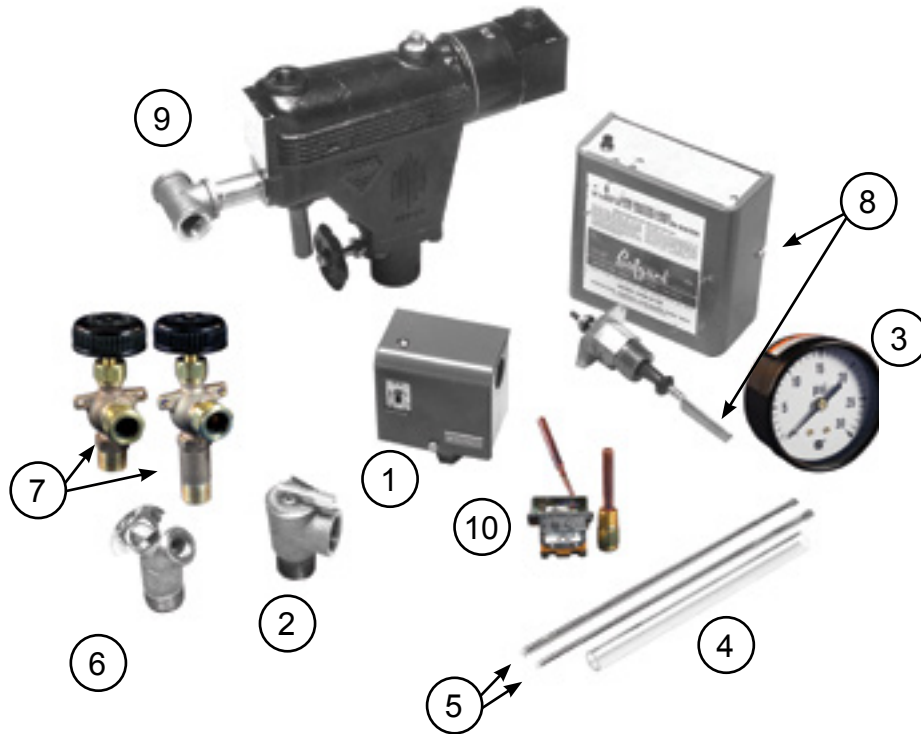
| Fig. No.                                     | Part No.                             | Description                          | EG Series 5 Boiler Size |    |    |    |    |    |    |    |  |
|--|--------------------------------------|--------------------------------------|-------------------------|----|----|----|----|----|----|----|--|
|  |                                      |                                      | 30                      | 35 | 40 | 45 | 50 | 55 | 65 | 75 |  |
| <b>Common Parts For Both Steam And Water</b> |                                      |                                      |                         |    |    |    |    |    |    |    |  |
| N/S  | 381-800-475                          | Vent Damper Assembly-5" With Harness | X                       | X  |    |    |    |    |    |    |  |
|  |                                      |                                      | X                       | X  |    |    |    |    |    |    |  |
|  | 381-800-476                          | Vent Damper Assembly-6" With Harness |                         |    | X  | X  |    |    |    |    |  |
|  |                                      |                                      |                         |    | X  | X  |    |    |    |    |  |
|  | 381-800-477                          | Vent Damper Assembly-7" With Harness |                         |    |    |    | X  | X  |    |    |  |
|  |                                      |                                      |                         |    |    |    | X  | X  |    |    |  |
| 381-800-478                                  | Vent Damper Assembly-8" With Harness |                                      |                         |    |    |    |    |    | X  | X  |  |
|  |                                      |                                      |                         |    |    |    |    |    | X  | X  |  |
| 512-050-230                                  | Rollout Thermal Fuse-228° C          | X                                    | X                       | X  | X  | X  | X  | X  | X  |    |  |

## EG - Series 1 Through 5 Water Trim / Control Parts

| Fig. No.  | Part No.    | Description  |
|---|-------------|--|
| <b>Control Parts For All EG Water Boilers With Tankless Heaters</b> |             |  |
| N/S   | 511-330-097 | Ignition Control Module Without Molex  |
|   | 510-312-249 | Combination High Limit / Low Limit / Circulator Control With Transformer (High Limit: SPST Automatic Recycle, 140-240°F Range, 10°F Subtractive Differential)<br>(Low Limit / Circulator Control: SPDT, Automatic Recycle, 100-200°F Range, 10-35°F Adjustable Differential) |
|   | 540-130-960 | Wire Harness   |
|   | 592-300-027 | Immersion Well, ¾" N.P.T X 6¼" In Length   |
|   | 510-312-166 | Combination Transformer-Relay Receptacle, 120/24 VAC, 40 VA  |
| <b>Tankless Heater Parts For EG Water Boilers</b>                   |             |  |
| N/S   | 590-921-904 | Tankless Heater For EG 35-45 Water Boiler (Includes: Heater, Gasket, Nuts and Studs) EG-30 Thru 45   |
|   | 590-921-905 | Tankless Heater For EG 50-55 Water boiler (Includes: Heater, Gasket, Nuts and Studs) EG-50 & 55  |
|   | 590-921-901 | Tankless Heater For EG 65-75 Water Boiler (Includes: Heater, Gasket, Nuts and Studs) EG- 65 & 75   |
|   | 560-340-577 | Stud ⅜-16 NC-2A X 1.12" Long With ⅜-16 NC Brass Nut (6 Required)   |
|   | 590-317-495 | Round Tankless Heater Gasket   |
| <b>Trim Parts For All EG Water Boilers</b>                          |             |  |
| N/S   | 383-600-091 | ASME Pressure Relief Valve (set to relieve at 30 PSIG, ¾" N.P.T., female inlet) All Size EG's  |
|   | 510-218-097 | Combination Pressure-Temperature Gauge (2½" Dial, 0-75 PSIG, Long Shank, ¼" N.P.T. Back Connection) All Size EG's  |
|   | 511-210-423 | Drain Valve, ¾" N.P.T., 1½" Shank  |
|   | 510-148-567 | Automatic Air Vent, Float Type, ⅛" N.P.T.  |

GAS

## EG - Series 1 Through 5 Steam Trim / Control Parts



| Fig. No.   | Part No.    | Description  |
|--|-------------|--|
| 1  | 510-312-135 | High Pressure Limit Control (SPST, Automatic Recycle, 0-15 PSIG Range, 1-5 PSIG Differential, ¼" N.P.T. Bottom Connection) |
| 2  | 383-600-106 | ASME Steam Relief Valve (Set To Relieve At 15 PSIG, ¾" N.P.T. Male Inlet) 375 lbs Per Hour Rating                          |
| 3  | 510-218-045 | Steam Pressure Gauge (0-3- PSIG, 2½" Dial, ¼" N.P.T. Male Inlet)   |
| 4  | 383-600-000 | Water Gauge Glass Kit (⅝" X 7⅞" With Gaskets and Brass Washers)  |
| 5  | 563-334-580 | Water Gauge Glass Guard (3/16" X 9⅞" (2 Required))   |
| 6  | 511-210-423 | Drain Valve, ¾" N.P.T., 1½" Shank  |
| N/S  | 590-921-903 | Tankless Heater Steam Boiler (Includes: Heater, Gasket, Nuts and Studs) For EG-35 Thru EG-75                               |
| <b>Water Gauge Glass Cocks For Electrode Type Low Water Cut-Off</b>  |             |  |
| 7  | 510-218-145 | Water Gauge Glass Cocks, ½" N.P.T. Male Inlet (Set of 2)   |
| <b>Water Gauge Glass Cocks For # 67 Float Type Low Water Cut-Off</b> |             |  |
| 7  | 510-218-135 | Water Gauge Glass Cocks, ½" N.P.T. Male Inlet (Set of 2)   |
| <b>Electrode Type Low Water Cut-Off Components</b>                   |             |  |
| 8  | 510-811-403 | Low Water Cut-Off, Electrode Type, SPDT, 24 Volt, ¾" Male N.P.T, With Instructions, Adapter, and Bushing                   |
| N/S  | 540-130-962 | Wire Harness, Probe LWCO Only  |
|  | 560-640-696 | 90° Syphon, ¼" N.P.T., Brass   |

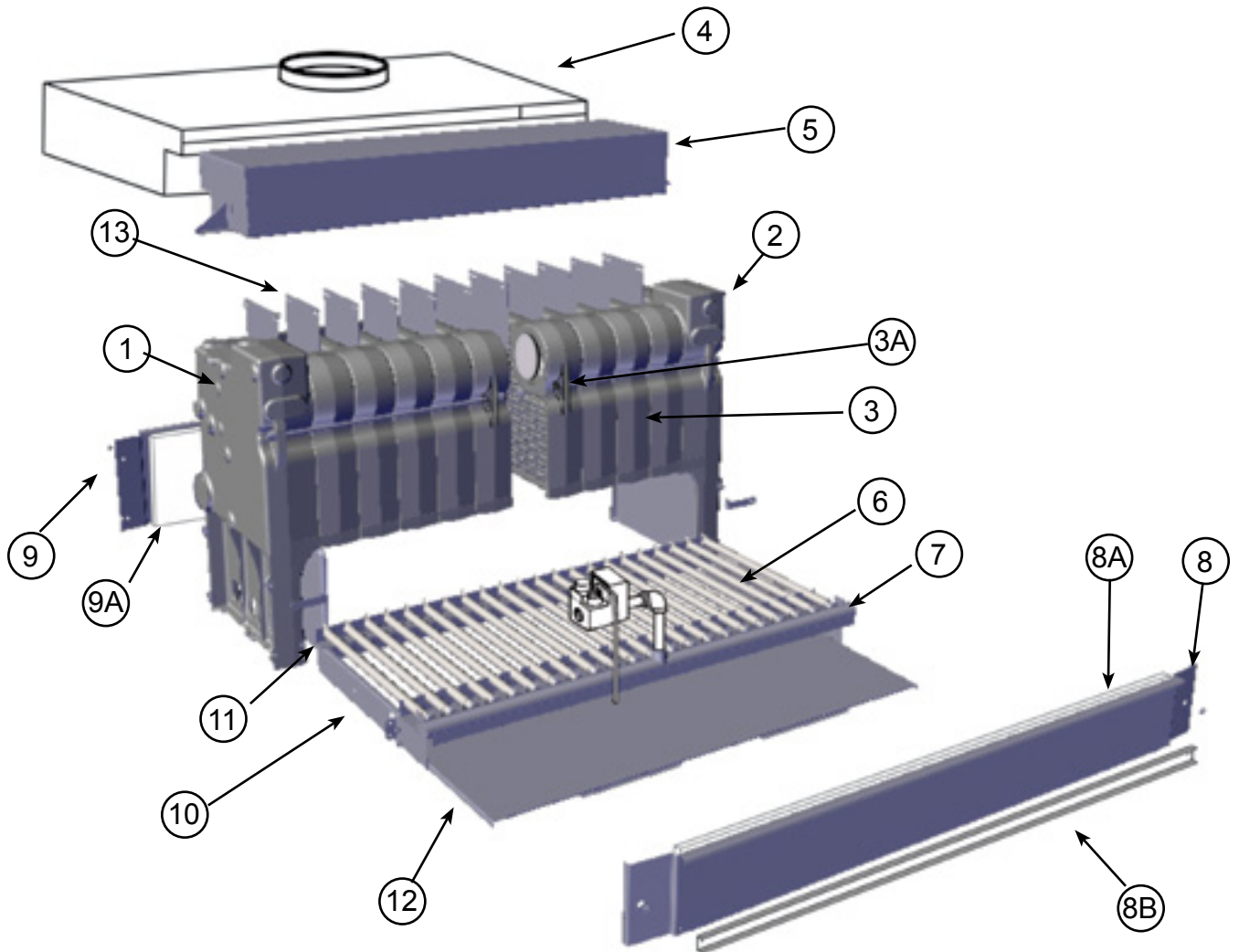
EG - Series 1 Through 5  
Steam Trim / Control Parts Continued

| Fig. No.  | Part No.    | Description   |
|---|-------------|---|
| <b>Float Type Low Water Cut-Off Components For EG Steam Boilers</b> |             |   |
| 9   | 511-114-494 | Float Type Low Water Cut-Off (SPDT, Automatic Recycle, 15 PSIG Rated, 24 or 120 Volt Contact Rating, ½" N.P.T. With Quick Hook-up Fittings) For EG Steam Except Millivolt |
| N/S   | 540-130-961 | Wire Harness, Float LWCO Only   |
| <b>Control Components For Steam Boiler With Tankless Heater</b>     |             |   |
| 10  | 510-312-250 | Operating Temperature Control (SPST, Automatic Recycle, 140-250°F Range, With ¾" N.P.T. Control Well, 10° Fixed Subtractive Differential)                                 |
| N/S   | 511-330-097 | Ignition Control Module Without Molex   |
|   | 510-312-166 | Combination Transformer-Relay Receptacle, 120/24 VAC, 40 VA   |

GAS



## EGH - Series 1 Through 5 Section / Base Assembly Parts



**GAS**

| Fig. No. | Part No.    | Description  | Boiler Series |
|----------|-------------|--|---------------|
| 1        | 311-800-014 | Left Hand End Section With Heater Opening 1814             | 1-5           |
| N/S      | 311-800-007 | Left Hand End Section Without Heater Opening 1813          | 1-5           |
| 2        | 311-800-022 | Right Hand End Section With Heater Opening 1819            | 1-5           |
| N/S      | 311-800-032 | Right Hand End Section Without Heater Opening 18118        | 1-5           |
| 3        | 311-800-010 | Intermediate Section 1815                                  | 1-5           |
| 3A       | 311-800-026 | Intermediate Section With Tie Rod Lugs 1817                | 1-5           |
| N/S      | 321-711-100 | Section Assembly, Complete: EGH-85 With Heater Opening     | 1-5           |
|          | 321-711-105 | Section Assembly, Complete: EGH-85 Without Heater Opening  | 1-5           |
|          | 321-711-110 | Section Assembly, Complete: EGH-95 With Heater Opening     | 1-5           |
|          | 321-711-115 | Section Assembly, Complete: EGH-95 Without Heater Opening  | 1-5           |
|          | 321-711-120 | Section Assembly, Complete: EGH-105 With Heater Opening    | 1-5           |
|          | 321-711-125 | Section Assembly, Complete: EGH-105 Without Heater Opening | 1-5           |

## EGH - Series 1 Through 5 Section / Base Assembly Parts Continued

|     |             |  |  |  |     |
|-----|-------------|--|--|--|-----|
| N/S | 321-711-130 | Section Assembly, Complete: EGH-115 With Heater Opening  |  |  | 1-5 |
|     | 321-711-135 | Section Assembly, Complete: EGH-115 Without Heater Opening   |  |  | 1-5 |
|     | 321-711-140 | Section Assembly, Complete: EGH-125 With Heater Opening  |  |  | 1-5 |
|     | 321-711-145 | Section Assembly, Complete: EGH-125 Without Heater Opening   |  |  | 1-5 |
|     | 381-800-667 | Section Replacement Kit (Includes: (1) 3" and 6" Elastomer Seal, 2 Pieces-¼" Rope Seal, 1-2.8 oz Tube Silicone) Order 1 Per Joint Between Sections |  |  | 1-5 |
|     | 592-800-010 | 3" Dia. Bottom Elastomer Seal (1 Per Joint)  |  |  | 1-5 |
|     | 592-800-007 | 6" Dia. Top Elastomer Seal (1 Per Joint)   |  |  | 1-5 |
|     | 560-234-465 | ½" x 7" Tie Rod Without Nut (2 Per Boiler)   |  |  | 1-5 |
|     | 560-234-472 | ½" x 17" Tie Rod Without Nut ((4) For EGH-85, (2) For EGH-95)  |  |  | 1-5 |
|     | 560-234-477 | ½" x 21¼" Tie Rod Without Nut ((2) For EGH-95, EGH-115; (4) For EGH-105)   |  |  | 1-5 |
|     | 560-234-482 | ½" x 25¼" Tie Rod Without Nut ((2) For EGH-115, (4) For EGH-125)   |  |  | 1-5 |
|     | 561-928-221 | ½" Nut (2 Per Tie Rod) - Purchase Locally  |  |  | 1-5 |
|     | 562-248-668 | ½" Lock Washer (1 Per Tie Rod)   |  |  | 1-5 |
|     | 591-602-913 | Retort Cement (1 Quart)  |  |  | 1-5 |
|     | 591-706-214 | Flue Brush, 124 DMG  |  |  | 1-5 |
| 4   | 450-206-240 | Draft Hood: EGH-85 --- 30.81"      Left To Right      9" Flue Opening  |  |  | 1-5 |
|     | 450-206-241 | Draft Hood: EGH-95 --- 35.06"             10"  |  |  | 1-5 |
|     | 450-206-242 | Draft Hood: EGH-105 --- 39.31"             10"   |  |  | 1-5 |
|     | 450-206-243 | Draft Hood: EGH-115 --- 43.56"             12"   |  |  | 1-5 |
|     | 450-206-244 | Draft Hood: EGH-125 --- 47.81"      ▼      12"      ▼  |  |  | 1-5 |
| 5   | 450-014-750 | Collector Hood: EGH-85 --- 30¾"      Left To Right   |  |  | 1-5 |
|     | 450-014-751 | Collector Hood: EGH-95 --- 35"   |  |  | 1-5 |
|     | 450-014-752 | Collector Hood: EGH-105 --- 39¼"   |  |  | 1-5 |
|     | 450-014-753 | Collector Hood: EGH-115 --- 43½"   |  |  | 1-5 |
|     | 450-014-754 | Collector Hood: EGH-125 --- 47¾"      ▼  |  |  | 1-5 |
| 6   | 512-200-000 | Burner, Stainless Tube, Regular (See Note 2) ---- 1" Diameter X 21¾" Long  |  |  | 1-5 |
| N/S | 512-200-001 | Burner, Stainless Tube With Pilot Bracket (See Note 2) --- 1" Diameter X 21¾" Long   |  |  | 1-5 |
| 7   | 591-125-543 | Manifold: EGH-85   |  |  | 1-5 |
|     | 591-125-544 | Manifold: EGH-95   |  |  | 1-5 |
|     | 591-125-545 | Manifold: EGH-105  |  |  | 1-5 |
|     | 591-125-546 | Manifold: EGH-115  |  |  | 1-5 |
|     | 591-125-547 | Manifold: EGH-125  |  |  | 1-5 |
| 8   |             | Front Base Panel: (In Base Panel Carton)      Must Know Boiler Series  |  |  |     |
| 8A  |             | Front Base Insulation (In Base Panel carton)   |  |  |     |
| 8B  |             | Base Front Access Panel: (In Base Panel Carton)  |  |  |     |
| 9   |             | Back Base Panel: (In Base Panel Carton)  |  |  |     |
| 9A  |             | Back Base Insulation (In Base Panel Carton)  |  |  |     |
| N/S |             | Back Base Channel: (In Base Panel Carton)      ▼      ▼  |  |  |     |
| 10  | 451-800-070 | Side Rail For Burner Pan With Bracket For Burner Pan (2 Required)  |  |  | 1-5 |

## EGH - Series 1 Through 5 Section / Base Assembly Parts Continued

|     |             |   |  |     |
|-----|-------------|---|--|-----|
| 11  | 451-800-095 | Back Burner Support: EGH-85   | 29 <sup>3</sup> / <sub>8</sub> " In Length | 1-5 |
|     | 451-800-096 | Back Burner Support: EGH-95   | 33 <sup>5</sup> / <sub>8</sub> "           | 1-5 |
|     | 451-800-097 | Back Burner Support: EGH-105  | 37 <sup>7</sup> / <sub>8</sub> "           | 1-5 |
|     | 451-800-098 | Back Burner Support: EGH-115  | 42 <sup>1</sup> / <sub>8</sub> "           | 1-5 |
|     | 451-800-099 | Back Burner Support: EGH-125  | 46 <sup>3</sup> / <sub>8</sub> " ▼         | 1-5 |
| N/S | 381-700-240 | Base Panel Carton – EGH-85 (Includes: Front Base Insulation, Front Base Panel, Base Front Access Panel, Back Base Insulation, Back Base Panel and Back Base Channel)  |  | 1-4 |
|     | 381-700-245 | Base Panel Carton – EGH-95 (Includes: Front Base Insulation, Front Base Panel, Base Front Access Panel, Back Base Insulation, Back Base Panel and Back Base Channel)  |  | 1-4 |
|     | 381-700-250 | Base Panel Carton – EGH-105 (Includes: Front Base Insulation, Front Base Panel, Base Front Access Panel, Back Base Insulation, Back Base Panel and Back Base Channel) |  | 1-4 |
|     | 381-700-255 | Base Panel Carton – EGH-115 (Includes: Front Base Insulation, Front Base Panel, Base Front Access Panel, Back Base Insulation, Back Base Panel and Back Base Channel) |  | 1-4 |
|     | 381-700-260 | Base Panel Carton – EGH-125 (Includes: Front Base Insulation, Front Base Panel, Base Front Access Panel, Back Base Insulation, Back Base Panel and Back Base Channel) |  | 1-4 |
|     | 389-900-103 | Rectangular Tankless Cover Plate Kit With 8 Studs and Nuts and Tankless Gasket  |  | 1-5 |
|     | 590-317-579 | Gasket For Cover Plate (Rectangular)  |  | 1-5 |
|     | 389-900-101 | Cover Plate For Heater Opening (Round) Includes 6 Studs, Nuts and Gasket  |  | 1-5 |
|     | 590-317-495 | Gasket for cover plate (round)  |  | 1-5 |
|     | 451-800-120 | Burner Shields (Rollout): EGH-85  | 29 <sup>3</sup> / <sub>8</sub> " In Length | 1-5 |
|     | 451-800-121 | Burner Shields (Rollout): EGH-95  | 33 <sup>5</sup> / <sub>8</sub> "           | 1-5 |
|     | 451-800-122 | Burner Shields (Rollout): EGH-105   | 37 <sup>7</sup> / <sub>8</sub> "           | 1-5 |
|     | 451-800-123 | Burner Shields (Rollout): EGH-115   | 42 <sup>1</sup> / <sub>8</sub> "           | 1-5 |
|     | 451-800-124 | Burner Shields (Rollout): EGH-125   | 46 <sup>3</sup> / <sub>8</sub> " ▼         | 1-5 |
|     | 560-528-987 | Main Burner Orifice, Natural Gas, 245mm (See note 1)  |  | 1-4 |
|     | 560-528-988 | Main Burner Orifice, Propane Gas, 155mm (See Note 1)  |  | 1-4 |
|     | 592-002-030 | Touch Up Paint - Blue / Gray - Low E 4.5 oz Can   |  |     |

**Notes:**

**(1) Order sufficient quantities to replace all orifices within a base.**

**(2) Number of burners:**

**EGH-85: 13 main burners and 1 burner with pilot bracket**

**EGH-95: 15 main burners and 1 burner with pilot bracket**

**EGH-105: 17 main burners and 1 burner with pilot bracket**

**EGH-115: 19 main burners and 1 burner with pilot bracket**

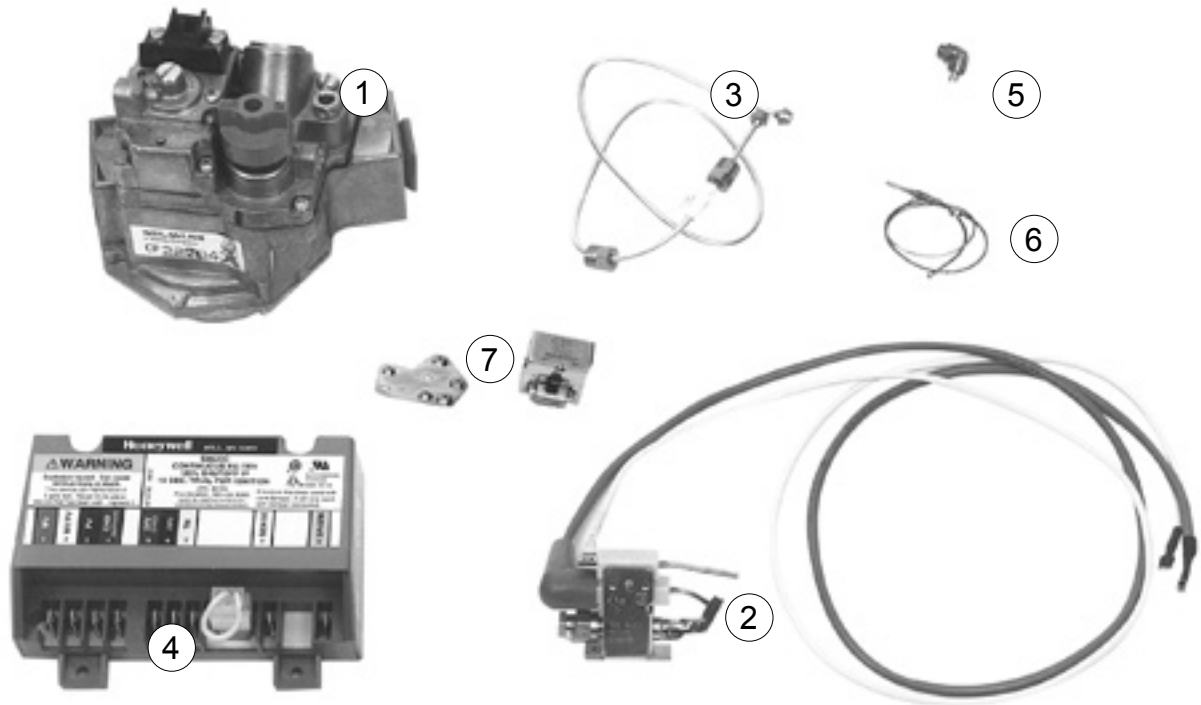
**EGH-125: 21 main burners and 1 burner with pilot bracket**

## EGH - Series 5 Only Section / Base Assembly Parts

|     |             |  |                                  |           |          |
|-----|-------------|--|----------------------------------|-----------|----------|
| N/S | 381-700-241 | Base Panel Carton – EGH-85 (Includes: Front Base Insulation, Front Base Panel, Base Front Access Panel, Back Base Insulation, Back Base Panel, Refractory Legs and 3oz. RTV Silicone Sealant)  |                                  | Series 5  |          |
|     | 381-700-246 | Base Panel Carton – EGH-95 (Includes: Front Base Insulation, Front Base Panel, Base Front Access Panel, Back Base Insulation, Back Base Panel, Refractory Legs and 3oz. RTV Silicone Sealant)  |                                  | Series 5  |          |
|     | 381-700-251 | Base Panel Carton – EGH-105 (Includes: Front Base Insulation, Front Base Panel, Base Front Access Panel, Back Base Insulation, Back Base Panel, Refractory Legs and 3oz. RTV Silicone Sealant) |                                  | Series 5  |          |
|     | 381-700-256 | Base Panel Carton – EGH-115 (Includes: Front Base Insulation, Front Base Panel, Base Front Access Panel, Back Base Insulation, Back Base Panel, Refractory Legs and 3oz. RTV Silicone Sealant) |                                  | Series 5  |          |
|     | 381-700-261 | Base Panel Carton – EGH-125 (Includes: Front Base Insulation, Front Base Panel, Base Front Access Panel, Back Base Insulation, Back Base Panel, Refractory Legs and 3oz. RTV Silicone Sealant) |                                  | Series 5  |          |
| 12  | 451-800-136 | Base Shield- EGH-85  | 28 <sup>3</sup> / <sub>4</sub> " | In Length | Series 5 |
|     | 451-800-137 | Base Shield- EGH-95  | 33 "                             |           | Series 5 |
|     | 451-800-138 | Base Shield- EGH-105   | 37 <sup>1</sup> / <sub>4</sub> " |           | Series 5 |
|     | 451-800-139 | Base Shield- EGH-115   | 41 <sup>1</sup> / <sub>2</sub> " |           | Series 5 |
|     | 451-800-140 | Base Shield- EGH-125   | 45 <sup>3</sup> / <sub>4</sub> " | ▼         | Series 5 |
| 13. | 460-003-790 | Flue Baffle---- One Per Joint  |                                  |           | Series 5 |
| N/S | 560-528-975 | Main Burner Orifice, Natural Gas, 2.30mm   | (See Note 1)                     |           | Series 5 |
|     | 560-528-972 | Main Burner Orifice, Propane Gas, 1.4mm  | (See Note 1)                     |           | Series 5 |
|     | 591-222-183 | Refractory Leg---Left and Right  |                                  |           | Series 5 |

GAS

## EGH - Series 5 Intermittent Ignition Parts



| Fig. No. | Part No.    | Description  | EGH Series 4 Boiler Size |    |     |     |     |
|----------|-------------|--|--------------------------|----|-----|-----|-----|
|          |             |  | 85                       | 95 | 105 | 115 | 125 |
| 1        | 511-044-286 | *Combination Gas Control Valve, ¾" x 1"N.P.T., 24 Volt   | X                        | X  |     |     |     |
|          | 511-044-287 | *Combination Gas Control Valve, 1" x 1"N.P.T., 24 Volt   |                          |    | X   | X   | X   |
| 2        | 511-330-242 | NG PIN Pilot Burner Assembly, With 34" Tubing, Pilot Burner, Orifice, Sensing Lead, Ignition Cable, and ¼" Adapter | X                        | X  | X   | X   | X   |
| 3        | 560-742-865 | Pilot Tubing Aluminum ½" OD x 34" Long ,With Compression Fittings  | X                        | X  | X   | X   | X   |
| 4        | 511-330-097 | Ignition Control Module Without Molex 24 Volt  | X                        | X  | X   | X   | X   |
| N/S      | 540-130-966 | Wiring Harness (In Envelope Assembly) For Water Boilers Without Tankless Heater Only                               | X                        | X  | X   | X   | X   |
|          | 540-130-969 | Wiring Harness (In Envelope Assembly) For Water Boilers With Tankless Heater Only                                  | X                        | X  | X   | X   | X   |
|          | 540-130-967 | Wiring Harness (In Envelope Assembly) For Steam Boilers With Float LWCO Only                                       | X                        | X  | X   | X   | X   |
|          | 540-130-968 | Wiring Harness (In Envelope Assembly) For Steam Boilers With Probe LWCO Only                                       | X                        | X  | X   | X   | X   |
|          | 510-811-411 | Natural To Propane Conversion Kit EGH 85-95 only   | X                        | X  |     |     |     |
|          | 510-811-412 | Natural To Propane Conversion Kit EGH 105-125 only   |                          |    | X   | X   | X   |

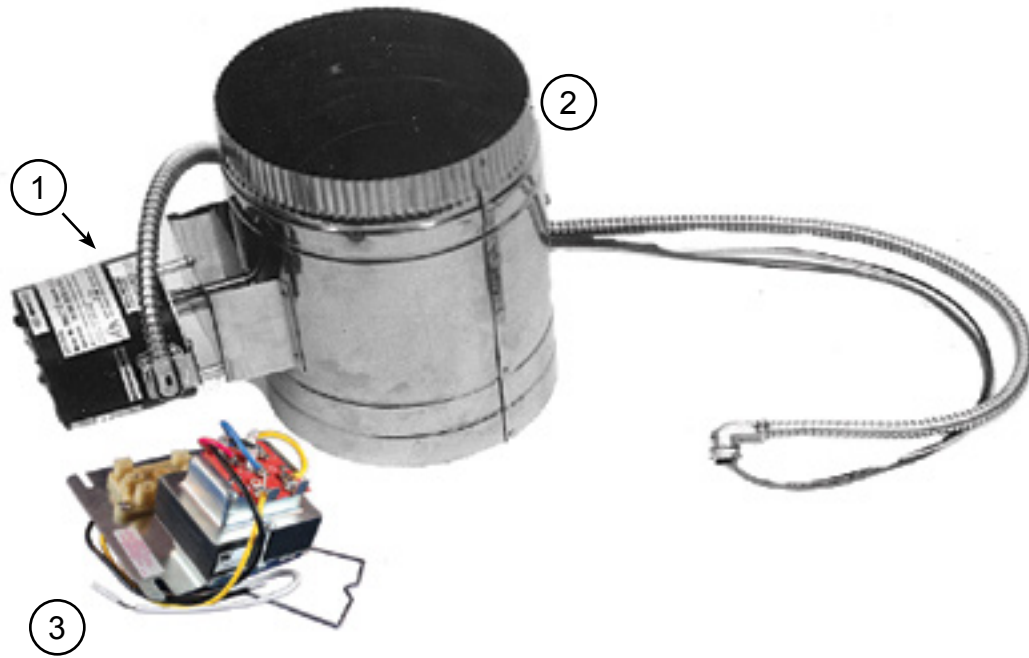
**\*Combination gas valve Includes: manual gas cock, redundant gas valves, main pressure regulator, pilot take-off with filter, pilot adjustment**

## EGH - Series 5 Intermittent Ignition LP Gas Parts

| Fig. No.  | Part No.     | Description   | EGH Series 4 Boiler Size |    |     |     |     |
|---|--------------|---|--------------------------|----|-----|-----|-----|
|   |              |   | 85                       | 95 | 105 | 115 | 125 |
| N/S   | 511-246-320  | ¾" Hand Valve With ⅛" Tapping                                 | X                        | X  |     |     |     |
|   | 511-.426-325 | 1" Hand Valve With ⅛" Tapping                                 |                          |    | X   | X   | X   |
| 1   | 511-044-278  | LP Gas Valve, ¾" x 1" Spark Pilot                             | X                        | X  |     |     |     |
|   | 511-044-279  | LP Gas Valve, 1" x 1" Spark Pilot                             |                          |    | X   | X   | X   |
| 3   | 560-742-865  | ⅛" x 34" Pilot Tubing For Spark Pilot Burner                  | X                        | X  | X   | X   | X   |
|   | 511-330-186  | LP Standing Pilot Burner (Includes: Orifice and Pilot Burner) | X                        | X  | X   | X   | X   |
| 3   | 560-528-957  | Propane Gas Pilot Orifice, .010 Dia. (For Q0327 Pilot, Above) | X                        | X  | X   | X   | X   |
| 5   | 511-246-340  | ⅛" x ¼" Manual Pilot Shut Off Valve                           | X                        | X  | X   | X   | X   |
| 6   | 511-724-254  | Thermocouple, Screw In, 30" In Length                         | X                        | X  | X   | X   | X   |
| 7   | 511-330-229  | Pilot Switch Box For Standing Pilot                           | X                        | X  | X   | X   | X   |
| <b>EGH CSD-1 Intermittent Ignition Natural Gas Only</b> |              |   |                          |    |     |     |     |
| N/S   | 511-330-086  | Control Module, 1 Retry With Alarm Contacts                   |                          |    | X   | X   | X   |
|   | 510-350-226  | Impulse Relay   |                          |    | X   | X   | X   |
|   | 511-624-580  | Push Button Switch  |                          |    | X   | X   | X   |
|   | 511-624-581  | Red Lens Cover  |                          |    | X   | X   | X   |
|   |              | Lamp, 24 Volt--Available Locally                              |                          |    | X   | X   | X   |
|   | 511-044-287  | Combination Gas Valve, 1" x 1", 24 Volt                       |                          |    | X   | X   | X   |
|   | 511-246-290  | Hand Valve, 1"  |                          |    | X   | X   | X   |
|   | 511-246-325  | Hand Valve, 1" With two ⅛" N.P.T Taps                         |                          |    | X   | X   | X   |
|   | 511-246-339  | Pilot Shut-off Valve, ⅛" N.P.T x ¼" Compression               |                          |    | X   | X   | X   |
|   | 510-933-195  | Pilot Regulator, ¼" N.P.T                                     |                          |    | X   | X   | X   |
|   | 511-044-039  | Pilot Solenoid Valve ¼" N.P.T                                 |                          |    | X   | X   | X   |
|   | 591-391-887  | Wiring Harness, Gravity Return Steam                          |                          |    | X   | X   | X   |
|   | 540-130-976  | Wiring Harness, Pumped Steam Return, With Wiring Diagram      |                          |    |     |     |     |

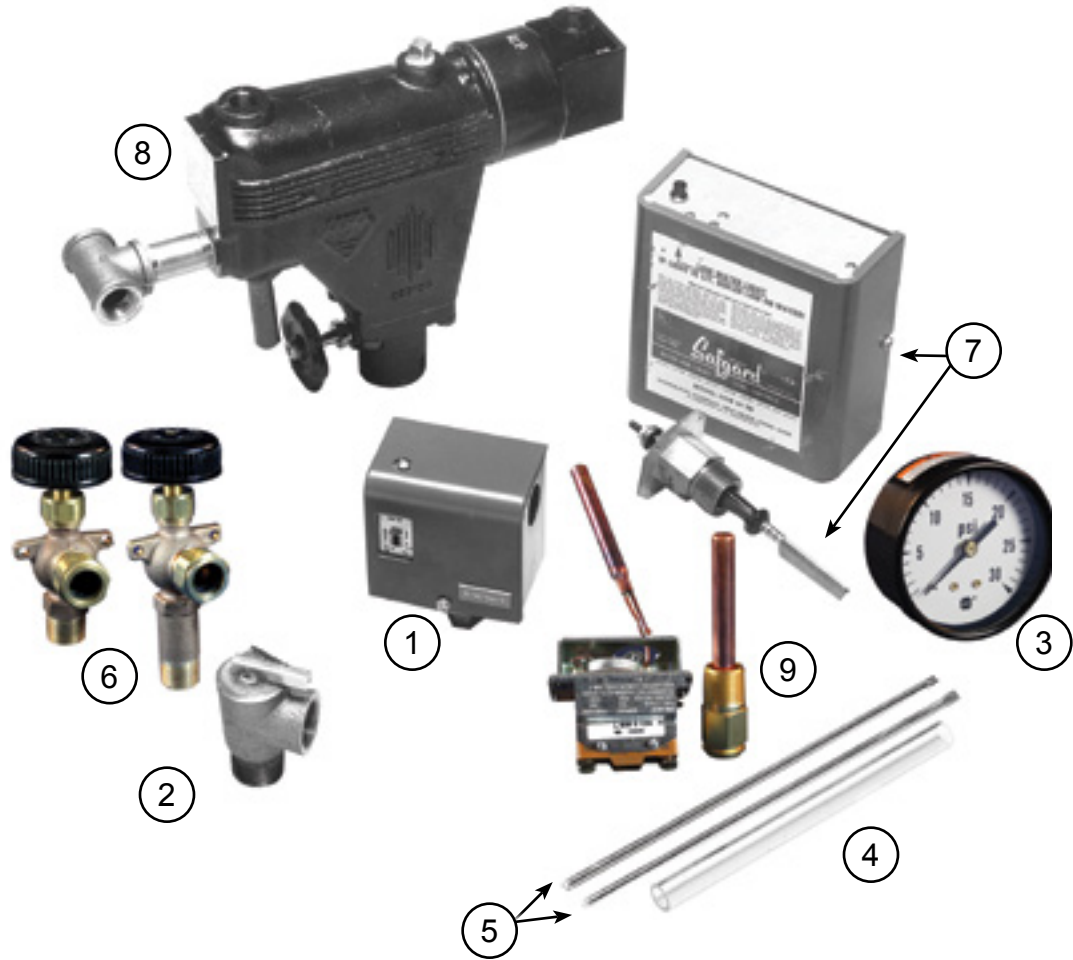
GAS

## EGH - Series 5 Common Component Parts



| Fig. No. | Part No.    | Description   | EGH Series 4 Boiler Size |    |     |     |     |
|----------|-------------|---|--------------------------|----|-----|-----|-----|
|          |             |   | 85                       | 95 | 105 | 115 | 125 |
| N/S      | 591-391-795 | Damper Wiring Harness With Molex                        | X                        | X  | X   |     |     |
| 1        | 510-512-337 | Vent Damper Motor With Molex                            | X                        | X  | X   | X   | X   |
|          |             |   | X                        | X  | X   | X   | X   |
| 2        | 381-800-445 | Vent Damper Assembly, 9"                                | X                        |    |     |     |     |
|          |             |   | X                        |    |     |     |     |
|          | 381-800-446 | Vent Damper Assembly, 10"                               |                          | X  | X   |     |     |
|          |             |   |                          | X  | X   |     |     |
|          | 381-800-447 | Vent Damper Assembly, 12"                               |                          |    |     | X   | X   |
|          |             |   |                          |    |     | X   | X   |
| 3        | 510-312-166 | Combination Transformer Relay Receptacle, 120/24V, 40VA | X                        | X  | X   | X   | X   |
|          |             |   | X                        | X  | X   | X   | X   |

# EGH - Series 5 Steam Trim



GAS



## EGH - Series 5 Steam Trim Parts

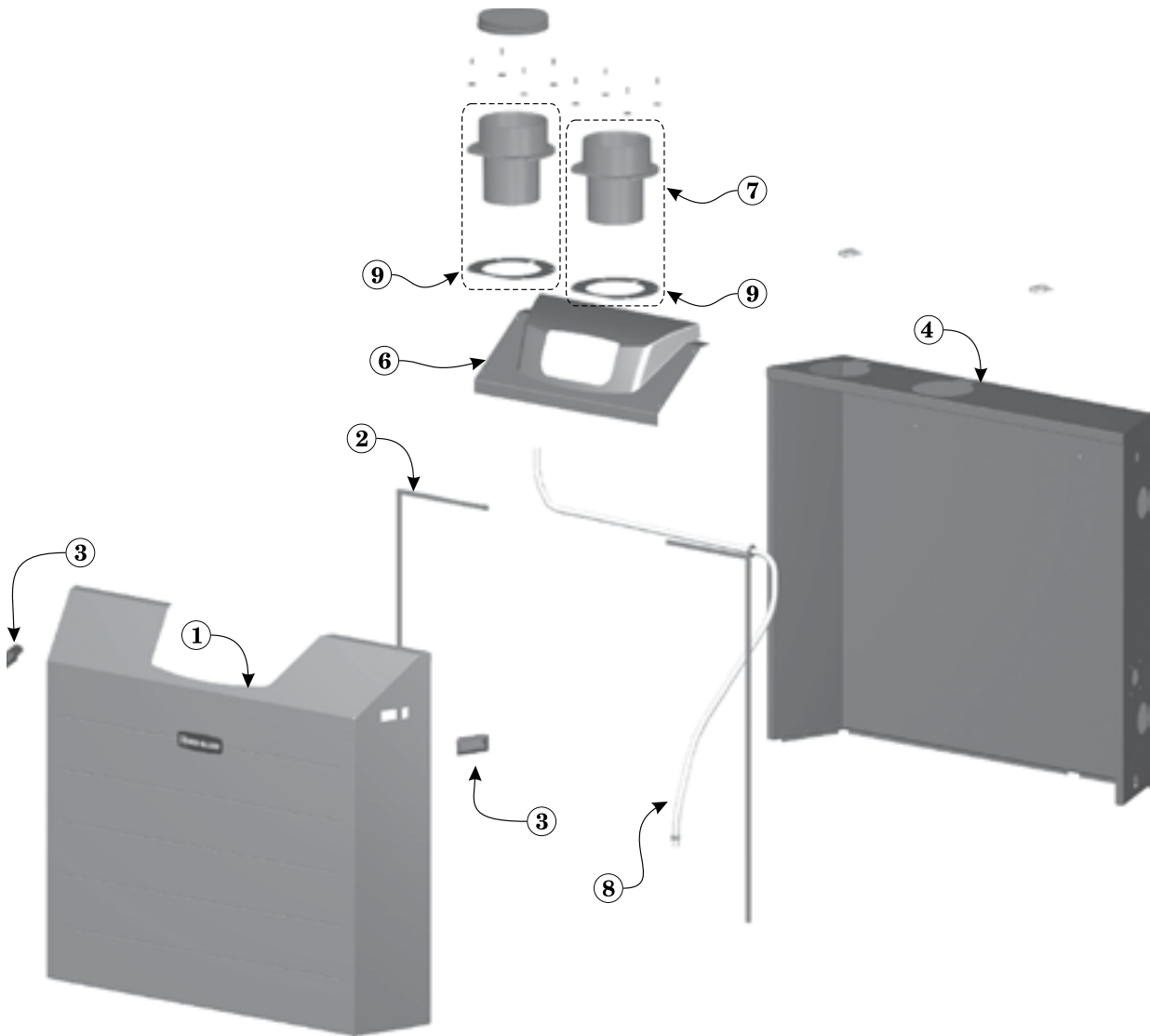
| Fig. No.   | Part No.    | Description   | EGH Series 4 Boiler Size |    |     |     |     |
|--|-------------|---|--------------------------|----|-----|-----|-----|
|  |             |   | 85                       | 95 | 105 | 115 | 125 |
| <b>Trim For All EGH Steam Boilers</b>                                      |             |   |                          |    |     |     |     |
| 1*   | 510-312-135 | High Pressure Limit Control, SPST, Auto Recycle, 0-15 PSIG Range, 1-5 PSIG Additive Differential, ¼" N.P.T. Bottom Connection | X                        | X  | X   | X   | X   |
| 2  | 383-600-105 | Steam Relief Valve, 15 PSIG, With ¼" N.P.T. Male Inlet 450 LBH  | X                        | X  | X   | X   | X   |
| 3  | 510-218-045 | Pressure Gauge 0-30 PSIG, 2½" Dial, ¼" N.P.T. Bottom Mount  | X                        | X  | X   | X   | X   |
| 4  | 383-600-000 | Water Gauge Glass Kit, ⅝" x 7⅜" With Gaskets and Brass Washers  | X                        | X  | X   | X   | X   |
| 5  | 563-334-580 | Water Gauge Glass Guard, ⅝" x 9⅜"<br>(2 Required)   | X                        | X  | X   | X   | X   |
| N/S  | 511-210-423 | Drain Valve, ¾" N.P.T. 1½" Shank  | X                        | X  | X   | X   | X   |
| <b>Probe Type Low Water Cut-off Components For EGH Steam Boilers</b>       |             |   |                          |    |     |     |     |
| 6  | 510-218-145 | Water Gauge Glass Cocks, Set, ½" N.P.T., Male Inlet, Long Stem  | X                        | X  | X   | X   | X   |
| 7*   | 511-114-515 | Low Water Cut-off, SPDT, ¾" Male Electrode Type, 24 Volt  | X                        | X  | X   | X   | X   |
| <b>Float Type Low Water Cut-off Components For EGH Steam Boilers</b>       |             |   |                          |    |     |     |     |
| 6  | 510-218-135 | Water Gauge Glass Cocks, Set, ½" N.P.T., Female Inlet, Standard Stem  | X                        | X  | X   | X   | X   |
| 8  | 511-114-494 | Low Water Cut-off, SPDT, ½" N.P.T. Float Type, 24 Volt  | X                        | X  | X   | X   | X   |
| <b>Tankless Heater Operating Temperature Control For EGH Steam Boilers</b> |             |   |                          |    |     |     |     |
| 9  | 510-312-250 | Operating Temperature Control, SPST, Auto Recycle, 140-240°F Subtractive differential With ¾" N.P.T. Well                     | X                        | X  | X   | X   | X   |
| N/S  | 590-921-903 | Tankless Heater – Steam Boiler (Includes: Heater, Gasket, Nuts And Studs)   | X                        | X  | X   | X   | X   |
| N/S  | 590-317-579 | Gasket For Tankless Heater Opening  |                          |    |     |     |     |

\*Alternate components

\* Two high limits used with EGH-85 and EGH-95 standing pilot steam boilers

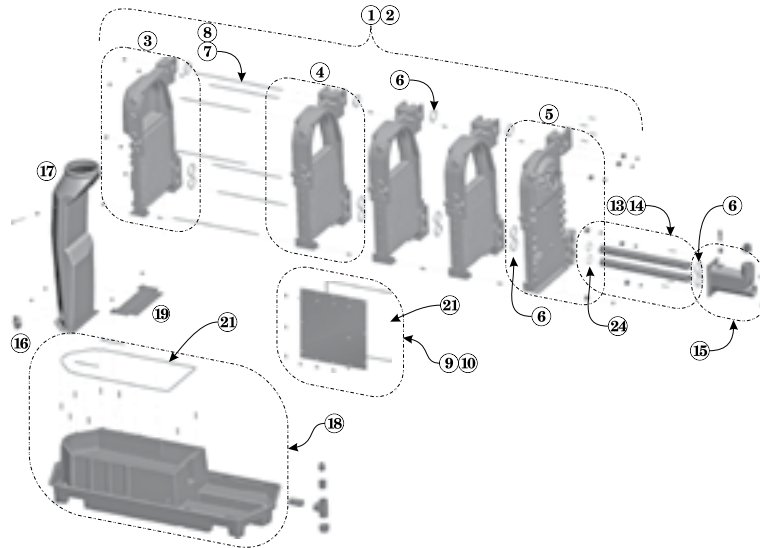
GAS

## SlimFit Series 1, 2 & 3 Jacket Parts



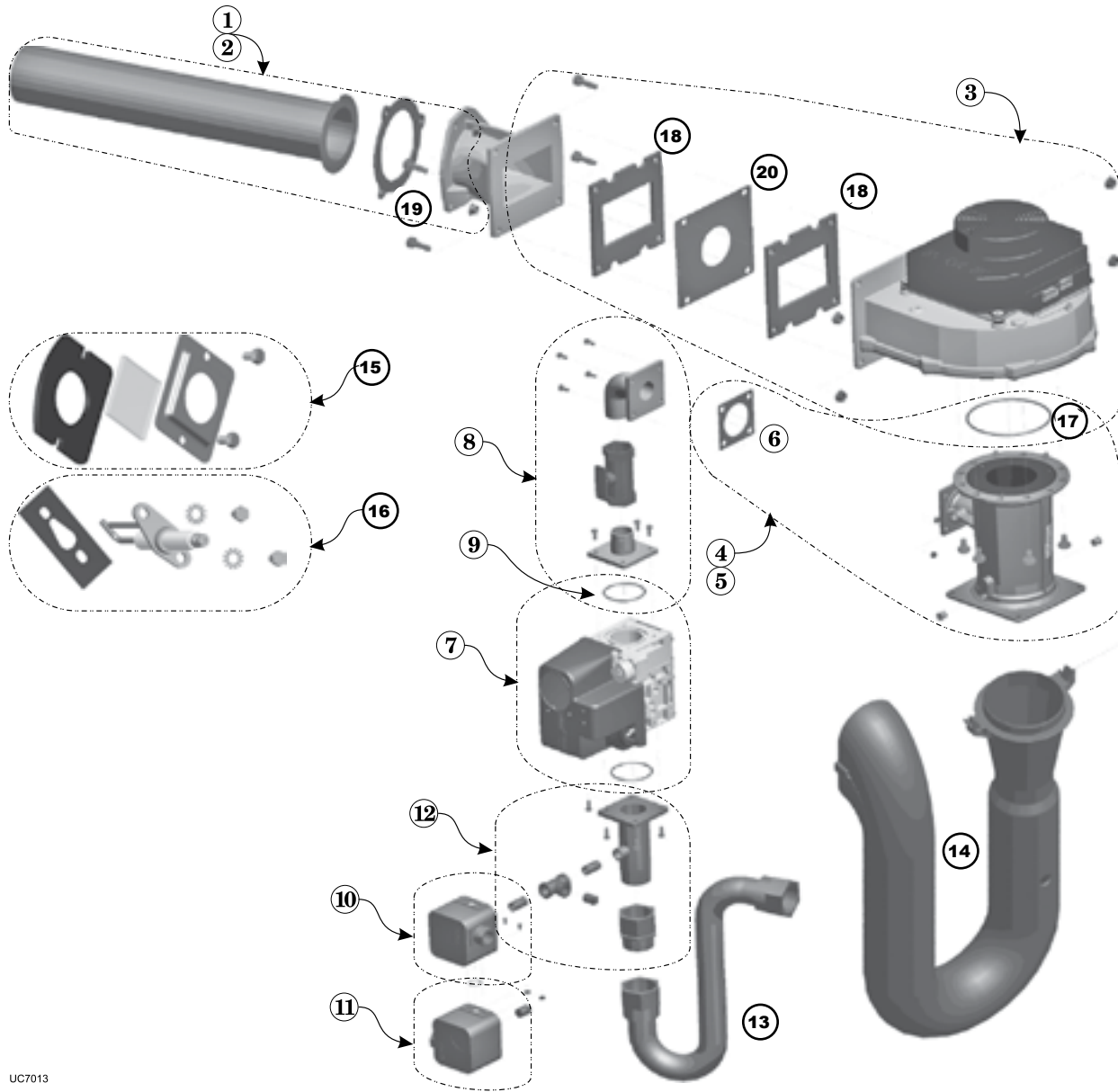
| Fig. No | Part No.    | Description  |
|---------|-------------|--|
| 1       | 383-600-052 | Jacket Front Door  |
| 2       | 383-600-022 | Door Seal  |
| 3       | 383-500-611 | Handle (2 Required)  |
| 4       | 383-600-050 | Black Jacket-(Includes Jacket, Grommets, Gasket, and Hardware)   |
| N/S     | 383-600-053 | Jacket Seal Kit (Includes: Base Seal, Door Seal, Grommets and Gaskets)   |
| 5       | 383-600-054 | Plastic Top Cover (Includes: Cover, Gasket and Hardware)   |
| 7       | 593-000-055 | Flue Outlet Adapter Extended Top   |
|         | 593-000-052 | Air Inlet Adapter  |
| 8       | 383-600-023 | Flue Pipe Drain Hose Kit (Includes: Hose From Flue Adapter To Heat Exchanger Condensate Outlet and Hose Clamp) |
| 9       | 590-300-016 | Flue Pipe Adapter Gasket   |
|         | 383-600-083 | Vent Adapter Kit (Fas-N-Seal, 6" Only, S.S.)   |
| N/S     | 592-002-033 | Touch Up Paint - Black - Low E 4.5oz Can   |
|         | 592-200-032 | Touch Up Paint - Putty - Low E 4.5oz Can   |

## SlimFit Series 1, 2 & 3 - Heat Exchanger Parts



| Fig. No | Part No.    | Description  | Boiler Models |
|---------|-------------|--|---------------|
| 1       | 383-600-029 | 5 Section Heat Exchanger Assembly - (Complete)   | 550           |
| 2       | 383-600-028 | 6 Section Heat Exchanger Assembly - (Complete)   | 750           |
| 3       | 383-600-036 | Left End Section Replacement Kit (Includes: Section, O-Rings, Sealing Cord & Hardware)   | 550/750       |
| 4       | 383-600-037 | Intermediate Section Replacement Kit (Includes: Section, O-Rings, Sealing Cord & Hardware)   | 550/750       |
| 5       | 383-600-038 | Right End Section Replacement Kit (Includes: Section, O-Rings, Sealing Cord & Hardware)  | 550/750       |
| 6       | 590-318-039 | Section/Manifold O-ring, 60-mm (Single O-ring Only)  | 550/750       |
| 7       | 560-134-510 | 5 Section Draw Rod Kit (Includes Draw Rods, Nuts, and Washers)   | 550           |
| 8       | 560-134-511 | 6 Section Draw Rod Kit (Includes Draw Rods, Nuts, and Washers)   | 750           |
| 9       | 383-600-040 | 5 Section HX Cover Plate Kit (Includes: Plate, Nuts, Cord & Silicone RTV Sealant)  | 550           |
| 10      | 383-600-041 | 6 Section HX Cover Plate Kit (Includes: Plate, Nuts, Cord & Silicone RTV Sealant)  | 750           |
| N/S     | 383-600-033 | 5 Section Supply Distribution Tube Kit (Distribution Tube, O-Ring and Nuts)  | 550           |
|         | 383-600-032 | 6 Section Supply Distribution Tube Kit (Distribution Tube, O-Ring and Nuts)  | 750           |
| 11      | 383-600-031 | 5 Section Return Distribution Tube Kit (Distribution Tube, O-Rings and Nuts)   | 550           |
| 12      | 383-600-030 | 6 Section Return Distribution Tube Kit (Distribution Tube, O-Rings and Nuts)   | 750           |
| 13      | 383-600-034 | Return Manifold Casting Kit (Includes: Manifold, O-ring and Nuts)  | 550/750       |
| 14      | 561-444-101 | Inspection Plug  | 550/750       |
| 15      | 383-600-025 | Aluminum Flue Pipe Kit (Includes Flue Pipe, Inspection Plug, Cord, RTV Silicone, & Nuts)   | 550/750       |
| 16      | 383-600-026 | Plastic Base Assembly Kit (Includes: Base, Cord, Silicone RTV Sealant, hardware)   | 550/750       |
| 17      | 383-600-027 | Base Cover Plate (5-Section Only)  | 550/750       |
| N/S     | 383-600-021 | Base Seal Kit (Base Sealing Gasket Cord)   | 550/750       |
| 18      | 383-600-020 | Red Silicone Cord Kit (Used For Cover Plate and Base)  | 550/750       |
| N/S     | 513-000-001 | Tube of Silicone RTV, High Temperature, Red  | 550/750       |
|         | 513-000-000 | Tube of Silicone RTV, High Adhesive, Black   | 550/750       |
| 19      | 590-318-040 | Return Distribution Tube O-ring, 45 mm   | 550/750       |
| N/S     | 383-600-039 | Heat Exchanger O-ring Replacement Kit (Not shown) (Includes: (18) 60-mm O-Rings (Item 6); (2) 45-mm O-Rings (Item 24); Sealing Cord; and Silicone RTV Sealant) | 550/750       |
|         | 383-600-081 | Condensate Trap Kit (Includes Trap, and PVC Fittings)  |               |
|         | 560-340-572 | Cover Plate Stud, M8 - 1.25 x 36mm   |               |
|         | 561-928-451 | Cover Plate Nuts, M8 - 1.25 - Purchase Locally   |               |
|         | 560-340-582 | Burner, Supply & Return Manifold Stud, M8 - 1.25 x 40mm  |               |
|         | 561-928-260 | Burner, Supply & Return Manifold Nut, Flanged, Serrated, M8 - 1.25   |               |

# SlimFit Series 1, 2 & 3 Burner / Blower / Venturi / Gas Train



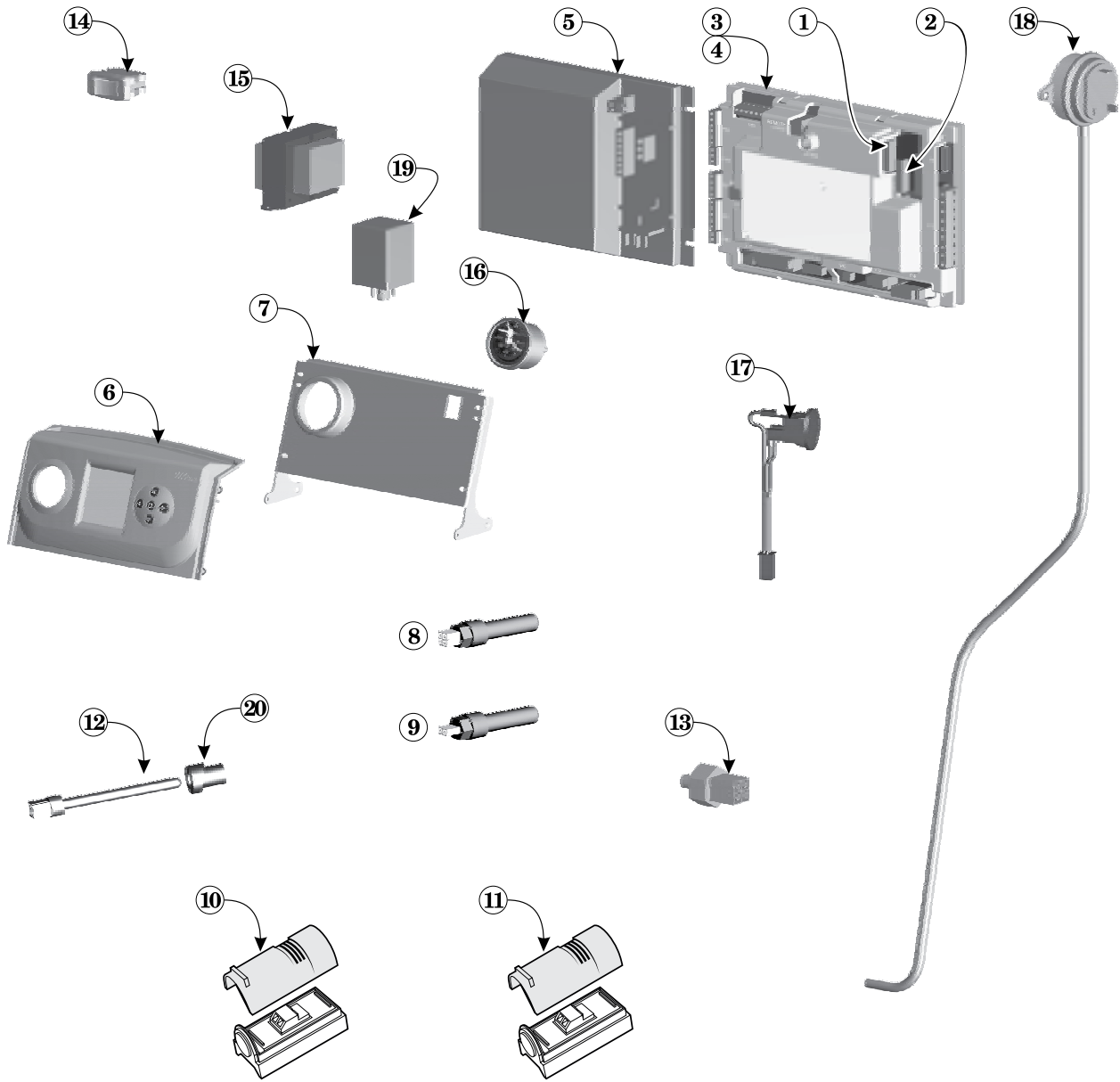
GAS

UC7013

## SlimFit Series 1, 2 & 3 Burner / Blower / Venturi / Gas Train Parts

| Fig. No | Part No.    | Description  |
|---------|-------------|--|
| 1       | 383-600-044 | 5 Section Burner Replacement Kit (Includes: Burner, Gasket and Nuts)                       |
| 2       | 383-600-043 | 6 Section Burner Replacement Kit (Includes: Burner, Gasket and Nuts)                       |
| 3       | 383-600-045 | Blower Assembly Kit (Includes: Blower, Gasket, O-ring and Hardware)                        |
| 4       | 383-600-067 | 5 Section Venturi Replacement Kit (Includes: Venturi, O-ring and Gasket)                   |
| 5       | 383-600-068 | 6 Section Venturi Replacement Kit (Includes: Venturi, O-ring and Gasket)                   |
| 6       | 590-300-022 | Venturi To Gas Pipe Gasket   |
| 7       | 383-600-066 | Gas Valve Replacement Kit (Includes: Gas Valve Only)                                       |
| 8       | 383-600-046 | Gas Valve To Venturi Piping Kit (Includes: Piping, Gasket, O-ring and Hardware)            |
| 9       | 590-318-042 | O-ring, Gas Valve To Adapter Pipe  |
| 10      | 383-600-048 | High Gas Pressure Switch Replacement Kit (Includes: Switch and ¼" Nipple)                  |
| 11      | 383-600-049 | Low Gas Pressure Switch Replacement Kit (Includes: Switch and ¼" Plug)                     |
| 12      | 383-600-047 | Gas Pressure Switch Piping   |
| 13      | 560-900-021 | Flexible Gas Line -- 1¼" N.P.T. X 26" Length   |
| 14      | 383-600-112 | Air Silencer - (Includes - U Type Clip With Barb, Air Silencer, and Instructions)          |
| 15      | 383-500-020 | Inspection Glass Kit (Includes: Retainer, Glass, Gasket and Screws)                        |
| N/S     | 383-500-619 | Ignition Cable Kit   |
| 16      | 383-600-070 | Ignition Electrode Kit (Includes: Ignitor, Gasket and hardware)                            |
| 17      | 590-318-041 | Venturi-To-Blower O-ring (Included In Item 4 and Item 5)                                   |
| 18      | 590-300-018 | Blower Outlet Gasket (Included In Item 3)  |
| 19      | 590-300-011 | Burner Gasket (Included In Item 1 and Item 2)  |
| 20      | 383-600-078 | Blower Orifice Plate For Ultra-550 (Used For Both Natural Gas and Propane With Gasket)     |
|         |             | Blower Orifice Plate For Ultra-750 (Used only On Ultra-750 Propane) In Conversion Kit Only |

# SlimFit Series 1, 2 & 3 Controls



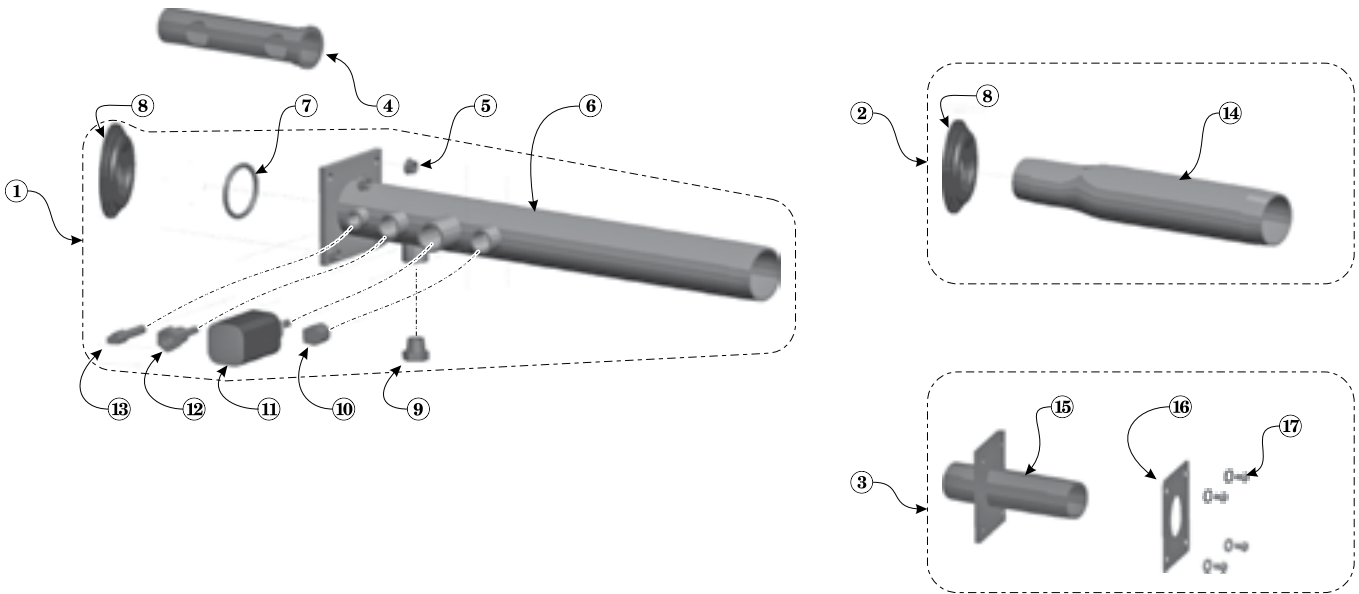
GAS

## SlimFit Series 1, 2 & 3 Control Parts

| Fig. No   | Part No.    | Description  |
|---|-------------|--|
| 1   | 383-500-603 | 3-Amp, Fast-Blow ATO (5 Fuses)   |
| 2   | 383-500-604 | 12-Amp, Fast-Blow AG (5 Fuses)   |
| 3   | 383-600-062 | CSD-1 U-Control Module (Includes Replacement Instructions) - <b>Series 1</b>   |
| 4   | 383-500-658 | Non-CSD-1 U-Control Module (Includes Replacement Instructions) - <b>Series 1</b>   |
| 5   | 383-600-060 | Expansion Module - <b>Series 1</b>   |
| 6   | 383-500-659 | Display Board Assembly - <b>Series 1</b>   |
| 7   | 383-600-042 | Display Bracket Kit  |
| 8   | 383-600-072 | Supply Temperature Sensor Replacement Kit, Dual Sensor (Sensor Only) -12Kohm, ¼" N.P.T   |
| 9   | 383-600-071 | Return Temperature Sensor Replacement Kit, Single Sensor and Bushing -12Kohm, ¼" N.P.T   |
| 10  | 383-500-125 | Outdoor Temperature Sensor--12Kohm   |
| 11  | 383-500-601 | System Temperature Sensors -- 12Kohm   |
| 12  | 383-500-600 | Flue Temperature Sensor Replacement Kit (Sensor and Grommet) -- 12Kohm)  |
| 13  | 383-500-602 | Heat Exchanger Temperature Sensor --12Kohm   |
| 14  | 383-500-205 | On/Off Power Switch -- 16A@125 Volt  |
| 15  | 383-500-628 | Transformer, 120V/24V, 50VA  |
| 16  | 570-218-054 | Pressure/Temperature Gauge Assembly - 120 PSI  |
| 17  | 591-391-959 | 120 Volt, 3-Wire Receptacle, Pre-Wired   |
| 18  | 383-600-073 | Air Pressure Switch Kit (Includes Switch, Tube and Mounting Screws) 3.25" W.C.   |
| N/S   | 562-302-525 | Hose Barb For Air Pressure Switch Sensing Tube Connection -- ⅛" RP   |
| 19  | 570-350-230 | Blower Power Relay -- DPDT,10A-120 Volt  |
| N/S   | 383-500-642 | Ultra U-Control Terminal Block Kit -- Includes Screwdriver   |
|   | 383-500-633 | Expansion Module To U-Control Wire Harness, RS485 - Connects To EP5 To Display   |
|   | 591-391-961 | Expansion Module To Display Harness - Connects From EP6 To P9  |
|   | 383-600-057 | Upper Line Voltage Wire Harness (EP2, EP4, Power Input and Blower Relay)   |
|   | 591-391-958 | Lower Line Voltage Wire Harness - Connects Blower, Gas Valve And Gas Pressure Switches   |
|   | 383-600-058 | Upper Low Voltage Wire Harness - <b>Series 1</b> - Connects To P12, P8, P7, And P5   |
|   | 383-600-059 | Gas Pressure Switch Harness - Connects From Gas Pressure Switches To Harness   |
|   | 591-391-956 | Lower Low Voltage Wire Harness (P4 Through P9 and Others)  |
|   | 591-391-960 | Gas Valve Harness - Connects From Gas Valve To Harness   |
|   | 383-500-641 | Jumper For Low Voltage Terminal Blocks ( 5 Jumpers)  |
| 20  | 590-318-011 | Flue Temperature Sensor Gasket   |
| <b>Conversion - Slimfit Series 1 To Slimfit Series 2 Only - 550/750</b> |             |  |
| N/S   | 383-600-164 | Complete Conversion Kit From Series-1 To Series-2 -(Includes Evergreen Control Module, Expansion Board, Display, Harnesses, Manuals, and Instructions. |
| <b>Individual Series 2 Conversion Kit Parts - 550/750</b>               |             |  |
| N/S   | 383-600-162 | Evergreen Control Module Kit - (Includes Evergreen Control Module and Instructions)  |
|   | 383-600-160 | Expansion Board Kit - (Includes Expansion Control Module and Instructions)   |
|   | 383-600-159 | Display Panel Kit - (Includes Display and Instructions)  |
|   | 591-391-936 | Wiring Harness - Control To Display  |

GAS

## SlimFit Series 1, 2 & 3 Piping Parts



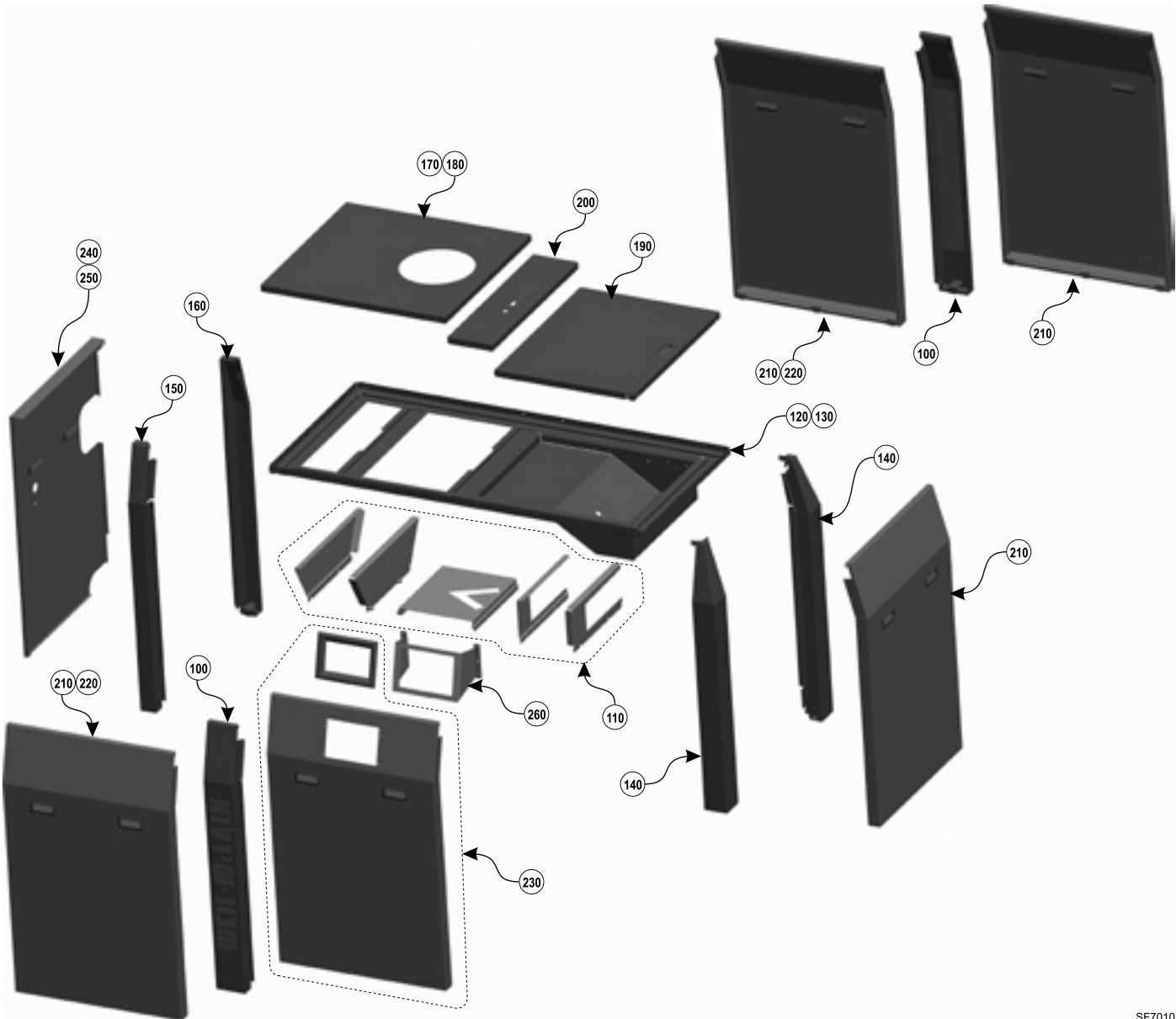
| Fig. No | Part No.    | Description  | Boiler Models |
|---------|-------------|--|---------------|
| 1       | 383-600-055 | Supply Manifold Kit (Includes Items 5 through 8 and 9 through 13)            | 550/750       |
| 2       | 383-600-035 | Return Pipe Kit (Includes Items 8 and 14)                                    | 550/750       |
| 3       | 383-600-056 | Inlet Gas Pipe Kit (Includes Items (15, 16, and 17)                          | 550/750       |
| 4       | 383-600-032 | Supply Distribution Pipe (See Heat Exchanger Diagram)                        | 550/750       |
| 5       | In Item 1   | Serrated-Flange Nut, M8-1.25 (Four Required)                                 | 550/750       |
| 6       | In Item 1   | Supply Distribution Manifold, 2" N.P.T                                       | 550/750       |
| 7       | 590-318-039 | Section/Manifold O-ring, 60 Mm (Included In Item 1)                          | 550/750       |
| 8       | 562-248-747 | Supply/Return Pipe Grommet, 2" N.P.T X 3½" Diameter (Included In Item 1 & 2) | 550/750       |
| 9       | 383-500-275 | P/T Gauge Pressure Sensor Line Check Valve                                   | 550/750       |
| 10      | In Item 1   | Plug, ½" NPT   | 550/750       |
| 11      | 383-600-069 | Low Water Cut-Off - (Hydrolevel 45-1105, Or Taco LTR0243L)                   | 550/750       |
| 12      | 383-500-270 | P/T Gauge Temperature Sensor Well  | 550/750       |
| 13      | 383-600-072 | Supply Temperature Sensor  |               |
| N/S     | 383-600-071 | Return Temperature Sensor  |               |
| 14      | In Item 2   | Return Pipe, 2" N.P.T  | 550/750       |
| 15      | In Item 3   | Inlet Gas Pipe With Flange   | 550/750       |
| 16      | 590-300-017 | Inlet Gas Pipe Gasket (Included in Item 3)                                   | 550/750       |
| 17      | In Item 3   | Screws, ⅝-16 X ½", Button Head; Washers, ⅝" SAE (4 of Each Required)         | 550/750       |



## SlimFit Series 1, 2 & 3 Miscellaneous Parts

| Part No.    | Description   | Size              |
|-------------|---|-------------------|
| 383-600-076 | Condensate Neutralizer Kit (Up To 1000 MBH)   | All               |
| 591-706-200 | Heat Exchanger Cleaning Tool  | All               |
| 383-600-063 | Relief Valve 30 PSI, 3/4" X 1", 925 MBH Capacity  | All               |
| 383-600-064 | Relief Valve 50 PSI, 3/4" X 1", 1352 MBH Capacity   | All               |
| 383-600-065 | Relief Valve 80 PSI, 3/4" X 3/4", 1400 MBH Capacity   | All               |
| 560-907-633 | 6" Stainless Bird Screen (2 Required)   | Per boiler manual |
| 560-907-634 | 8" Stainless Bird Screen (2 Required)   | Per boiler manual |
| 592-900-002 | Corrosion Inhibitor, 1 Tube   | All               |
| 592-900-005 | Inhibitor Test Kit, 2 Tests   | All               |
| 592-900-003 | Boiler System Cleaner/Sludge Remover  | All               |
| 592-900-006 | Aluminum-Safe Anti-Freeze, 5 gallon   | All               |
| 383-600-079 | Maintenance Kit (Includes: Igniter, Gasket, Hardware, Inhibitor Test Kit, Ignition Suppressor, Blower Gaskets, Silicone Cord, RTV 6500-2.8oz, and Boiler Manual ) | All               |
| 383-600-080 | Intake Filter For Direct Exhaust Venting  | All               |
| 383-600-074 | 550 LP Propane Conversion Kit (Includes Round L/P Orifice, and Label)   | 550               |
| 383-600-075 | 750 LP Propane Conversion Kit (Includes Blower Orifice Plate, Round L/P Orifice, Blower Gasket, and Label)  | 750               |
| 383-600-081 | Condensate Trap Kit (Includes 1" Coupling, Tee, Trap, Clamp, and Gasket)  | All               |
| 383-600-083 | Vent Adapter For 6" Stainless Steel Vent Pipe AL29-4C, Dura-Vent -FasNSeal  |                   |

# SlimFit Jacket Assembly



GAS

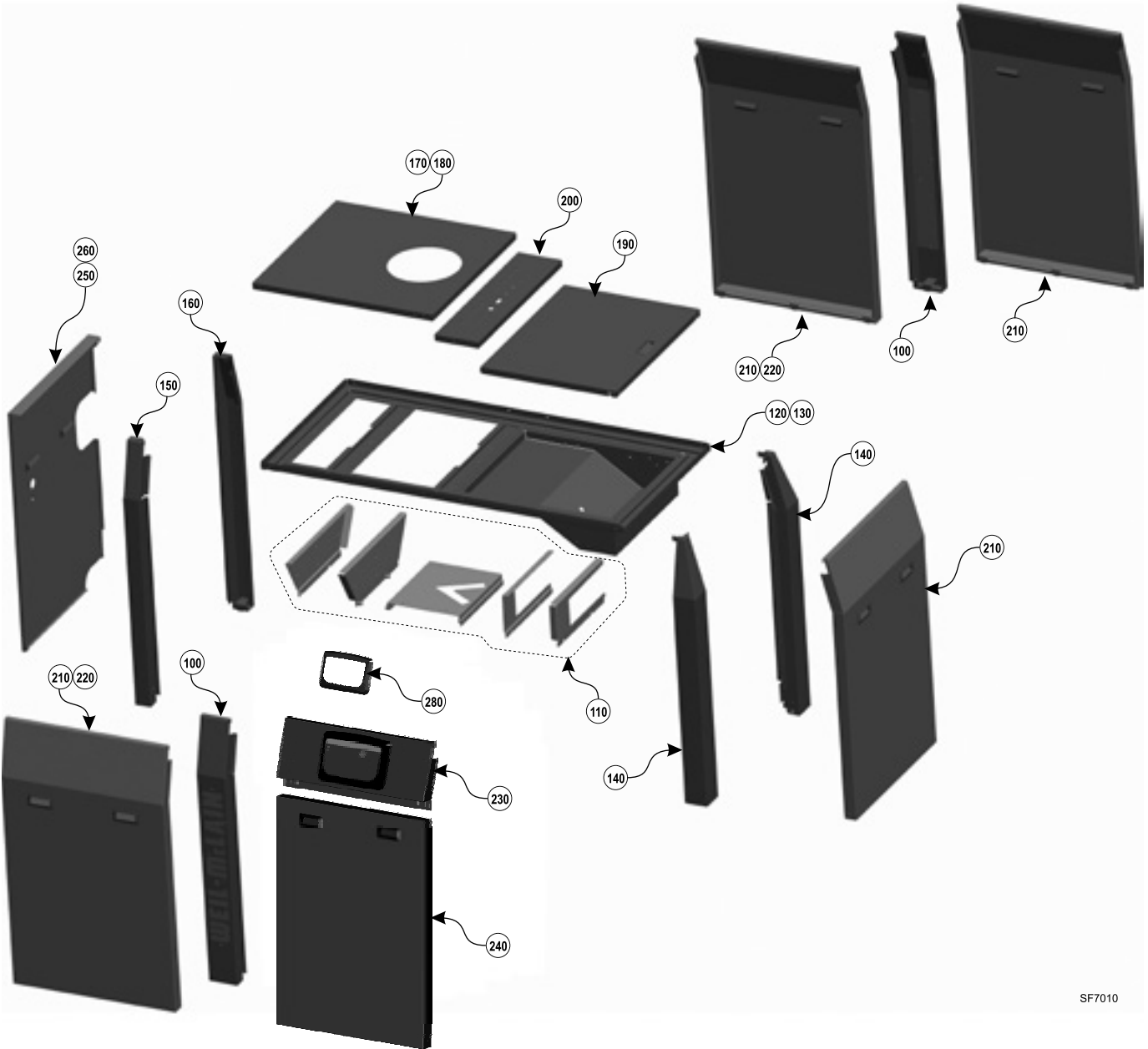
SF7010

## SlimFit Jacket Assembly Parts

| Fig No. | Part No.    | Description  |
|---------|-------------|--|
| 100     | 426-700-330 | Jacket Side Post With Mounting Plate                                       |
| 110     | 383-600-249 | Support Frame Bracket Kit (Includes Frame Components, and Hardware)        |
| 120     | 383-600-253 | Jacket Top Frame Kit, SF1000/1500, (Includes Frame, and Hardware)          |
| 130     | 383-600-254 | Jacket Top Frame Kit, SF2000, (Includes Frame, and Hardware)               |
| 140     | 383-600-258 | Jacket Corner Post, Front, (Includes Post, and Hardware)                   |
| 150     | 426-700-315 | Jacket Corner Post, Back/Left, (Includes Post, and Hardware)               |
| 160     | 426-700-316 | Jacket Corner Post, Back/Right, (Includes Post, and Hardware)              |
| 170     | 383-600-261 | Jacket Top-Size C, SF1000/1500, (Includes Panel, and Hardware)             |
| 180     | 383-600-262 | Jacket Top-Size D, SF2000, (Includes Panel, and Hardware)                  |
| 190     | 383-600-263 | Jacket Top-Size A, SF1000/1500/2000, (Includes Panel, and Hardware)        |
| 200     | 383-600-265 | Jacket Top-Size B, SF1000/1500/2000, (Includes Panel, Plugs, and Hardware) |
| 210     | 426-700-325 | Jacket Access Door-Size B, SF1000/1500, (Includes Panel With Handles)      |
| 220     | 426-700-326 | Jacket Access Door-Size C, SF2000, (Includes Panel With Handles)           |
| 230     | 426-700-329 | Door Panel-Size A, (Includes Panel With Handles, Bezel, and Hardware)      |
| 240     | 426-700-327 | Door Panel-Left Hand (Shown) (Includes Panel With Handles)                 |
| 250     | 426-700-328 | Door Panel-Right Hand (Not shown) (Includes Panel With Handles)            |
| 260     | 383-600-264 | Display Panel Mounting Bracket, (Includes Bracket, and Hardware)           |
| N/S     | 592-002-033 | Touch Up Paint - Black - Low E 4.5oz Can                                   |
|         | 592-002-032 | Touch Up Paint - Putty - Low E 4.5oz Can                                   |

# SlimFit - SERIES 2 ONLY

## Jacket Assembly

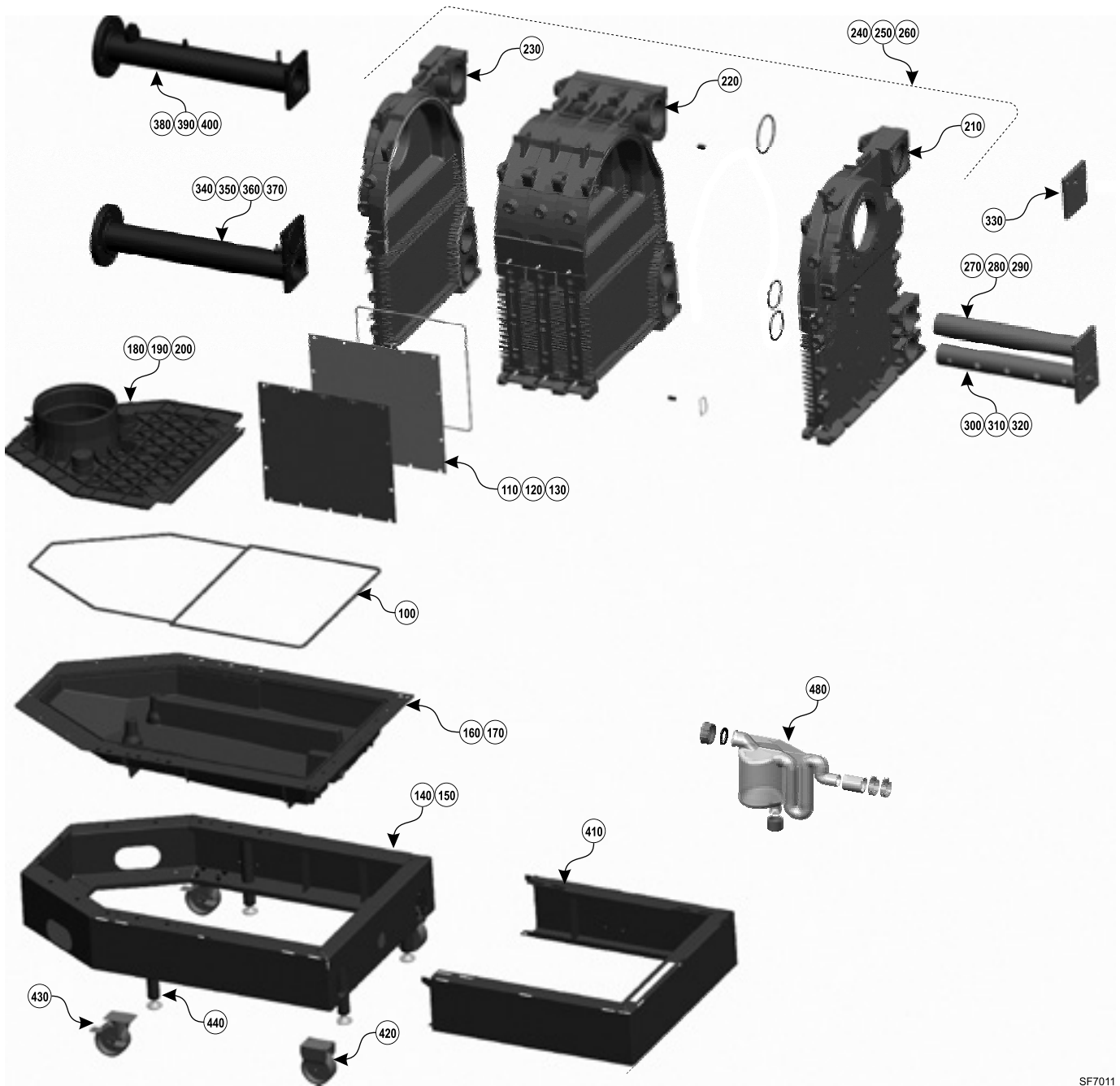


SF7010

**SlimFit - SERIES 2 ONLY**  
**Jacket Assembly Parts**

| Fig No. | Part No.    | Description  |
|---------|-------------|--|
| 120     | 383-600-502 | Jacket Top Frame Kit, SF-1000/1500 - (Includes Frame And Hardware)         |
| 130     | 383-600-503 | Jacket Top Frame Kit, SF-2000 - (Includes Frame And Hardware)              |
| 200     | 383-600-504 | Jacket Top-Front Center, Size-B, (Includes Panel, Plugs And Hardware)      |
| 230     | 383-600-505 | Jacket Panel Top With Display Opening - (Includes Hardware)                |
| 240     | 383-600-506 | Jacket Panel Bottom - (Includes Hardware)                                  |
| 280     | 383-600-507 | Display Panel Bezel, Plastic - (Includes Hardware)                         |
| N/S     | 383-600-509 | Supply Cover Plate With LWCO Port - (Includes Plate, O-Ring, And Hardware) |

# SlimFit / SlimFit Series 2 Heat Exchanger & Base Assembly



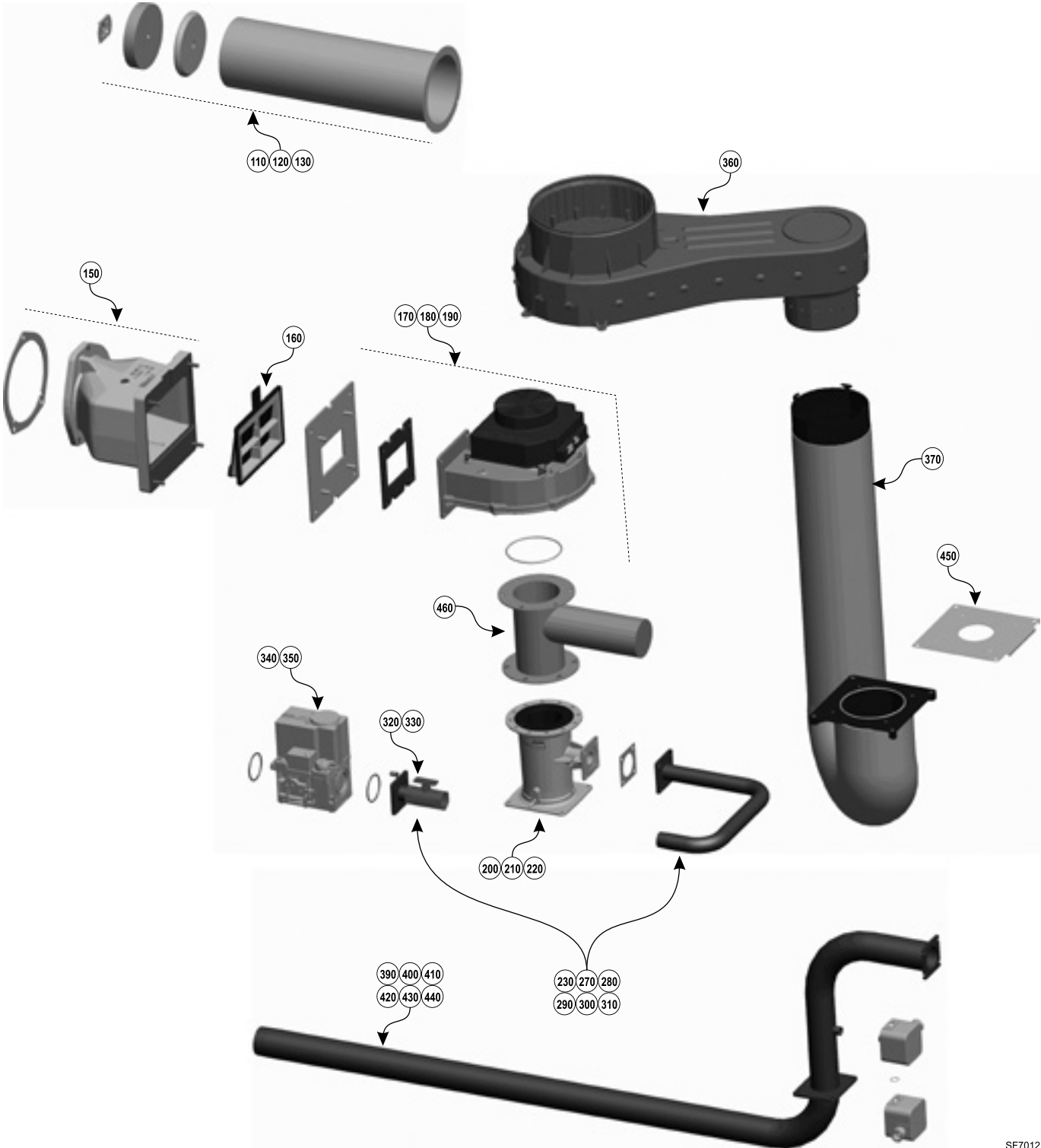
SF7011

GAS

## SlimFit / SlimFit Series 2 Heat Exchanger & Base Assembly Parts

| Fig No. | Part No.    | Description   |
|---------|-------------|---|
| 100     | 383-600-201 | Silicone Chord, 10mm X 144" To Seal Section To Base   |
| 110     | 383-600-202 | Cleanout Plate Gasket Kit, SF1000, (Gasket, Silicone Sealing Cord,and Hardware)   |
| 120     | 383-600-203 | Cleanout Plate Gasket Kit, SF1500, (Gasket, Silicone Sealing Cord,and Hardware)   |
| 130     | 383-600-204 | Cleanout Plate Gasket Kit, SF2000, (Gasket, Silicone Sealing Cord,and Hardware)   |
| 140     | 383-600-205 | Bottom Frame, SF1000/1500, (Frame, Casters Hardware, O-ring, Silicone Sealing Cord,and Silicone Sealant)                |
| 150     | 383-600-206 | Bottom Frame, SF2000, (Frame, Casters Hardware, O-ring, Silicone Sealing Cord,and Silicone Sealant)                     |
| 160     | 383-600-207 | Flue Collector Base Kit, SF1000/1500, (Flue Collector,Silicone Sealing Cord,and Hardware)                               |
| 170     | 383-600-208 | Flue Collector Base Kit, SF2000, (Flue Collector,Silicone Sealing Cord,and Hardware)                                    |
| 180     | 383-600-209 | Flue Collar Adapter Kit, SF1000, (Adapter, Silicone sealing Cord,Gasket, O-ring, Flue Temperature Sensor, and Hardware) |
| 190     | 383-600-210 | Flue Collar Adapter Kit, SF1500, (Adapter, Silicone Sealing Cord,Gasket, O-ring, Flue Temperature Sensor, and Hardware) |
| 200     | 383-600-211 | Flue Collar Adapter Kit, SF2000, (Adapter, Silicone Sealing Cord,Gasket, O-ring, Flue Temperature Sensor, and Hardware) |
| 210     | 383-600-212 | Heat Exchanger Front Section, (Section, Silicone Sealant, O-Rings, and Hardware)  |
| 220     | 383-600-213 | Heat Exchanger Intermediate Section, (Section, Silicone Sealant, O-Rings, and Hardware)                                 |
| 230     | 383-600-214 | Heat Exchanger Back Section, (Section, Silicone Sealant, O-Rings, and Hardware)   |
| 240     | 383-600-215 | Heat Exchanger, Complete, Assembled, SF1000   |
| 250     | 383-600-216 | Heat Exchanger, Complete, Assembled, SF1500   |
| 260     | 383-600-217 | Heat Exchanger, Complete, Assembled, SF2000   |
| 270     | 383-600-218 | Return Distribution Tube, Blank SF1000, (Tube, Flange,O-Ring, and Hardware)   |
| 280     | 383-600-219 | Return Distribution Tube, Blank SF1500, (Tube, flange,O-Ring, and Hardware)   |
| 290     | 383-600-220 | Return Distribution Tube, Blank SF2000, (Tube, Flange,O-Ring, and Hardware)   |
| 300     | 383-600-221 | Return Distribution Tube, Perforated SF1000, (Tube, Flange,O-Ring, and Hardware)  |
| 310     | 383-600-222 | Return Distribution Tube, Perforated SF1500, (Tube, Flange,O-Ring, and Hardware)  |
| 320     | 383-600-223 | Return Distribution Tube, Perforated SF2000, (Tube, Flange,O-Ring, and Hardware)  |
| 330     | 383-600-224 | Supply Cover Plate With LWCO Port, (Plate, O-ring, and Hardware)  |
| N/S     | 383-600-228 | Return Cover Plate, Blank, (Plate, O-ring, and Hardware)  |
| 350     | 383-600-229 | Return Manifold With Flange, SF2000, (Manifold, flange, o-ring, temperature sensor, and sealant)                        |
| 360     | 383-600-276 | Return Manifold With Flange, SF1500, (Manifold, flange, o-ring, temperature sensor, and sealant)                        |
| 370     | 383-600-277 | Return Manifold With Flange, SF1000, (Manifold, flange, o-ring, temperature sensor, and sealant)                        |
| 380     | 383-600-230 | Supply Manifold With Flange, SF2000, (Manifold, flange, o-ring, temperature sensor, and sealant)                        |
| 390     | 383-600-278 | Supply Manifold With Flange, SF1500, (Manifold, flange, o-ring, temperature sensor, and sealant)                        |
| 400     | 383-600-279 | Supply Manifold With Flange, SF1000, (Manifold, flange, o-ring, temperature sensor, and sealant)                        |
| 410     | 383-600-248 | Bottom End Rail Kit   |
| 420     | 383-600-270 | Caster Kit, Non-Swivel, (Caster, and Hardware)  |
| 430     | 383-600-271 | Caster Kit, Swivel, (Caster, and Hardware)  |
| 440     | 383-600-272 | Leveling Leg Kit, (Leveling Leg, and Adapter)   |
| N/S     | 561-431-484 | Hex Head Plug, 1/8 BSP, 304 SS  |
|         | 561-013-872 | Condensate Trap Coupling  |
|         | 560-907-749 | Condensate Trap Assembly - (Includes Trap Assembly, Gasket, Swivel Nut, and Siphon)                                     |
|         | 561-444-214 | Combustion Cap Screw  |

# SlimFit / SlimFit Series 2 Burner / Blower / Venturi / Gas Train Assembly



GAS

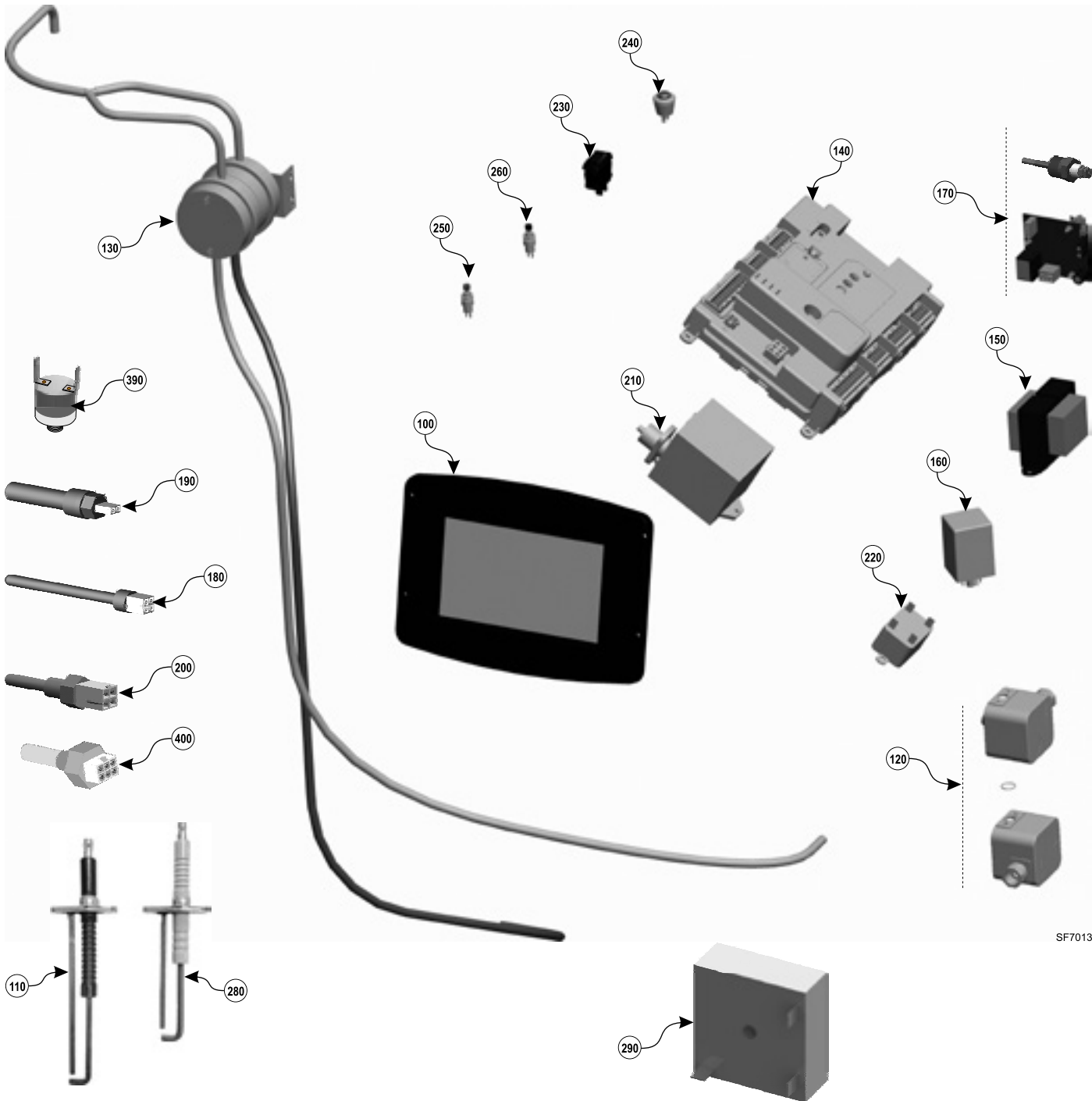
SF7012



## SlimFit / SlimFit Series 2 Burner / Blower / Venturi / Gas Train Assembly Parts

| Fig No. | Part No.    | Description  |
|---------|-------------|--|
| N/S     | 383-600-231 | Piping End Combustion Chamber Access Plate, (Plate, Gasket, Insulation, and Hardware)                |
| 110     | 383-600-232 | Burner Kit, SF2000, (Burner, Insulation Ring, and Hardware)  |
| 120     | 383-600-280 | Burner Kit, SF1500, (Burner, Insulation Ring, and Hardware)  |
| 130     | 383-600-281 | Burner Kit, SF1000, (Burner, Insulation Ring, and Hardware)  |
| N/S     | 383-600-233 | Burner Cover Plate, (Plate, Insulation, and Hardware)  |
| 150     | 383-600-234 | Mixing Tube Kit, (Mixing Tube, Flapper Valve, Gasket, and Hardware)                                  |
| 160     | 383-600-235 | Flapper Valve Kit, (Flapper Valve, and Hardware)   |
| 170     | 383-600-236 | Blower Kit, SF2000, (Blower, O-ring, and Hardware)   |
| 180     | 383-600-282 | Blower Kit, SF1500, (Blower, O-ring, and Hardware)   |
| 190     | 383-600-283 | Blower Kit, SF1000, (Blower, O-ring, and Hardware)   |
| 200     | 383-600-237 | Venturi Kit, SF2000, (Venturi,O-Ring, Gasket, and Hardware)  |
| 210     | 383-600-284 | Venturi Kit, SF1500, (Venturi,O-Ring, Gasket, and Hardware)  |
| 220     | 383-600-285 | Venturi Kit, SF1000, (Venturi,O-Ring, Gasket, and Hardware)  |
| 230     | 383-600-238 | Gas Manifold, SF1000L, (Manifold,Gasket, Manual Gas Valve, O-Rings, and Hardware)                    |
| 270     | 383-600-239 | Gas Manifold, SF1000R, (Manifold,Gasket, Manual Gas Valve, O-Rings, and Hardware)                    |
| 280     | 383-600-240 | Gas Manifold, SF1500L, (Manifold,Gasket, Manual Gas Valve, O-Rings, and Hardware)                    |
| 290     | 383-600-241 | Gas Manifold, SF1500R, (Manifold,Gasket, Manual Gas Valve, O-Rings, and Hardware)                    |
| 300     | 383-600-242 | Gas Manifold, SF2000L, (Manifold,Gasket, Manual Gas Valve, O-Rings, and Hardware)                    |
| 310     | 383-600-243 | Gas Manifold, SF2000R, (Manifold,gasket, Manual Gas Valve, O-Rings, and Hardware)                    |
| 320     | 383-600-244 | Manual Gas Valve, T-Handle, SF1000/1500  |
| 330     | 383-600-245 | Manual Gas Valve, T-Handle, SF2000   |
| 340     | 383-600-246 | Automatic Gas Valve Kit, SF1000, (Automatic Valve, Plastic Reference Line Tubing, and Hardware)      |
| 350     | 383-600-286 | Automatic Gas Valve Kit, SF1500/2000, (Automatic Valve, Plastic Reference Line Tubing, and Hardware) |
| 360     | 383-600-251 | Air Inlet Box Kit, (Box, and Hardware)   |
| 370     | 383-600-252 | Air Inlet Hose Kit, (Hose, and Hardware)   |
| 390     | 383-600-291 | Gas Manifold Pipe Kit, SF1000L, (Pipe, Sealant, Gasket, and Hardware)                                |
| 400     | 383-600-292 | Gas Manifold Pipe Kit, SF1000R, (Pipe, Sealant, Gasket, and Hardware)                                |
| 410     | 383-600-293 | Gas Manifold Pipe Kit, SF1500L, (Pipe, Sealant, Gasket, and Hardware)                                |
| 420     | 383-600-294 | Gas Manifold Pipe Kit, SF1500R, (Pipe, Sealant, Gasket, and Hardware)                                |
| 430     | 383-600-295 | Gas Manifold Pipe Kit, SF2000L, (Pipe, Sealant, Gasket, and Hardware)                                |
| 440     | 383-600-296 | Gas Manifold Pipe Kit, SF2000R, (Pipe, Sealant, Gasket, and Hardware)                                |
| 450     | 383-600-301 | Orifice Plate, SF1000, With Screws, 2.87" Diameter Opening   |
|         | 383-600-302 | Orifice Plate, SF1500, With Screws, 3.58" Diameter Opening   |
|         | 383-600-303 | Orifice Plate, SF2000, With Screws, 4.00" Diameter Opening   |
| 460     | 383-600-307 | Acoustic Adapter, SF1000 Only, (Adapter, O-ring, and Hardware)                                       |

# SlimFit Controls



SF7013

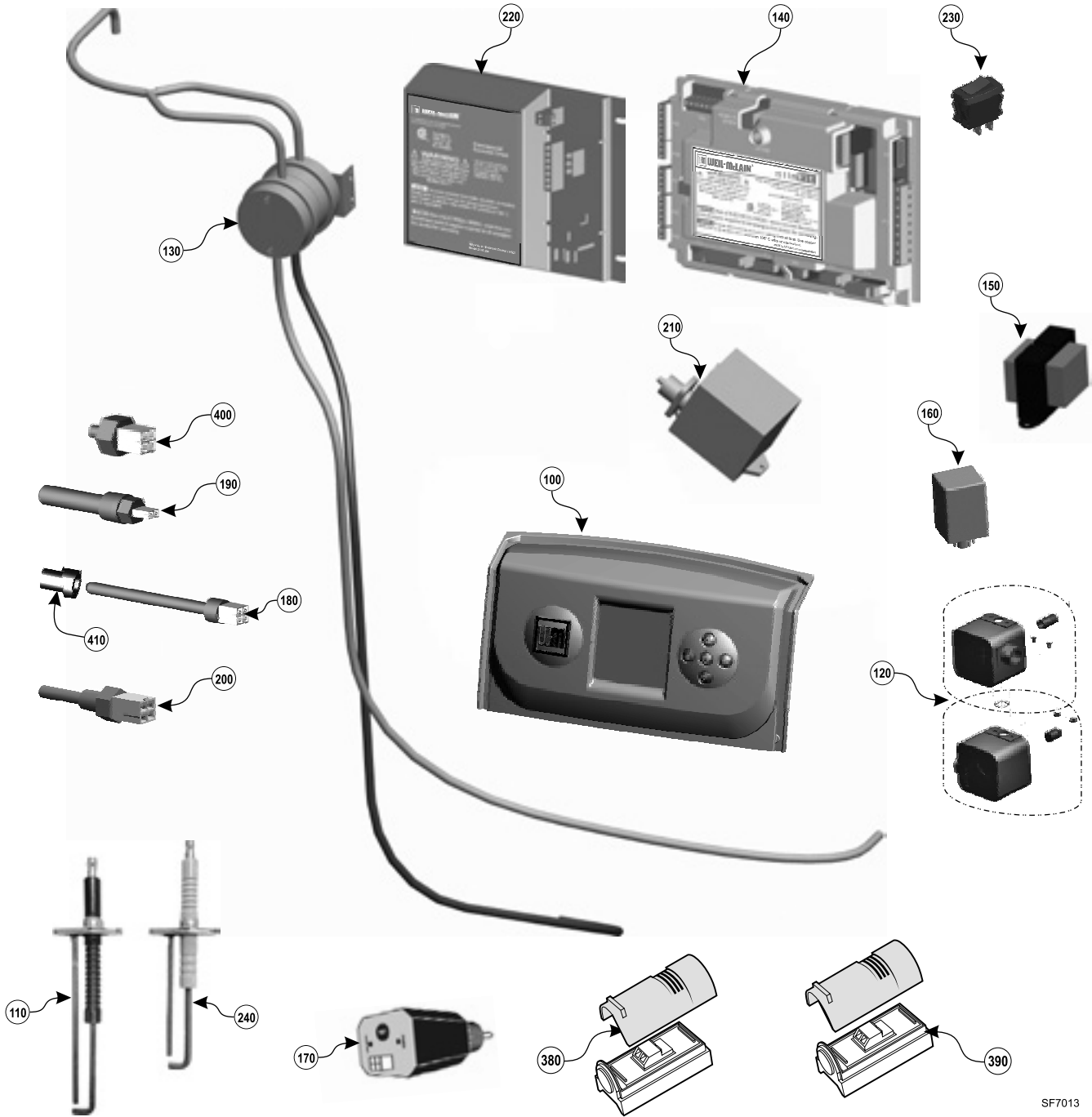
GAS

## SlimFit Control Parts

| Fig No. | Part No.    | Description  |
|---------|-------------|--|
| 100     | 383-600-200 | Display Panel Kit  |
| 110     | 383-600-226 | Ignitor Kit, (Ignitor, Gasket, Hardware, and Ground Harness)   |
| 120     | 383-600-247 | Gas Pressure Switch Kit, (High/Low Pressure Switches, Hardware, Sealant)                                       |
| 130     | 383-600-308 | Pressure Switch Kit, (Pressure Switches, Hoses, and Hardware)  |
| 140     | 383-600-255 | Weil-McLain Sola Control Module Kit, SF1000, (Control Module, and Hardware)                                    |
|         | 383-600-305 | Weil-McLain Sola Control Module Kit, SF1500, (Control Module, and Hardware)                                    |
|         | 383-600-306 | Weil-McLain Sola Control Module Kit, SF2000, (Control Module, and Hardware)                                    |
| 150     | 511-802-015 | Control Transformer, 120/24 Volt, 50 VA, 50-60 HZ  |
| 160     | 570-350-231 | Blower Relay, 120 Volt, 15 Amp, (Without Socket)   |
| 170     | 383-600-288 | LWCO Kit, (Circuit Board, and probe)   |
| 180     | 383-600-290 | Flue Temperature Sensor Kit, 10kohm, (Sensor, and Gasket)  |
| 190     | 571-724-295 | Temperature Sensor, 12kohm, (Single Connector)      Return Boiler Sensor                                       |
| 200     | 571-724-297 | Temperature Sensor, 10kohm, (Dual Connector)      Supply Boiler Sensor   |
| N/S     | 383-500-601 | System Supply Sensor, 12kohm, Strap-On   |
| 210     | 511-330-436 | Ignition Module  |
| 220     | 570-350-232 | Minimum Air Flow Switch Relay, SPDT, 120 Volt  |
| 230     | 383-500-205 | Boiler On/Off Switch, 16 Amp, 125 Volt   |
| N/S     | 591-850-191 | Control Circuit Fuse, (2 Amp, 24 Volt), (Part of Control Wiring Harness)                                       |
| 280     | 383-600-300 | Flame Sensor Kit   |
| N/S     | 380-000-000 | Pressure/Temperature Gauge, 0-75 Psi, ¼ " N.P.T. For 30-50 Psi Boilers   |
|         | 570-218-055 | Pressure/Temperature Gauge, 0-150 Psi, ¼ " N.P.T. For 80-100 Psi Boilers                                       |
|         | 383-600-309 | Time Delay Relay Kit   |
|         | 591-392-015 | Harness-Wiring Low Water Cutoff Reset -Connects Lwco Board To Reset Switch                                     |
|         | 591-391-767 | Harness-Wiring Flame Sensor - Connects From C5 To Flame Sensor   |
|         | 591-391-768 | Harness-Wiring Boiler Blower Control - Connects J2 To C3 For Blower Control                                    |
|         | 591-391-770 | Harness-Wiring Igniter Ground - Connects From Ignitor To Chassis Ground  |
|         | 591-391-771 | Harness-Wiring Gas Pressure Switch - Connects From C10 To Gas Pressure Switches                                |
|         | 591-391-773 | Harness-Wiring Main Bottom - Connects To C3,C10,C11,C12, And C13   |
|         | 591-392-016 | Harness-Wiring Main Top - Connects To Terminals A,D,E, And F, J4,J5,J6, And J7 C1, C4, C5, C6, C7, C17 And C19 |
|         | 591-391-775 | Harness-Wiring Auxiliary Bottom - Connects From Return, Supply, And Flue Sensors To C2                         |
|         | 591-391-776 | Harness-Wiring Auxiliary Top- Connects To B & C, J8, J9,J10 And C2   |
|         | 383-600-340 | LWCO Button Kit - (Includes Black Test / Red Reset Buttons and Instructions)                                   |
|         | 511-624-662 | Black LWCO Test Button   |
|         | 511-624-663 | Red LWCO Reset Button  |
|         | 511-624-660 | Heat Exchanger Thermal Switch, M6 Threads, (95°C/203°F)  |
|         | 383-500-125 | Outdoor Sensor - (Includes Sensor and Mounting Hardware)<br>30/50°C, 12 Kohms                                  |
|         | 511-724-299 | System Immersion Temperature Sensor Kit - (Includes Sensor, Well, Thermal Paste, And Instructions) 12Kohms     |

# SlimFit - SERIES 2 ONLY

## Controls



GAS

SF7013

## SlimFit - **SERIES 2 ONLY** Control Parts

| Fig No. | Part No.    | Description  |
|---------|-------------|--|
| 100     | 383-600-501 | Display Panel Assembly Kit - (Includes instructions)                                       |
| 120     | 383-600-510 | Gas Pressure Switch Kit - (Includes High/Low Gas Pressure Switches, Hardware, And Sealant) |
| 140     | 383-600-500 | Control Module Kit - (Includes Module, And Hardware)      UT1176-180                       |
| 150     | 383-500-628 | Control Transformer, 120/24 Volt - 50VA  |
| 170     | 383-600-511 | Low Water Cut Off  |
| 180     | 383-500-600 | Flue Temperature Sensor - (Includes Gasket)  |
| N/S     | 590-318-011 | Flue Temperature Gasket Only   |
| 220     | 383-600-160 | Expansion Module   |
| N/S     | 591-392-018 | Main Top Wiring Harness  |
|         | 591-392-019 | Blower Control Wiring Harness  |
|         | 591-392-020 | Auxiliary Circulator Wiring Harness  |
|         | 591-392-021 | Auxiliary Additional Contacts Wiring Harness   |
|         | 591-392-022 | Auxiliary Field Contacts Wiring Harness  |
|         | 591-392-026 | Flame Sensor Wiring Harness  |
|         | 591-392-027 | Auxiliary Field Terminals Wiring Harness   |
|         | 591-392-037 | Lower Blower Control Wiring Harness  |
|         | 591-392-038 | Lower High Voltage Wiring Harness  |
|         | 591-392-039 | Lower Low Voltage Wiring Harness   |
|         | 591-392-017 | Auxiliary Top Wiring harness   |
|         | 591-392-040 | Expansion Module To Display Wiring Harness - (Cat-se RJ45)                                 |
|         | 383-500-633 | Control To Expansion Module Wiring Harness - RS485)  |
|         | 510-312-218 | Outdoor Temperature Sensor   |
|         | 383-500-603 | 3-Amp Fuse, Fast-Blow ATO - (5 Fuses Included)   |
|         | 383-500-604 | 12-Amp Fuse, 250 Volt Fast-Blow AG - (5 Fuses Included)                                    |

## SlimFit / SlimFit Series 2 Miscellaneous Parts

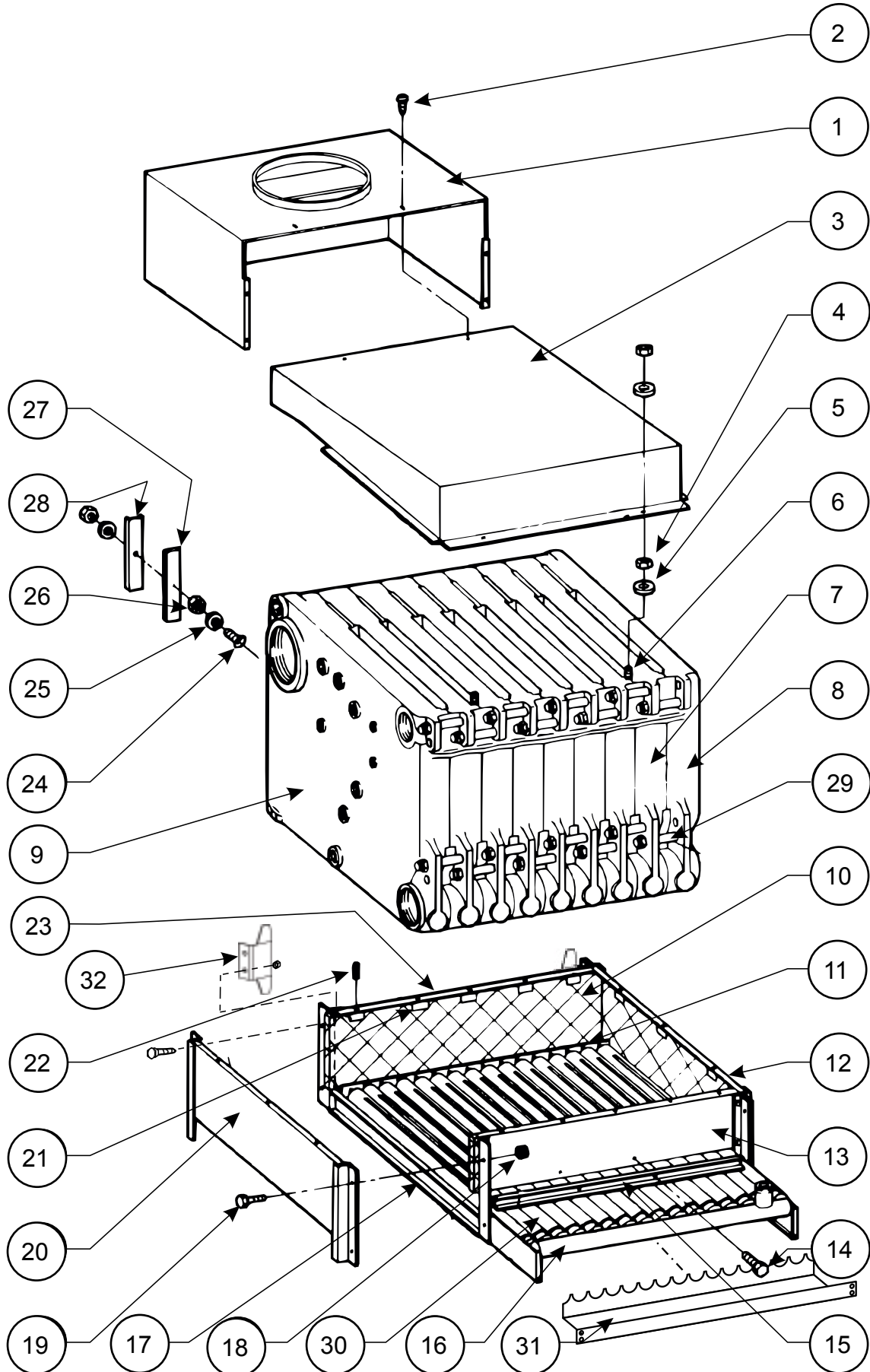
| <b>Miscellaneous Parts and Kits</b> |  |      |
|-------------------------------------|--|------|
| Part No.                            | Description  | Size |
| 383-600-287                         | Condensate Neutralizer Kit, With Instructions, Up to 3000 MBH  | ALL  |
| 591-706-201                         | Heat Exchanger Cleaning Tool   | ALL  |
| 383-600-093                         | Pressure Relief Valve, ASME 30 PSI, 1¼" N.P.T.   | ALL  |
| 383-600-101                         | Pressure Relief Valve, ASME 50 PSI, 1¼" N.P.T  | ALL  |
| 383-600-299                         | Pressure Relief Valve, ASME 80 PSI, 1¼" N.P.T, With New P/T Gauge  | ALL  |
| 383-600-298                         | Pressure Relief Valve, ASME 100 PSI, 1¼" N.P.T, With New P/T Gauge   | ALL  |
| 592-900-006                         | Antifreeze, Sentinel X500--5 Gallons   | ALL  |
| 592-900-016                         | Corrosion Inhibitor, Sentinel X100--5 Gallons  | ALL  |
| 592-900-017                         | Corrosion Inhibitor, Sentinel X100--50 Gallons   | ALL  |
| 592-900-003                         | Cleaner, Sentinel X400--275 ml Tube  | ALL  |
| 592-900-005                         | Inhibitor Quick Test Kit   | ALL  |
| 383-600-225                         | Annual Maintenance Kit (Includes 1-Ignitor, 2-Ignitor/Flame Sensor Gaskets, 4-Screws For Ignitor/Sensor, 2-Washers For Ignitor,1-Flame Sensor,1-Inhibitor Test Kit, 2-Blower Connection Gaskets, and 1-Silicone Cord For Clean Out Plate | ALL  |
| 560-907-739                         | Vent/Air Adapter 6.00" CPVC/PVC – Converts boiler connection to CPVC/PVC diameter.   |      |
| 560-907-738                         | Vent/Air Adapter 8.00" CPVC/PVC – Converts boiler connection to CPVC/PVC diameter.   |      |

GAS

| <b>Vent/Air Piping Components</b> |                            |                                   |                 |
|-----------------------------------|----------------------------|-----------------------------------|-----------------|
| Vent Mfr.                         | Vent Type                  | Adapter Description               | Mfr.'s Part No. |
| Centrotherm                       | InnoFlue SW Polypropylene  | Tapered 10" To 8" Reducer         | ISTR1008        |
| Duravent                          | Polpro Polypropylene       | 9.85" To 6" (Exhaust)             | 810007177       |
|                                   |                            | 9.85" Adapter To 6" PP (Air)      | 810007178       |
|                                   |                            | 9.85" Adapter To 8" PP (Exhaust)  | 810007179       |
|                                   |                            | 9.85" Adapter To 8" PP (Air)      | 810007180       |
|                                   | FasNSeal AL29-4C           | 9.85" Adapter To 6" FNS (Exhaust) | 810007181       |
|                                   |                            | 9.85" Adapter To 6" FNS (Air)     | 810007182       |
|                                   |                            | 9.85" Adapter To 8" FNS (Exhaust) | 810007183       |
|                                   |                            | 9.85" Adapter To 8" FNS (Air)     | 810007184       |
| Heatfab/Selkirk                   | SAF-T Vent EZ Seal AL29-4C | Slimfit Adapter To 6"             | 96WMSF          |
|                                   |                            | Slimfit Adapter To 8"             | 98WMSF          |
| MetalFab Inc.                     | CORR/Guard AL29-4C         | Slimfit Adapter To 6"             | 6FCG9WMA        |
|                                   |                            | Slimfit Adapter To 8"             | 8FCG9WMA        |
| Nova Flex Group                   | Z-Vent AL29-4C             | Slimfit Adapter To 6"             | 2SVESFA1006     |
|                                   |                            | Slimfit Adapter To 8"             | 2SVESFA1008     |

# NOTES

LGB - Series 1 & 2  
Section / Base Assembly



GAS



## LGB - Series 1 & 2 Section / Base Assembly Parts

| Fig. No. | Part No.          | Size | Description   |
|----------|-------------------|------|---|
| N/S      | 383-300-405       |      | Section Replacement Kit (Includes: Seals, Rope and Sealant For 1 Joint) |
| 1        | 443-300-098       | 4    | Horizontal Draft Hood, See Table 1 (Page 139)                           |
|          | 443-300-099       | 5    |   |
|          | 443-300-100       | A    |   |
|          | 443-300-101       | B    |   |
|          | 443-300-102       | C    |   |
|          | 443-300-103       | D    |   |
|          | 443-300-104       | E    |   |
|          | 443-300-105       | F    |   |
|          | 443-300-106       | G    |   |
| 2        | Available Locally |      | Screw, Phillips # 10 X ½"   |
| 3        | 450-019-858       | 4    | Horizontal Collector Hood, See Table 1 (Page 139)                       |
|          | 450-019-859       | 5    |   |
|          | 450-019-851       | A    |   |
|          | 450-019-852       | B    |   |
|          | 450-019-853       | C    |   |
|          | 450-019-854       | D    |   |
|          | 450-019-855       | E    |   |
|          | 450-019-856       | F    |   |
|          | 450-019-857       | G    |   |
| 4        | Available Locally |      | Hex Nut, Regular ¼" - 20  |
| 5        | Available Locally |      | Washer, Plain ¼"  |
| 6        | Available Locally |      | Carriage Bolt, ¼" - 20 X 1½"  |
| 7        | 313-300-110       |      | Regular Intermediate Section - 3315 - 80 P.S.I.                         |
| 8        | 313-300-111       |      | Right Hand End Section - 3318 - 80 P.S.I.                               |
| 9        | 313-300-109       |      | Left Hand End Section - 3314 - 80 PSI                                   |
| N/S      | 592-800-005       |      | 9" Dia. Top Elastomer Seal (1 Per Joint)                                |
|          | 592-800-007       |      | 6" Dia. Bottom Elastomer Seal (1 Per Joint)                             |
|          | 591-706-214       |      | Flue Brush, 123 DMG   |
| 10       |                   | 4    | Base Front and Back Insulation, See Tables 1 & 2 (Page 139)             |
|          |                   | 5    |   |
|          |                   | A    |   |
|          |                   | B    |   |
|          |                   | C    |   |
|          |                   | J    |   |
|          |                   | K    |   |

**LGB - Series 1 & 2**  
**Section / Base Assembly Parts Continued**

| Fig. No.    | Part No.          | Size | Description  |  |
|-------------|-------------------|------|--|--|
| 11          | 450-003-600       | 4    | Burner Rest, See Table 1 (Page 139)                  |  |
|             | 450-003-601       | 5    |  |  |
|             | 450-003-560       | A    |  |  |
|             | 450-003-561       | B    |  |  |
|             | 450-003-562       | C    |  |  |
|             | 450-003-563       | D    |  |  |
|             | 450-003-564       | E    |  |  |
|             | 450-003-565       | F    |  |  |
|             | 450-003-566       | G    |  |  |
| N/S         | 450-003-602       | 4    | Burner Stop, See Table 1 (Page 139)                  |  |
|             | 450-003-603       | 5    |  |  |
|             | 450-003-568       | A    |  |  |
|             | 450-003-569       | B    |  |  |
|             | 450-003-570       | C    |  |  |
|             | 450-003-571       | D    |  |  |
|             | 450-003-572       | E    |  |  |
|             | 450-003-573       | F    | Burner Stop, Size G, See Table 1 (Page 139)          |  |
|             | 450-003-574       | G    |  |  |
|             | 450-003-604       | 4    |  | Combustion Air Baffle For Base, See Table 1 (Page 139) |
|             | 450-003-605       | 5    |  |  |
|             | 450-003-575       | A    |  |  |
|             | 450-003-576       | B    |  |  |
|             | 450-003-577       | C    |  |  |
|             | 450-003-578       | D    |  |  |
|             | 450-003-579       | E    |  |  |
|             | 450-003-580       | F    |  |  |
| 450-003-581 | G                 |      |  |  |
| 12, 20      | 383-300-165       |      | Base End Panel - (Includes 2 Panels With Insulation) |  |
| N/S         | 591-221-126       |      | Insulation End Panels, Left and Right                |  |
|             | 450-003-589       |      | Right Hand Base Leg                                  |  |
|             | 450-003-590       |      | Left Hand Base Leg                                   |  |
| 13          | 450-003-543       | 4    | Base Front Panel, See Table 1 (Page 139)             |  |
|             | 450-003-544       | 5    |  |  |
|             | 450-003-545       | A    |  |  |
|             | 450-003-546       | B    |  |  |
|             | 450-003-547       | C    |  |  |
|             | 450-003-548       | D    |  |  |
|             | 450-003-549       | E    |  |  |
|             | 450-003-550       | F    |  |  |
| 450-003-551 | G                 |      |  |  |
| 14          | Available Locally |      | Screw, Hex Washer Heat Slotted 10-32 x 3/8"          |  |

GAS

**LGB - Series 1 & 2**  
**Section / Base Assembly Parts Continued**

| Fig. No. | Part No.          | Size | Description  |
|----------|-------------------|------|--|
| 15       | 450-003-606       | 4    | Base Access Shield, See Table 1 (Page 139)             |
|          | 450-003-607       | 5    |  |
|          | 450-003-582       | A    |  |
|          | 450-003-583       | B    |  |
|          | 450-003-584       | C    |  |
|          | 450-003-585       | D    |  |
|          | 450-003-586       | E    |  |
|          | 450-003-587       | F    |  |
|          | 450-003-588       | G    |  |
| 16       | 591-125-908       | 4    | Manifold, See Table 1 (Page 139)                       |
|          | 591-125-909       | 5    |  |
|          | 591-125-910       | A    |  |
|          | 591-125-911       | B    |  |
|          | 591-125-912       | C    |  |
|          | 591-125-913       | D    |  |
|          | 591-125-914       | E    |  |
|          | 591-125-915       | F    |  |
|          | 591-125-916       | G    |  |
| 17       | 450-003-567       |      | Base Cross Tie   |
| 18       | Available Locally |      | Nut, Flange Whiz-Lock ¼" -20                           |
| 19       | Available Locally |      | Screw, Hex Heat Cap ¼" - 20 x ¾"                       |
| 21       | 562-650-104       |      | Support Clip For Base Insulation                       |
| 22       | 562-930-236       |      | Roll Pin ⅛" x 2"                                       |
| 23       | 450-003-598       | 4    | Base Back Panel, See Table 1 (Page 139)                |
|          | 450-003-599       | 5    |  |
|          | 450-003-553       | A    |  |
|          | 450-003-554       | B    |  |
|          | 450-003-555       | C    |  |
|          | 450-003-556       | D    |  |
|          | 450-003-557       | E    |  |
|          | 450-003-558       | F    |  |
|          | 450-003-559       | G    |  |
| N/S      | 591-602-913       |      | Retort Cement (Collector Hood and Base Seal) (1 Quart) |
| 24       | Available Locally |      | Carriage Bolt, ¼" - 20 x 1¾"                           |
| 25       | Available Locally |      | Washer, Plain ¼"                                       |
| 26       | Available Locally |      | Hex Nut, Regular ¼" - 20                               |

## LGB - Series 1 & 2 Section / Base Assembly Parts Continued

| Fig. No.    | Part No.    | Size | Description   |
|-------------|-------------|------|---|
| 27          | 591-221-115 |      | Cleanout Plate Insulation 3" x 10½" x ½" (1 Per Joint)  |
| 28          | 450-029-549 |      | Cleanout Plate (1 Per Joint)                            |
| N/S         | 591-706-214 |      | Flue Brush - 42" Long                                   |
| 29          | 560-134-480 |      | ⅝" -11 x 8" Draw Rod Without Nut (3 Required Per Joint) |
| N/S         | 561-928-224 |      | ⅝"-11" Nut (2 Per Draw Rod)                             |
|             | 562-248-710 |      | ⅝" Washer (1 Per Draw Rod)                              |
|             | 590-735-140 |      | Rope Fiberglass ½" Diameter x 10' Per Joint             |
|             | 591-641-850 |      | Construction Adhesive For Sealing Rope (11 oz. Tube)    |
| 30          | 512-200-050 |      | Burner, Tubular Steel, Regular                          |
| N/S         | 512-200-055 |      | Burner, Tubular Steel, For Pilot                        |
|             | 560-528-976 |      | Main Burner Orifice, Propane Gas, 2.4 mm                |
|             | 560-528-979 |      | Main Burner Orifice, Natural Gas, 3.95 mm               |
|             | 423-300-420 |      | Flame Sensor Bracket                                    |
|             | 460-005-624 |      | Pilot Bracket   |
| 31          | 450-003-350 | 4    | Burner Shield, See Table 1 (page 139)                   |
|             | 450-003-352 | 5    |   |
|             | 450-003-354 | A    |   |
|             | 450-003-356 | B    |   |
|             | 450-003-358 | C    |   |
|             | 450-003-360 | D    |   |
|             | 450-003-362 | E    |   |
|             | 450-003-364 | F    |   |
| 450-003-366 | G           |      |   |
| N/S         | 592-002-030 | All  | Touch Up Paint - Blue/Gray - Low E 4.5oz Can            |

| Boiler Size | Number Of Burner Tubes |           | Boiler Size | Number Of Burner Tubes |           |
|-------------|------------------------|-----------|-------------|------------------------|-----------|
|             | Regular                | For Pilot |             | Regular                | For Pilot |
| LGB-4       | 5                      | 1         | LGB-14      | 22                     | 4         |
| LGB-5       | 7                      | 1         | LGB-15      | 24                     | 4         |
| LGB-6       | 8                      | 2         | LGB-16      | 26                     | 4         |
| LGB-7       | 10                     | 2         | LGB-17      | 28                     | 4         |
| LGB-8       | 12                     | 2         | LGB-18      | 30                     | 4         |
| LGB-9       | 14                     | 2         | LGB-19      | 32                     | 4         |
| LGB-10      | 16                     | 2         | LGB-20      | 34                     | 4         |
| LGB-11      | 18                     | 2         | LGB-21      | 36                     | 4         |
| LGB-12      | 20                     | 2         | LGB-22      | 38                     | 4         |
| LGB-13      | 20                     | 4         | LGB-23      | 40                     | 4         |

Note: For Propane Boilers; LGB 4-12, Add Additional Pilot Burner And Remove One Regular Burner  
For LGB 13-23, Add Two Additional Pilot Burners, And Remove Two Regular Burners

## LGB - Series 1 & 2

### Section / Base Assembly Parts Continued

Table 1  
Size Designator According To Boiler Size

| Boiler Size | Size Designator |            | Boiler Size | Size Designator |            |
|-------------|-----------------|------------|-------------|-----------------|------------|
|             | Left Base       | Right Base |             | Left Base       | Right Base |
| LGB-4       | 4               | -          | LGB-14      | B               | C          |
| LGB-5       | 5               | -          | LGB-15      | C               | C          |
| LGB-6       | A               | -          | LGB-16      | C               | D          |
| LGB-7       | B               | -          | LGB-17      | D               | D          |
| LGB-8       | C               | -          | LGB-18      | D               | E          |
| LGB-9       | D               | -          | LGB-19      | E               | E          |
| LGB-10      | E               | -          | LGB-20      | E               | F          |
| LGB-11      | F               | -          | LGB-21      | F               | F          |
| LGB-12      | G               | -          | LGB-22      | F               | G          |
| LGB-13      | B               | B          | LGB-23      | G               | G          |

Table 2  
Base Front and Back Insulation According To Size Designator

| Size Designator | Base Front and Back Insulation |            |
|-----------------|--------------------------------|------------|
|                 | Designator                     | Designator |
| 4               | 4                              | -          |
| 5               | 5                              | -          |
| A               | A                              | -          |
| B               | B                              | -          |
| C               | C                              | -          |
| D               | A                              | E          |
| E               | B                              | E          |
| F               | A                              | D          |
| G               | B                              | D          |

**Note: Refer to Table 1 to Key Size Designator According to Boiler Size**

LGB base insulation part numbers have changed. The front and back insulation set, Item 9, is replaced with the following part numbers.

Note: Both a front and a rear insulation piece must be ordered now, instead of a set.

On the larger bases, 2 pieces make up the front insulation and 2 pieces make up the rear insulation.

D Base = A front and rear plus an E front and rear

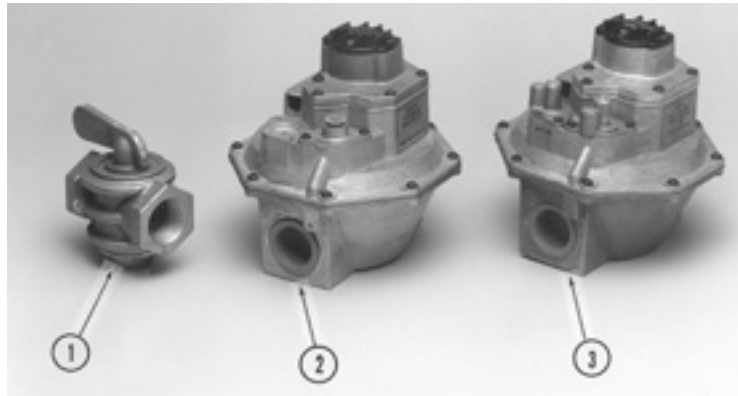
E Base = B front and rear plus an E front and rear

F Base = A front and rear plus a D front and rear

G Base = B front and rear plus a D front and rear

| Fig.No. | Part No.    | Size | Description           |
|---------|-------------|------|-----------------------|
| 9       | 591-221-330 | 4    | Base Insulation Front |
|         | 591-221-331 | 4    | Base Insulation Rear  |
|         | 591-221-332 | 5    | Base Insulation Front |
|         | 591-221-333 | 5    | Base Insulation Rear  |
|         | 591-221-334 | A    | Base Insulation Front |
|         | 591-221-335 | A    | Base Insulation Rear  |
|         | 591-221-336 | B    | Base Insulation Front |
|         | 591-221-337 | B    | Base Insulation Rear  |
|         | 591-221-338 | C    | Base Insulation Front |
|         | 591-221-339 | C    | Base Insulation Rear  |
|         | 591-221-340 | D    | Base Insulation Front |
|         | 591-221-341 | D    | Base Insulation Rear  |
|         | 591-221-342 | E    | Base Insulation Front |
|         | 591-221-343 | E    | Base Insulation Rear  |

## LGB - Series 2 Main Gas Control Train Parts Natural Gas



**Table 1 – LGB Main Gas Control Trains Arrangement**

| LGB Series 1<br>Boiler Size | Main Gas Control Trains                       |   | LGB Series 1<br>Boiler Size | Main Gas Control Trains                     |   |
|-----------------------------|---|---|-----------------------------|---|---|
|                             | 7.0" W.C. Natural<br>Gas Supply Pres-<br>sure | 5.0" W.C. Natural<br>Gas Supply<br>Pressure |                             | 7.0" W.C.<br>Natural Gas<br>Supply Pressure | 5.0" W.C. Natural<br>Gas Supply<br>Pressure |
| LGB-6                       | AB  | AB  | LGB-15                      | J   | J   |
| LGB-7                       | AB  | AB  | LGB-16                      | J   | J   |
| LGB-8                       | CD  | CD  | LGB-17                      | J   | J   |
| LGB-9                       | CD  | CD  | LGB-18                      | K   | K   |
| LGB-10                      | EF  | E   | LGB-19                      | L   | M   |
| LGB-11                      | EF  | F   | LGB-20                      | L   | N   |
| LGB-12                      | EF  | F   | LGB-21                      | *L  | *O  |
| LGB-13                      | H   | H   | LGB-22                      | *L  | *O  |
| LGB-14                      | I   | I   | LGB-23                      | *L  | *O  |

\*With Special Control Carton ( Includes Gas Pressure Switch, Switch Bracket, Connecting Tubing)

**Table 2 – LGB Main Gas Control Trains Individual Components**

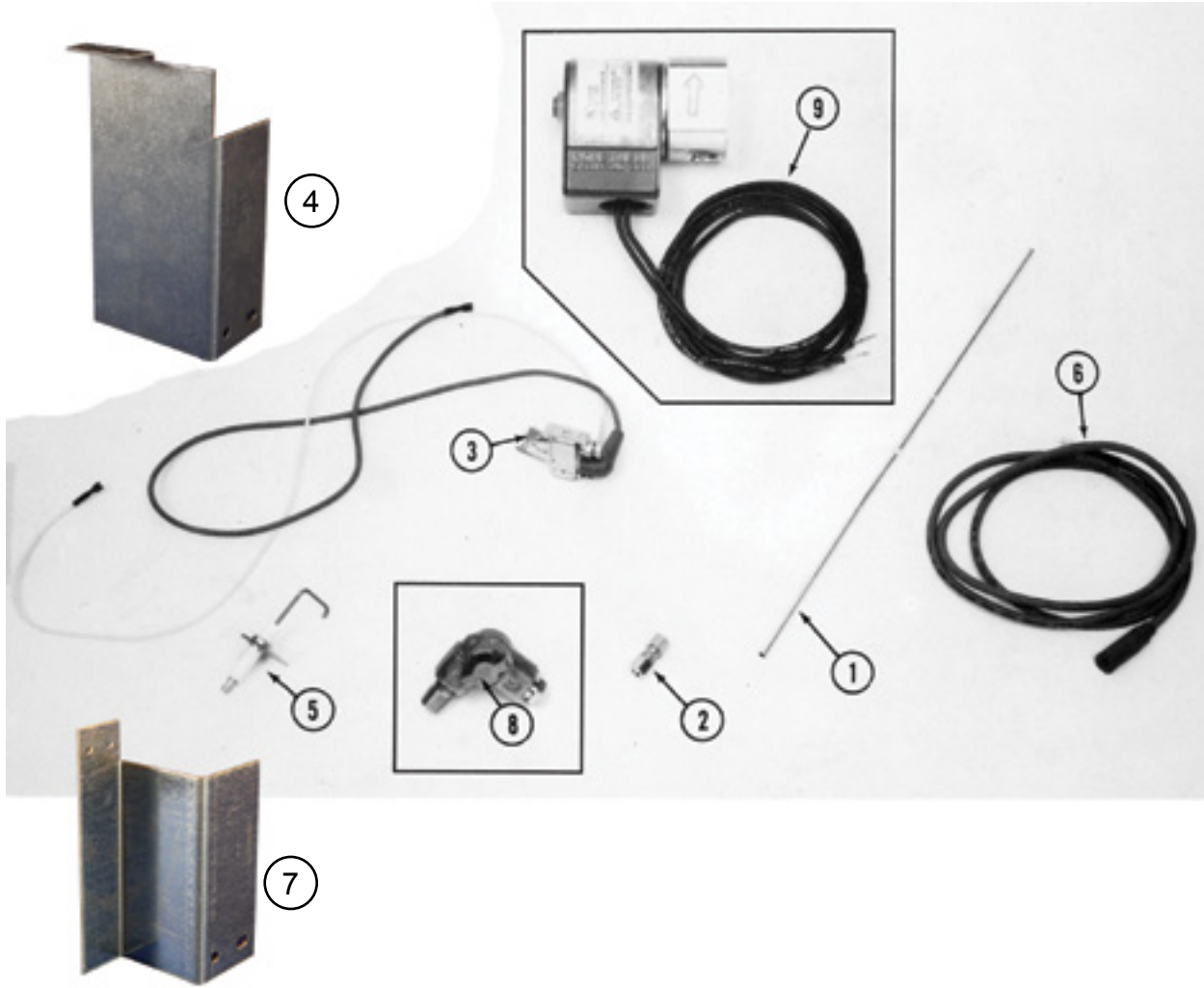
| Fig.<br>No. |  | MAIN GAS CONTROL TRAINS                |   |   |   |   |   |   |   |   |  |   |   |   |   |   |   |   |   |   |   |   |   |   |   |
|-------------|--|--|---|---|---|---|---|---|---|---|--|---|---|---|---|---|---|---|---|---|---|---|---|---|---|
|             |  | 7" W.C. Natural Gas<br>Supply Pressure |   |   |   |   |   |   |   |   | 5" W.C. Natural Gas Supply<br>Pressure |   |   |   |   |   |   |   |   |   |   |   |   |   |   |
|             |  | A                                      | B | C | D | E | F | H | I | J | K                                      | L | A | B | C | D | E | F | H | I | J | K | M | N | O |
| 1           | Manual Main Shut-Off Gas Valve, 1" N.P.T.  | X                                      | X |   |   |   | X | X | X | X |  |   |   |   |   |   |   |   |   |   |   |   |   |   |   |
|             | Manual Main Shut-Off Gas Valve, 1¼" N.P.T. |  |   |   |   | X |   |   |   | X | X                                      | X | X |   |   |   |   | X | X | X | X |   |   |   |   |
|             | Manual Main Shut-Off Gas Valve, 1½" N.P.T. |  |   |   |   |   |   |   |   |   |  |   |   |   | X |   |   |   |   |   |   | X | X | X |   |
|             | Manual Main Shut-Off Gas Valve, 2" N.P.T.  |  |   |   |   |   |   |   |   |   |  |   |   |   |   |   | X |   |   |   |   |   | X | X |   |
| 2           | Safety Gas Valve 1" N.P.T.                 | X                                      | X |   |   |   | X | X | X | X |  |   |   |   |   |   |   |   |   |   |   |   |   |   |   |
|             | Safety Gas Valve 1¼" N.P.T.                |  |   |   |   | X |   |   |   |   | X                                      | X | X |   |   |   |   | X | X | X | X |   |   |   |   |
|             | Safety Gas Valve 1½" N.P.T.                |  |   |   |   |   |   |   |   |   |  |   |   |   | X | X |   |   |   |   |   | X | X | X | X |
| 3           | Combination Gas Control Valve, 1" N.P.T.   | X                                      | X |   |   |   | X | X | X | X |  |   |   |   |   |   |   |   |   |   |   |   |   |   |   |
|             | Combination Gas Control Valve, 1¼" N.P.T.  |  |   |   |   | X |   |   |   |   | X                                      | X | X |   |   |   |   | X | X | X | X |   |   |   |   |
|             | Combination Gas Control Valve, 1½" N.P.T.  |  |   |   |   |   |   |   |   |   |  |   |   |   | X | X |   |   |   |   |   | X | X | X | X |

**LGB - Series 2**  
**Main Gas Control Parts - Natural Gas**  
**Universal Control System**

| Fig. No.                                   | Part No.    | Description   |
|--|-------------|---|
| <b>Manual - Main Shut-Off Gas Valves</b>   |             |   |
| 1  | 511-246-325 | Manual - Main Shut-Off Gas Valve, 1" N.P.T., With Downstream Pressure Tapping, 1/8" N.P.T.  |
|  | 511-246-330 | Manual - Main Shut-Off Gas Valve, 1/4" N.P.T., With Downstream Pressure Tapping, 1/8" N.P.T.  |
|  | 511-246-300 | Manual - Main Shut-Off Gas Valve, 1/2" N.P.T., With Downstream Pressure Tapping, 1/8" N.P.T.  |
|  | 511-246-305 | Manual - Main Shut-Off Gas Valve, 2" N.P.T., With Downstream Pressure Tapping, 1/8" N.P.T.  |
| <b>Safety Gas Valves</b>                   |             |   |
| 2  | 511-044-191 | Gas Valve, Without Regulator, 1"  |
|  | 511-044-192 | Gas Valve, Without Regulator, 1 1/4"  |
|  | 511-044-193 | Gas Valve, Without Regulator, 1 1/2"  |
|  | 383-300-425 | 1" LGB Conversion To V8943A Kit (To Convert From V88 or V8843P To V8943A)   |
|  | 383-300-426 | 1 1/4" LGB Conversion To V8943A Kit (To Convert From V88 or V8843P To V8943A)   |
|  | 383-300-427 | 1 1/2" LGB Conversion To V8943A Kit (To Convert From V88 or V8843P To V8943A)   |
| <b>Combination Gas Control Valves</b>      |             |   |
| 3  | 511-044-214 | Combination Gas Control Valve, 1" N.P.T., 24 Volt, With Low Fire Operator, High fire Operator, Main Pressure Regulator and 1/8" N.P.T. Downstream Pressure Tapping  |
|  | 511-044-215 | Combination Gas Control Valve, 1/4" N.P.T., 24 Volt, With Low Fire Operator, High Fire Operator, Main Pressure Regulator and 1/8" N.P.T. Downstream Pressure Tapping  |
|  | 511-044-216 | Combination Gas Control Valve, 1/2" N.P.T., 24 Volt, With Low Fire Operator, High Fire Operator, Main Pressure Regulator and 1/8" N.P.T. Downstream Pressure Tapping  |
| <b>LGB 4-5 Gas Valve</b>                   |             |   |
| N/S  | 511-044-287 | Gas Valve 1" x 1" N.P.T Natural Gas Intermittent Pilot Slow Opening   |
| <b>Gas Pressure Switch and Accessories</b> |             |   |
| N/S  | 511-624-555 | High Gas Pressure Switch, SPDT, Manual Reset, Lockout on Pressure Rise, Diaphragm Type 3.0-21.0" W.C. Range, 1.0-3.0" W.C. Differential, 1/4" N.P.T. Female Vent Connector, With Switch Position Indicator (2 Required For LGB-21 Through LGB-23) |
|  | 561-643-451 | Union, 1/8" Male N.P.T. x 1/4" CC (4 Required For LGB-21 Through LGB-23) (Purchase Locally)   |
|  | 560-742-915 | Aluminum Tubing, 1/4" O.D. x 100" Roll  |

GAS

## LGB - Series 2 Pilot / Fame Sensor

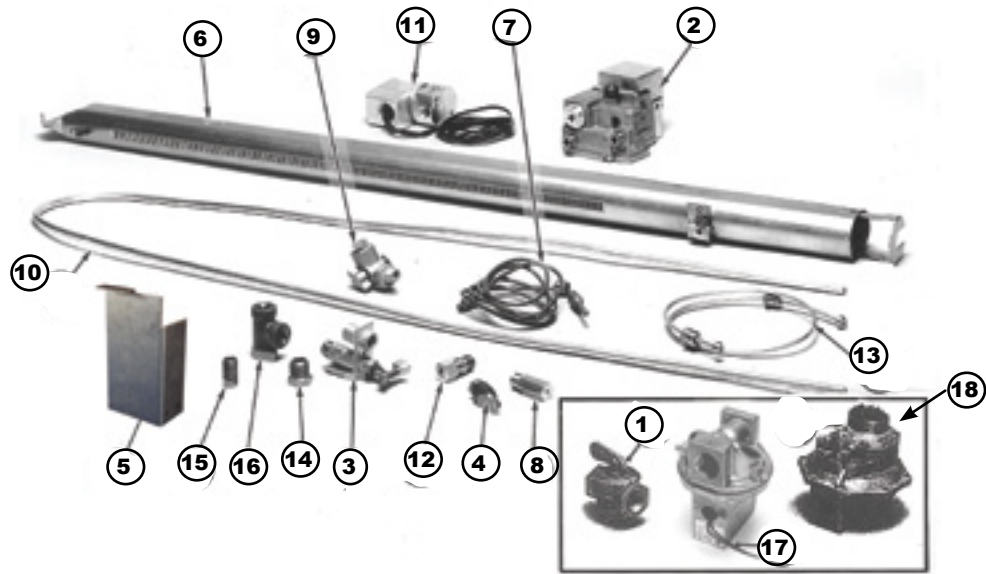


GAS

| Fig. No.                          | Part No.    | Description   | 4-5 | 6-12 | 13-23 |
|-----------------------------------|-------------|---|-----|------|-------|
| <b>LGB Pilots and Fame Sensor</b> |             |   |     |      |       |
| 1                                 | 560-742-880 | Pilot Line Aluminum Tubing, 2 Pieces Required, 1/4" Dia. X 20" Long                       |     | 1    | 2     |
| 2                                 | 561-643-450 | Pilot Line Union, 1/4" CC (Purchase Locally)  |     | 1    | 2     |
| 3                                 | 511-330-221 | N/G PIN Pilot Burner Assembly With Pilot Burner, Orifice, Sensing Lead and Ignition Cable | 1   | 1    | 2     |
| 4                                 | 460-005-624 | Pilot Burner Mounting Bracket   |     | 1    | 2     |
| 5                                 | 511-724-274 | Main Fame Sensor  |     | 1    | 2     |
| 6                                 | 591-391-790 | Sensing Cable For Main Fame Sensor, 72" Long  |     | 1    | 2     |
| 7                                 | 423-300-420 | Main Fame Sensor Mounting Bracket   |     | 1    | 2     |
| 8                                 | 511-246-340 | Manual Shut-Off Pilot Gas Valve, 1/8" N.P.T. X 1/4" CC                                    |     | 1    | 2     |
| 9                                 | 511-044-039 | Pilot Line Solenoid Gas Valve, 1/4" N.P.T., 24 Volt                                       |     | 1    | 2     |



## LGB - Series 2 - Propane Gas Thermally Supervised Pilot to Standard Controls



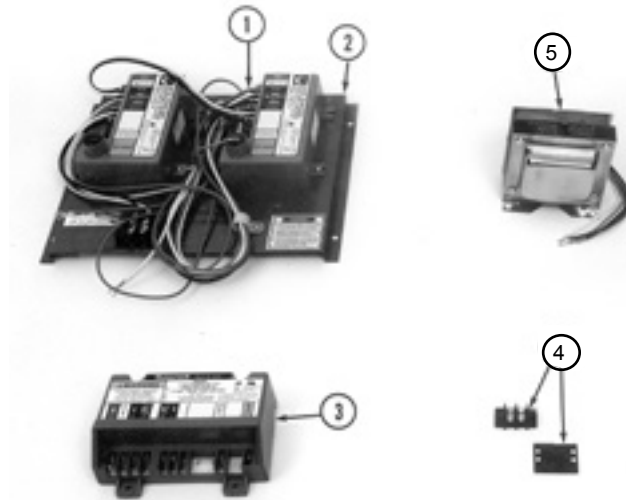
| Fig. No. | Part No.    | Description   |
|----------|-------------|---|
| 1        | 511-246-325 | Manual Main Shut-Off Gas Valve, 1" N.P.T.                                 |
|          | 511-246-330 | Manual Main Shut-Off Gas Valve, 1¼" N.P.T.                                |
| 2        | 511-330-229 | Pilot Switch Box With Built In Pilot Filter, ¼" CC Inlet and Outlet       |
| 3        | 511-330-186 | Pilot Burner, Constant Burning, Thermally Supervised                      |
|          | 383-300-410 | Standing Pilot Burner Repair Kit, Propane Includes Pilot Burner & Orifice |
| 4        | 560-528-957 | Propane Pilot Orifice, .010 Dia., For Q327A                               |
| 5        | 460-005-624 | Pilot Mounting Bracket For Both Pilot Burners                             |
| 6        | 512-200-055 | LGB Main Burner With Pilot Bracket  |
| 7        | 511-724-245 | Thermocouple, 48" Long, For Q327A Pilot                                   |
| 8        | 560-528-976 | LGB Main Burner Orifice, 2.40mm For Propane                               |
| 9        | 511-246-340 | Manual Shut-Off Pilot Gas Valve, ⅛" N.P.T. x ¼" CC                        |
| 10       | 560-742-880 | Pilot Line Aluminum Tubing, ¼" O.D. x 20" (2 Pieces Required)             |
| 11       | 511-044-039 | Pilot Line Solenoid Gas Valve, ¼" O.D. x 22¾" Long                        |
| 12       | 561-643-450 | Union, ¼" CC, Brass (Purchase Locally)                                    |
| 13       | 560-742-860 | Bleed Line Aluminum Tubing, ⅛" O.D. X 22¾" Long                           |
| 14       | 560-807-360 | Bushing, Black ¼" N.P.T. x ⅛" (Purchase Locally)                          |
| 15       | 561-326-200 | Nipple, Black ⅛" N.P.T Close (Purchase Locally)                           |
| 16       | 561-541-199 | Tee, Black ⅛" N.P.T. (Purchase Locally)                                   |
| 17       | 383-300-425 | 1" Conversion To V8943A Kit (Convert From V88/V8843P To 8943A)            |
|          | 383-300-426 | 1¼" Conversion V8943A Kit (Convert From V88 or V8843P To V8943A)          |
| 18       | 511-044-346 | Combination Gas Valve, 1" N.P.T., Propane                                 |
|          | 511-044-218 | Combination Gas Valve, 1¼" N.P.T., Propane                                |
| N/S      | 511-044-279 | Combination Gas Valve, 1" N.P.T. Propane 7000DERHC-LP, LGB 4-5            |

LGB - 5 - Series 2  
CSD - 1 Common Parts

| Part No.                 | Description  |
|--------------------------|--|
| 511-246-290              | Manual Gas Valve, 1" N.P.T   |
| 511-246-325              | Manual Gas Valve, 1" with 2 1/8" taps                              |
| 511-246-339              | Leak Test Valve  |
| 511-044-039              | Pilot Gas Valve  |
| 510-933-195              | Pilot Gas Shut Off Valve, 3/4"                                     |
| 511-246-345              | Pilot Tubing, Aluminum, 1/4" x 20", 2 Pieces Required              |
| 560-742-880              | Pilot Line Union, 1/4"   |
| 510-933-195              | Pilot Regulator  |
| 561-643-450              | Pilot Tubing, 1/4" (Purchase Locally)                              |
| 511-330-086              | Ignition Control Module - With 2 Alarm Terminals                   |
| 510-350-226              | Impulse Relay  |
| 511-624-580              | Push-Button Switch   |
| 511-624-581              | Lens Cover (Push-Button Switch)                                    |
| Purchase Locally         | Light Bulb (Push Button Switch)                                    |
| 511-842-364              | Transformer, 120/24 Volt, 75 VA, Foot Mounted With Circuit Breaker |
| <b>Natural Gas Parts</b> |  |
| 511-044-287              | Combination Gas Valve, 1"  |
| 511-330-221              | Electronic Pilot Burner, With Orifice, Spark and Sense Connections |
| <b>Propane Gas Parts</b> |  |
| 383-300-410              | Standing Pilot Burner  |
| 511-724-245              | Thermocouple, 48"  |
| 511-330-229              | Pilot Switch Box   |
| 511-246-340              | Pilot Shut Off Valve-Standing Pilot Line                           |
| 511-044-279              | Combination Gas Valve, 1"  |

GAS

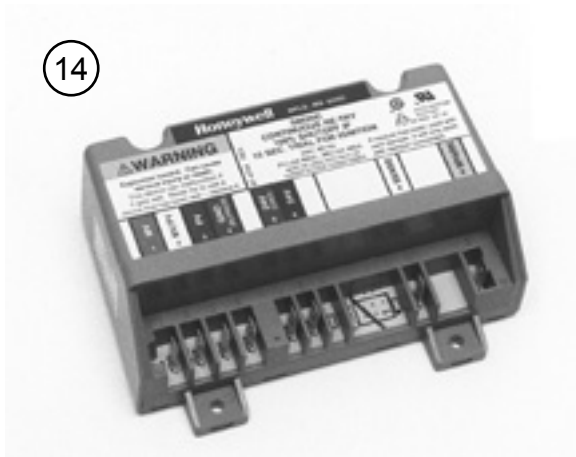
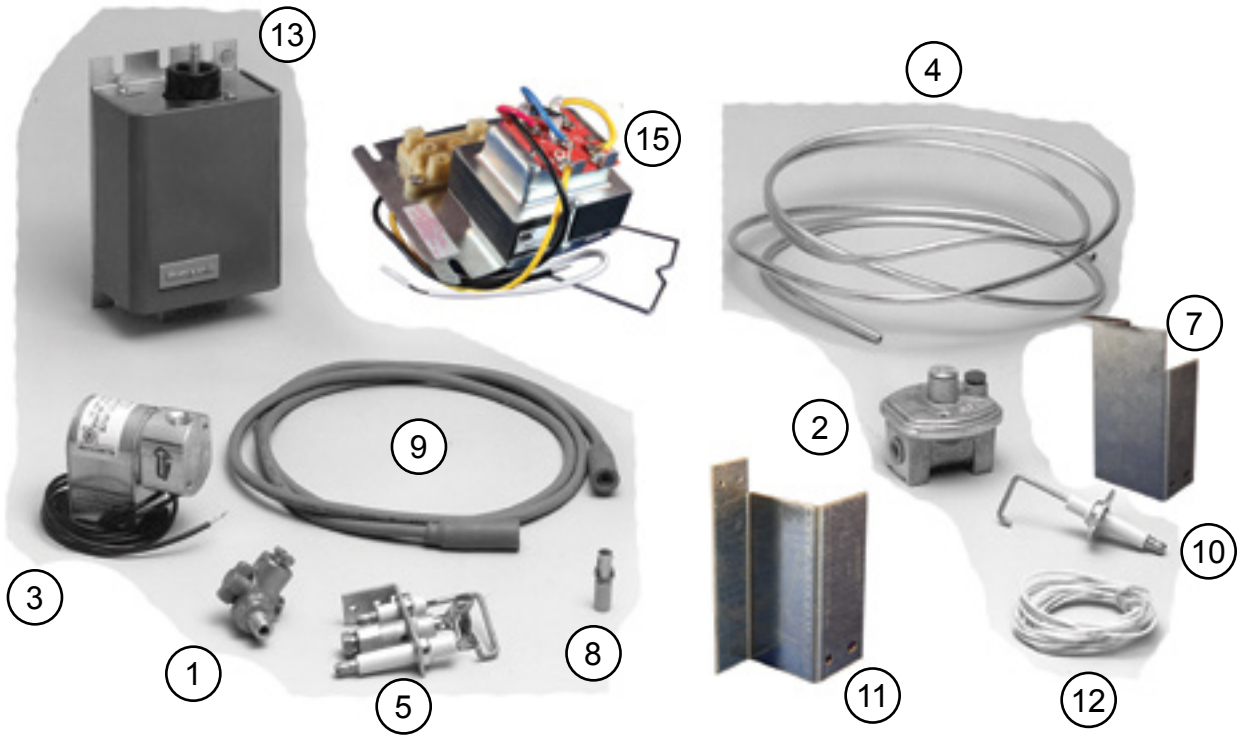
LGB - Series 2  
CSD - 1 Controls  
Universal Control System



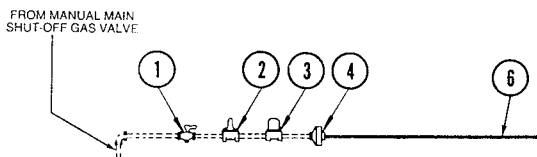
| Fig. No.   | Part No.                         | Description   | Qty Per Boiler Size |      |       |
|--|----------------------------------|---|---------------------|------|-------|
|  |                                  |   | 4-5                 | 6-12 | 13-23 |
| <b>Universal Controls Ignition/Sensing Control Modules</b> |                                  |   |                     |      |       |
| 1  | 511-330-097                      | Flame Sense Module, 24 Volt   | 1                   | 1    | 2     |
| 2  | 510-811-456                      | Universal Control System-(Includes Panel With Modules,Pilot Assembly, Wiring,Hardware and Instructions) |                     |      |       |
| 3  | 511-330-097                      | Intermittent Pilot Ignition Module, 24 Volt   |                     | 1    | 2     |
| 4  | 512-050-013                      | Terminal Block  | 1                   | 1    | 2     |
| 5  | 511-842-364                      | Control Transformer, 120/24 Volt, 75 VA Foot Mounted With Circuit Breaker                               | 1                   | 1    | 2     |
| <b>CSD-1 Controls</b>                                      |                                  |   | 5                   | 6-12 | 13-20 |
| N/S  | 511-330-086                      | Pilot Proving Module  | 1                   | 1    | 2     |
|  | 511-330-085                      | Main Flame Proving Module   | 1                   | 1    | 2     |
|  | 510-350-226                      | Impulse Relay   | 1                   | 1    | 2     |
|  |                                  |   | 1                   | 1    | 2     |
|  | 511-624-580                      | Push Button Switch  | 1                   | 1    | 2     |
|  |                                  |   | 1                   | 1    | 2     |
|  | 511-624-581                      | Lens Cover  | 1                   | 1    | 2     |
|  |                                  | Light Bulb  | 1                   | 1    | 2     |
| 510-933-195  | Pilot Regulator Set At 6.0" W.C. |   |                     |      |       |

GAS

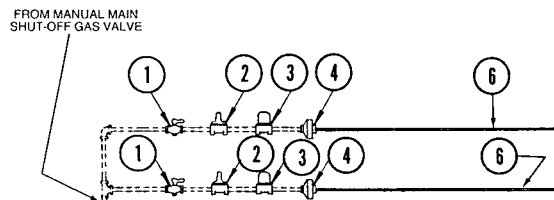
# LGB - Series 2 IRI / FM Control System



**IRA AND FM  
PILOT TRAIN GAS PIPING DIAGRAM  
LGB-6 THROUGH LGB-12 BOILERS**



**IRA AND FM  
PILOT TRAIN GAS PIPING DIAGRAM  
LGB-13 THROUGH LGB-23 BOILERS**

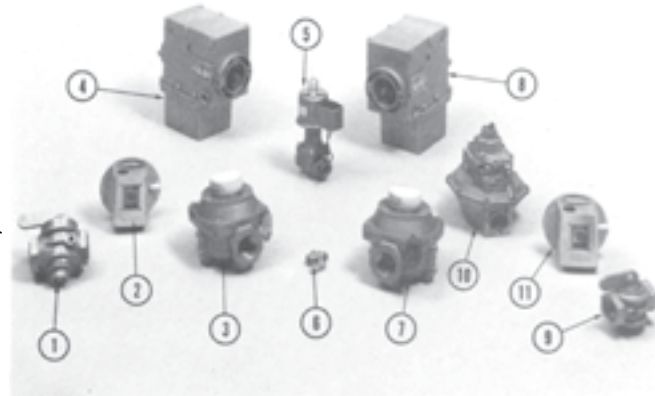
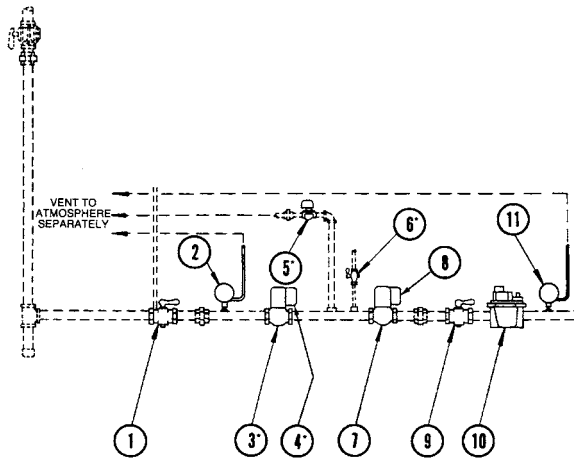


LGB - Series 2  
IRI / FM Control System Parts

| Fig. No.  | Part No.    | Description   | Qty Per Boiler Size |       |
|---|-------------|---|---------------------|-------|
|   |             |   | 6-12                | 13-23 |
| <b>IRI and FM Pilot Line Gas Train Components</b>               |             |   |                     |       |
| 1   | 511-246-345 | Pilot Line Manual Shut-Off Gas Valve, ¼" N.P.T. Male x ¼" N.P.T. Female   | 1                   | 2     |
| 2   | 510-933-195 | Pilot Line Gas Pressure Regulating Valve, 3.5-7.0" W.C. Outlet Adjustment Range, ¼" N.P.T.  | 1                   | 2     |
| 3   | 511-044-040 | Pilot Line Solenoid Gas Valve, Quick Opening, 120 Volt, ¼" N.P.T.   | 1                   | 2     |
| 4   | 560-742-915 | Pilot Line Aluminum Tubing, ¼" O.D. x 100" Coil   | 1                   | 2     |
| <b>IRI and FM Pilots, Flame Sensing and Ignition Components</b> |             |   |                     |       |
| 5   | 511-330-181 | Combination Pilot Burner With Flame Rod, Ignition Electrode, and Natural Gas Orifice, 0.026" Dia.                                   | 1                   | 1     |
| 6   | 511-330-221 | N/G PIN Pilot Burner Assembly With Pilot Burner, Orifice, Sensing Lead and Ignition Cable   |                     | 1     |
| 7   | 460-005-624 | Combination Pilot Burner Mounting Bracket   | 1                   | 2     |
| 8   | 591-850-140 | Rajah Connector, Female, Connects Sensing Cable To Q179C Pilot  | 1                   | 1     |
| 9   | 591-391-798 | Ignition Cable, 36" Long, For Q179C Pilot   | 1                   | 1     |
| 10  | 511-724-274 | Main Flame Sensor   | 1                   | 1     |
| 11  | 423-300-420 | Main Flame Sensor Mounting Bracket  | 1                   | 1     |
| 12  | 590-849-236 | Flame Rod Cable For Main Flame Sensor and Q179C Pilot (Feet Required)   | 4                   | 4     |
| 13  | 511-802-625 | Ignition Transformer, 120 Volt, 6,000 Volt Output   |                     |       |
| 14  | 511-330-097 | Pilot Proving Ignition/Sensing Control Module, 24 Volt, Q348A Pilot   | -                   | 1     |
|   |             |   | -                   | 1     |
| 15  | 510-312-166 | Control Transformer/Relay Receptacle 120/24 Volt, 40 VA, Plate Mounted, For Universal Control System (UCS) Ignition Sensing Control | -                   | 1     |
|   |             |   | -                   | 1     |

GAS

**LGB - Series 2**  
**IRI / FM Main Gas Control Train Components**  
**7" W.C. Natural Gas Supply Pressure**



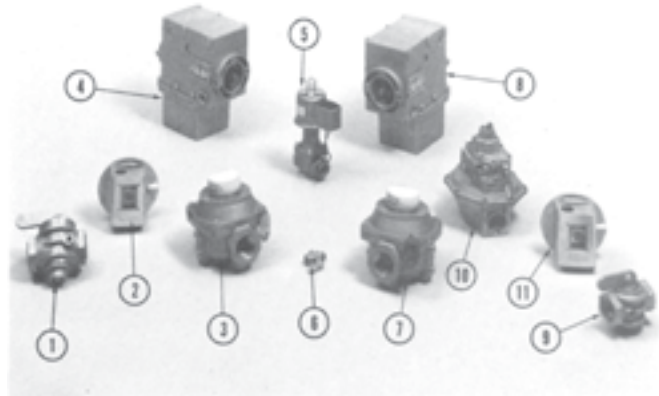
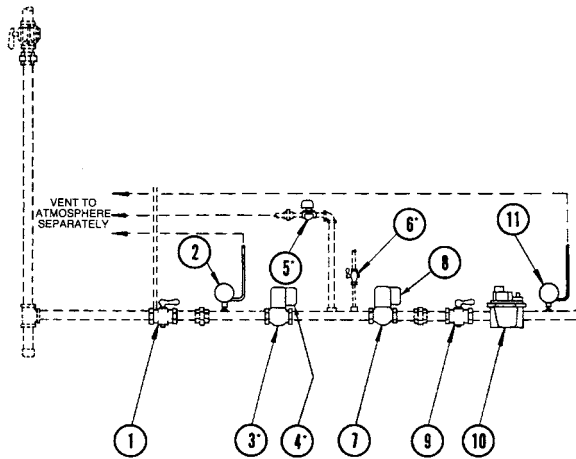
**GAS**

| Fig. No. | Part No.    | Description  | Boiler Size |
|----------|-------------|--|-------------|
| 1,9      | 511-246-325 | Manual Main Shut-Off Gas Valve, 1" N.P.T., With 1/8" N.P.T. Female Pilot Take-Off Tapping and 1/4" N.P.T. Female Downstream Pressure Tapping, Lubricated Type  | 5,6,7       |
|          | 511-246-330 | Manual Main Shut-Off Gas Valve, 1 1/4" N.P.T., With 1/8" N.P.T. Female Pilot Take-Off Tapping and 1/4" N.P.T. Female Downstream Pressure Tapping, Lubricated Type  | 8,9,10      |
|          | 511-246-300 | Manual Main Shut-Off Gas Valve, 1 1/2" N.P.T., With 1/8" N.P.T. Female Pilot Take-Off Tapping and 1/4" N.P.T. Female Downstream Pressure Tapping, Lubricated Type  | 11-18       |
|          | 511-246-305 | Manual Main Shut-Off Gas Valve, 2" N.P.T., With 1/8" N.P.T. Female Pilot Take-Off Tapping and 1/4" N.P.T. Female Downstream Pressure Tapping, Lubricated Type  | 19-23       |
| 2        | 511-624-550 | Low Gas Pressure Switch, SPDT, Manual Reset, Lockout on Pressure Fill, Diaphragm Type, 3.0-21.0" W.C. Range, 1.0-3.0" W.C. Differential, 1/4" N.P.T. Female Connector, 1/8" N.P.T. Female Vent Connector, With Switch Position Indicator | All Sizes   |
| 3,7      | 510-744-315 | Motorized Gas Valve Small Body, With 1/4" N.P.T. Female Downstream Pressure Tapping  | 5 - 17      |
| N/S      | 511-044-170 | 1" Pipe Flange Adapter For Gas Valve Body  | 5,6,7       |
|          | 511-044-171 | 1 1/4" Pipe Flange Adapter For Gas Valve Body  | 8,9,10      |
|          | 511-044-172 | 1 1/2" Pipe Flange Adapter For Gas Valve Body  | 11-18       |
|          | 511-044-173 | 2" Pipe Flange Adapter For Gas Valve Body  | 19-23       |
| 4,8      | 510-744-317 | Fluid Power Gas Valve Actuator, On/ Off, 120 Volt  | 5 -23       |
| N/S*     | 511-044-176 | Adapter For Solenoid Vent Valve (Fits Small Valve Body)  | All sizes   |
| 5*       | 511-046-340 | Solenoid Vent Valve, Normally Open, Quick Closing, 120 Volt, 3/4" N.P.T.   | 5 - 13      |
|          | 511-046-342 | Solenoid Vent Valve, Normally Open, Quick Closing, 120 Volt, 1" N.P.T.   | 14-23       |
| 6        | 511-210-415 | Test Cock, 1/4" N.P.T.   | All Sizes   |

**LGB - Series 2**  
**IRI / FM Main Gas Control Train Components**  
**7" W.C. Natural Gas Supply Pressure**

|    |             |  |           |
|----|-------------|--|-----------|
| 10 | 511-048-503 | Combination Gas Control Valve, 1" N.P.T., 120 Volt, With Low Fire Operator, High Fire Operator, and Main Pressure Regulator, 1/8" N.P.T. Downstream Pressure Tapping   | 5,6,7     |
|    | 511-048-502 | Combination Gas Control Valve, 1 1/4" N.P.T., 120 Volt, With Low Fire Operator, High Fire Operator, and Main Pressure Regulator, 1/8" N.P.T. Downstream Pressure Tapping   | 8 -10     |
|    | 511-048-501 | Combination Gas Control Valve, 1 1/2 " N.P.T., 120 Volt, With Low Fire Operator, High Fire Operator, and Main Pressure Regulator, 1/8" N.P.T. Downstream Pressure Tapping  | 11-13     |
|    | 511-048-500 | Combination Gas Control Valve, 2" N.P.T., 120 Volt, With Low Fire Operator, High Fire Operator, and Main Pressure Regulator, 1/8" N.P.T. Downstream Pressure Tapping   | 14-23     |
| 11 | 511-624-555 | High Gas Pressure Switch, SPDT, Manual Reset, Lockout on Pressure Rise, Diaphragm Type, 3.0- 21.0" W.C. Range, 1.0-3.0" W.C. Differential, 1/4" N.P.T. Female Connector, 1/8" N.P.T. Female Vent Connector, With Switch Position Indicator | All Sizes |

**LGB - Series 2**  
**IRI / FM Main Gas Control Train Components**  
**5.5" W.C. Natural Gas Supply Pressure**



| Fig. No. | Part No.    | Description   | Boiler Size |
|----------|-------------|---|-------------|
| 1,9      | 511-246-330 | Manual Main Shut-Off Gas Valve, 1¼" N.P.T., With ⅛" N.P.T. Female Pilot Take-Off Tapping and ¼" N.P.T. Female Downstream Pressure Tapping, Lubricated Type  | 5,6,7       |
|          | 511-246-300 | Manual Main Shut-Off Gas Valve, 1½" N.P.T., With ⅛" N.P.T. Female Pilot Take-Off Tapping and ¼" N.P.T. Female Downstream Pressure Tapping, Lubricated Type  | 8           |
|          | 511-246-305 | Manual Main Shut-Off Gas Valve, 2" N.P.T., With ⅛" N.P.T. Female Pilot Take-Off Tapping and ¼" N.P.T. Female Downstream Pressure Tapping, Lubricated Type   | 9 - 17      |
|          | 511-246-310 | Manual Main Shut-Off Gas Valve, 2½" N.P.T., With ¼" N.P.T. Female Pilot Take-Off Tapping and ¼" N.P.T. Female Downstream Pressure Tapping, Lubricated Type  | 18 - 20     |
|          | 511-210-431 | Manual Main Shut-Off Gas Valve, 3" N.P.T., With ¼" N.P.T. Female Pilot Take-Off Tapping and ¼" N.P.T. Female Downstream Pressure Tapping, Lubricated Type   | 21-23       |
| 2        | 511-624-550 | Low Gas Pressure Switch, SPDT, Manual Reset, Lockout on Pressure Fill, Diaphragm Type, 3.0-21.0" W.C. Range, 1.0-3.0" W.C. Differential, ¼ " N.P.T. Female Connector, ⅛" N.P.T. Female Vent Connector, With Switch Position Indicator | All Sizes   |
| 3,7      | 510-744-315 | Motorized Gas Valve Small Body, With ¼" N.P.T. Female Downstream Pressure Tapping   | 5 - 17      |
| N/S      | 511-044-171 | 1¼" Pipe Flange Adapter For Gas Valve Body  | 5,6,7       |
|          | 511-044-172 | 1½" Pipe Flange Adapter For Gas Valve Body  | 8           |
|          | 511-044-173 | 2" Pipe Flange Adapter For Gas Valve Body   | 9 - 17      |
| 3,7      | 510-744-316 | Motorized Gas Valve Large Body, With ¼" N.P.T. Female Downstream Pressure Tapping   | 18 - 23     |
| N/S      | 511-044-174 | 2½" Pipe Flange Adapter For Gas Valve Body  | 18 - 20     |
| N/S      | 511-044-175 | 3" Pipe Flange Adapter For Gas Valve Body   | 21 - 23     |
| 4,8      | 510-744-317 | Fluid Power Gas Valve Actuator, On/Off, 120 Volt  | 5 -23       |
| N/S*     | 511-044-176 | Adapter For Solenoid Vent Valve (Fits Small Valve Body)   | 5 - 17      |
|          | 511-044-177 | Adapter For Solenoid Vent Valve (Fits Large Valve Body)   | 18 - 23     |

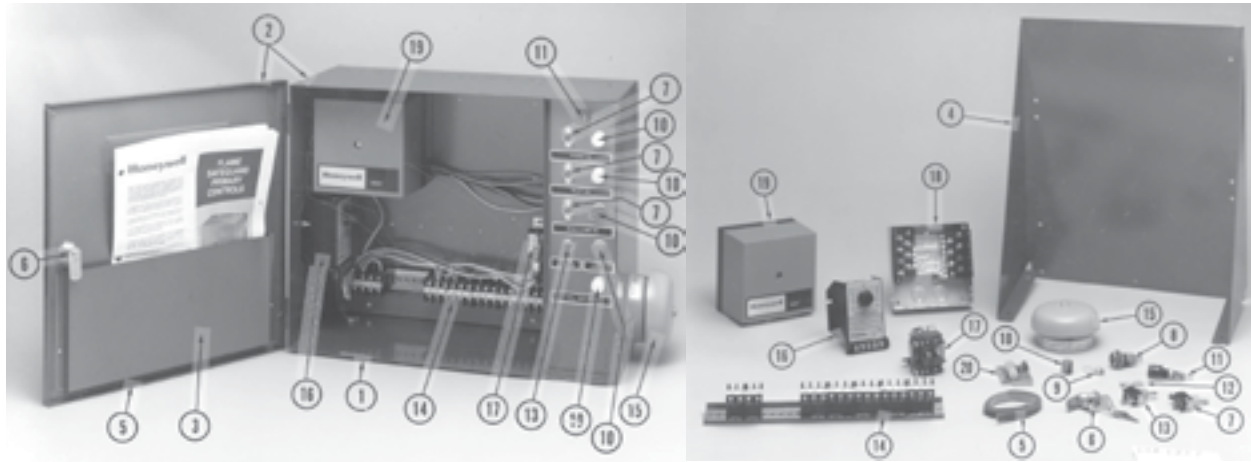
**GAS**



**LGB - Series 2**  
**IRI / FM Main Gas Control Train Components**  
**5.5" W.C. Natural Gas Supply Pressure**

|    |             |   |           |
|----|-------------|---|-----------|
| 5* | 511-046-340 | Solenoid Vent Valve, Normally Open, Quick Closing, 120 Volt, ¾" N.P.T.  | 5 - 8     |
|    | 511-046-342 | Solenoid Vent Valve, Normally Open, Quick Closing, 120 Volt, 1" N.P.T.  | 9 - 17    |
|    | 511-046-344 | Solenoid Vent Valve, Normally Open, Quick Closing, 120 Volt, 1¼" N.P.T.   | 18 - 23   |
| 6  | 511-210-415 | Test Cock, ¼" N.P.T.  | All Sizes |
| 10 | 511-048-502 | Combination Gas Control Valve, 1¼" N.P.T., 120 Volt, With Low Fire Operator, High Fire Operator, and Main Pressure Regulator, ⅝" N.P.T. Downstream Pressure Tapping   | 5 - 7     |
|    | 511-048-501 | Combination Gas Control Valve, 1½" N.P.T., 120 Volt, With Low Fire Operator, High Fire Operator, and Main Pressure Regulator, ⅝" N.P.T. Downstream Pressure Tapping   | 8         |
|    | 511-048-500 | Combination Gas Control Valve, 2" N.P.T., 120 Volt, With Low Fire Operator, High Fire Operator, and Main Pressure Regulator, ⅝" N.P.T. Downstream Pressure Tapping  | 9 - 23    |
| 11 | 511-624-555 | High Gas Pressure Switch, SPDT, Manual Reset, Lockout on Pressure Rise, Diaphragm Type, 3.0-21.0" W.C. Range, 1.0-3.0" W.C. Differential, ¼" N.P.T. Female Connector, ⅝" N.P.T. Female Vent Connector, With Switch Position Indicator | All Sizes |

**LGB-6 Through LGB-12 - Series 2**  
**IRI / FM Flame Guardian WMBC-1A Control System**  
**Pilot Proving / Main Flame Proving System**



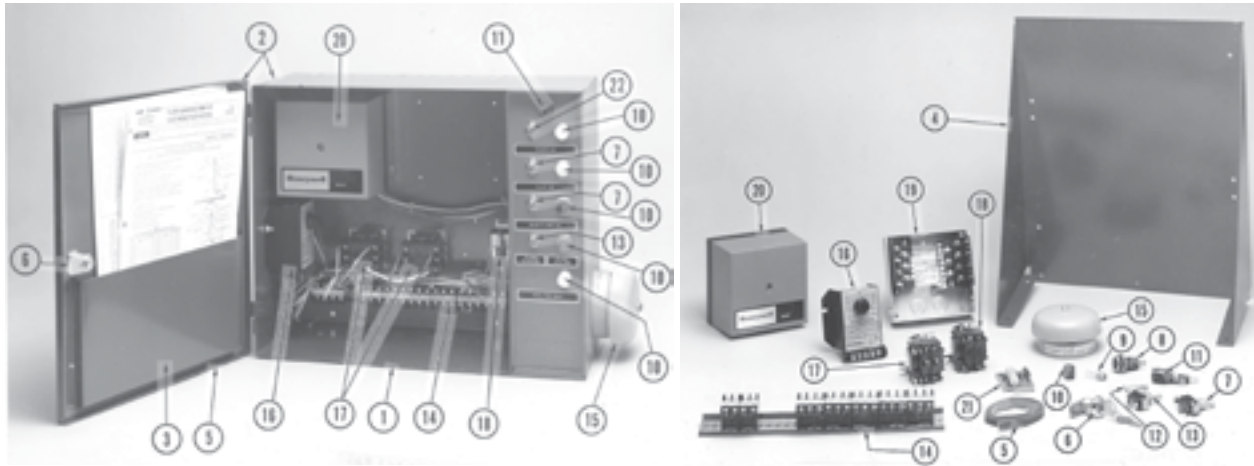
| Fig. No. | Part No.    | Description  | Qty Per System |
|----------|-------------|--|----------------|
| 6        | 591-850-003 | Door Lock and Key set (Two keys)   | 1 Set          |
| 7        | 511-624-575 | Power on Manual Toggle Switch, SPST, 24 Volt or 120 Volt   | 1              |
| 8        | 591-850-205 | Indicating Lamp Holder, 24 Volt or 120 Volt  | 2              |
| 9        | 591-850-370 | Indicating Lamp Bulb, 24 Volt, Incandescent  | 2              |
| 10       | 591-850-200 | Indicating Lamp Lens, Lexan, Screw-On White, Power On  | 1              |
|          | 591-850-200 | Indicating Lamp Lens, Lexan, Screw-On White, Call For Heat   | 1              |
|          | 591-850-201 | Indicating Lamp Lens, Lexan, Screw-On Blue, Gas Valve On   | 1              |
|          | 591-850-202 | Indicating Lamp Lens, Lexan, Screw On Yellow, Pilot On   | 1              |
|          | 591-850-203 | Indicating Lamp Lens, Lexan, Screw-On Red, Flame Failure   | 1              |
| 11       | 591-850-180 | Fuse Holder Panel, 24 Volt or 120 Volt   | 1              |
| 12       | 591-850-183 | Fuse, 24 Volt, 6 Amps  | 1              |
| 13       | 511-624-576 | Manual Toggle Switch, SPDT, 24 Volt or 120 Volt, Used For Alarm Silencing  | 1              |
| 15       | 511-802-615 | Alarm Bell, 4" Dia., 120 Volt, Designed For Cabinet Mounting   | 1              |
| 16       | 510-350-430 | Purge Timer Kit, 120 Volt, 0-5 Min., Adjustable Delay, Provides 5 Minute Enforced Wait-Purge In The Event of Flame Failure   | 1              |
| 17       | 510-311-012 | Control Relay, DPDT, 120 Volt Holding Coil   | 1              |
| 18       | 510-350-433 | Flame Safeguard Control Mounting and Wiring Sub-base, Four Sides   | 1              |
| 19       | 510-350-431 | Flame Safeguard Burner Primary Control, Flame Rectification, 120 Volt, 3 sec. Nominal Flame Response Timing, 10 sec. Timed Trial For Pilot, 10 sec. Timed Trial For Main Flame, Lock-Out on interlocking Contact Failure | 1              |
| 20       | 510-350-432 | Flame Safeguard Control Plug-in Pre-Purge Timer, 2 Sec. Purge  | 1              |

GAS

LGB-6 Through LGB-12 - Series 2  
 IRI / FM Flame Guardian WMBC-1A Control System  
 Pilot Proving / Main Flame Proving System Continued

| Fig. No. | Part No.    | Description     | Qty Per System |
|----------|-------------|-----------------|----------------|
| N/S      | 510-350-434 | Flame Amplifier |                |
|          | 510-350-435 | Display Module  |                |

**LGB-13 Through LGB-23 - Series 2**  
**IRI / FM Flame Guardian WMBC-2A Control System**  
**Pilot Proving / Main Flame Proving System**



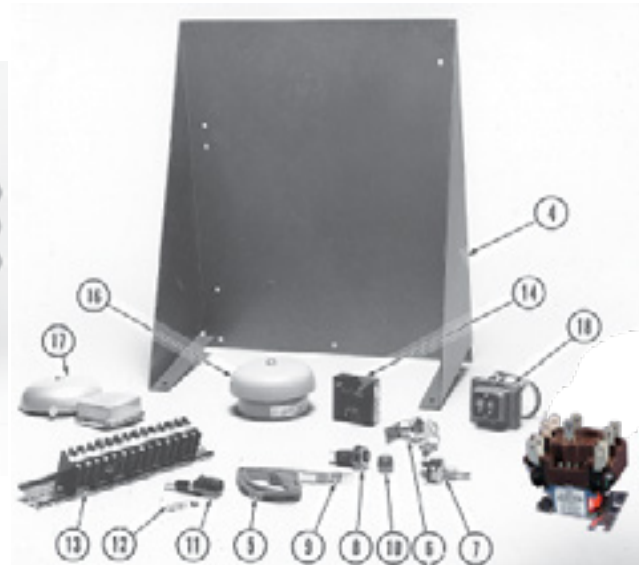
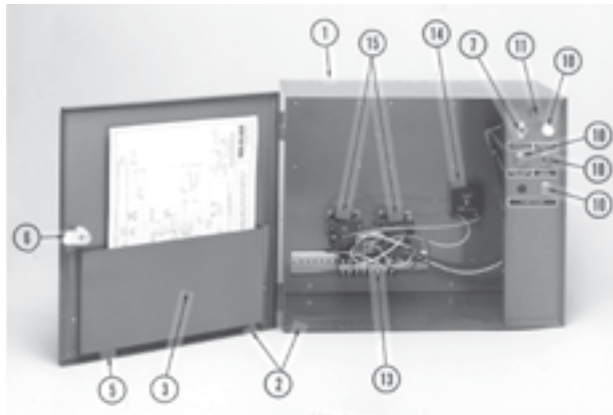
| Fig. No. | Part No.    | Description  | Qty Per System |
|----------|-------------|--|----------------|
| 6        | 591-850-003 | Door Lock and Key Set (Two keys)   | 1              |
| 7        | 511-624-575 | Power on Manual Toggle Switch, SPST, 24 Volt or 120 Volt   | 3              |
| 8        | 591-850-205 | Indicating Lamp Holder, 24 Volt or 120 Volt  | 5              |
| 9        | 591-850-370 | Indicating Lamp Bulb, 24 Volt, Incandescent  | 5              |
| 10       | 591-850-200 | Indicating Lamp Lens, Lexan, Screw-On White, Power On  | 1              |
|          | 591-850-200 | Indicating Lamp Lens, Lexan, Screw-On White, Call For Heat   | 1              |
|          | 591-850-201 | Indicating Lamp Lens, Lexan, Screw-On Blue, Gas Valve On   | 1              |
|          | 591-850-202 | Indicating Lamp Lens, Lexan, Screw-On Yellow, Pilot On   | 1              |
|          | 591-850-203 | Indicating Lamp Lens, Lexan, Screw-On Red, Flame Failure   | 1              |
| 11       | 591-850-180 | Fuse Holder Panel, 24 Volt or 120 Volt   | 2              |
| 12       | 591-850-183 | Fuse, 24 Volt, 6 Amps  | 2              |
| 13       | 511-624-576 | Manual Toggle Switch, SPDT, 24 Volt or 120 Volt, Used For Alarm Silencing  | 1              |
| 14       | 512-050-026 | Terminal Block Set   | 1              |
| 15       | 511-802-615 | Alarm Bell, 4" Dia., 120 Volt, Designed For Cabinet Mounting   | 1              |
| 16       | 510-350-430 | Purge Timer Kit, 120 Volt, 0-5 Min., Adjustable Delay, Provides 5 Minute Enforced Wait-Purge In The Event of Flame Failure   | 1              |
| 17       | 510-311-012 | Control Relay, DPDT, 120 Volt Holding Coil   | 1              |
| 18       | 510-350-221 | Control Relay, SPST, 24 Volt Holding Coil  | 2              |
| 19       | 510-350-433 | Flame Safeguard Control Mounting and Wiring Sub-base, Four Sides   | 1              |
| 20       | 510-350-431 | Flame Safeguard Burner Primary Control, Flame Rectification, 120 Volt, 3 sec. Nominal Flame Response Timing, 10 sec. Timed Trial For Pilot, 10 sec. Timed Trial For Main Flame, Lock-Out on interlocking Contact Failure | 1              |
| 21       | 510-350-432 | Flame Safeguard Control Plug-in Pre-Purge Timer, 2 Sec. Purge  | 1              |
| 22       | 511-624-578 | Manual Toggle Switch, Used For Power On, Reset   | 1              |

GAS

LGB-13 Through LGB-23 - Series 2  
IRI / FM Flame Guardian WMBC-2A Control System  
Pilot Proving / Main Flame Proving System Continued

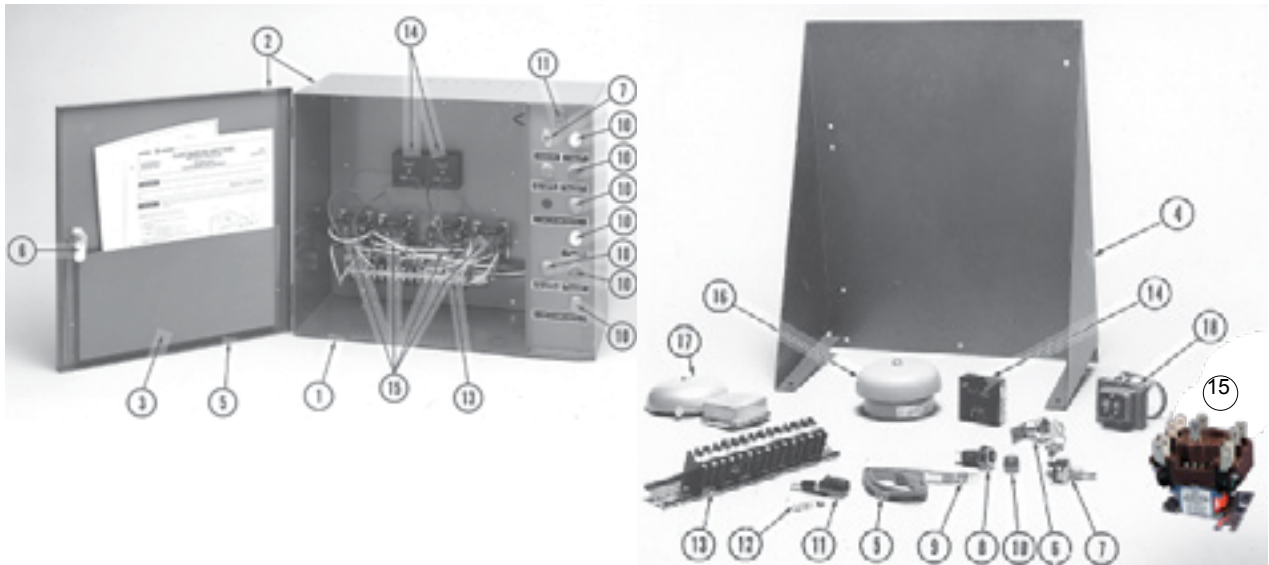
| Fig. No. | Part No.    | Description     | Qty Per System |
|----------|-------------|-----------------|----------------|
| N/S      | 510-350-434 | Flame Amplifier |                |
|          | 510-350-435 | Display Module  |                |

**LGB-6 Through LGB-12 - Series 2  
Flame Guardian WFFP-1 Control System  
Pilot Proving / Main Flame Proving System**



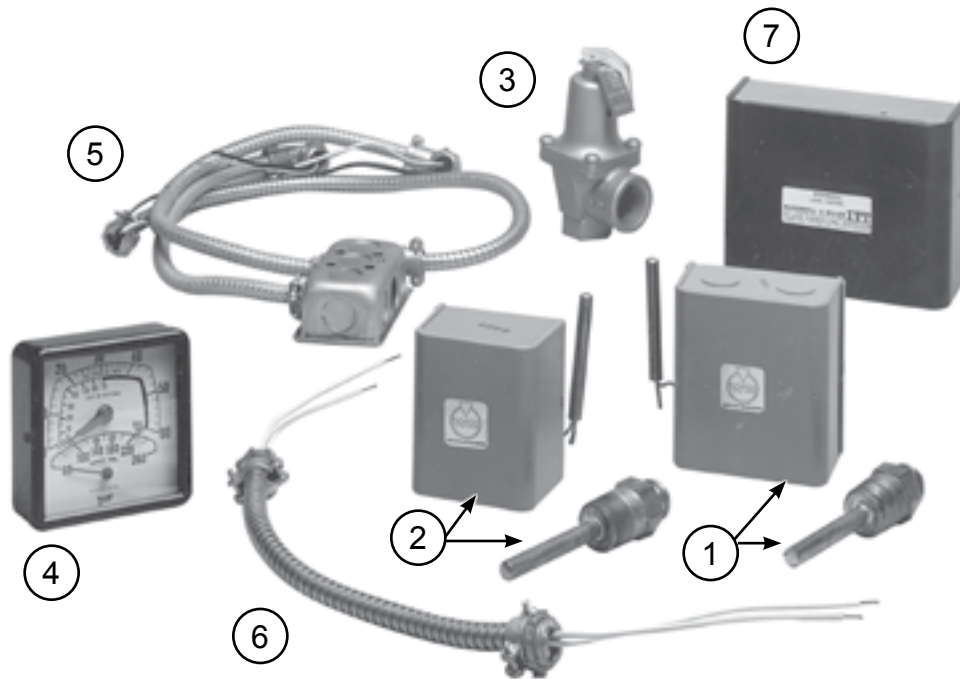
| Fig. No. | Part No.    | Description   | Qty Per WFFP-1 System |
|----------|-------------|---|-----------------------|
| 6        | 591-850-003 | Door Lock and Key Set (Two Keys)                                    | 1 Set                 |
| 7        | 511-624-575 | Power In Manual Toggle Switch, SPST, 24 Volt or 120 Volt            | 1                     |
| 8        | 591-850-205 | Indicating Lamp Holder, 24 Volt or 120 Volt                         | 4                     |
| 9        | 591-850-365 | Indicating Lamp Bulb, 24 Volt, Incandescent                         | 4                     |
| 10       | 591-850-200 | Indicating Lamp Lens, Lexan, Screw-On Type-white, Call For Heat     |                       |
|          | 591-850-201 | Indicating lamp Lens, Lexan, Screw-On Type-Blue, Pilot Proven       | 1                     |
|          | 591-850-210 | Indicating Lamp Lens, Lexan, Screw-On Type-Green, Main Flame Proven |                       |
|          | 591-850-203 | Indicating Lamp Lens, Lexan Screw-On Type-Red, Flame failure        | 1                     |
| 11       | 591-850-180 | Fuse Holder Panel, 24 Volt or 120 Volt                              | 1                     |
| 12       | 591-850-183 | Fuse, 24 Volt, 6 Amps   | 1                     |
| 13       | 512-050-026 | Terminal Block Set  | 1                     |
| 14       | 570-350-370 | Delay Timer, 24 Volt, 5 Min. Delay                                  | 1                     |
| 16       | 511-802-615 | Alarm Bell, 4" Dia., 120 Volt, Designed For Cabinet Mounting        |                       |
| 17       | 511-802-621 | Alarm Bell, 2" Dia., 12 Volt, Designed For Remote Mounting          |                       |
| 18       | 511-802-620 | Transformer, 120/12 Volt, For Use With 2" Dia. Alarm Bell           |                       |

**LGB-13 Through LGB-23 - Series 2  
Flame Guardian WFFP-2 Control System  
Pilot Proving / Main Flame Proving System  
With Prewired Control Cabinet**



| Fig. No. | Part No.    | Description   | Qty Per WFFP-2 System |
|----------|-------------|---|-----------------------|
| 1        | 383-300-190 | WFFP-2 Flame Guardian Control System - Complete With Cabinet, Internal Components, and Mounting Bracket | 1                     |
| 6        | 591-850-003 | Door Lock and Key Set (Two Keys)  | 1 Set                 |
| 7        | 511-624-575 | Power On Manual Toggle Switch, SPST, 24 Volt or 120 Volt  | 1                     |
| 8        | 591-850-205 | Indicating Lamp Holder, 24 Volt or 120 Volt   | 8                     |
| 9        | 591-850-365 | Indicating Lamp Bulb, 24 Volt, Incandescent   | 8                     |
| 10       | 591-850-200 | Indicating Lamp Lens, Lexan, Screw-On White, Power On   | 2                     |
|          | 591-850-201 | Indicating Lamp Lens, Lexan, Screw-On Blue, Gas Valve On  | 2                     |
|          | 591-850-210 | Indicating Lamp Lens, Lexan, Screw-On Blue, Pilot Proven  | 2                     |
|          | 591-850-203 | Indicating Lamp Lens, Lexan, Screw-On Red, Flame Failure  | 2                     |
| 11       | 591-850-180 | Fuse Holder Panel, 24 Volt or 120 Volt  | 1                     |
| 12       | 591-850-183 | Fuse, 24 Volt, 6 Amps   | 1                     |
| 13       | 512-050-026 | Terminal Block Set  | 1                     |
| 14       | 570-350-370 | Delay Timer, 24 Volt, 5 Min. Delay  | 2                     |
| 15       | 510-311-019 | Control Relay, DPDT, 24 Volt Holding Coil   | 4                     |
| 19       | 511-802-615 | Alarm Bell, 4" Dia., 120 Volt, Designed For Cabinet Mounting  |                       |
| 17       | 511-802-621 | Alarm Bell, 2" Dia., 120 Volt, Designed For Cabinet Mounting  |                       |
| 18       | 511-802-620 | Transformer, 120/12 Volt, For Use On 2" Dia. Alarm Bell   |                       |

## LGB - Series 2 Water Trim



| Fig. No. | Part No.    | Description  | Boiler Size    |
|----------|-------------|--|----------------|
| 1        | 510-312-065 | Combination Operating and High Limit Control, DPST, Automatic Recycle, Less Well.<br>Operating Limit: 100 - 220° Range With 10-35°F Adjustable Subtractive Differential. High Limit: 140-240°F Range With 10°F Fixed Subtractive Differential. | 4 - 20         |
| 2        | 510-312-209 | High Limit Temperature Control, SPST Automatic Recycle, 140-240°F Range, 10°F Fixed Subtractive Differential With ¾" N.P.T. Control Well (Separate Controls Used For Operating and High Limit Function For LGB-21 Through LGB-23 Boilers)      | 21 - 23        |
| 3        | 383-600-091 | ASME Pressure Relief Valve, Set To Relieve At 30 PSIG, ¾" N.P.T. Male Inlet x ¾" N.P.T. Female Outlet; Side Outlet Type  | 4 - 5<br>4 - 5 |
|          | 383-600-063 | ASME Pressure Relief Valve, Set To Relieve At 30 PSIG, ¾" N.P.T. Male Inlet x 1" N.P.T. Female Outlet; Side Outlet Type  | 6 - 9          |
|          | 383-600-092 | ASME Pressure Relief Valve, Set To Relieve At 30 PSIG, 1" N.P.T. Male Inlet x 1¼" N.P.T. Female Outlet; Side Outlet Type   | 10 - 13        |
|          | 383-600-093 | ASME Pressure Relief Valve, Set To Relieve At 30 PSIG, 1¼" N.P.T. Male Inlet x 1½" N.P.T. Female Outlet; Side Outlet Type  | 14 - 20        |
|          | 383-600-094 | ASME Pressure Relief Valve, Set To Relieve At 30 PSIG, 1½" N.P.T. Male Inlet x 2" N.P.T. Female Outlet; Side Outlet Type   | 21 - 23        |
| 4        | 510-218-065 | Combination Pressure-Temperature Gauge, 0-50 PSIG, 60-260°F Back Connection, ½" N.P.T.   | All Sizes      |
| 5        | 591-319-793 | Temperature Control Wiring Harness   | 21 - 23        |
| 6        | 591-319-801 | Water Trim Wiring Harness  | 4-23           |
| 7        | 511-114-528 | Electrode Type Low Water Cut-Off, 120 Volt, SPDT, Automatic Recycle, 160 PSIG Rated, ½" N.P.T. Male Electrode  | All Sizes      |
| N/S      | 592-300-006 | Well, ¾" N.P.T   |                |

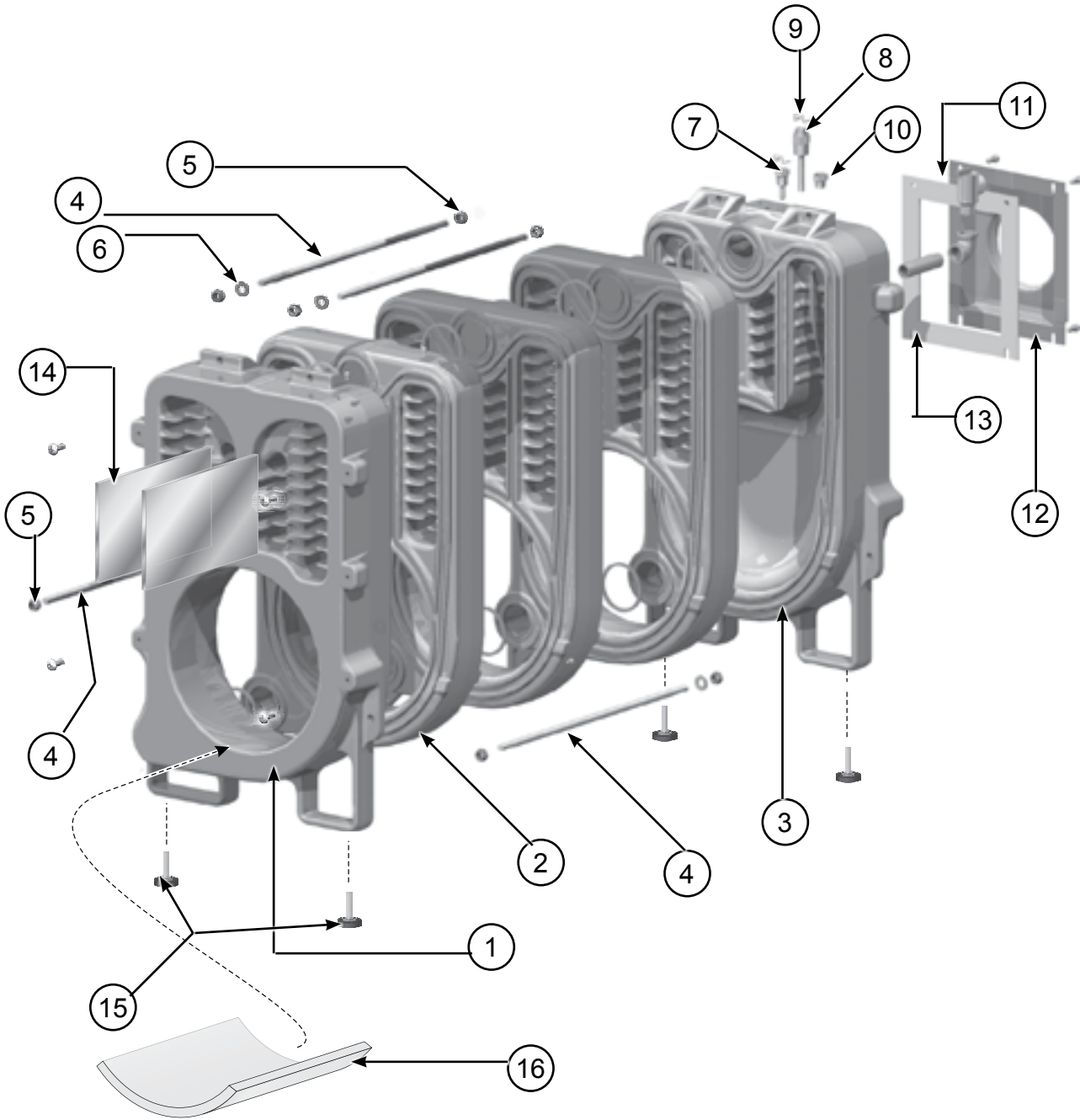


## LGB - Series 2 Steam Trim



| Fig. No. | Part No.    | Description  | Boiler Size |
|----------|-------------|--|-------------|
| 1        | 510-312-135 | High Limit Steam Pressure Control, SPST, Automatic Recycle, 0-9 PSIG Range, 0-5 PSIG Adjustable Additive Differential, Bottom Connection, 1/4" N.P.T. Male | All         |
|          | 510-312-106 | High Limit Steam Pressure Control, SPST, Automatic Recycle, 0-9 PSIG Range, 0-5 PSIG Adjustable Additive Differential, Bottom Connection, 1/4" N.P.T. Male | All         |
| 2        | 383-600-107 | ASME Steam Safety Relief Valve, Set To Relieve At 15 PSIG, Side Outlet, 1" N.P.T. Male Inlet x 1" N.P.T. Female Outlet, 643 Lbs/Hr Capacity                | 4 - 7       |
|          | 383-600-108 | ASME Steam Safety Relief Valve, Set To Relieve At 15 PSIG, Side Outlet, 1 1/4" N.P.T. Male Inlet x 1 1/2" N.P.T. Female Outlet, 1200 Lbs/Hr Capacity       | 8 - 12      |
|          | 383-600-109 | ASME Steam Safety Relief Valve, Set To Relieve At 15 PSIG, Side Outlet, 1 1/2" N.P.T. Male Inlet x 2" N.P.T. Female Outlet, 1900 Lbs/Hr Capacity           | 13 - 19     |
|          | 383-600-110 | ASME Steam Safety Relief Valve, Set To Relieve At 15 PSIG, Side Outlet, 2" N.P.T. Male Inlet x 2" N.P.T. Female Outlet, 2500 Lbs/Hr Capacity               | 20 - 23     |
| 3        | 510-218-100 | Combination Pressure-Vacuum Gauge, 0-30 PSIG, 0-30" Hg., 4 1/2" Dial, Bottom Connection, 1/4" N.P.T. Spec 04459  | All         |
| 4        | 383-600-002 | Water Gauge Glass Kit, 5/8" x 10 5/8" With Gaskets and Brass Washers   | All         |
| 5        | 563-334-595 | Water Gauge Glass Guard, 3/16" Dia. X 12 1/2" Long (2 Per Gauge Glass)   | All         |
| 6        | 510-218-145 | Water Gauge Glass Cocks, Set 1/2" N.P.T. Male Inlet  | All         |
| 7        | 511-114-474 | Float Type Low Water Cut-Off, SPCT, Automatic Recycle, 14 PSIG Rated, 1" N.P.T.  | All         |
| 8        | 591-319-800 | Steam Trim Wiring Harness  | All         |

# Ultra Oil - Series 1 Through 3 Section Assembly

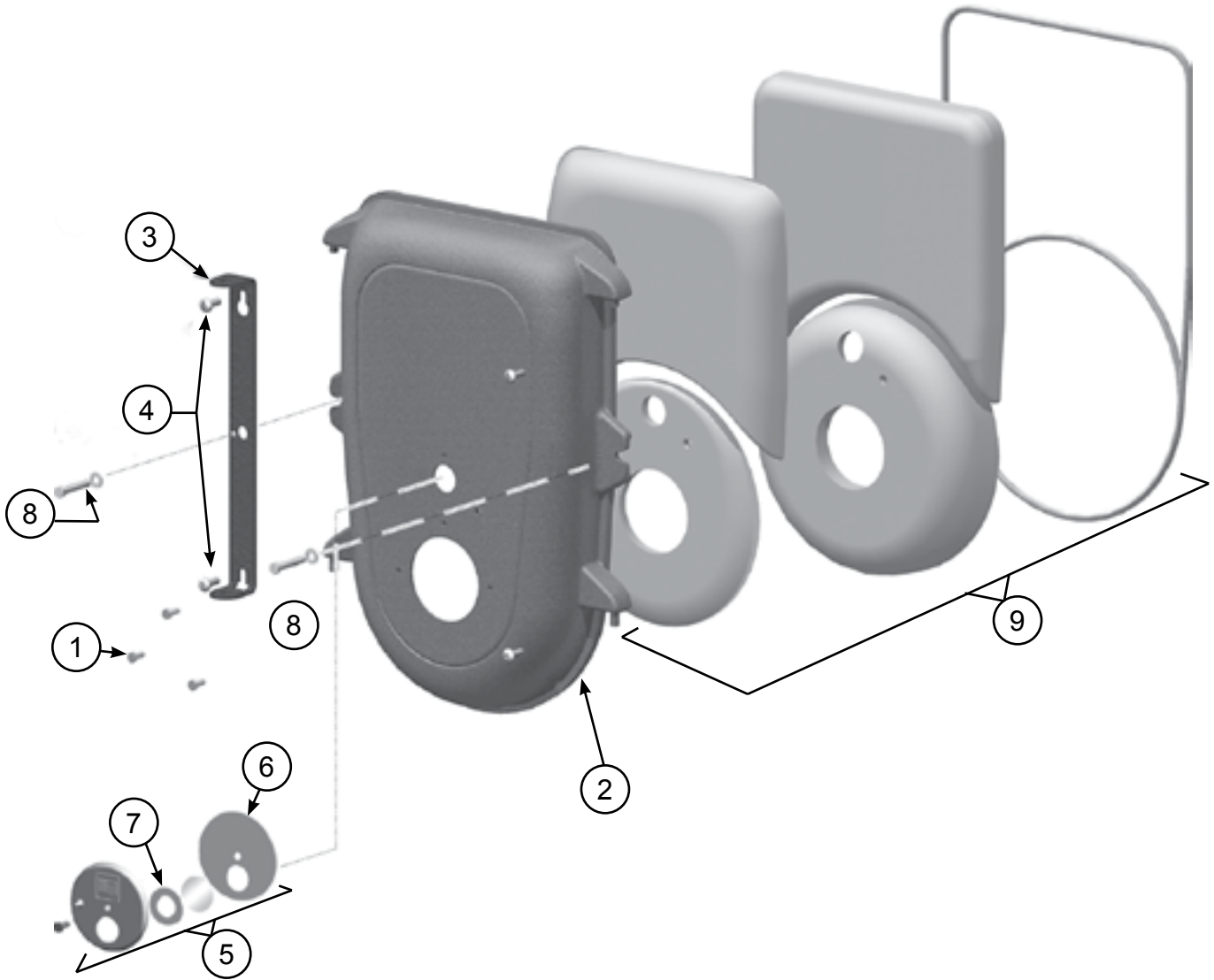


OIL

## Ultra Oil - Series 1 Through 3 Section Assembly Parts

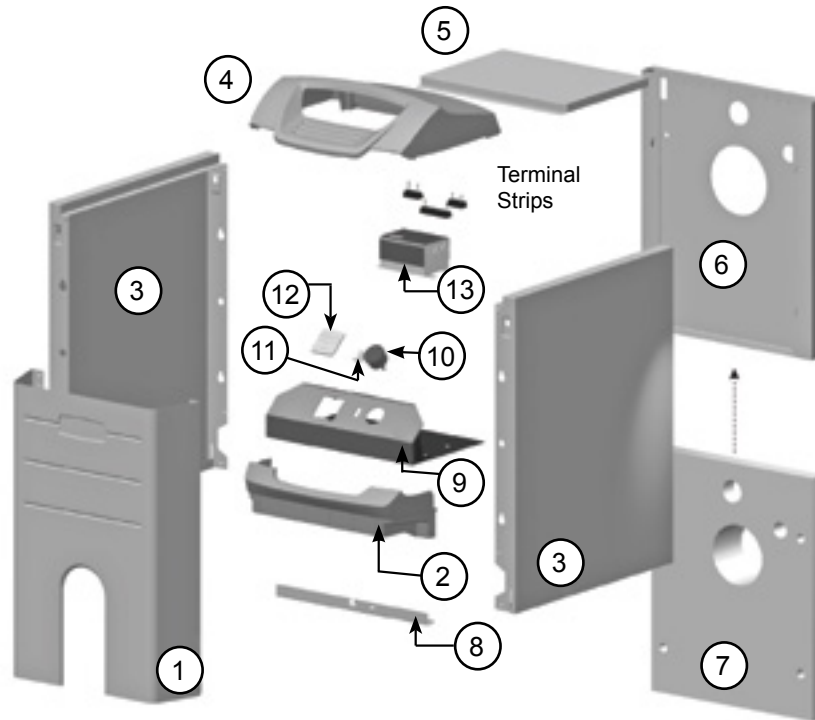
| Fig. No.  | Part No.    | Description   |
|---|-------------|---|
| 1   | 316-900-200 | Boiler Front Section  |
| 2   | 316-900-210 | Boiler Intermediate Section   |
| 3   | 316-900-220 | Boiler Back Section   |
| N/S   | 383-600-114 | UO-3 Section Assembly   |
|   | 383-600-115 | UO-4 Section Assembly   |
|   | 383-600-116 | UO-5 Section Assembly   |
| 4   | 560-234-468 | Tie Rods (4 Required) UO-3  |
|   | 560-234-472 | Tie Rods (4 Required) UO-4  |
|   | 560-234-477 | Tie Rods (4 Required) UO-5  |
| 5   | 561-928-221 | Nuts (8 Required) - 1/2" ZP - Purchase Locally  |
| 6   | 562-248-668 | Washers (4 Required)  |
| 7   | 592-300-025 | P/T Gauge Temperature Sensor Well   |
| 8   | 592-300-026 | Aquastat Well 3/4" x 4 1/4"   |
| 9   | 512-400-001 | Mounting Clip For P/T Gauge and Limit Well  |
| 10  | 512-400-000 | P/T Gauge Pressure Sensor Check Valve   |
| 12  | 446-900-000 | Flue Collar   |
| 13  | 590-318-028 | Flue Collar Gasket  |
| N/S   | 386-902-002 | Flue Collar Replacement Kit (Includes Flue Collar Plate, Gasket, and 4 Bolts)             |
| 14  | 452-800-455 | Flueway Baffles - (For UO-3, 1.0 GPH Input <b>SERIES 1 &amp; 2 ONLY</b> ) (Two Required)  |
| N/S   | 386-902-004 | Front/Intermediate Section Replacement Kit (Includes: Seals & Rope)                       |
|   | 386-902-003 | Back Section Replacement Kit (Includes: Seals, Rope, Flue Gasket)                         |
| 15  | 386-902-013 | Leveling Legs (4)   |
| 16  | 591-221-287 | UO-3 Combustion Chamber Floor Blanket   |
|   | 591-221-288 | UO-4 Combustion Chamber Floor Blanket <b>-(Series 3 Only)</b>                             |
|   | 591-221-292 | UO-5 Combustion Chamber Floor Blanket <b>-(Series 3 Only)</b>                             |
| N/S   | 591-706-241 | Flueway Brush   |
|   | 572-800-021 | 3.5" Square Cut Seal For Top and Bottom   |
|   | 383-500-095 | ASME Pressure Relief Valve, Set To Relief At 30 PSIG, 3/4" Male Inlet, 3/4" Female Outlet |
| <b>Flue Way Baffles Required For Series 3 Boilers</b> |             |   |
| 14  | 330-100-211 | UO 3 / UO3R- Requires 2 Baffles   |
|   | 330-100-212 | UO 4 - Requires 2 Baffles   |
|   | 330-100-213 | UO 5 - Requires 2 Baffles   |

## Ultra Oil - Series 1 Through 3 Burner Door Parts



| Fig. No. | Part No.         | Description   |
|----------|------------------|---|
| 1        | Purchase locally | Burner Flange Bolts (3) Each, 5/16"-18 x 3/4" Hex HD SS   |
| N/S      | 340-003-850      | Burner Door Assembly - (Includes Parts In Figure 2, 5, and 9)   |
| 2        | 330-054-308      | Burner Door   |
| 3        | 466-900-000      | Burner Door Hinge Bracket   |
| 4        | Purchase locally | Hinge Bracket Screws (2 Required), 3/8"-16 X 1  |
| 5        | 386-902-000      | Observation Port Assembly (Includes: Observation Port, Bolt, Observation Port Gasket, Sight Glass Gasket, Sight Glass, Water Glass) |
| 6        | 590-318-027      | Observation Port Gasket (Requires Water Glass Adhesive)   |
| N/S      | 591-632-612      | Water Glass For Observation Port Gasket   |
| 7        | 590-317-580      | Sight Glass Gasket  |
| 8        | Purchase locally | Burner Door Retainer Bolts and Washers (2) Each, 3/8"-16 X 2" Hex HD ZP   |
| 9        | 386-902-001      | Burner Door Insulation Kit (Includes: Refractories, Insulation, Blankets & Rope)  |
| N/S      | 386-902-015      | Beckett Air Adapter Kit For NX Burner   |

## Ultra Oil - Series 1 Through 3 Jacket / Control Parts



| Fig. No. | Part No.    | Description  |
|----------|-------------|--|
| 1        | 386-902-005 | Jacket Front Panel Assembly (Includes: Sheet Metal Plastic Striker)  |
| 2        | 595-000-009 | Jacket Front Panel Plastic   |
| 3        | 426-900-002 | Jacket Side Panel (Left and Right Sides Are The Same) UO-3   |
|          | 426-900-003 | Jacket Side Panel (Left and Right Sides Are The Same) UO-4   |
|          | 426-900-004 | Jacket Side Panel (Left and Right Sides Are The Same) UO-5   |
| 4        | 595-000-039 | Control Pod Cover  |
| 5        | 426-900-005 | Jacket Top Panel UO-3  |
|          | 426-900-006 | Jacket Top Panel UO-4  |
|          | 426-900-007 | Jacket Top Panel UO-5  |
| 6        | 426-900-001 | Jacket Rear Panel (If Required Order Insulation Below)   |
| 7        | 591-222-181 | Jacket Rear Panel Insulation   |
| 8        | 426-900-008 | Jacket Cross-tie ( <b>SERIES 1 ONLY</b> )  |
| N/S      | 591-222-178 | Boiler Insulation UO-3   |
|          | 591-222-179 | Boiler Insulation UO-4   |
|          | 591-222-180 | Boiler Insulation UO-5   |
| 9        | 386-902-008 | Control Tray Assembly (Includes: Tray, Limit Control, Terminal Strips ,P/T Gauge, On/Of Switch, Wiring, Labels) ( <b>SERIES 1 ONLY</b> ) |
| 10       | 510-218-052 | Pressure/Temperature Gauge   |
| 11       | 511-624-645 | ON/OFF Switch  |
| 12       | 595-000-010 | Weil-McLain Logo Plate   |
| 13       | 386-902-006 | High Limit Control Honeywell L7248L-1030 ( <b>SERIES 1 ONLY</b> )  |
| N/S      | 386-902-011 | Wire Harness Kit - (Includes Low and High Voltage Harness)   |
|          | 510-512-270 | Barometric Draft Control   |
|          | 511-724-291 | Limit Control Sensor   |
|          | 386-902-016 | Kit Strike and Latch   |
|          | 592-002-032 | Touch Up Paint - Putty - Low E 4.5oz Can   |

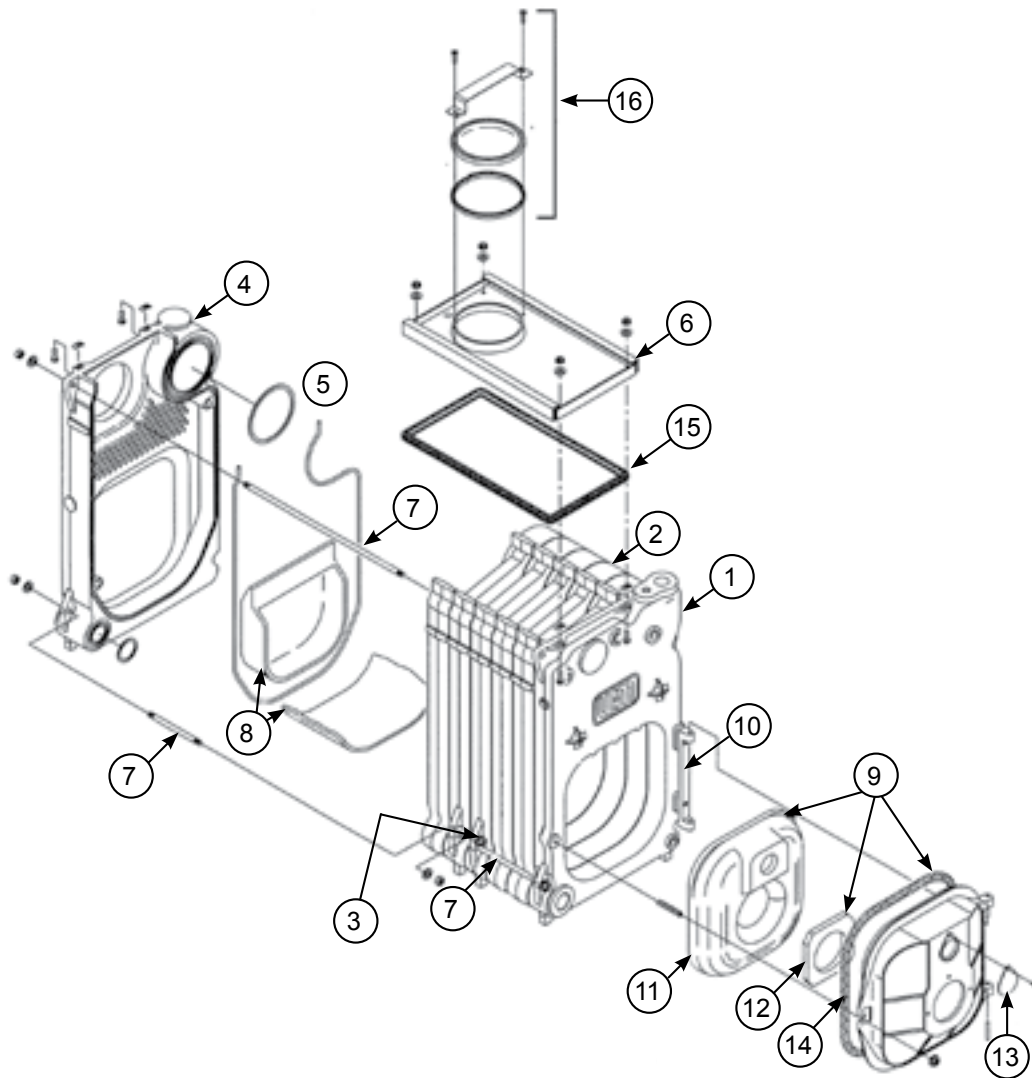
Ultra Oil - Series 1 Through 3  
Jacket / Control Parts Continued

| <b>SERIES 2 &amp; 3</b>     |             |   |
|-----------------------------|-------------|---|
| Fig. No.                    | Part No.    | Description   |
| 8                           | 426-900-009 | Jacket Crosstie   |
| 9                           | 386-902-018 | Control Tray Assembly (Includes: Tray, Limit Control, Terminal Strips, P/T Gauge, On/Off Switch, Wiring, Labels)                      |
| 12                          | 595-000-010 | Cover Control Bracket   |
| 13                          | 386-902-019 | High Limit Control, Hydrolevel, 3250 + Series 2 & 3   |
| N/S                         | 386-902-011 | Wire Harness Kit - (Includes Low and High Voltage Harness)  |
|                             | 592-300-026 | Well For Hydrostat, 3/4" N.P.T.   |
|                             | 383-500-126 | Outdoor Sensor Kit For Hydrostat 3250   |
|                             | 511-700-001 | Temperature Sensor Lead For Hydrostat, 48" In Length  |
| <b>SERIES 1, 2, &amp; 3</b> |             |   |
| N/S                         | 386-900-004 | Advanced Features Module Kit - (Includes Control Module, Remote Display Module, Outdoor Sensor, 2-Universal Sensors and Instructions) |
|                             | 650-000-016 | Outdoor Sensor For AFM Module   |
|                             | 650-000-095 | Universal Sensor  |

OIL

# NOTES

## WGO- Series 1 Through 3 Section Assembly Parts



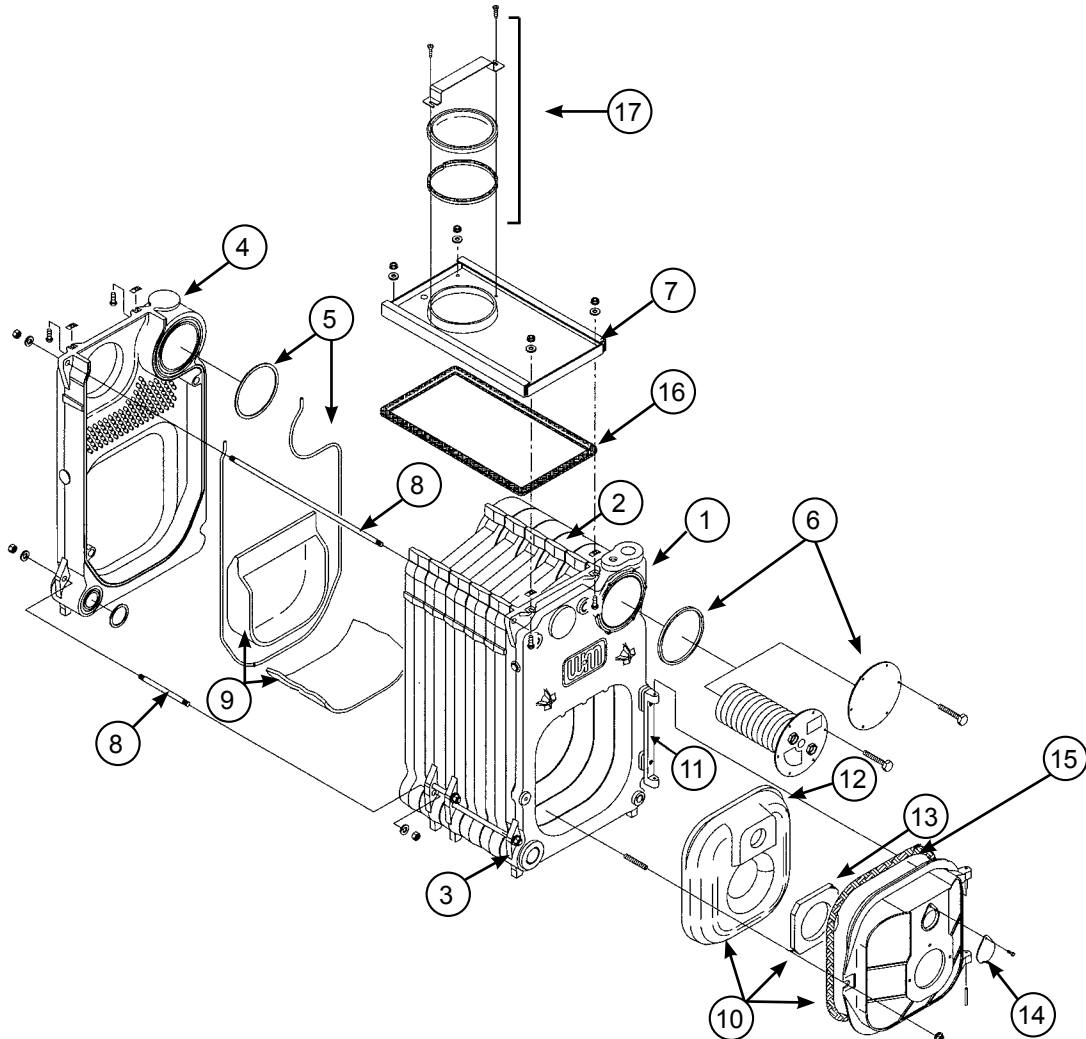
| Fig. No. | Part No.    | Description  | Boiler Size |   |   |   |   |   |   |   |   |
|----------|-------------|--|-------------|---|---|---|---|---|---|---|---|
|          |             |  | 2           | 3 | 4 | 5 | 6 | 7 | 8 | 9 |   |
| 1        | 316-700-270 | Front Section, with Envelope, Fits Series 1,2 & 3, #7012   | 1           | 1 | 1 | 1 | 1 | 1 | 1 | 1 | 1 |
| 2        | 316-700-065 | Intermediate Section, Narrow, #7015  | 1           |   | 2 | 3 | 4 | 3 | 4 | 5 |   |
|          | 316-700-075 | Intermediate Section, Wide, #7010  |             | 1 |   |   |   |   |   |   |   |
| 3        | 316-700-070 | Intermediate Section, With Draw Rod Lugs, #7016  |             |   |   |   |   |   | 2 | 2 | 2 |
| 4        | 316-700-226 | Section Back With 2½" Supply & 1½" Return, #7027   | 1           | 1 | 1 | 1 | 1 | 1 | 1 | 1 | 1 |
| 5        | 386-700-851 | Intermediate Section Replacement Kit (Includes: Seals, Rope and Adhesive For Two Joints) Series 1, 2, 3            | -           | - | 1 | 2 | 3 | 4 | 5 | 6 |   |
|          | 386-700-852 | Front or Rear Section Replacement Kit (Includes: Seals, Rope, Adhesive and Collector Hood Fasteners) Series 3 Only | 1           | 1 | 1 | 1 | 1 | 1 | 1 | 1 | 1 |
|          |             | Rear Section Replacement Kit (Includes: Seals, Rope, Adhesive and Collector Hood Fasteners) Series 1 & 2 Only      | 1           | 1 | 1 | 1 | 1 | 1 | 1 | 1 | 1 |
|          | 386-700-855 | Front Section Replacement Kit (Includes: Seals, Rope, Adhesive and Collector Hood Fasteners) Series 1 & 2 Only     | 1           | 1 | 1 | 1 | 1 | 1 | 1 | 1 | 1 |



## WGO- Series 1 Through 3 Section Assembly Parts

|     |             |  | Boiler Size                              |   |   |   |   |    |    |    |   |  |
|-----|-------------|--|--|---|---|---|---|----|----|----|---|--|
|     |             |  | 2  | 3 | 4 | 5 | 6 | 7  | 8  | 9  |   |  |
| N/S | 386-700-650 | Replacement Section Assembly Complete With Jacket For Series 1,2, and 3.                                   | 1  |   |   |   |   |    |    |    |   |  |
|     | 386-700-651 |  |  | 1 |   |   |   |    |    |    |   |  |
|     | 386-700-652 |  |  |   | 1 |   |   |    |    |    |   |  |
|     | 386-700-653 |  |  |   |   | 1 |   |    |    |    |   |  |
|     | 386-700-654 |  |  |   |   |   | 1 |    |    |    |   |  |
|     | 386-700-655 |  |  |   |   |   |   | 1  |    |    |   |  |
|     | 386-700-656 |  | Replacement Section Assembly With Jacket |   |   |   |   |    |    | 1  |   |  |
|     | 386-700-657 |  |  |   |   |   |   |    |    |    | 1 |  |
| 6   | 386-700-336 | Collector Hood Kit   | 1  |   |   |   |   |    |    |    |   |  |
|     | 386-700-337 |  |  | 1 | 1 |   |   |    |    |    |   |  |
|     | 386-700-338 |  |  |   |   | 1 |   |    |    |    |   |  |
|     | 386-700-339 |  |  |   |   |   | 1 |    |    |    |   |  |
|     | 450-020-188 |  |  |   |   |   |   | 1  |    |    |   |  |
|     | 450-020-189 |  |  |   |   |   |   |    | 1  |    |   |  |
|     | 450-020-190 |  |  |   |   |   |   |    |    | 1  |   |  |
| N/S | 386-700-850 | Collector Hood Hardware Kit-(Includes: (4) ¼" X 1¼" Bolts, (4) Nuts, (4) Washers, and (4) Tinnerman Nuts ) | 1  | 1 | 1 | 1 | 1 | 1  | 1  | 1  | 1 |  |
| 7   | 560-234-464 | Tie Rod ½" x 5½"   |  |   |   |   |   |    | 2  | 2  | 2 |  |
|     | 560-234-491 | Tie Rod ½" x 12¼"  | 4  |   |   |   |   | 2  |    |    |   |  |
|     | 560-234-492 | Tie Rod ½" x 12"   |  |   |   |   |   | 2  | 2  |    |   |  |
|     | 560-234-470 | Tie Rod ½" x 14"   |  | 4 | 4 |   |   |    | 2  | 2  |   |  |
|     | 560-234-495 | Tie Rod ½" x 15"   |  |   |   |   |   |    |    | 2  |   |  |
|     | 560-234-472 | Tie Rod ½" x 17"   |  |   |   | 4 |   |    |    |    |   |  |
|     | 560-234-534 | Tie Rod ½" x 20"   |  |   |   |   | 4 |    |    |    |   |  |
|     | 560-234-538 | Tie Rod ½" x 23¼"  |  |   |   |   |   | 2  |    |    |   |  |
|     | 560-234-542 | Tie Rod ½" x 26⅝"  |  |   |   |   |   |    | 2  |    |   |  |
|     | 560-234-497 | Tie Rod ½" x 29½"  |  |   |   |   |   |    |    | 2  |   |  |
| N/S | 561-928-221 | Nut, Regular HEX, ½" (2 Per Rod) - Purchase Locally  | 8  | 8 | 8 | 8 | 8 | 16 | 16 | 16 |   |  |
|     | 562-248-668 | Washer, Medium Split Plain Lock, ½" (1 Required Per Rod)   | 4  | 4 | 4 | 4 | 4 | 8  | 8  | 8  |   |  |
| 8   | 386-700-355 | Combustion Chamber Kit (Includes: Rear & Front Refractory, Blanket & Water Glass)                          | 1  | 1 | 1 | 1 | 1 | 1  | 1  | 1  |   |  |
| 9   | 386-700-358 | Burner Mounting Door Assembly (Includes: Door, Observation Port, Rope, Insulation & Pins)                  | 1  | 1 | 1 | 1 | 1 | 1  | 1  | 1  |   |  |
| 10  | 381-355-797 | Door Hinge Kit, Cast #7054, (Includes 1 Hinge, and Roll Pins)  | 2  | 2 | 2 | 2 | 2 | 2  | 2  | 2  |   |  |
| 11  | 386-700-359 | Door Refractory  | 1  | 1 | 1 | 1 | 1 | 1  | 1  | 1  |   |  |
| 12  | 591-222-115 | Door Refractory Blanket  | 1  | 1 | 1 | 1 | 1 | 1  | 1  | 1  |   |  |
| 13  | 460-039-867 | Observation Port Shutter   | 1  | 1 | 1 | 1 | 1 | 1  | 1  | 1  |   |  |
| 14  | 590-735-104 | Door Seal, ⅜" Rope, 55"  | 1  | 1 | 1 | 1 | 1 | 1  | 1  | 1  |   |  |
| 15  | 590-735-109 | Glass Rope, ⅜" For Collector Hood, 7'  | 1  | 1 | 1 | 1 | 1 | 1  | 1  | 1  |   |  |
| 16  | 386-700-344 | Flue Cap Kit   | 1  | 1 | 1 | 1 | 1 | 1  | 1  | 1  |   |  |
| N/S | 591-706-214 | Flue Brush   | 1  | 1 | 1 | 1 | 1 | 1  | 1  | 1  |   |  |
|     | 592-800-007 | 6" Top Seal  |  |   |   |   |   |    |    |    |   |  |
|     | 592-800-010 | 3" Bottom Seal   |  |   |   |   |   |    |    |    |   |  |

## WTGO - Series 1 Through 3 Section Assembly Parts



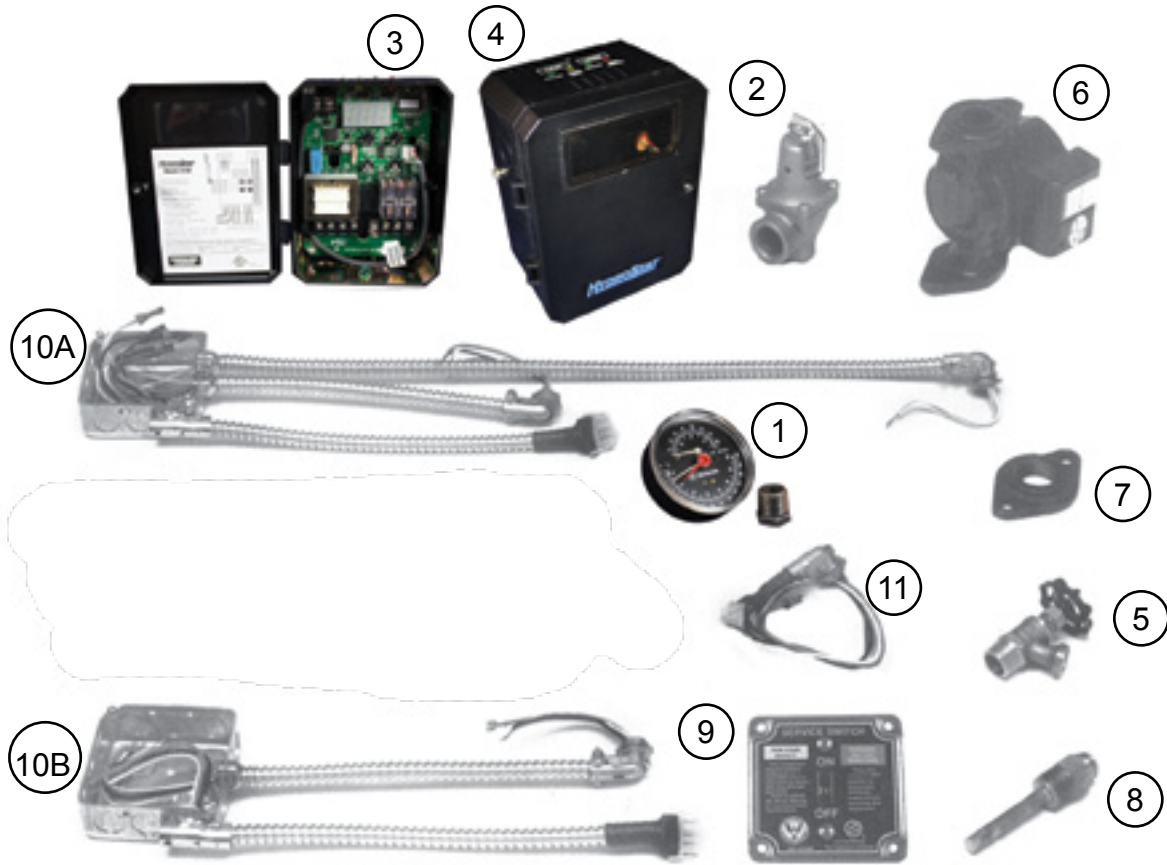
| Fig. No.    | Part No.   | Description  | Boiler Size |   |   |   |   |   |   |   |
|-------------|--|--|-------------|---|---|---|---|---|---|---|
|             |  |  | 3L          | 3 | 4 | 5 | 6 | 7 | 8 | 9 |
| 1           | 316-700-240  | Front Section, With Envelope, Fits Series 1,2 & 3 Cast # 7023  | 1           |   |   |   |   |   |   |   |
|             | 316-700-211  | Front Section, Fits Series 1, 2 & 3 Cast # 4013  |             | 1 | 1 | 1 | 1 | 1 | 1 | 1 |
| 2           | 316-700-065  | Intermediate Section, Narrow Cast # 7015   | 1           |   | 2 | 3 | 4 | 3 | 4 | 5 |
|             | 316-700-075  | Intermediate Section, Wide Cast # 7010   |             | 1 |   |   |   |   |   |   |
| 3           | 316-700-070  | Intermediate Section, With Draw Rod Lugs Cast # 7016   |             |   |   |   |   | 2 | 2 | 2 |
| 4           | 316-700-226  | Section Back With 2½" Supply & 1½" Return, #7027   | 1           | 1 | 1 | 1 | 1 | 1 | 1 | 1 |
| 5           | 386-700-851  | Intermediate Section Replacement Kit (Includes: Seals, Rope and Adhesive For Two Joints) Series 1, 2, 3            | -           | - | 1 | 2 | 3 | 4 | 5 | 6 |
|             | 386-700-852  | Front or Rear Section Replacement Kit (Includes: Seals, Rope, Adhesive and Collector Hood Fasteners) Series 3 Only | 1           | 1 | 1 | 1 | 1 | 1 | 1 | 1 |
|             |  | Rear Section Replacement Kit (Includes: Seals, Rope, Adhesive and Collector Hood Fasteners) Series 1 & 2 Only      | 1           | 1 | 1 | 1 | 1 | 1 | 1 | 1 |
| 386-700-855 | Front Section Replacement Kit (Includes: Seals, Rope, Adhesive and Collector Hood Fasteners) Series 1 & 2 Only | 1  | 1           | 1 | 1 | 1 | 1 | 1 | 1 |   |
| 6           | 386-700-360  | Heater Cover Plate Carton (Plate, Studs, Seal) - ¾" Tapping  |             | 1 | 1 | 1 | 1 | 1 | 1 | 1 |
| N/S         | 386-700-658  |  |             | 1 |   |   |   |   |   |   |
|             | 386-700-659  | Replacement Section Assembly Complete With Jacket  |             |   | 1 |   |   |   |   |   |
|             | 386-700-660  |  |             |   |   | 1 |   |   |   |   |

OIL

## WTGO - Series 1 Through 3 Section Assembly Parts

| Fig. No. | Part No.    | Description  | Boiler Size      |   |   |   |   |    |    |    |
|----------|-------------|--|------------------|---|---|---|---|----|----|----|
|          |             |  | 3L               | 3 | 4 | 5 | 6 | 7  | 8  | 9  |
| N/S      | 386-700-661 | Replacement Section Assembly With Jacket   |                  |   |   |   | 1 |    |    |    |
|          | 386-700-662 |  |                  |   |   |   | 1 |    |    |    |
|          | 386-700-663 |  |                  |   |   |   |   | 1  |    |    |
|          | 386-700-664 |  |                  |   |   |   |   |    | 1  |    |
| 7        | 386-700-336 | Collector Hood Kit (WTGO-3L)   | 1                |   |   |   |   |    |    |    |
|          | 386-700-337 | Collector Hood Kit   |                  | 1 | 1 |   |   |    |    |    |
|          | 386-700-338 |  |                  |   | 1 |   |   |    |    |    |
|          | 386-700-339 |  |                  |   |   | 1 |   |    |    |    |
|          | 450-020-188 |  |                  |   |   |   | 1 |    |    |    |
|          | 450-020-189 |  |                  |   |   |   |   | 1  |    |    |
|          | 450-020-190 |  |                  |   |   |   |   |    | 1  |    |
| 8        | 560-234-464 |  | Tie Rod ½" x 5½" |   |   |   |   |    | 2  | 2  |
|          | 560-234-491 | Tie Rod ½" x 12¼"  | 4                |   |   |   | 2 |    |    |    |
|          | 560-234-492 | Tie Rod ½" x 12"   |                  |   |   |   | 2 | 2  |    |    |
|          | 560-234-470 | Tie Rod ½" x 14"   |                  | 4 | 4 |   |   | 2  | 2  |    |
|          | 560-234-495 | Tie Rod ½" x 15"   |                  |   |   |   |   |    | 2  |    |
|          | 560-234-472 | Tie Rod ½" x 17"   |                  |   |   | 4 |   |    |    |    |
|          | 560-234-534 | Tie Rod ½" x 20"   |                  |   |   |   | 4 |    |    |    |
|          | 560-234-538 | Tie Rod ½" x 23¼"  |                  |   |   |   |   | 2  |    |    |
|          | 560-234-542 | Tie rod ½" x 26⅜"  |                  |   |   |   |   |    | 2  |    |
|          | 560-234-497 | Tie Rod ½" x 29½"  |                  |   |   |   |   |    |    | 2  |
| N/S      | 561-928-221 | Nut, Regular HEX, ½" (2 Per Rod) - Purchase Locally  | 8                | 8 | 8 | 8 | 8 | 16 | 16 | 16 |
|          | 562-248-668 | Washer, Medium Split Plain Lock, ½" (1 Required Per Rod)   | 4                | 4 | 4 | 4 | 4 | 8  | 8  | 8  |
| 9        | 386-700-355 | Combustion Chamber Kit (Includes: Rear & Front Refractory, Blanket & Water Glass)                        |                  | 1 | 1 | 1 | 1 | 1  | 1  | 1  |
| 10       | 386-700-358 | Burner Mounting Door Assembly (Includes: Door, Observation Port, Rope, Insulation & Pins)                |                  | 1 | 1 | 1 | 1 | 1  | 1  | 1  |
| 11       | 381-355-797 | Door Hinge Kit, Cast # 7054, (Includes 1 Hinge, and Roll Pin)  | 2                | 2 | 2 | 2 | 2 | 2  | 2  | 2  |
| 12       | 386-700-359 | Door Refractory  |                  | 1 | 1 | 1 | 1 | 1  | 1  | 1  |
| 13       | 591-222-115 | Door Refractory Blanket  |                  | 1 | 1 | 1 | 1 | 1  | 1  | 1  |
| 14       | 460-039-867 | Observation Port Shutter   |                  | 1 | 1 | 1 | 1 | 1  | 1  | 1  |
| 15       | 590-735-104 | Door Seal Rope, 4.6' ⅜" Rope   |                  | 1 | 1 | 1 | 1 | 1  | 1  | 1  |
| 16       | 590-735-109 | Glass Rope, ⅜" For Collector Hood, 7'  |                  | 1 | 1 | 1 | 1 | 1  | 1  | 1  |
| 17       | 386-700-344 | Flue Cap Kit (Includes: Cap, Handle, Rope & Screws)  |                  |   |   |   |   |    |    |    |
|          | 426-700-268 | Flue Cap Bracket   |                  |   |   |   |   |    |    |    |
| N/S      | 591-706-214 | Flue Brush   |                  | 1 | 1 | 1 | 1 | 1  | 1  | 1  |
|          | 592-800-007 | Round 6" Tankless Heater Gasket  |                  |   |   |   |   |    |    |    |
|          | 560-340-577 | Tankless Heater Nut and Stud   |                  |   |   |   |   |    |    |    |
|          | 592-800-007 | Round 6" Section Seal Gasket   |                  |   |   |   |   |    |    |    |
|          | 592-800-010 | Round 3" Section Seal Gasket   |                  |   |   |   |   |    |    |    |
|          | 386-700-850 | Collector Hood Hardware Kit (Includes: (4) ¼" X 1¼" Bolts, (4) Nuts, (4) Washers and (4) Tinnerman Nuts) |                  |   |   |   |   |    |    |    |

## WGO, WTGO - Series 1 Through 3 Water Trim / Control Parts

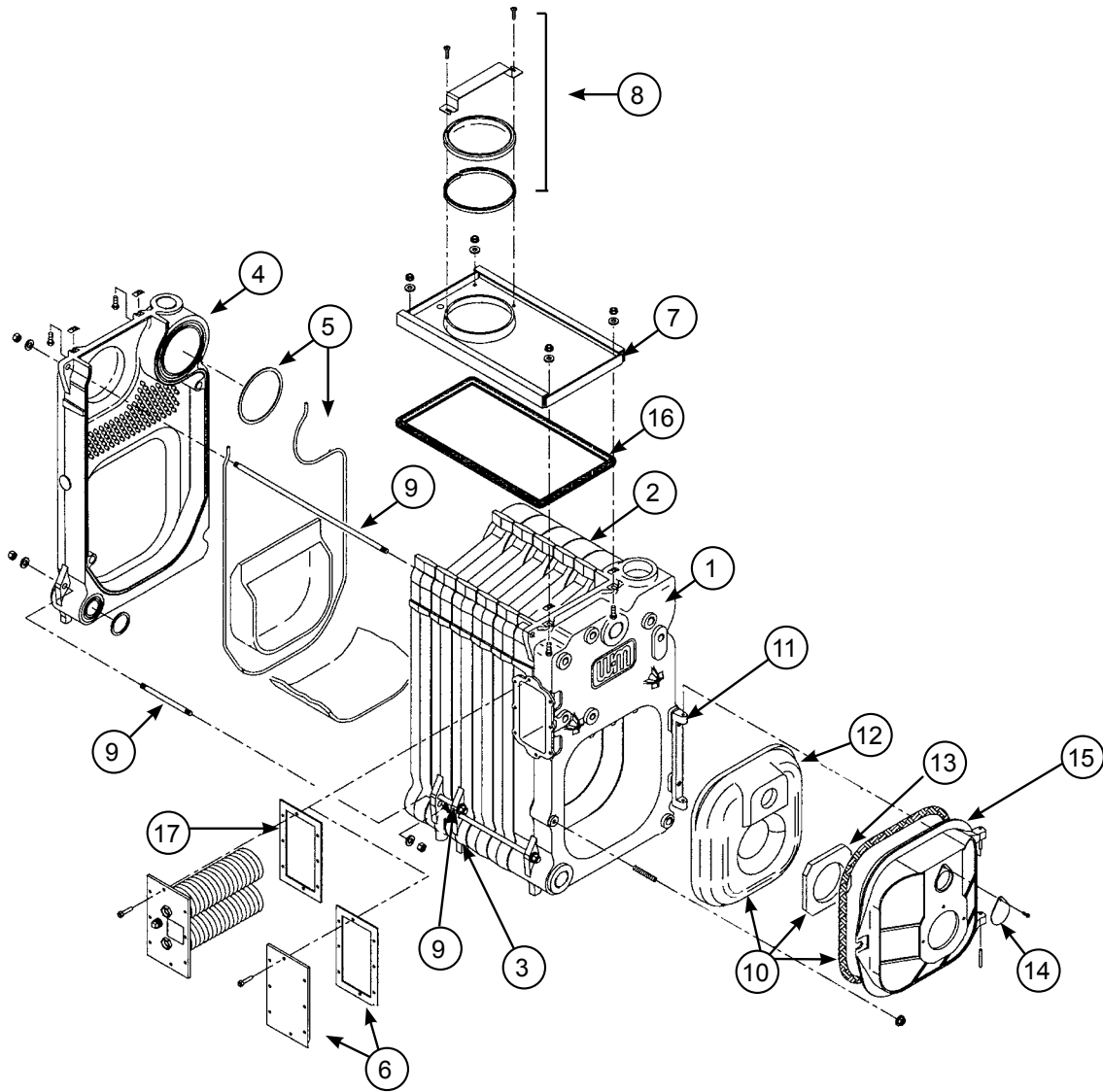


| Fig. No. | Part No.    | Description   | Boiler |      |
|----------|-------------|---|--------|------|
|          |             |   | WGO    | WTGO |
| 1        | 380-000-000 | Combination Pressure- Temperature Gauge Kit, 60° - 360°F 0-75 PSI, 3 1/8" Dia, 1/4" NPT, Short Shank, With 1/4" x 1/2" Reducing Bushing   | X      | X    |
| 2        | 383-500-095 | ASME Pressure Relief Valve, Set To Relieve At 30 PSIG, 3/4" Male Inlet, 3/4" Female Outlet  | X      | X    |
| 3,4      | 381-300-000 | Electronic Aquastat, High Limit or Combination High/Low Limit, With LWCO, High Limit 100° - 220°, Low Limit 110° - 200°, Adj. differential 10° to 30°, Circulator Amps – 5.8 FA, Anticipator, .2 Amps | X      | X    |
| 8        | 592-300-026 | 3/4" N.P.T. Well, 4 1/4" Long For Hydrolevel 3250   | X      |      |
|          | 592-300-027 | 3/4" N.P.T. Well, 6 1/4" Long For Hydrolevel 3250   |        | X    |
| N/S      | 383-500-126 | Outdoor Sensor Kit For Hydrostat 3250   | X      | X    |
| Fig. No. | Part No.    | Description   | Boiler |      |
|          |             |   | WGO    | WTGO |

## WGO, WTGO - Series 1 Through 3 Water Trim / Control Parts

|                    |             |  |   |   |
|--------------------|-------------|--|---|---|
| 5                  | 511-210-423 | Drain Cock, 3/4", 1 1/2" Shank   | X | X |
|                    | 511-246-392 | Drain Cock, 3/4"   | X | X |
|                    |             | Drain Cock, 3/4"   | X | X |
| 6                  | 511-405-113 | Circulator, 1/25HP, 120/60/1 Motor, 175 RPM, 0.75 Amps   | X | X |
| 7                  | 381-354-526 | Circulator Universal Hardware Kit 1 1/4" (Includes: (1) Flange, (1) Gasket, (2) Screws and (2) Nuts) For Sizes 2, 3 & 4 Only | X | X |
|                    | 381-354-531 | Circulator Universal Hardware Kit 1 1/2" (Includes: (1) Flange, (1) Gasket, (2) Screws and (2) Nuts) For Sizes 5 & 6 Only    | X | X |
| 10A                | 591-391-849 | Junction Box – Wiring Harness Assembly Series 2 & 3 WTGO-3L Only With Circulator Only  | X | X |
| N/S                | 591-391-836 | Junction Box – Wiring Harness Assembly Series 2 & 3 All WGO and WTGO Boilers Except WTGO-3L With Circulator. See 10A Above.  | X | X |
| 10B                | 591-391-837 | Junction Box – Wiring harness assembly (Series 2 & 3 A & B Only) Trim Carton Only  | X | X |
| 9                  | 591-391-854 | Junction Box Cover Assembly With Service Switch  | X | X |
| 11                 | 591-391-850 | Burner Harness Assembly  | X | X |
| N/S                | 426-700-268 | Flue Pipe Brackets (Set of 2)  | X | X |
|                    | 590-921-599 | Tankless Heater – Water Boiler (Includes: Heater, Gasket, Nuts and Studs) For Boiler Size WTGO-3L                            |   | X |
|                    | 590-921-612 | Tankless Heater – Water Boiler (Includes: Heater, Gasket, Nuts And Studs) For Boiler Sizes WTGO-3,4,5 & 6                    |   | X |
|                    | 590-921-610 | Tankless Heater – Water Boiler (Includes: Heater, Gasket, Nuts And Studs) For Boiler Sizes WTGO-7,8 & 9                      |   | X |
|                    | 560-340-577 | 3/8" - 16 x 1 1/8" Stud and Nut, 6 required  |   |   |
|                    | 592-800-007 | 6" Round Tankless Heater Gasket  |   |   |
|                    | 510-512-267 | Barometric Damper 6"   | X | X |
| <b>Damper Kits</b> |             |  |   |   |
| N/S                | 381-800-501 | Vent Damper Kit - (Includes Damper and Actuator) WGO-2RD   |   |   |
|                    | 381-800-502 | Vent Damper Kit - (Includes Damper and Actuator) WGO/WTGO-3RD  |   |   |
|                    | 381-800-503 | Vent Damper Kit - (Includes Damper and Actuator) WGO/WTGO-4RD  |   |   |
|                    | 381-800-504 | Vent Damper Kit - (Includes Damper and Actuator) WGO/WTGO-5RD  |   |   |
|                    | 381-800-505 | Vent Damper Kit - (Includes Damper and Actuator) WGO/WTGO-6RD  |   |   |
|                    | 381-800-506 | Vent Damper Kit - (Includes Damper and Actuator) WGO/WTGO-7RD  |   |   |

## SGO - Series 1 Through 3 Section Assembly Parts

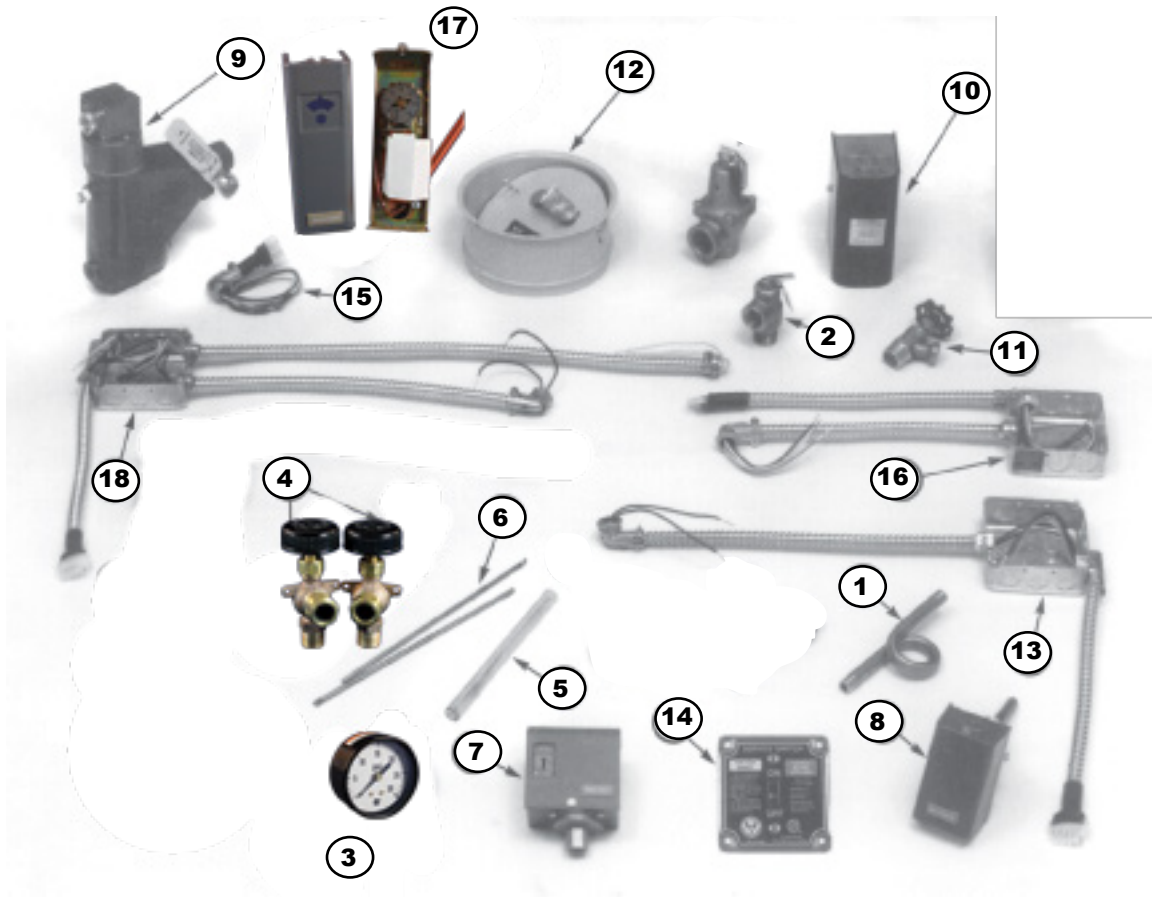


| Fig. No. | Part No.    | Description  | Boiler Size |   |   |   |   |   |   |
|----------|-------------|--|-------------|---|---|---|---|---|---|
|          |             |  | 3           | 4 | 5 | 6 | 7 | 8 | 9 |
| 1        | 316-700-245 | Front Section, Wide, 2½" Supply, #7011   | 1           | 1 | 1 | 1 | 1 | 1 | 1 |
| 2        | 316-700-065 | Intermediate Section, Narrow, #7015  | 1           | 2 | 3 | 4 | 3 | 4 | 5 |
| 3        | 316-700-070 | Intermediate Section, With Draw Rod Lugs, #7016  |             |   |   |   | 2 | 2 | 2 |
| 4        | 316-700-224 | Section Back With 2½" Supply & 2" Return, #7027 - No Top Tapping   | 1           | 1 | 1 |   |   |   |   |
|          | 316-700-225 | Section Back With 2½" Supply & 2" Return, #7027 - With Top Tapping   |             |   |   | 1 | 1 | 1 | 1 |
| 5        | 386-700-851 | Intermediate Section Replacement Kit (Includes: Seals, Rope and Adhesive For Two Joints) Series 1, 2, 3            |             | 1 | 2 | 3 | 4 | 5 | 6 |
|          | 386-700-852 | Front or Rear Section Replacement Kit (Includes: Seals, Rope, Adhesive and Collector Hood Fasteners) Series 3 Only | 1           | 1 | 1 | 1 | 1 | 1 | 1 |
|          |             | Rear Section Replacement Kit (Includes: Seals, Rope, Adhesive and Collector Hood Fasteners) Series 1 & 2 Only      | 1           | 1 | 1 | 1 | 1 | 1 | 1 |
|          | 386-700-855 | Front Section Replacement Kit (Includes: Seals, Rope, Adhesive and Collector Hood Fasteners) Series 1 & 2 Only     | 1           | 1 | 1 | 1 | 1 | 1 | 1 |
| 6        | 389-900-103 | Heater Cover Plate (Rectangular) (Includes 8 Studs, Nuts and Gasket)   | 1           | 1 | 1 | 1 | 1 | 1 | 1 |

## SGO - Series 1 Through 3 - Section Assembly Parts

| Fig. No. | Part No.    | Description  | Boiler Size                              |   |   |   |   |   |    |
|----------|-------------|--|--|---|---|---|---|---|----|
|          |             |  | 3  | 4 | 5 | 6 | 7 | 8 | 9  |
| N/S      | 386-700-665 | Replacement Section Assembly Complete With Jacket and Tankless Coverplate                                | 1  |   |   |   |   |   |    |
|          | 386-700-666 |  |  | 1 |   |   |   |   |    |
|          | 386-700-667 |  |  |   | 1 |   |   |   |    |
|          | 386-700-668 |  |  |   |   | 1 |   |   |    |
|          | 386-700-669 |  |  |   |   |   | 1 |   |    |
|          | 386-700-670 |  | Replacement Section Assembly With Jacket |   |   |   |   |   | 1  |
|          | 386-700-671 |  |  |   |   |   |   |   | 1  |
| 7        | 386-700-340 | Collector Hood Kit Series 1-3  | 1  |   |   |   |   |   |    |
|          | 386-700-341 |  |  | 1 |   |   |   |   |    |
|          | 386-700-342 |  |  |   | 1 |   |   |   |    |
|          | 386-700-343 |  |  |   |   | 1 |   |   |    |
|          | 450-020-191 |  |  |   |   |   | 1 |   |    |
|          | 450-020-192 |  |  |   |   |   |   | 1 |    |
|          | 450-020-193 |  |  |   |   |   |   |   | 1  |
| 8        | 386-700-344 | Flue Cap Kit Series 1 & 2 (Includes: Cap, Handle, Rope & Screws)   | 1  | 1 | 1 | 1 | 1 | 1 | 1  |
| 9        | 560-234-464 | Tie Rod ½" x 5½"   |  |   |   |   | 2 | 2 | 2  |
|          | 560-234-491 | Tie Rod ½" x 10¾"  | 4  |   |   |   |   |   |    |
|          | 560-234-493 | Tie Rod ½" x 12¼"  |  |   |   |   | 2 |   |    |
|          | 560-234-494 | Tie Rod ½" x 13⅜"  |  |   |   |   | 2 | 2 |    |
|          | 560-234-470 | Tie Rod ½" x 14"   |  |   |   |   |   | 2 | 2  |
|          | 560-234-495 | Tie Rod ½" x 15"   |  |   |   |   |   |   | 2  |
|          | 560-234-532 | Tie Rod ½" x 15⅝"  |  | 4 |   |   |   |   |    |
|          | 560-234-496 | Tie Rod ½" x 16½"  |  |   |   |   |   |   | 2  |
|          | 560-234-475 | Tie Rod ½" x 18½"  |  |   | 4 |   |   |   |    |
|          | 560-234-536 | Tie Rod ½" x 21½"  |  |   |   | 4 |   |   |    |
|          | 560-234-540 | Tie Rod ½" x 24¾"  |  |   |   |   | 2 |   |    |
|          | 560-234-544 | Tie Rod ½" x 28"   |  |   |   |   |   | 2 |    |
|          | 560-234-546 | Tie Rod ½" x 31"   |  |   |   |   |   |   | 2  |
| N/S      | 561-928-221 | Nut, Regular HEX, ½" (2 Per Rod) - Purchase Locally  | 8  | 8 | 8 | 8 | 8 | 8 | 16 |
|          | 562-248-668 | Washer, Medium Split Plain Lock, ½" (1 Required Per Rod)   | 4  | 4 | 4 | 4 | 4 | 4 | 8  |
|          | 386-700-355 | Combustion Chamber Kit (Includes: Rear & Front Refractory, Blanket )                                     | 1  | 1 | 1 | 1 | 1 | 1 | 1  |
| 10       | 386-700-358 | Burner Mounting Door Assembly (Includes: Door, Port, Rope, & Pins)                                       | 1  | 1 | 1 | 1 | 1 | 1 | 1  |
| 11       | 381-355-797 | Door Hinge Kit, Cast #7054, (Includes 1 Hinge, and Roll Pin)   | 2  | 2 | 2 | 2 | 2 | 2 | 2  |
| 12       | 386-700-359 | Door Refractory  | 1  | 1 | 1 | 1 | 1 | 1 | 1  |
| 13       | 591-222-115 | Door Refractory Blanket  | 1  | 1 | 1 | 1 | 1 | 1 | 1  |
| 14       | 460-039-867 | Observation Port Shutter   | 1  | 1 | 1 | 1 | 1 | 1 | 1  |
| 15       | 590-735-104 | Door Seal ⅝" Rope, 55G   | 1  | 1 | 1 | 1 | 1 | 1 | 1  |
| 16       | 590-735-109 | Glass rope, ⅝" For Collector Hood, 7'  | 1  | 1 | 1 | 1 | 1 | 1 | 1  |
| N/S      | 591-706-214 | Flue Brush   | 1  | 1 | 1 | 1 | 1 | 1 | 1  |
| 17       | 590-317-550 | Tankless Heater Gasket   |  |   |   |   |   |   |    |
| N/S      | 560-340-577 | Tankless Heater Nut and Stud   |  |   |   |   |   |   |    |
|          | 386-700-850 | Collector Hood Hardware Kit (Includes: (4) ¼" X 1¼" Bolts, (4) Nuts, (4) Washers And (4) Tinnerman Nuts) | 1  | 1 | 1 | 1 | 1 | 1 | 1  |

SGO - Series 1 Through 3  
Steam Trim / Control Parts



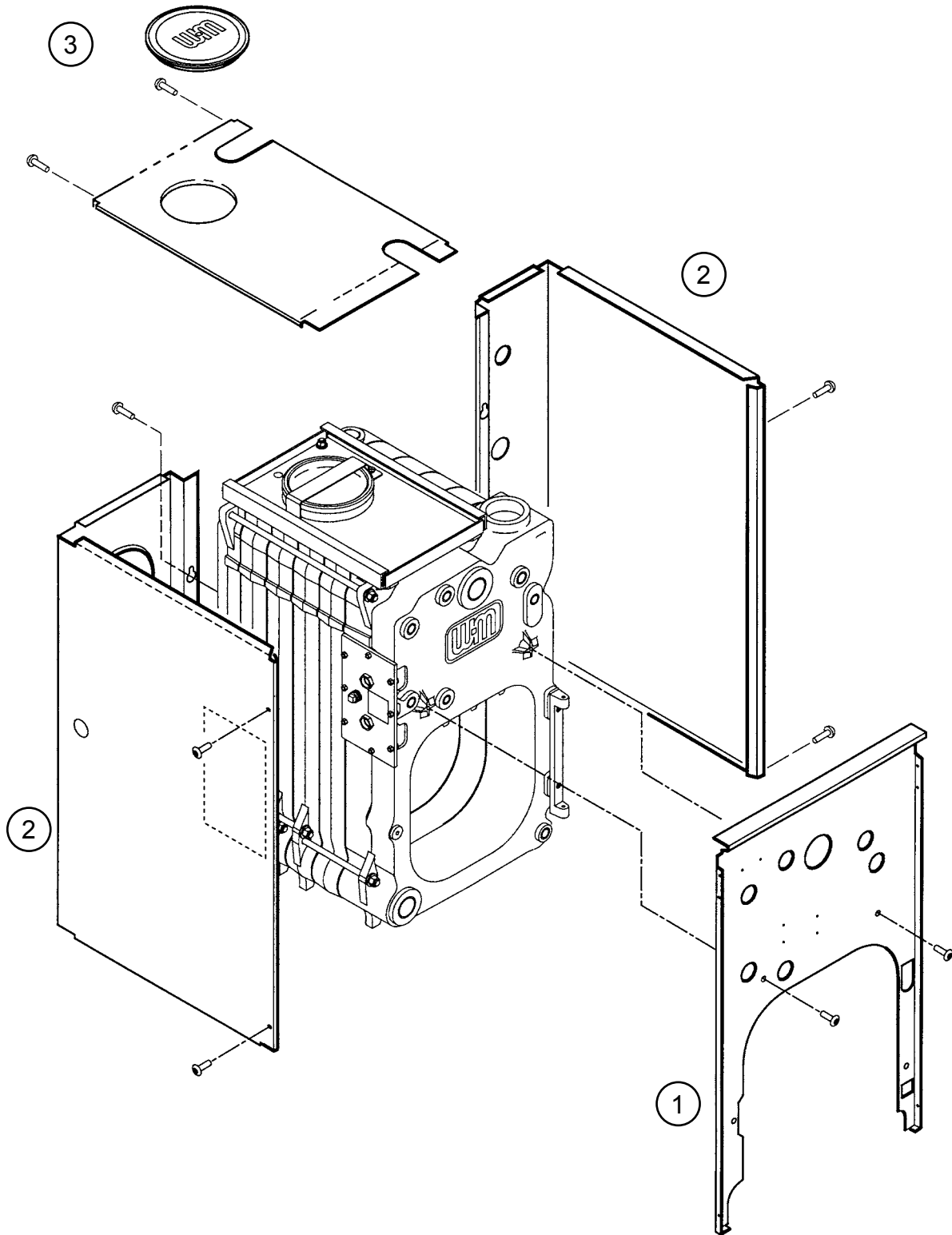
OIL



## SGO - Series 1 Through 3 Steam Trim / Control Parts

| Fig. No. | Part No.    | Description   |
|----------|-------------|---|
| 1        | 560-640-698 | Syphon, 180° Bend, 1/4" Brass Pipe  |
| 2        | 383-600-106 | Steam Relief Valve, Set To Relieve at 15 PSIG, 3/4" N.P.T. Inlet<br>3/4" N.P.T. Side Outlet, 375 Lbs./Hr Steam Capacity             |
|          |             | Steam Relief Valve, Set To Relieve At 15 PSIG, 3/4" N.P.T. Male<br>Inlet 3/4" N.P.T. Female Side Outlet, 375 Lbs./Hr Steam Capacity |
| 3        | 510-218-045 | Steam Pressure Gauge, 0-30 PSIG   |
| 4        | 510-218-135 | Gauge Cock Set, B15 Standard Stem   |
| 5        | 383-600-001 | Gauge Glass Kit (Includes: Glass, Gaskets and Water Washers)  |
| 6        | 563-334-597 | Water Gauge Glass Guard, 8 5/8" Long  |
| 7        | 510-312-135 | High Pressure Limit Control, Operating Range 0.5-9 PSI,<br>Additive Differential 1-5 PSI  |
|          |             | High Pressure Limit Control, Operating Range 0.5-15 PSI,<br>Additive Differential 2-8 PSI   |
| 8        | 510-312-209 | High Limit Temperature Control, SPST, Automatic Recycle With<br>3/4" Well (Used In Tankless Heater Kit)                             |
|          |             | High Limit Temperature Control, SPST, Automatic Recycle With<br>3/4" Well (Used In Tankless Heater Kit)                             |
| 9        | 511-114-495 | Low Water Cutoff, Float Type  |
| 10       | 511-100-008 | Kit Service Probe type Low Water Cut-Off Residential Steam<br>Foam Compensating, Comes With Probe                                   |
| 11       | 511-210-423 | Drain Cock, 3/4", 1 1/2" Shank  |
|          | 511-246.392 | Drain Cock, 3/4"  |
|          |             | Drain Cock, 3/4"  |
| 12       | 510-512-267 | Balanced Draft Damper (Barometric) 7"   |
| 13       | 591-391-848 | Junction Box Wiring Harness Assembly (A & B Boilers Only)   |
| 14       | 591-391-854 | Junction Box Cover Assembly With Service Switch   |
| 15       | 591-391-850 | Burner Harness Assembly 4 Pin Plug  |
| 16       | 591-391-837 | SGO Wire Harness With Junction Box  |
| 17       | 510-311-024 | Limit Control Without Well, SPDT  |
| 18       | 591-391-842 | Junction Box – Wiring Harness Assembly (SGO Float Low Water<br>Cut-off Only – Packaged Boiler Only)                                 |
| N/S      | 426-700-268 | Flue Pipe Brackets (Set of 2)   |
|          | 590-921-903 | Tankless Heater- Steam Boiler (Includes: Heater, Gasket, Nuts<br>And Studs) For SGO-3 Through SGO-9                                 |
|          | 560-340-577 | Stud 3/8 -16" NC-2A x 1.12 Long With 3/8-16" NC Brass Nut   |
|          | 590-317-550 | Gasket Tankless Heater Cover Plate 5 1/4" x 10"   |
|          | 510-312-209 | Tankless Limit, 140°F To 240°F With 10° Differential and 3/4" Well  |
|          | 591-391-965 | Junction Box With Harness Assembly For Probe LWCO   |

WGO,WTGO,SGO - Series 3  
Jacket Assembly



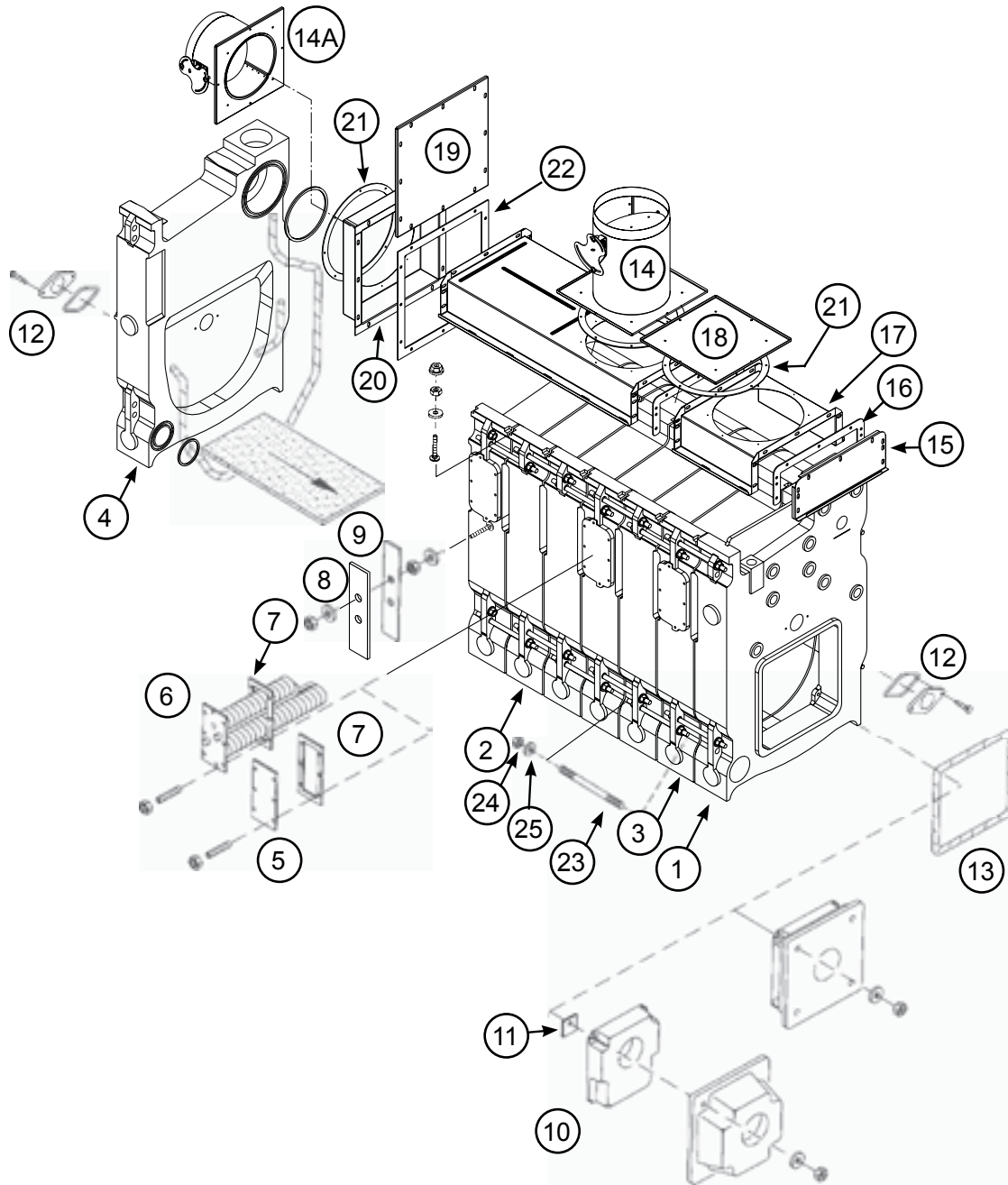
OIL

## WGO WTGO SGO - Series 3 Jacket Assembly Parts

|  | 1  | 2                  |                     | 3                  |
|--|--|--------------------|---------------------|--------------------|
| Boiler Model                               | Jacket panel with insulation<br>Front      | Left side and rear | Right side and rear | Top panel with cap |
| <b>WGO</b>                                 |  |                    |                     |                    |
| WGO-2                                      | 381-355-494                                | 381-355-495        | 426-700-250         | 381-355-497        |
| WGO-3                                      |  | 381-355-498        | 426-700-252         | 381-355-500        |
| WGO-4                                      |  | 381-355-501        | 426-700-252         | 381-355-771        |
| WGO-5                                      |  | 381-355-503        | 426-700-254         | 381-355-505        |
| WGO-6                                      |  | 381-355-506        | 426-700-256         | 381-355-508        |
| <b>WTGO</b>                                |  |                    |                     |                    |
| WTGO-3L                                    | 381-355-509                                | 381-355-510        | 426-700-250         | 381-355-772        |
| WTGO-3                                     | 381-355-512                                | 381-355-513        | 426-700-252         | 381-355-773        |
| WTGO-4                                     |  | 381-355-515        | 426-700-252         | 381-355-774        |
| WTGO-5                                     |  | 381-355-517        | 426-700-254         | 381-355-775        |
| WTGO-6                                     |  | 381-355-519        | 426-700-256         | 381-355-776        |
| <b>SGO</b>                                 |  |                    |                     |                    |
| SGO-3                                      | 381-355-521                                | 381-355-522        | 426-700-252         | 381-355-524        |
| SGO-4                                      |  | 381-355-525        | 426-700-254         | 381-355-527        |
| SGO-5                                      |  | 381-355-528        | 426-700-256         | 381-355-530        |
| SGO-6                                      |  | 381-355-531        | 426-700-258         | 381-355-533        |
| <b>Complete Jacket Cartons</b>             |  |                    |                     |                    |
|  | WGO  | WTGO               | SGO                 |                    |
| 7 Section                                  | 416-700-170                                | 416-700-176        | 416-700-182         |                    |
| 8 Section                                  | 416-700-172                                | 416-700-178        | 416-700-184         |                    |
| 9 Section                                  | 416-700-174                                | 416-700-180        | 416-700-186         |                    |
| <b>Common Jacket Parts For All Boilers</b> |  |                    |                     |                    |
| N/S  | Plastic Flue Cap Cover W/<br>Insulation    | 560-907-687        |                     |                    |
|  | Jacket Hardware Kit                        | 386-700-853        |                     |                    |
|  | Touch Up Paint - Gold - Low E<br>4.5oz Can | 592-002-029        |                     |                    |

**Note: All jacket panels come with appropriate labels**  
**To order a complete jacket for size 2 thru 6, order items 1, 2, 3. and Jacket hardware kit.**  
**For boiler sizes 7, 8, or 9 can only order complete jacket carton as listed above.**

## 80 Boiler Section / Assembly Parts



| Fig. No. | Part No.    | Description   |
|----------|-------------|---|
| 1        | 315-700-100 | Front Section 8013  |
| 2        | 315-700-120 | Intermediate Section, Regular 8015  |
|          | 315-700-130 | Intermediate Section With Special Side Tappings 8017 - For Waterway Inspection                            |
|          | 315-700-150 | Intermediate Section, Supply (Steam Boilers) 8014   |
| 3        | 315-700-140 | Intermediate Section, Tankless 8016   |
| 4        | 315-700-110 | Back Section 8018   |
| N/S      | 385-800-205 | Section Assembly Kit - Includes ½" Rope, Adhesive, Elastomer Seals and Silicone Sealant - 1 Kit Per Joint |
| 5        | 385-700-200 | Heater Cover Plate Carton (Includes: Cover Plate, Gasket, Studs, Nuts)                                    |
| 6        | 590-921-917 | Tankless Heater Carton (Includes: Tankless Heater, Gasket, Studs, Nuts)                                   |
| 7        | 590-317-550 | Heater Gasket   |

## 80 Boiler Section / Assembly Parts

|   |                                  |   |                                    |   |   |   |   |   |   |    |    |    |
|---|----------------------------------|---|------------------------------------|---|---|---|---|---|---|----|----|----|
| 8   | 450-030-928                      | Cleanout Plate  |                                    |   |   |   |   |   |   |    |    |    |
| 9   | 590-317-303                      | Cleanout Plate Gasket   |                                    |   |   |   |   |   |   |    |    |    |
| 10  | 591-000-070                      | Front Refractory, For Burner Mounting Plate - 4½" Burner Opening  |                                    |   |   |   |   |   |   |    |    |    |
|   | 591-000-072                      | Front Refractory, For Burner Mounting Plate - 6⅞" Burner Opening  |                                    |   |   |   |   |   |   |    |    |    |
| 11  | 562-650-105                      | Refractory Retainer Clip  |                                    |   |   |   |   |   |   |    |    |    |
| 12  | 385-600-099                      | Observation Port Assembly (Includes: Observation Port Assembly, Sealing Rope, Screws)   |                                    |   |   |   |   |   |   |    |    |    |
| 13  | 590-735-254                      | Sealing Rope ½" x 10' Packaged  |                                    |   |   |   |   |   |   |    |    |    |
| N/S   | 385-700-220                      | Combustion Chamber Kit (Includes: Back Refractory Blanket, Bottom Refractory Blanket, Adhesive, Sealing Rope, Sealing Rope Adhesive)  |                                    |   |   |   |   |   |   |    |    |    |
| 14  | 425-800-090                      | Flue Damper Assembly, Top Flue Boilers – 8" For 380-680   |                                    |   |   |   |   |   |   |    |    |    |
|   | 425-800-091                      | Flue Damper Assembly, Top Flue Boilers – 10" For 780-1180   |                                    |   |   |   |   |   |   |    |    |    |
|   | 425-800-092                      | Flue Damper Assembly, Top Flue Boilers – 12" For 1280   |                                    |   |   |   |   |   |   |    |    |    |
| 14A   | 425-800-096                      | Flue Damper Assembly, Rear Flue Boilers – 8" For 380-680  |                                    |   |   |   |   |   |   |    |    |    |
|   | 425-800-097                      | Flue Damper Assembly, Rear Flue Boilers – 10" For 780-1180  |                                    |   |   |   |   |   |   |    |    |    |
|   | 425-800-098                      | Flue Damper Assembly, Rear Flue Boilers – 12" For 1280  |                                    |   |   |   |   |   |   |    |    |    |
| N/S   | 385-800-215                      | Flue Collector Hood Hardware Kit (Includes: Flue Collector Hardware Plus Collector Hood Gasket Kit, Below)  |                                    |   |   |   |   |   |   |    |    |    |
| 15  | 463-000-003                      | Flue Collector Hood End Cap   |                                    |   |   |   |   |   |   |    |    |    |
| N/S   | 385-800-218                      | Collector Hood Gasket Kit (Includes: (2) Flue Collector Hood Gasket, (3) Circular Collector Hood Gaskets, (1) Rectangle Collector Hood Gasket, Flat-Stitched Sealing Rope, Double-Faced Tape) |                                    |   |   |   |   |   |   |    |    |    |
| 16  | Included In Gasket Kit           | Flue Collector Hood Gasket  |                                    |   |   |   |   |   |   |    |    |    |
| With Below Collector Hoods A Collector Hood Gasket Kit<br>385-800-218 Is Needed |                                  |   |                                    |   |   |   |   |   |   |    |    |    |
|   |                                  |   | Quantity Required To Make a Boiler |   |   |   |   |   |   |    |    |    |
|   |                                  |   | 3                                  | 4 | 5 | 6 | 7 | 8 | 9 | 10 | 11 | 12 |
| 17  | 450-020-300                      | 80 Collector Hood - A   | 1                                  |   |   |   | 1 | 1 |   |    |    |    |
|   | 450-020-301                      | 80 Collector Hood - B   |                                    | 1 |   |   |   |   |   |    |    |    |
|   | 450-020-302                      | 80 Collector Hood - C   |                                    |   | 1 |   | 1 |   | 2 | 1  | 1  |    |
|   | 450-020-303                      | 80 Collector Hood - D   |                                    |   |   | 1 |   | 1 |   | 1  |    | 1  |
|   | 450-020-304                      | 80 Collector Hood - E   |                                    |   |   |   |   |   |   |    | 1  | 1  |
| 18  | 463-000-001                      | Flue Cap Top  |                                    |   |   |   |   |   |   |    |    |    |
| 19  | 463-000-002                      | Flue Cap Rear   |                                    |   |   |   |   |   |   |    |    |    |
| 20  | Included In Flue Damper Assembly | Rear Flue Transition  |                                    |   |   |   |   |   |   |    |    |    |
| 21  | Included In Gasket Kit           | Circular Collector Hood Gasket  |                                    |   |   |   |   |   |   |    |    |    |
| 22  | Included In Gasket Kit           | Rectangular Collector Hood Gasket   |                                    |   |   |   |   |   |   |    |    |    |
| N/S   | 592-800-008                      | 7½" Top Elastomer Seal  |                                    |   |   |   |   |   |   |    |    |    |
|   | 592-800-009                      | 3½" Bottom Elastomer Seal   |                                    |   |   |   |   |   |   |    |    |    |
| 23  | 560-134-495                      | ⅝" x 11" Draw Rod (4 Per Joint)   |                                    |   |   |   |   |   |   |    |    |    |
| 24  | 561-928-224                      | ⅝" HEX Nut (2 Per Draw Rod)   |                                    |   |   |   |   |   |   |    |    |    |
| 25  | 562-248-710                      | ⅝" Washer (1 Per Draw Rod)  |                                    |   |   |   |   |   |   |    |    |    |
| N/S   | 591-706-214                      | Flue Brush - 42 Inches Long   |                                    |   |   |   |   |   |   |    |    |    |
|   | 592-002-030                      | Touch Up Paint - Blue / Gray - Low E 4.5oz Can  |                                    |   |   |   |   |   |   |    |    |    |

## 80 Boiler Water Trim Parts

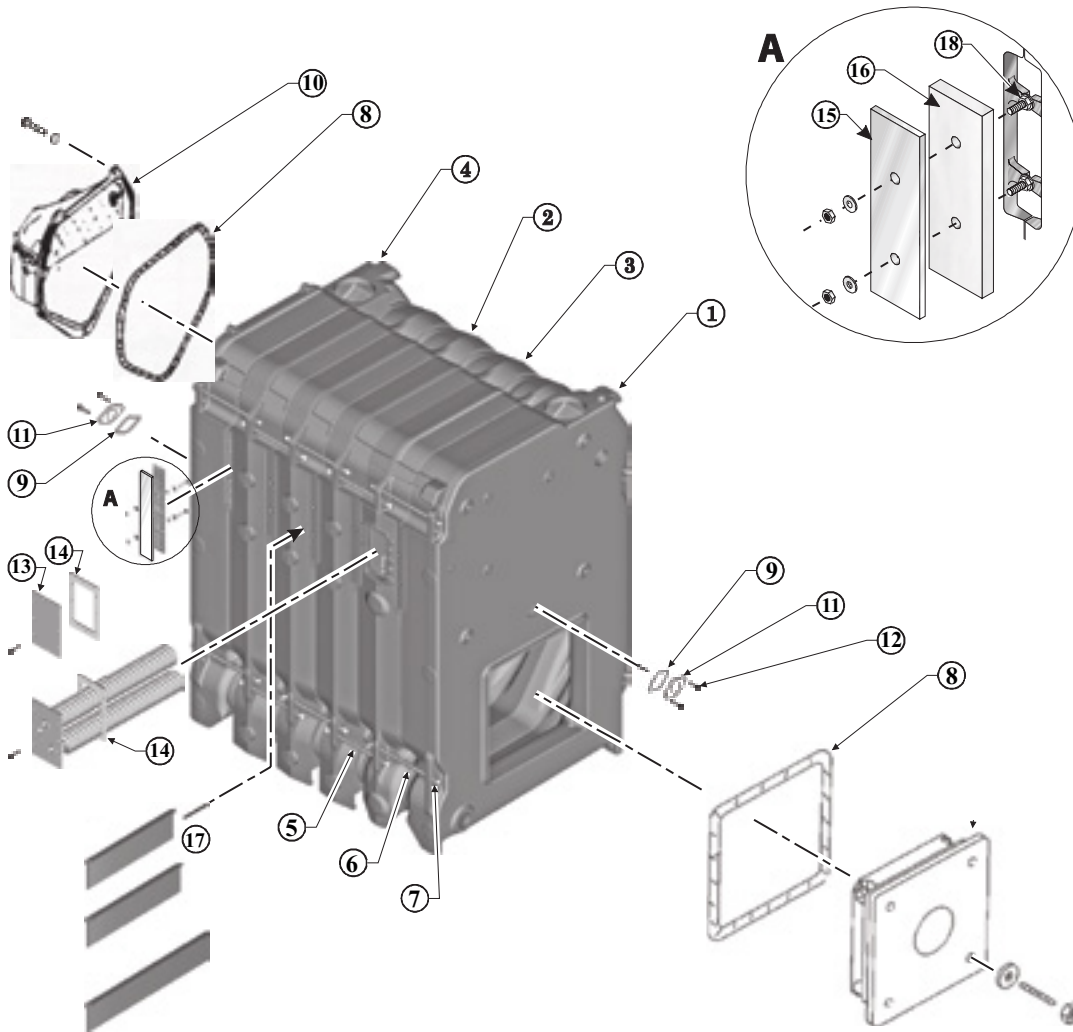
| Part No.    | Description  | Boiler Size |
|-------------|--|-------------|
| 383-600-091 | ASME Pressure Relief Valve, Set To Relieve At 30 PSIG, 3/4" N.P.T. Female Inlet, Brass, 3/4" Female Side Outlet, Rated At 510,000 BTUH   | 3, 4        |
|             | ASME Pressure Relief Valve, Set To Relieve At 30 PSIG, 3/4" N.P.T. Female Inlet, Brass, 3/4" Female Side Outlet, Rated At 510,000 BTUH   | 3, 4        |
| 383-600-063 | ASME Pressure Relief Valve, Set To Relieve At 30 PSIG, 3/4" N.P.T. Female Inlet, Brass, 3/4" Female Side Outlet, Rated At 925,000 BTUH   | 5, 6, 7, 8  |
| 383-600-092 | ASME Pressure Relief Valve, Set To Relieve At 30 PSIG, 1" N.P.T. Female Inlet, Brass, 1 1/4" Female Side Outlet, Rated At 1,300,000 BTUH   | 9, 10, 11   |
| 383-600-093 | ASME Pressure Relief Valve, Set To Relieve At 30 PSIG, 1 1/4" N.P.T. Female Inlet, Brass, 1 1/2" Female Side Outlet, Rated At 2,105,000 BTUH                                     | 12          |
| 510-218-099 | Combination Pressure Temperature Gauge, 2 1/2" Dia. Dial, 0-70 PSIG, 60-320°F Short Shank, Back Connection, 1/4" N.P.T.  | All         |
|             |  | All         |
| 510-312-065 | Combination High Limit/Low Limit Control, High Limit: 140-240°F Low Limit: 140-240°F With 5-35°F Adjustable Differential: Low Limit Must Be Set 20°F Below High Limit, Less Well | All         |
|             | Combination High Limit/Low Limit Control, High Limit: 140-240°F Low Limit: 140-240°F With 5-35°F Adjustable Differential: Low Limit Must Be Set 20°F Below High Limit, Less Well | All         |
| 590-921-917 | Tankless Heater (Includes: Heater, Gasket, Nuts and Studs)   |             |
| 560-340-577 | Stud 3/8-16" NC-2A x 1.12 Long With 3/8-16" NC Brass Nut   |             |
| 590-317-550 | Gasket Tankless Heater Cover Plate 5 1/4" x 10"  |             |
| 592-300-006 | Well, 3/4" N.P.T   | All         |

## 80 Boiler Steam Trim Parts



| Fig. No. | Part No.    | Description  | Boiler Size |
|----------|-------------|--|-------------|
| N/S      | 383-600-105 | Steam Relief Valve, Set To Relieve At 15 PSIG, 3/4" N.P.T. Inlet, 3/4" Side Outlet, 450 Lbs./Hr. Steam Capacity    | 3, 4        |
|          |             | Steam Relief Valve, Set To Relieve At 15 PSIG, 3/4" N.P.T. Inlet, 3/4" Side Outlet, 450 Lbs/Hr Steam Capacity      |             |
|          | 383-600-107 | Steam Relief Valve, Set To Relieve At 15 PSIG, 1" N.P.T. Inlet, 1" Side Outlet, 643 Lbs/Hr Steam Capacity          | 5, 6        |
|          | 383-600-108 | Steam Relief Valve, Set To Relieve At 15 PSIG, 1 1/4" N.P.T. Inlet, 1 1/2" Side Outlet, 1200 Lbs/Hr Steam Capacity | 7, 8, 9, 10 |
|          | 383-600-109 | Steam Relief Valve, Set To Relieve At 15 PSIG, 1 1/2" N.P.T. Inlet, 2" Side Outlet, 1900 Lbs/Hr Steam Capacity     | 11, 12      |
|          | 510-312-135 | Steam Pressure Control, Cut In 0-9 PSI, Additive Differential 0 To 5 PSI, 1/4" N.P.T. Connection                   | All         |
| 1        | 510-218-100 | Combination Pressure Vacuum Gauge, 0-30 PSIG, 0-30"Hg., 4 1/2" Dial, 1/4" N.P.T. Bottom Connection                 | All         |
| 2        | 510-218-145 | Water Gauge Class Cock Set, 1/2" N.P.T. Male inlet   | All         |
| N/S      | 383-600-002 | Gauge Glass, 10 5/8" Long x 5/8" Diameter With Gaskets   | All         |
|          | 563-334-595 | Gauge Glass Guards, Includes 2-12 1/2" Long x 3/16" Diameter Guards  | All         |
|          | 590-921-917 | Tankless Heater (Includes: Heater, Gasket, Nuts And Studs)   |             |
|          | 560-340-577 | Stud 3/8-16" NC-2A x 1.12 Long With 3/8-16" NC Brass Nut   |             |
|          | 590-317-550 | Gasket Tankless Heater Cover Plate 5 1/4" x 10"  |             |

## 88 - Series 1 & 2 Section Assembly Parts



| Fig. No. | Part. No.   | Description  | Notes | Series |
|----------|-------------|--|-------|--------|
| 1        | 316-301-210 | Front Section – 8823 – 80 PSI  | ■     | 1 & 2  |
| 2        | 316-301-212 | Regular Intermediate Section – 8825 – 80 PSI   | ■     | 1 & 2  |
| 3        | 316-301-214 | Tankless Intermediate Section – 8826 – PSI   | ■     | 1 & 2  |
| 4        | 316-301-211 | Back Section – 8828 – 80 PSI   | ■     | 1 & 2  |
| N/S      | 316-301-213 | Supply Intermediate Section With 5" N.P.T. Supply Outlet Tapping – 8824 – 80 PSI               | ■     | 1 & 2  |
|          | 386-300-213 | 86/88 Section Replacement Kit (Includes: Rope, Seals, Sealant, Rope Adhesive)                  |       | 1 & 2  |
| 5        | 560-134-495 | 5/8" x 11" Draw Rod - (4 Per Joint) Intermediate To Intermediate                               |       | 1      |
| 6        | 560-134-505 | 5/8" x 13" Draw Rod - (4 Per Joint) (Front or Back To Intermediate-Series 1)<br>(All Series 2) |       | 1 & 2  |
| 7        | 561-928-224 | 5/8" – 11 Nut HEX (2 Per Draw Rod)   |       | 1 & 2  |
|          | 562-248-710 | 5/8" Washer (1 Per Draw Rod)   |       | 1 & 2  |
| 8        | 590-735-140 | Rope Fiberglass 1/2" Diameter x 13' Per Joint, 7' For Burner Plate, and 6' For Collar          |       | 1 & 2  |
| N/S      | 590-735-145 | 1/8" Dia. Wick (1 For Damper Locking Plate) Type FS 125  |       | 1 & 2  |
| 9        | 590-735-150 | 3/8" Dia. Sealing Rope (1' Per Observation Port) Type MD-375                                   |       | 1 & 2  |
| N/S      | 591-638-851 | Silicone Sealant RTV700, 3 oz.   |       | 1 & 2  |



## 88 - Series 1 & 2 Section Assembly Parts

|               |                   |   |   |       |
|---------------|-------------------|---|---|-------|
| N/S           | 591-638-850       | Silicone 4500 For Sealing Rope, 10.3 oz.  |   | 1 & 2 |
|               | 591-706-214       | Flue Brush, 123 DMG   | ■ | 1 & 2 |
|               | 592-800-005       | Square Cut Seal, 9" (1 Per Joint)   |   | 1 & 2 |
|               | 592-800-007       | Square Cut Seal, 6" (1 Per Joint)   |   | 1 & 2 |
| 10            | 340-004-606       | Flue Collar Assembly, 10" (Includes: Flue Collar, Damper, Damper Quadrant, Locking Plate, Swivel and Brackets) (488-688)  |   | 1 & 2 |
|               | 340-004-607       | Flue Collar Assembly, 12" (Includes: Flue Collar, Damper, Damper Quadrant, Locking Plate, Swivel and Brackets) (788-888)  |   | 1 & 2 |
|               | 340-004-608       | Flue Collar Assembly 14" (Includes: Flue Collar, Damper, Damper Quadrant, Locking Plate, Swivel and Brackets) (988-1388)  |   | 1 & 2 |
|               | 340-004-609       | Flue Collar Assembly, 16" (Includes: Flue Collar, Damper, Damper Quadrant, Locking Plate, Swivel and Brackets) (1488-1688)  |   | 1 & 2 |
|               | 340-004-612       | Flue Collar Assembly, 18" (Includes: Flue Collar, Damper, Damper Quadrant, Locking Plate, Swivel and Brackets) (1788-1888)  |   | 1 & 2 |
| N/S           | 330-056-634       | Quadrant For Flue Collar  |   | 1 & 2 |
|               | 460-003-646       | Damper Blade For Flue Collar  |   | 1 & 2 |
|               | 563-530-784       | Damper Locking Plate For Flue Collar  |   | 1 & 2 |
| 9<br>11<br>12 | 385-600-099       | Observation Port Assembly (Includes: Frame, Sealing Rope, Plugs and Sight Glass)  |   | 1 & 2 |
| N/S           | 590-317-580       | Ceramic Fiber Gasket For Sight glass, 2 $\frac{1}{8}$ " x 1 $\frac{1}{4}$ " x $\frac{1}{8}$ "   |   | 1 & 2 |
|               | 591-419-199       | Sight Glass, 2" Round x $\frac{1}{8}$ "   |   | 1 & 2 |
| 13            | 450-030-934       | Cover Plate For Heater Opening (Rectangular)  |   | 1 & 2 |
| 14            | 590-317-579       | Gasket For Heater Cover Plate (Rectangular)   |   | 1 & 2 |
| 15            | 450-030-965       | Cleanout Plate  |   | 2     |
| 16            | 590-317-305       | Woven Fiberglass Gasket For Cleanout Plate  |   | 2     |
| 17            | 416-400-131       | 2-Flueway Kit (Includes: 2 Sets of Bars)  | ■ | 2     |
| 18            | Available Locally | Cleanout Bolts and Nuts, (2 Per Cleanout) $\frac{1}{4}$ " X 20, 1 $\frac{3}{4}$ " Zinc Plated, Carriage Bolts, $\frac{1}{4}$ " Plain Washer, $\frac{1}{4}$ " X 20 HEX Nut |   | 1 & 2 |
| N/S           | 386-300-211       | 88 Combustion Chamber Kit   | ■ | 1 & 2 |
|               | 560-340-577       | $\frac{3}{8}$ " x 1 $\frac{1}{8}$ " Stud & Nut For Heater Cover Plate   |   | 1 & 2 |
|               | 591-632-612       | Waterglass (4 oz. Bottle)   |   | 1 & 2 |
|               | 562-248-744       | Grommet Jacket Observation Port   |   | 2     |
|               | 592-002-030       | Touch Up Paint - Blue / Gray - Low E 4.5oz Can  |   | 1     |
|               | 592-002-033       | Touch Up Paint - Black - Low E 4.5oz Can  |   | 2     |
|               | 592-002-032       | Touch Up Paint - Putty - Low E 4.5oz Can  |   | 2     |

■ Indicated current TPS R/C Product

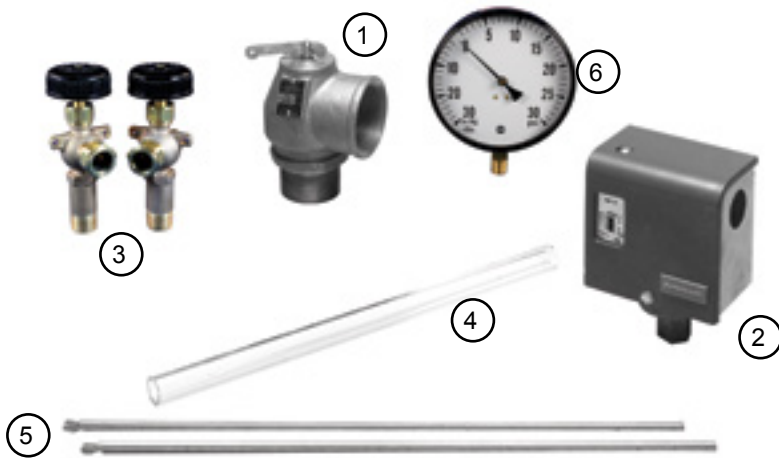
## 88 - Series 1 & 2 Water Trim Parts



| Fig. No. | Part No.    | Description  | Boiler Size | Series |
|----------|-------------|--|-------------|--------|
| 1        | 383-600-092 | ASME Pressure Relief Valve, Set To Relieve At 30 PSIG, 1" Inlet x 1¼" Brass, Side Outlet           | 4-5         | 1 & 2  |
|          | 383-600-093 | ASME Pressure Relief Valve, Set To Relieve At 30 PSIG, 1¼" Inlet x 1½" Brass Side Outlet           | 6 – 8       | 1 & 2  |
|          | 383-600-094 | ASME Pressure Relief Valve, Set To Relieve At 30 PSIG, 1½" Inlet x 2" Brass, Side Outlet           | 9 – 11      | 1 & 2  |
|          | 383-600-095 | ASME Pressure Relief Valve, Set To Relieve At 30 PSIG, 2" Inlet x 2½" Brass, Side Outlet           | 12 – 18     | 1 & 2  |
| 2        | 510-312-065 | Combination High Limit/Low Limit Control Less Well High Limit: 130-240° F<br>Low Limit: 115-240° F | All Sizes   | 1      |
|          |             |  | All Sizes   | 1      |
| 3        | 510-218-065 | Combination Pressure/Temperature Gauge, 0-55 PSIG, 60-260° F, Back Connection, ½" N.P.T, 2½" Shank | All Sizes   | 1      |
|          |             |  | All Sizes   | 1      |
| 4        | 510-312-090 | Combination Operating Limit and Manual Reset High Limit  | All Sizes   | 2      |
| 5        | 510-218-080 | Combination Pressure/Temperature Gauge, 0-200 PSIG, 60-260° F, Back Connection, ½" N.P.T 3¼" Shank | All Sizes   | 2      |
| N/S      | 510-218-099 | Combination Pressure/Temperature Gauge, 0-55 PSIG, 60-260° F, Back Connection, ½" N.P.T 2½" Shank  | All Sizes   | 1      |
|          | 590-921-909 | Tankless Heater – (Includes: Heater, Gasket, Nuts and Studs)                                       |             | 1 & 2  |
|          | 560-340-577 | Stud ⅜-16" NC-2A x 1.12 Long With ⅜-16" NC Brass Nut   |             |        |
|          | 590-317-579 | Gasket Tankless Heater Cover Plate 5¼" x 10"   |             |        |
|          | 592-300-006 | Well, ¾" N.P.T   |             |        |

GAS/OIL

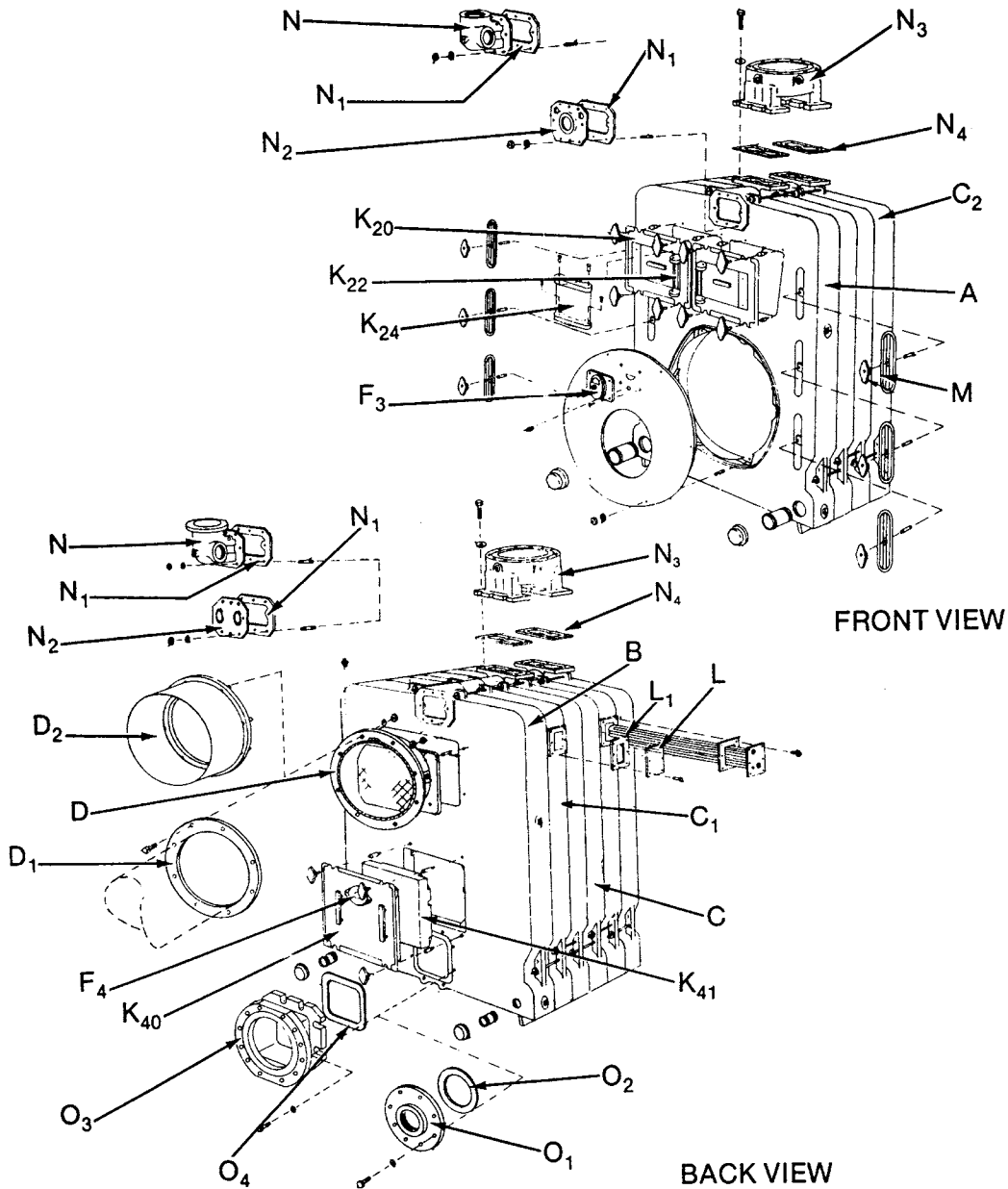
## 88 - Series 1 & 2 Steam Trim Parts



| Relief Valves     |               |           |       |             |             |
|-------------------|---------------|-----------|-------|-------------|-------------|
| 88<br>Series<br>1 | 4-5           | 1¼" x 1½" | 1,200 | 1           | 383-600-108 |
|                   | 6-7           | 1½" x 2"  | 1,900 | 1           | 383-600-109 |
|                   | 8-10          | 2" x 2"   | 2,500 | 1           | 383-600-110 |
|                   | 11            | 1" x 1"   | 643   | 1           | 383-600-107 |
|                   |               | 2" x 2"   | 2,500 | 1           | 383-600-110 |
|                   | 12-14         | 1¼" x 1½" | 1,200 | 1           | 383-600-108 |
|                   |               | 2" x 2"   | 2,500 | 1           | 383-600-110 |
| 15-18             | 2" x 2"       | 5,000     | 2     | 383-600-110 |             |
| 88<br>Series<br>2 | 4-5           | 1¼" x 1½" | 1,200 | 1           | 383-600-108 |
|                   | 6-7           | 1½" x 2"  | 1,900 | 1           | 383-600-109 |
|                   | 8-9           | 2" x 2"   | 2,500 | 1           | 383-600-110 |
|                   | 10R,<br>10-11 | 2" x 2"   | 2,500 | 1           | 383-600-110 |
|                   |               | 1" x 1"   | 643   | 1           | 383-600-107 |
|                   | 12-14         | 1½" x 2"  | 1,900 | 1           | 383-600-109 |
|                   |               | 2" x 2"   | 2,500 | 1           | 383-600-110 |
|                   | 15-18         | 2" x 2"   | 5,000 | 2           | 383-600-110 |

| Fig. No. | Part No.    | Description  | Boiler Size                                   |
|----------|-------------|--|---|
| 1        | 383-600-107 | Steam Safety Valve, 1" N.P.T. Inlet, Side Outlet, 643 Lbs/Hr. Capacity, Brass. See Chart Above.    | 11  |
|          | 383-600-108 | Steam Safety Valve, 1¼" N.P.T. Inlet, Side Outlet, 1,200 Lbs/Hr. Capacity, Brass. See Chart Above. | 4-5, 12-14                                    |
|          | 383-600-109 | Steam Safety Valve, 1½" N.P.T. Inlet, Side Outlet, 1,900 Lbs/Hr. Capacity Brass. See Chart Above.  | 6 – 7   |
|          | 383-600-110 | Steam Safety Valve, 2" N.P.T. Inlet, Side Outlet, 2,500 Lbs/Hr. Capacity Brass (See Chart Above)   | (2 required)<br>8-14<br>(2 required)<br>15-18 |
| 2        | 510-312-135 | High Pressure Limit, Operating Range: 0-9 PSIG Differential: 0-5 PSIG                              | (2 required)<br>All Sizes                     |
|          | 510-312-135 | High Pressure Limit, Operating Range: 0-9 PSIG Differential: 0-5 PSIG                              | (2 required)<br>All Sizes                     |
| 3        | 510-218-145 | Water Gauge Glass Cocks, Set of Two ½" N.P.T. Male Inlet   | All Sizes                                     |
| 4        | 383-600-002 | Water Gauge Glass Kit (Includes: Glass, Gaskets, and Brass Washers)                                | All Sizes                                     |
| 5        | 563-334-595 | Gauge Glass Guard 12½" Long x 3/16" Dia  | (2 required)<br>All Sizes                     |
| 6        | 510-218-100 | Combination Pressure-Vacuum Gauge, 0-30 PSIG, 0-30" High 4½" Dial, Bottom Connection, ¼" N.P.T.    | All Sizes                                     |
| N/S      | 590-921-909 | Tankless Heater (Includes: Heater, Gasket, Nuts and Studs)   |   |
|          | 560-340-577 | Stud ⅜"-16" NC-2A x 1.12 Long With ⅜"-16" NC Brass Nut   |   |
|          | 590-317-579 | Gasket Tankless Heater Cover Plate 5¼" x 10"   |   |

## 94 - Series 1 Through 3 Section Assembly Parts



| Fig. No. | Part No.    | Description  | Series No. |
|----------|-------------|--|------------|
| A        | 317-802-500 | Front Section 9217   | 1, 2       |
|          | 318-102-508 | Front Section 9517, 80 PSI   | 3          |
| B        | 318-102-480 | Back Section, Water & Steam With 8" Return Flange 94118              | 1, 2       |
|          | 318-102-518 | Back Section, Water & Steam With 8" Return Flange 9518, 80 Psi       | 3          |
|          | 318-102-482 | Back Section Water Only For 10" Return Flange Adapter 94218          | 1, 2       |
|          | 318-102-528 | Back Section Water Only For 10" Return Flange Adapter, 95218, 80 Psi | 3          |
| C        | 318-102-538 | Regular Intermediate Section, 9515, 80 PSI                           | 3          |
| N/S      | 318-102-440 | Regular Intermediate Section 9415                                    | 1, 2       |
|          | 318-102-450 | Tankless Intermediate Section, 9416                                  | 1,2        |
| C1       | 318-102-548 | Tankless Intermediate Section, 9516, 80 PSI                          | 3          |

## 94 - Series 1 Through 3 Section Assembly Parts

| Fig. No.    | Part No.  | Description   | Series No. |
|-------------|---|---|------------|
| C2          | 318-102-448   | Supply Intermediate Section 9419  | 1, 2       |
|             | 318-102-578   | Supply Intermediate Section 9519, 80 PSI  | 3          |
| N/S         | 388-135-020   | 90-92-94 Split Nipple Replacement Kit (1 Per Joint)   | 1, 2       |
|             | 388-135-010   | Section Assembly Kit (1 Per Joint)  | 3          |
|             | 592-800-007   | 6" Dia. Bottom Elastomer Seal (2 Per Joint)   | 3          |
|             | 592-800-005   | 9" Dia. Bottom Elastomer Seal (1 Per Joint)   | 3          |
|             | 560-134-490   | 5/8" X 10" Draw Rod Without Nut, Intermediate To Intermediate (4 Per Joint)   | 1, 2, 3    |
|             | 560-134-495   | 5/8" X 11" Draw Rod Without Nut, Front or Back To Intermediate (4 Per Joint)  | 1, 2, 3    |
|             | 561-928-224   | 5/8" Nut (2 Per Draw Rod)   | 1, 2, 3    |
|             | 562-248-710   | 5/8" Washer (1 Per Draw Rod)  | 1, 2, 3    |
|             | 591-706-185   | Flue Brush  | 1, 2, 3    |
|             | 591-706-222   | Flue Brush Rod, 44"   | 1, 2, 3    |
|             | 591-706-223   | Flue Brush Rod, 62"   | 1, 2, 3    |
|             | 591-706-240   | Flue Brush Spacer, 48"  | 1, 2, 3    |
|             | 591-706-226   | Flue Brush Handle, Flexible Wire  | 1, 2, 3    |
|             | 590-735-145   | 1/8" Dia. Sealing Wick, (3' For Front Observation Port, 1' For Relief Plate Stud, 1' For Damper Locking Plate) – TP500 Type FS 125                        | 1, 2, 3    |
|             | 590-735-150   | 3/8" Dia. Sealing Rope, (6' For Rear Access Shield, 2' For Rear Observation Port, 12' For Draft Hood Counter Flange, 3' Per Cleanout Plate)- TP1000 MD375 | 1, 2, 3    |
|             | 590-735-140   | 1/2" Dia. Sealing Rope, (9' For Burner Plate, 6' For Draft Hood Collar, 6' For Rear Access Door, and 6' Per Clean Out Door                                |            |
|             | 590-735-154   | 5/8" Dia. Silicone Coated Sealing Rope For Section Perimeter, 22' Cut   | 1, 2, 3    |
|             | 590-735-153   | 5/8" Dia. Sealing Rope- TP500 Type XI-625-60-5, 12' Cut To Length   | 1, 2, 3    |
|             | 591-638-850   | Silicone 4500 For Sealing Rope (10.3 Oz. Tube)  | 1, 2, 3    |
|             | 591-638-855   | Sealant, Loctite AVV, 50 CC Bottle  | 1, 2       |
| 591-638-851 | Silicone Sealant (RTV 108 or Equivalent) (3 Oz. Tube) | 3   |            |
| D           | 340-004-616   | Flue Collar Assembly, 20" (Includes: Flue Collar With Flange, Damper, Damper Quadrant, Locking Plate, Swivel, Bracket, Counter-Flange and Rope)           | 1, 2, 3    |
| N/S         | 330-056-634   | Quadrant Flue Collar 8474   | 1, 2, 3    |
|             | 460-003-640   | Damper Blade For Flue Collar  | 1, 2, 3    |
|             | 563-530-784   | Damper Locking Plate  | 1, 2, 3    |
|             | 560-340-570   | Stud 1/2" X 4 1/4" Dap 104A   | 1, 2, 3    |
| D1          | 460-030-930   | Counterflange For 20" Flue 8 1/2" - 13X2" In H Box, Bolts With Washers  | 1, 2, 3    |
| D2          | 460-030-936   | Flue Adapter, 22" Steel 22-2594   | 1, 2, 3    |
| F3          | 340-004-620   | Front Observation Port Assembly #462 (Includes: Bottom, Intermediate And Top Observation Port Plates, Spring, Rope and Sight Glass)                       | 1, 2, 3    |
| F4          | 385-600-099   | Back Observation Port Assembly (Includes: Frame, Rope, Gasket, Plugs and Sight Glass)   | 1, 2, 3    |
| N/S         | 591-419-199   | Back Sight Glass  | 1, 2, 3    |
|             | 590-317-580   | Washer For Back Sight Glass   | 1, 2, 3    |
| K20         | 340-004-740   | Cleanout Door Assembly #474 (Includes: Door, Hinge, Hinge Plate, Handle, Liner and Accessories)   | 1, 2, 3    |
| N/S         | 340-004-635   | Wing Nut Assembly With 3/8" X 1 1/4" Stud (Threads Into Mounting Stud) 9256   | 1, 2, 3    |
|             | 560-340-560   | Mounting Stud 92P112a   | 1, 2, 3    |
| K22         | 330060-500  | Hinge For Cleanout Door 9254  | 1, 2, 3    |

**94 - Series 1 Through 3  
Section Assembly Parts Continued**

| Fig. No. | Part No.    | Description   | Series No. |
|----------|-------------|---|------------|
| K24      | 330-060-400 | Hinge Plate For Cleanout Door 9253  | 1, 2, 3    |
| N/S      | 590-524-867 | Liner For Cleanout Door   | 1, 2, 3    |
| K40      | 340-004-700 | Back Access Door Assembly (Includes: Door Liner, Handle and Rope)               |            |
|          | 387-834-906 | Refractory Liner For Back Access Door - Inside Of Door                          |            |
|          | 560-340-560 | Mounting Stud 92S112a   |            |
| K41      | 387-834-905 | Refractory Shield For Back Access Door - Towards Flame Side Of Door             | 1, 2, 3    |
| L        | 387-800-500 | Heater Cover Plate Carton (Includes: Door Liner, Handle and Rope)               | 1, 2, 3    |
| L1       | 590-317-544 | Tankless Gasket   | 1, 2, 3    |
| M        | 330-061-000 | Cleanout Plate 9254   | 1, 2, 3    |
|          | 330-060-700 | Wing Nut Cleanout With ½" Tapping 9256  | 1, 2, 3    |
|          | 560-340-570 | Stud ½" X 4 " DAP 104A, 92P112A - Purchase Locally                              | 1, 2, 3    |
| N        | 330-060-200 | 6" Supply Elbow, Water Only Tapped, 9246  | 1, 2, 3    |
|          | 330-060-300 | 8" Supply Elbow, Water Only Tapped, 9248A                                       | 1, 2, 3    |
|          | 330-060-310 | 8" Supply Elbow, Steam Only Tapped, 92481-S                                     | 1, 2, 3    |
| N1       | 590-317-546 | Gasket For Supply Outlet (2 Required), 1 For Front Supply And 1 For Rear Supply | 1, 2, 3    |
|          | 560-340-579 | Stud ⅝" X 3" 92P151A  | 1, 2, 3    |
| N2       | 330-062-005 | Cover Plate For Supply Outlet, 2-2", 9440                                       | 3          |
|          | 330-059-910 | Cover Plate For Supply Outlet, 4", 92140  | 1, 2, 3    |
| N3       | 330-060-210 | Top Supply Outlet, 10" Flanged, 92410   | 1, 2, 3    |
| N4       | 590-317-625 | Gasket For Top Supply Outlet, 10" (2 Required Per Fitting)                      | 1, 2, 3    |
| O1       | 388-135-300 | Return Flange Reducer, 8" To 6", 086  | 1, 2, 3    |
| O2       | 590-317-572 | Gasket For Return Flange Reducer, Round   | 1, 2, 3    |
| O3       | 330-062-001 | Return Flange Adapter, 10", 9410  | 1, 2, 3    |
| O4       | 590-317-620 | Gasket For Return Flange Adapter, Rectangular                                   | 1, 2, 3    |
| N/S      | 592-002-030 | Touch Up Paint - Blue/Gray - Low E 4.5oz Can                                    | All        |

## 94 - Series 1 Through 3 Water Trim Parts

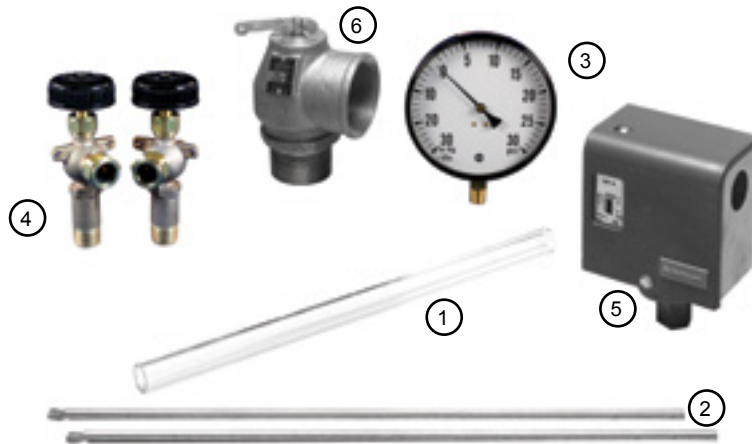


| Fig. No. | Part No.    | Description  | Boiler Size                         |
|----------|-------------|--|-------------------------------------|
| 1        | 383-600-092 | ASME Pressure Relief Valve, 1" Inlet x 1¼" Side Outlet, Brass, 30 PSIG                         | 21-23                               |
|          | 383-600-093 | ASME Pressure Relief Valve, 1¼" Inlet x 1½" Side Outlet, Brass 30 PSIG                         | 8, 24-25                            |
|          | 383-600-094 | ASME Pressure Relief Valve, 1½" Inlet X 2" Side Outlet, Brass, 30 PSIG                         | 9-10(1-required)<br>20 (2-required) |
|          | 383-600-095 | ASME Pressure Relief Valve, 2" Inlet x 2½" Side Outlet, Brass, 30 PSIG                         | 11-19<br>21-25                      |
| 2        | 510-312-065 | Combination High Limit/Low Limit Control High Limit: 130-240°F Low Limit: 115-240°F, Less Well | All<br>All                          |
| 3        | 510-218-065 | Combination Pressure-Temperature Gauge 0-50 PSIG 60-260°F Back Connection, ½" N.P.T.           | All<br>All                          |
| N/S      | 590-921-910 | Tankless Heater, (Includes: Heater, Gasket, Nuts and Studs)                                    |                                     |
|          | 560-340-577 | Stud ⅜-16" NC-2A x 1.12 Long With ⅜-16" NC Brass Nut   |                                     |
|          | 590-317-550 | Gasket Tankless Heater Cover Plate 5¼" x 10"   |                                     |
|          | 592-300-006 | Well, ¾" N.P.T   |                                     |

### Quantity Of Relief Valve/s Per 94 Series 3 Boiler Size

| Relief Valve P/N | 8 | 9 | 10 | 11 | 12 | 13 | 14 | 15 | 16 | 17 | 18 | 19 | 20 | 21 | 22 | 23 | 24 | 25 |
|------------------|---|---|----|----|----|----|----|----|----|----|----|----|----|----|----|----|----|----|
| 383-600-092      |   |   |    |    |    |    |    |    |    |    |    |    |    | 1  | 1  | 1  |    |    |
| 383-600-093      | 1 |   |    |    |    |    |    |    |    |    |    |    |    |    |    |    | 1  | 1  |
| 383-600-094      |   | 1 | 1  |    |    |    |    |    |    |    |    |    | 2  |    |    |    |    |    |
| 383-600-095      |   |   |    | 1  | 1  | 1  | 1  | 1  | 1  | 1  | 1  | 1  |    | 1  | 1  | 1  | 1  | 1  |

## 94 - Series 1 Through 3 Steam Trim Parts



| Fig. No. | Part No.    | Description  | Boiler Size        |
|----------|-------------|--|--------------------|
| 1        | 383-600-002 | Gauge Glass Kit (Includes: Glass, Gaskets and Brass Washers)                               | All                |
| 2        | 563-334-595 | Gauge Glass Guard 3/16" Dia. X 12½" Long   | All (2 per Boiler) |
| 3        | 510-218-100 | Combination Pressure-Vacuum Gauge 0-30 PSIG 0-30"HG. 4½" Dial Bottom Connection N.P.T.     | All                |
| 4        | 510-218-145 | Water Gauge Glass Cock Set - ½" NPT Male Inlet - Long Stem                                 | All                |
| 5        | 510-312-135 | High Pressure Limit Operating Range: 0-9 PSIG Differential: 0-5 PSIG                       | All (2-Required)   |
|          | 510-312-135 | High Pressure Limit Operating Range: 0-9 PSIG Differential: 0-5 PSIG                       | All (2-Required)   |
| 6        | 383-600-108 | Steam Safety Valve 1¼" Inlet Set To Relieve At 15 PSIG Side Outlet 1,200 Lbs./Hr. Capacity | See Table Below    |
|          | 383-600-109 | Steam Safety Valve 1½" Inlet Set To Relieve At 15 PSIG Side Outlet 1,900 Lbs./Hr. Capacity | See Table Below    |
|          | 383-600-110 | Steam Safety Valve 2" Inlet Set To Relieve At 15 PSIG Side Outlet 2,500 Lbs./Hr. Capacity  | See Table Below    |
|          | 383-600-111 | Steam Safety Valve 2½" Inlet Set To Relieve At 15 PSIG Side Outlet 3,529 Lbs./Hr. Capacity | See Table Below    |
| N/S      | 590-921-910 | Tankless Heater, (Includes: Heater, Gasket, Nuts and Studs)                                |                    |
|          | 560-340-577 | Stud ⅜-16" NC-2A x 1.12 Long With ⅜-16" NC Brass Nut                                       |                    |
|          | 590-317-550 | Gasket Tankless Heater Cover Plate 5¼" x 10"   |                    |

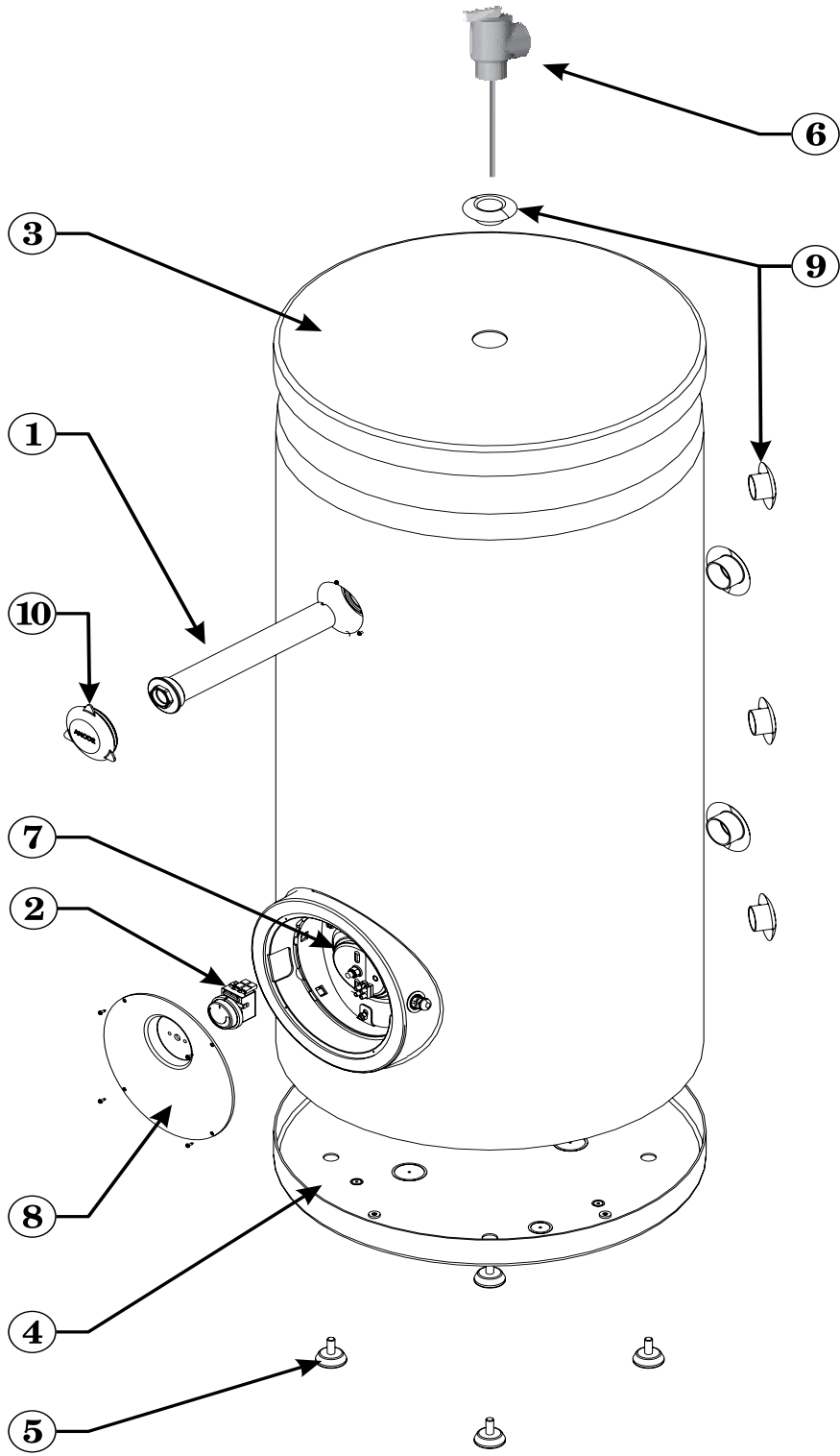
### Quantity Relief Valve/s Per 94 Series 3 Boiler Size

| Relief Valve P/N | 8 | 9 | 10 | 11 | 12 | 13 | 14 | 15 | 16 | 17 | 18 | 19 | 20 | 21 | 22 | 23 | 24 | 25 |
|------------------|---|---|----|----|----|----|----|----|----|----|----|----|----|----|----|----|----|----|
| 383-600-108      |   |   | 1  | 1  |    |    |    |    |    |    |    |    |    |    |    |    |    |    |
| 383-600-109      |   |   | 1  | 1  | 2  | 2  | 1  | 1  |    |    |    | 1  |    |    |    |    |    |    |
| 383-600-110      | 1 | 1 |    |    |    |    | 1  | 1  | 2  | 2  | 2  |    | 1  | 1  |    |    |    |    |
| 383-600-111      |   |   |    |    |    |    |    |    |    |    |    | 1  | 1  | 1  | 2  | 2  | 2  | 2  |



# NOTES

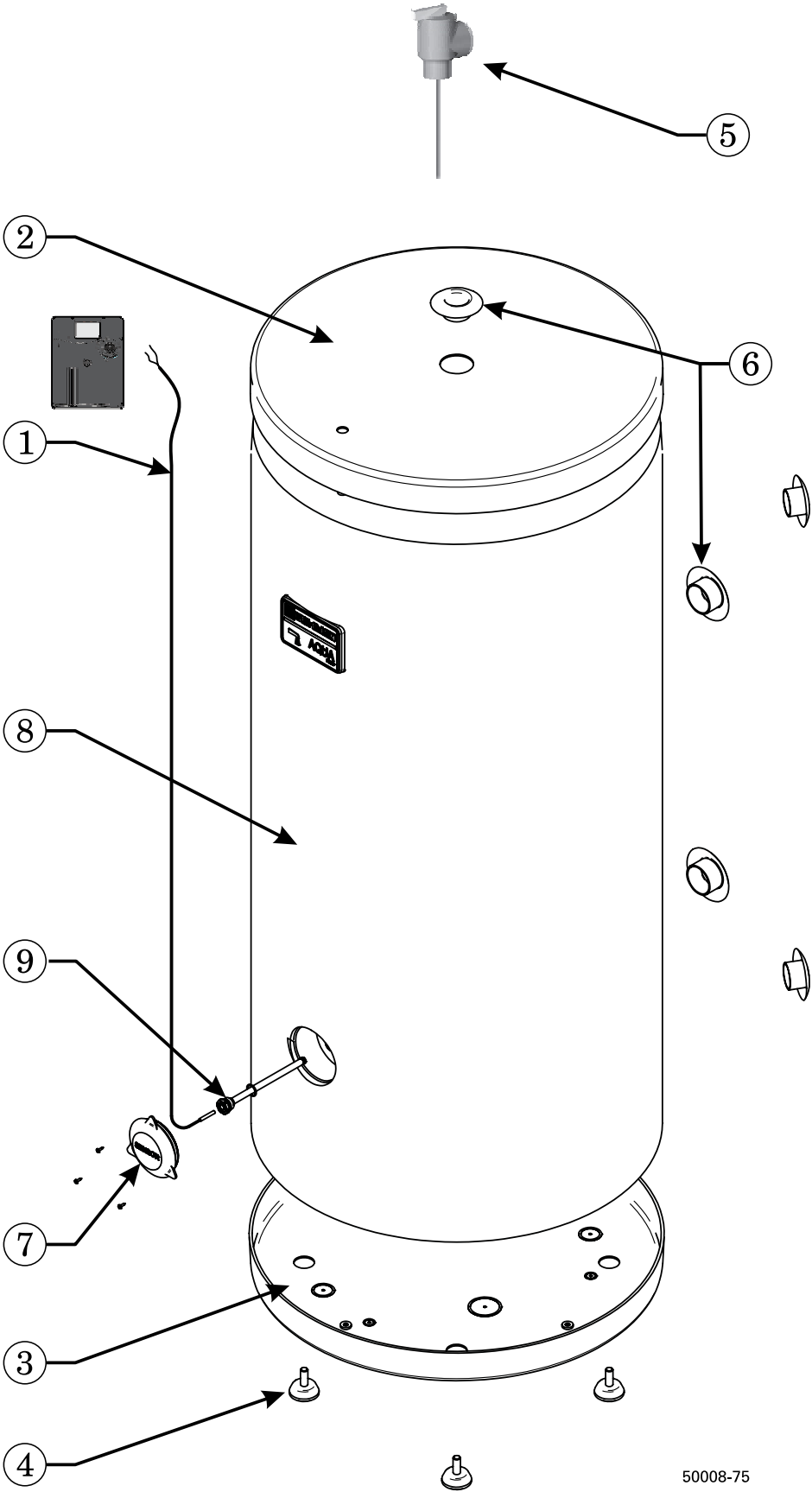
# Aqua Plus Water Heater - Series 1



## Aqua Plus Water Heater - Series 1 Parts

| Fig. No. | Part No.    | Description   | Model       |
|----------|-------------|---|-------------|
| 1        | 633-500-014 | Magnesium Anode Replacement Kit Includes (Anode Rod, O-ring, Insulating Washer and Brass Bushing & Instructions) 12.5 Inches Long 1¼" Socket Needed | 35/45/55/85 |
|          | 633-500-016 | Magnesium Anode Replacement Kit Includes (Anode Rod, O-ring, Insulating Washer and Brass Bushing & Instructions) 13.8 Inches Long 1¼" Socket Needed | 105         |
| 2        | 633-500-020 | Thermostat Repair Kit (Includes Thermostat, and Instructions)   | 35/45/55/85 |
|          | 633-500-021 |   | 105         |
| 3        | 633-500-024 | Top Plastic Cap Replacement Kit   | 35/45/55    |
|          | 633-500-025 |   | 85          |
|          | 633-500-026 |   | 105         |
| 4        | 633-500-030 | Bottom Plastic Cap Replacement Kit (Plastic Cap and 4 Screws)   | 35/45/55    |
|          | 633-500-031 |   | 85          |
|          | 633-500-032 |   | 105         |
| 5        | 633-500-036 | Leveling Leg Replacement Kit  | All         |
| 6        | 633-500-038 | Temperature & Pressure Relief Valve Kit-(Includes - Watts EF-LF 100XL) 150 P.S.I., 210°, ¾" N.P.T.  | 35/45/55    |
|          | 633-500-039 | Temperature & Pressure Relief Valve Kit-(Includes - Watts LF - 40XL-5 ) 150 P.S.I., 205°, ¾" N.P.T.   | 85/105      |
| N/S      | 633-500-042 | Inspection and Service Kit (Includes Inspection Plate Gasket and Anode Gasket)  | All         |
| 7        | 633-500-044 | Inspection Plate Replacement Kit  | All         |
| 8        | 633-500-046 | Inspection Hatch Cover Replacement Kit  | All         |
| 9        | 633-500-064 | Fitting Grommet   | ¾"          |
|          | 633-500-037 |   | 1"          |
| 10       | 633-500-048 | Anode Cover   | All         |
| N/S      | 633-500-049 | Jacket Replacement Kit-(Includes Jacket and Instructions)   | 35, Pewter  |
|          | 633-500-050 |   | 45, Pewter  |
|          | 633-500-051 |   | 55, Pewter  |
|          | 633-500-052 |   | 85, Pewter  |
|          | 633-500-053 |   | 105, Pewter |
|          | 633-500-054 |   | 35, Gold    |
|          | 633-500-055 |   | 45, Gold    |
|          | 633-500-056 |   | 55, Gold    |
|          | 633-500-012 | Mixing Valve Kit, 1"  | All         |

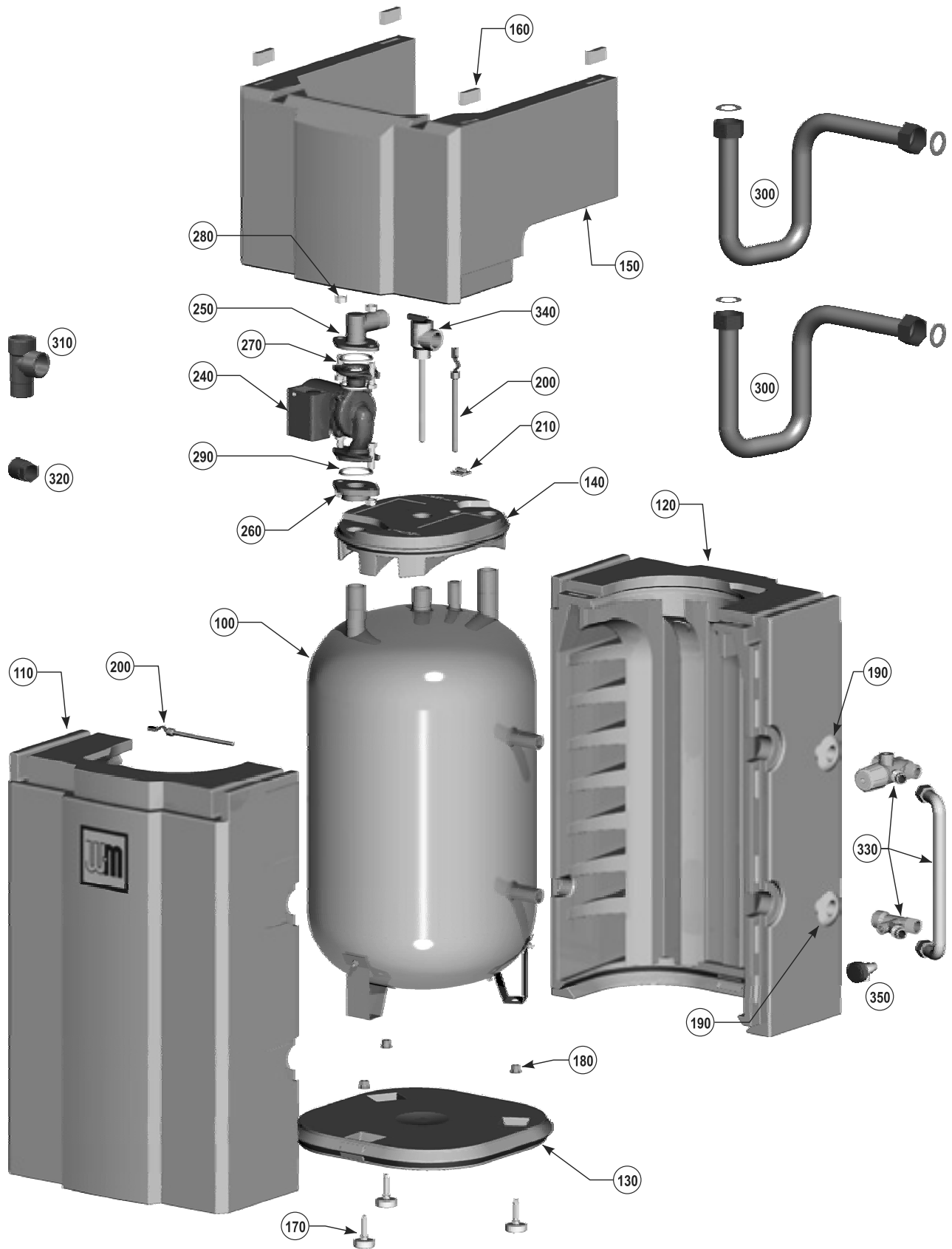
# Aqua Plus Water Heater Series 2



## Aqua Plus Water Heater Series 2 - Parts

| Fig. No. | Part No.    | Description  | Model       |
|----------|-------------|--|-------------|
| 1        | 633-600-012 | Thermostat Repair Kit - (Includes Control And Sensor)  | All         |
| 2        | 633-500-024 | Top Plastic Cap Replacement Kit  | 35/45/55    |
|          | 633-500-025 |  | 85          |
|          | 633-500-026 |  | 105         |
| 3        | 633-500-030 | Bottom Plastic Cap Replacement Kit (Plastic Cap and 4 Screws)  | 35/45/55    |
|          | 633-500-031 |  | 85          |
|          | 633-500-032 |  | 105         |
| 4        | 633-500-036 | Leveling Leg Replacement Kit   | All         |
| 5        | 633-500-038 | Temperature & Pressure Relief Valve Kit-(Includes - Watts EF-LF 100XL)<br>150 P.S.I., 210°, ¾" N.P.T.  | 35/45/55    |
|          | 633-500-039 | Temperature & Pressure Relief Valve Kit-(Includes - Watts LF - 40XL-5 )<br>150 P.S.I., 205°, ¾" N.P.T. | 85/105      |
| 6        | 633-500-064 | Fitting Grommet  | ¾"          |
|          | 633-500-037 |  | 1"          |
| 7        | 633-500-131 | Sensor Cover   | All         |
| 8        | 633-500-132 | Jacket Replacement Kit-(Includes Jacket and Instructions)  | 35, Pewter  |
|          | 633-500-133 |  | 45, Pewter  |
|          | 633-500-134 |  | 55, Pewter  |
|          | 633-500-135 |  | 85, Pewter  |
|          | 633-500-136 |  | 105, Pewter |
| 9        | 633-500-137 | Thermo Well  | All         |
| N/S      | 633-500-012 | Mixing Valve Kit, 1"   | All         |

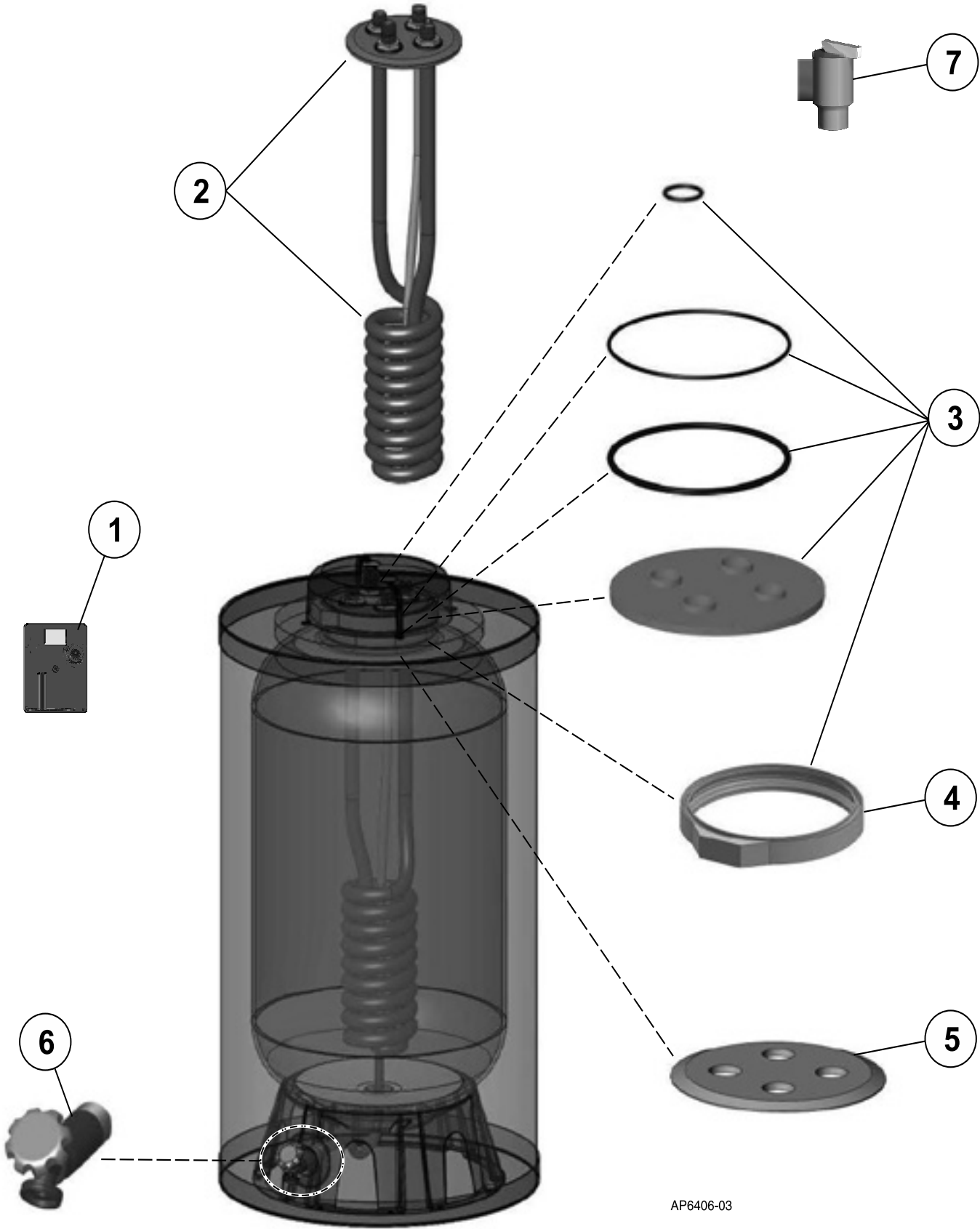
# AquaLogic WM97+ Companion Water Heater



## AquaLogic WM97+ Companion Water Heater Parts

| Fig No. | Part No.    | Description  |
|---------|-------------|--|
| 100     | 635-900-059 | Tank   |
| 110     | 383-700-211 | Jacket Front   |
| 120     | 634-200-215 | Jacket Back  |
| 130     | 634-200-216 | Jacket Bottom  |
| 140     | 383-700-212 | Jacket Top   |
| 150     | 634-200-218 | Jacket Pipe Access Cover   |
| 160     | 563-039-981 | Jacket Retainer Magnets - (4 Required)   |
| 170     | 590-424-256 | Leveling Legs - (3 Required)   |
| 180     | 561-928-450 | Riveted Nuts   |
| 190     | 562-248-756 | Grommet, 1.22" O.D. - (2 Required)   |
| 200     | 383-700-210 | Temperature Sensor - (2 Required)  |
|         | 383-700-213 | Sensor Well - Top Sensor - 12k ohm   |
|         | 383-700-214 | Sensor Well - Bottom Sensor - 12k ohm  |
| 210     | 562-650-119 | Temperature Sensor Clip - (Holds Down Sensor By Securing Sensor Wires)   |
| N/S     | 591-391-998 | Wire Harness, Top and Lower Temperature Sensors  |
| N/S     | 591-391-999 | Wire Harness, Circulator   |
| 240     | 511-405-146 | Circulator, Taco (0015)-3-Speed With Integral Flow/Check Valve. <b>(Do Not Substitute)</b>                                   |
| 250     | 560-907-735 | Circulator Flange With 90-Degree Elbow   |
| 260     | 563-910-026 | Circulator Flange, 1" N.P.T  |
| 270     | 562-136-260 | Circulator Flange Bolts  |
| 280     | 561-928-235 | Circulator Flange Nuts   |
| 290     | 590-317-543 | Circulator Flange Gasket   |
| 300     | 560-907-700 | Flexible Boiler Water Connector, 1" N.P.T Both Ends - (Includes Rubber Grommet on Each End)<br>2 Required                    |
| 310     | 561-550-096 | Tee, 1" FNPT X 1" FNPT X 1" MNPT   |
| 320     | Local       | Bushing, 1" X ¾" N.P.T - Purchase Locally  |
| 330     | 383-700-209 | Mixing Valve Kit, Honeywell AMX302TLF - (Includes Mixing Valve, Inlet Water Fitting, and Flexible Cold Water Connector Pipe) |
| 340     | 633-500-038 | T&P Relief Valve, ¾" N.P.T, 150 PSI, 105MBH  |
| 350     | 511-246-402 | Drain Valve, ¼" N.P.T  |
| N/S     | 635-500-163 | Flex Line Insulation Kit - (Includes 2 Pieces Of Insulation and Instructions)  |

# Aqua Pro Water Heater



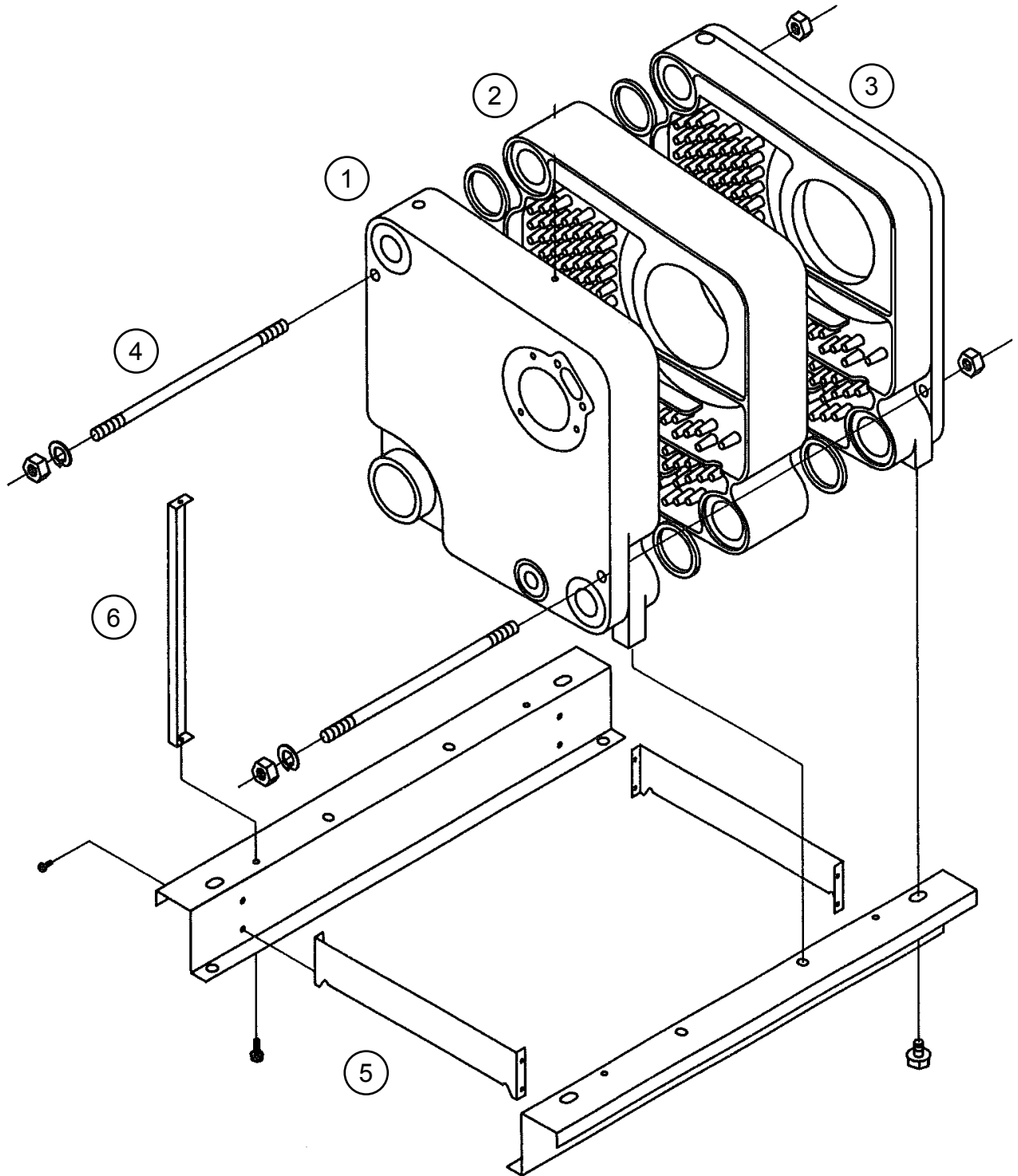
AP6406-03



## Aqua Pro Water Heater

| Fig. No. | Part No.    | Description   | Model  |
|----------|-------------|---|--------|
| 1        | 633-600-011 | Control Kit   | All    |
| 2        | 633-500-204 | Coil Kit  | 30/55  |
|          | 633-500-205 |   | 80     |
|          | 633-500-210 |   | 119    |
| 3        | 633-500-206 | Gasket Kit  | 30/55  |
|          | 633-500-211 |   | 80/119 |
| 4        | 633-500-208 | V- Clamp  | All    |
| 5        | 633-500-209 | Steel Plate - 8.15"                                 | 30/55  |
|          | 633-500-212 |   | 80/119 |
| 6        | 633-500-207 | Brass Drain Valve - $\frac{3}{4}$ "                 | All    |
| 7        | 633-500-038 | Temperature/Pressure Relief Valve - $\frac{3}{4}$ " | 30/55  |
|          | 633-500-039 |   | 80/119 |
| N/S      | 633-500-012 | Mixing Valve - 1" Optional                          | All    |

### GV - Series 1 & 2 Section Assembly



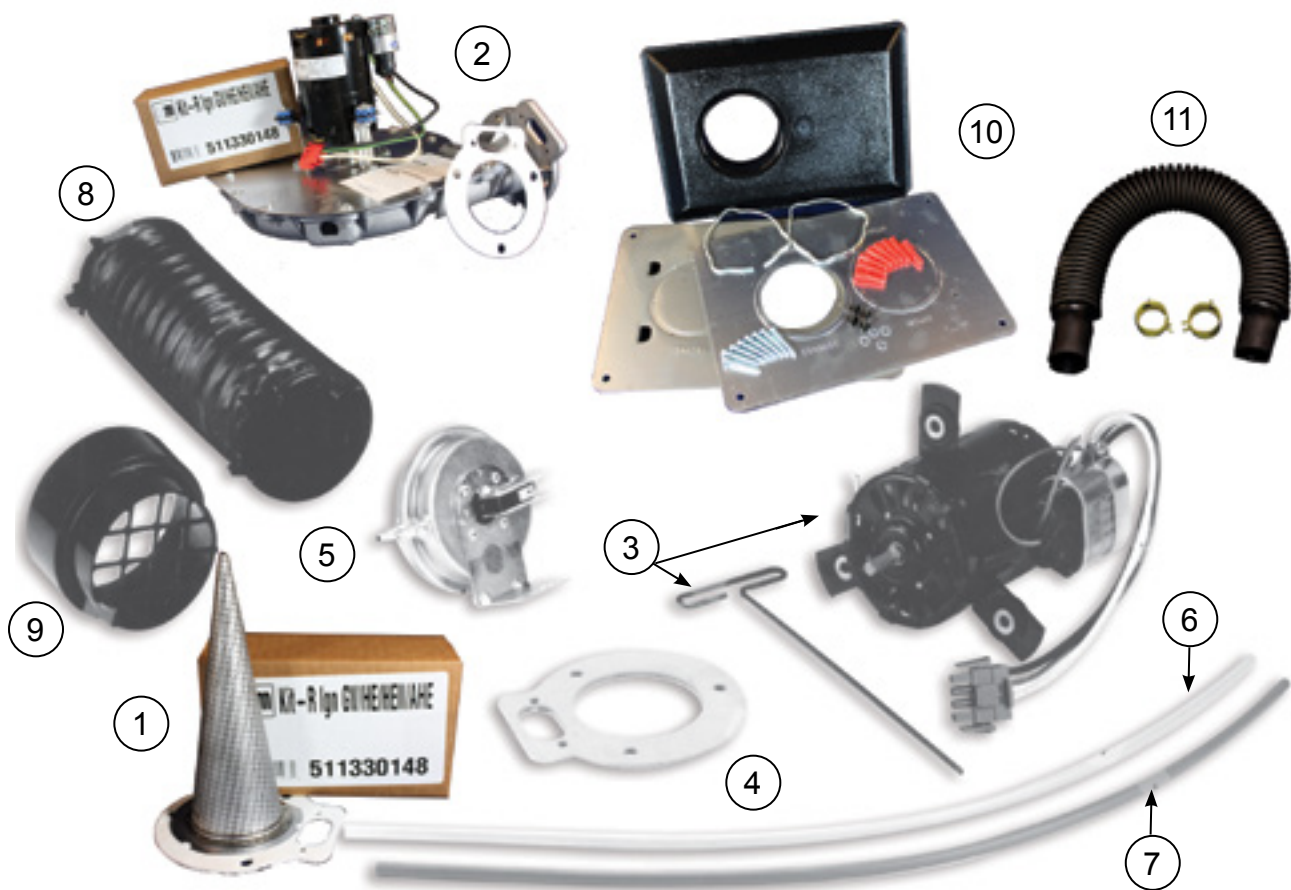
## GV - Series 1 & 2 Section Assembly Parts

| Fig. No. | Part No.    | Description  | Series No. | Model |
|----------|-------------|--|------------|-------|
| N/S      | 322-200-240 | Section Assembly (Repair Kit Required) See Note 1  | 1,2        | GV-3  |
|          | 322-200-245 |  | 1,2        | GV-4  |
|          | 322-200-250 |  | 1,2        | GV-5  |
|          | 322-200-255 | Section Assembly, GV-6 (Repair Kit Required)   | 1,2        | GV-6  |
|          | 382-200-390 | Repair Kit For Replacing Entire Block (Includes: Water Tubing-Pump to Return, 1" N.P.T. Male Adapters, Blower Flange Gasket, Igniter and Gasket, Screws, Studs, Nuts, Washers)   | 2          | All   |
|          | 382-200-461 | Repair Kit For Replacing Entire Block (Includes: Water Tubing-Pump to Return, 1" N.P.T. Male Adapters, Blower Flange Gasket, Igniter and Gasket, Screws, Studs, Nuts, Washers)   | 1          |       |
| 1        | 312-200-140 | Front Section 3914 (Repair Kit Required)   | 2          |       |
| 2        | 312-200-110 | Intermediate Section 3915 (Repair Kit Required)  | 1,2        |       |
| 3        | 312-200-130 | Back Section 3918 (Repair Kit Required)  | 1,2        |       |
| N/S      | 382-200-300 | Repair Kit, Front Section (Includes: Square Cut Seals, Silicone Sealant, Tie Rod Washers, Water Tubing-Pump to Return, 1" N.P.T. Male Adapters, Blower Flange Gasket, Igniter, Igniter Gasket, Screws, Studs, Washers, Nuts) | 1,2        |       |
|          | 382-200-305 | Repair Kit, Intermediate/ Back Sections (Includes: Square Cut Seals, Silicone Sealant, Tie Rod Nuts, Tie Rod Washers) 1 Kit Per Joint  | 1,2        |       |
| 4        | 560-234-499 | 7/16" Tie Rod Without Nut (2 Per Boiler): (10-1/2")  | 1,2        | GV-3  |
|          | 560-234-525 | 7/16" Tie Rod Without Nut (2 Per Boiler): (14")  | 1,2        | GV-4  |
|          | 560-234-503 | 7/16" Tie Rod Without Nut (2 Per Boiler): (18")  | 1,2        | GV-5  |
|          | 560-234-504 | 7/16" Tie Rod Without Nut (2 Per Boiler): (21")  | 1,2        | GV-6  |
|          | 561-928-235 | Regular Hex Nut 7/16" (2 Per Tie Rod)  | 2          |       |
|          | 562-248-684 | Washer, Medium Plain Split Lock 7/16 (1 Per Tie Rod)   | 1,2        |       |
| 5        | 452-100-080 | Base Rail Brace  | 1,2        |       |
| 6        | 452-100-111 | Blower Housing Support   | 1,2        |       |
| N/S      | 592-002-029 | Touch Up Paint - Gold - Low E 4.5oz Can  |            | All   |

**Note 1:**

**Series 1 block assembly for GV boilers no longer available. Series 2 block can be used on Series 1 boiler. Only difference is bypass tapping on top of front section is 3/4" on series 2 block and 1/2" on series 1 block. Use 3/4" x 1/2" bushing and/or see Tech Bulletin SB0401R1 at our web site, [www.weil-mclain.com](http://www.weil-mclain.com).**

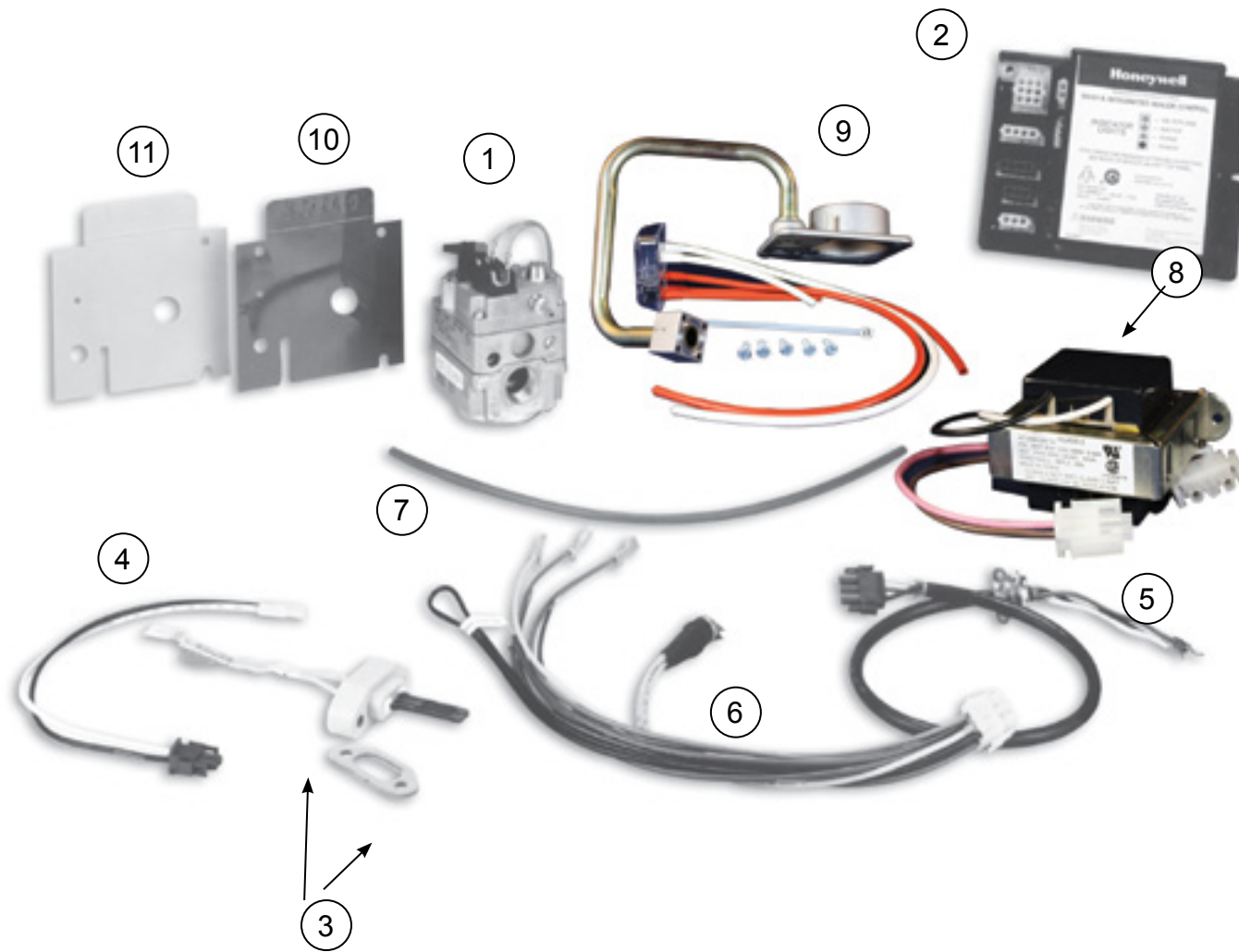
# GV - Series 1 & 2 Blower Assembly



## GV - Series 1 & 2 Blower Assembly Parts

| Fig. No. | Part No.    | Description   | Model |
|----------|-------------|---|-------|
| 1        | 382-200-320 | Burner Replacement Kit (Includes: Burner Cone And Ring Assembly, Blower Flange Gasket, Igniter, Igniter Gasket, Igniter Screws and Washers)   | GV-3  |
|          | 382-200-325 |   | GV-4  |
|          | 382-200-330 |   | GV-5  |
|          | 382-200-335 |   | GV-6  |
| 2        | 382-200-340 | Blower Assembly Replacement Kit (Includes: Blower Housing Assembly, Blower Motor With Mounting Brackets, Magnetic Washer, Blower Flange Gasket, Igniter, Igniter Gasket, Screws and Washers)  |       |
| 3        | 382-200-345 | Blower Motor Replacement Kit (Includes: Blower Motor, Motor Mount Grommets, Screws, Lock Nuts, 9" Tee Handle Allen Wrench)  |       |
| 4        | 590-317-610 | Blower Flange Gasket  |       |
| N/S      | 590-317-599 | Igniter Gasket  |       |
| 5        | 511-624-520 | Pressure Switch (0 to 5,500 ft. Elevation) 1.4" W.C.  |       |
|          | 382-200-317 | Pressure Switch Kit (5,500 ft. to 10,000 ft. Elevation) 1.25" W.C.  |       |
| 6, 7     | 382-200-409 | Sense Line Condensate Kit (Includes: 2 White Pressure Switch Tubes, 3 Red Pressure Switch Tubes and Plastic Condensate Trap)  |       |
| 8        | 382-200-315 | Inlet Air Hose Replacement Kit (Includes: 13" Black Flexible Intake Hose with Clamps)   |       |
| 9        | 382-200-310 | Inlet Air Fitting, Plastic, with Grill  |       |
| N/S      | 382-200-350 | Vent Ell Replacement Kit, Stainless Steel (Includes: Vent Ell With Drain Barb, Sealant, Hose Clamp Screws and Instructions)   |       |
| 10       | 382-200-430 | Intake/Exhaust Termination Kit (Includes: Black Plastic Intake/Exhaust Cap, Mounting And Backing Plate, Hardware, and Instructions)   |       |
| N/S      | 699-999-021 | Vent Starter/Termination Retrofit Kit (Includes: Stainless Vent Ell With Drain Barb, Standard Straight 3" Stainless Starter, Stainless Termination Coupling, High Temp Silicone, Black Plastic Intake/Exhaust Plate, Stainless Wall Mount Plate, Hardware and Instructions) |       |
| 11       | 382-200-385 | Hose Trap Replacement Kit (Includes: 9.5" Flexible Drain Hose and 2 Clamps)   |       |
| N/S      | 382-200-406 | Condensate Drain Line Check Valve Kit   | All   |
|          | 592-900-036 | Anderol 465 1.7oz. Tube   | All   |
|          | 381-400-010 | GV Bug Box - Instructions Included  | All   |

# GV - Series 1 & 2 Gas / Ignition Controls



## GV - Series 1 & 2 Gas / Ignition Control Parts

| Fig. No. | Part No.    | Description   | Model |
|----------|-------------|---|-------|
| 1        | 382-200-410 | Gas Valve Replacement Kit (Includes: Negative Regulation Gas Valve, Left Hand Thread Adapter for Outlet, Hand Valve, Mounting Bracket, 12 VDC, Wiring Harness With 24 Vac to 19-21 VDC Rectifier) |       |
| 2        | 382-200-448 | Gold Control Module Conversion Kit (Includes: Module, Circulator Harness, Temperature Sensor Jumper)  |       |
| 3        | 511-330-148 | Igniter Replacement Kit (Includes: Norton 271Y Igniter, Gasket and Screws)  |       |
| N/S      | 590-317-599 | Igniter Gasket  |       |
| 4        | 591-391-819 | Wiring Harness – Control Module to Igniter  |       |
| 5        | 591-391-821 | Wiring Harness – Control Module to Junction Box   |       |
| 6        | 591-391-820 | Wiring Harness 9 Pin Connector, Control Module to T-Stat, Limit Switch, Pressure Switch, 24VAC Gas Valve, and Block Limit Switch. Used with White-Rodgers or Robertshaw Gas Valve                 |       |
| N/S      | 591-391-919 | Wiring Harness 9 Pin Connector, Control Module to T-Stat, Limit Switch, Pressure Switch, 19-21 VDC Gas Valve and Block Limit Switch. Used only with Honeywell VK8115V-1176 Gas Valve              |       |
|          | 591-391-902 | Circulator Harness With Temperature Sensor Jumper - Included With 382-200-448 Conversion Kit  | All   |
| 7        | 382-200-409 | Pressure Switch Tubing – Replaced by Sense Line Condensate Kit (Includes: 2 White Pressure Switch Tubes, 3 Red Pressure Switch Tubes and Plastic Condensate Trap)                                 |       |
| 8        | 511-842-370 | 24 volt Step Down Transformer, 40 VA  |       |
| 9        | 382-200-355 | Gas/Air Manifold Assembly (Includes: Manifold, Die Casting, Hose Barbs, Left Hand Threaded Fitting for Gas Valve)   |       |
| 10       | 510-811-600 | Natural to Propane Conversion Kit (Includes: Propane Orifice Plate, label)  | GV-3  |
|          | 510-811-605 |   | GV-4  |
|          | 510-811-610 |   | GV-5  |
|          | 510-811-615 |   | GV-6  |
| 11       | 510-811-620 | Propane to Natural Conversion Kit (Includes: Natural Orifice Plate, label)  | GV-3  |
|          | 510-811-625 |   | GV-4  |
|          | 510-811-630 |   | GV-5  |
|          | 510-811-635 |   | GV-6  |

### GV - Series 1 & 2 Water Trim

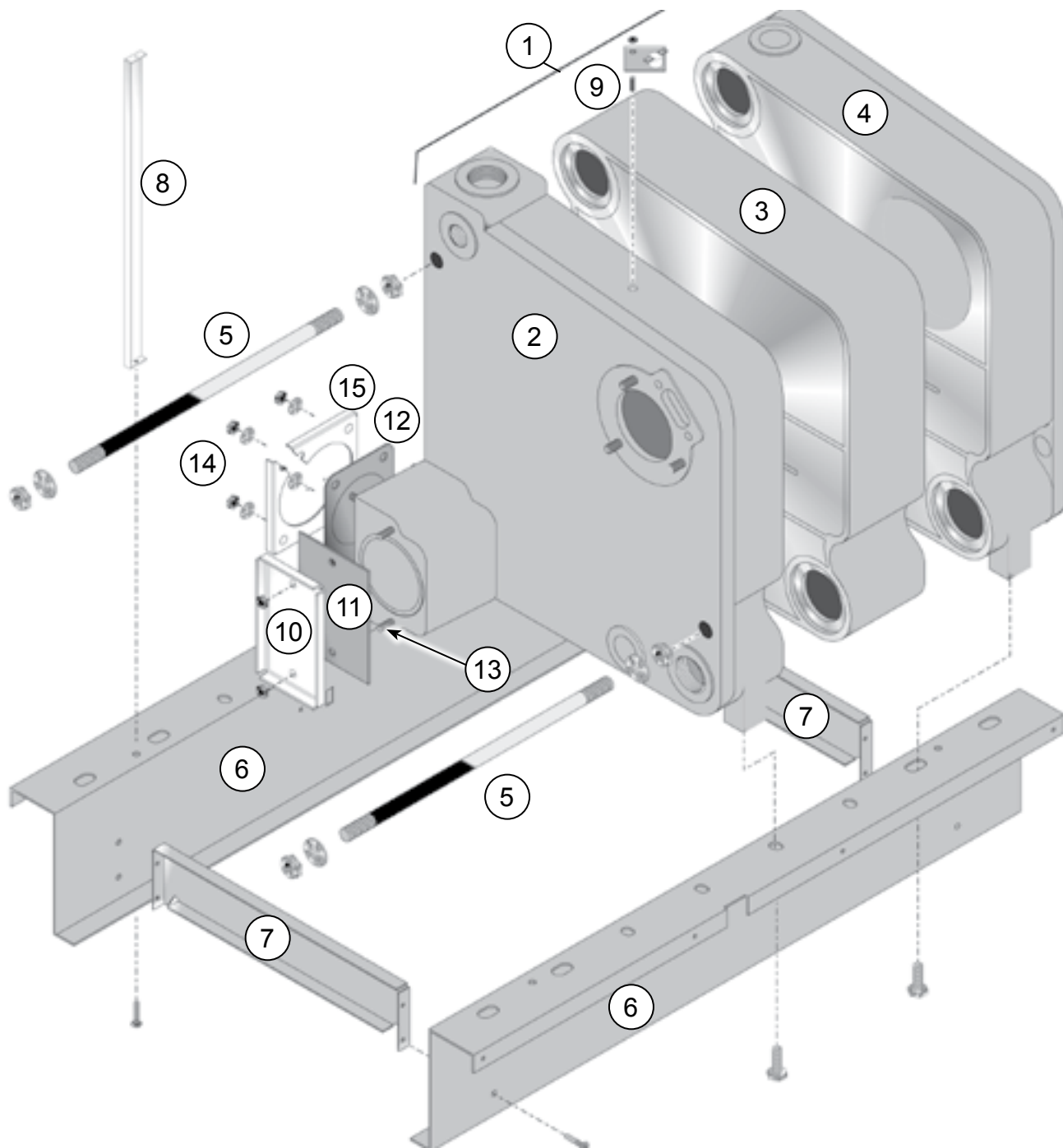




## GV - Series 1 & 2 Water Trim

| Fig. No. | Part No.    | Description  |
|----------|-------------|--|
| 1        | 510-312-021 | High Limit Temperature Control, SPST, Automatic Recycle, 140-220°F, Range 30°F Fixed Differential, ½" N.P.T. Brass Control Well, No Remote Capillary, Mounts Directly On Well. |
| 2        | 383-500-095 | ASME Pressure Relief Valve, 30 PSIG, ¾" N.P.T. Male Inlet, Brass, Side ¾" N.P.T. Female Outlet   |
| 3        | 510-218-099 | Combination Pressure-Temperature Gauge, 2½" Dial, 0-60 PSIG, 70-250°F, Short Shank, Back Connection, ¼" N.P.T.   |
| 4        | 511-210-423 | Drain Valve, ¾" N.P.T., 1½" Shank, Brass   |
| 5        | 511-405-113 | Circulator, 1/25 HP, 120/60/1 Motor, 1,750 RPM, .75 Amps   |
| 6        | 590-317-535 | Circulator Gasket, Diamond Universal (Two Required Per Circulator)   |
| 7        | 381-354-525 | Circulator Hardware Kit (Includes: 1 Flange, 2 Bolts, 2 Nuts, 1 Gasket, 1" N.P.T, Fits Taco Circulators)   |
| 8        | 591-391-818 | Wiring Harness, Control Module to Circulator   |
| 9        | Obsolete    | Mixing Valve Series 2 (See Weil-McLain Technical Service Bulletin SB0401R1)  |
| 10       | Obsolete    | Mixing Valve Repair Kit (See Weil-McLain Technical Service Bulletin SB0401R1)  |
| 11       | 382-200-375 | Block Temperature Switch Kit (Includes: Block Switch (350° Open, 250° Close and Mounting Bracket )   |
| 12       | 510-148-567 | Automatic Air Vent, Float Type, ⅛" N.P.T.  |
| N/S      | 561-013-849 | Reducing Coupling, ½" x ⅛" N.P.T. For Taco Air Vent  |
| 13       | 510-632-088 | Fill-Trol Diaphragm Expansion Tank, (Tank Only) with O-ring and Special Thread Connection To Fill Valve For GV 3 To 5  |
|          | 510-632-089 | Fill-Trol Diaphragm Expansion Tank, (Tank Only) with O-ring and Special Thread Connection To Fill Valve For GV-6   |
| N/S      | 511-210-434 | Fill Valve Angle Style-90 with Built-in Strainer, Pressure Reducer, Check Valve Requires User Provided Shut-Off Valve  |
|          | 382-200-420 | Fill-Trol Package Tank Kit with Fittings – For GV-3 To 5   |
|          | 382-200-425 | Fill-Trol Package Tank Kit with Fittings – For GV-6  |
|          | 560-742-938 | Copper Return Bend, 1", Requires 2 – 1" N.P.T. X 1" Sweat Adapters Which May Be Obtained Locally   |

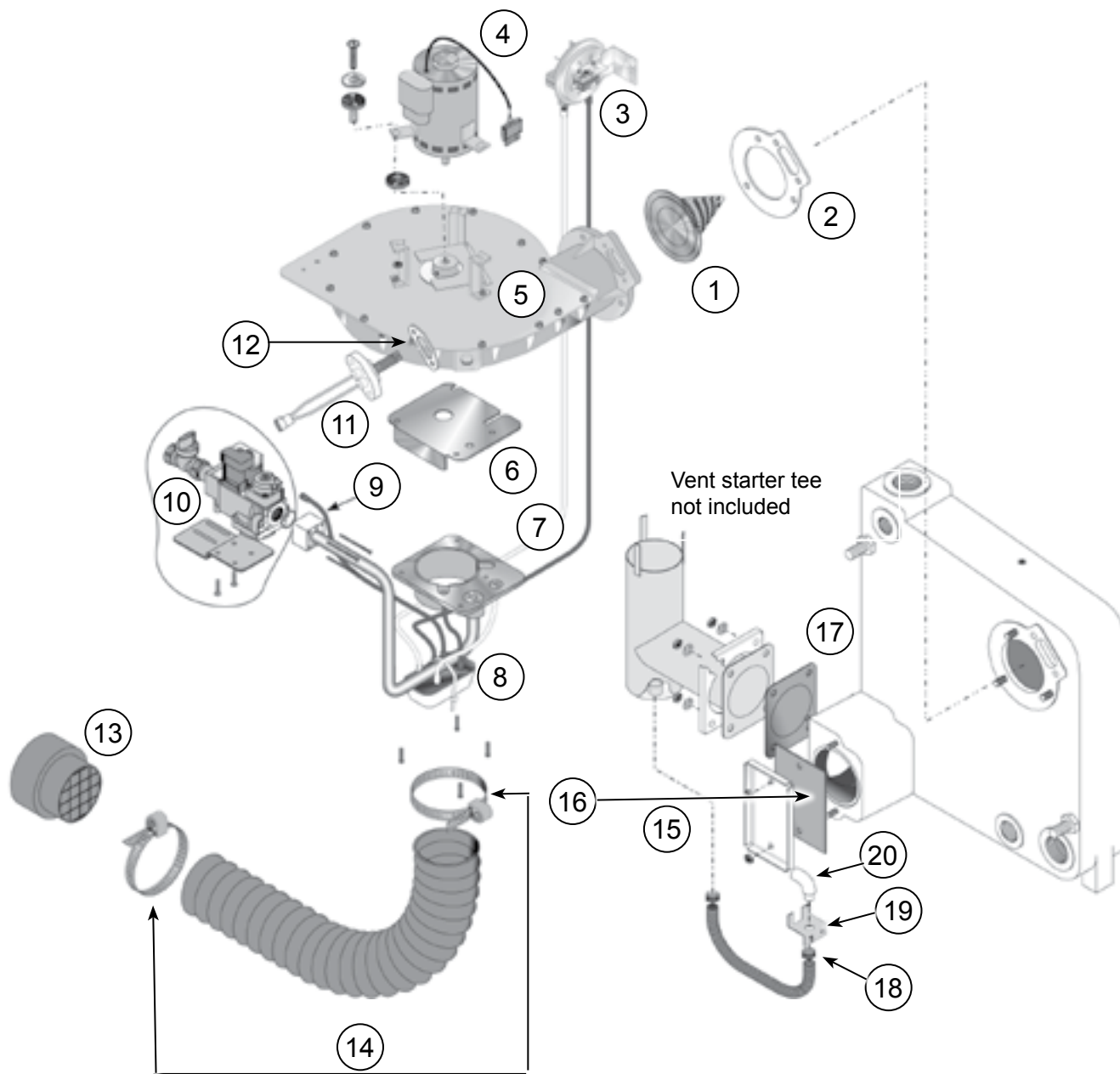
GV - Series 3 & 4  
Section Assembly



## GV - Series 3 & 4 Section Assembly Parts

| Fig. No. | Part No.       | Description   | Model    |
|----------|----------------|---|----------|
| 1        | 322-200-280    | Section Assembly (Repair Kit Required)  | GV-3     |
|          | 322-200-281    |   | GV-4     |
|          | 322-200-282    |   | GV-5     |
|          | 322-200-283    |   | GV-6     |
| N/S      | 382-200-391    | Repair Kit, Section Assemblies (Includes: Water Tubing, Pump to Return, Male Adapter 1" N.P.T., Blower Flange Gasket, Ignitor, Ignitor Gasket, Screws, Studs, Nuts, Washers)  |          |
| 2        | 312-200-150    | Front Section 3913 (Repair Kit Required)  | All      |
| N/S      | 382-200-301    | Repair Kit, Front Section (Includes: Square Cut Seals, Silicone Sealant, Tie Rod Washers, Water Tubing, Pump Tt Return, Male Adapters 1" N.P.T., Blower Flange Gasket, Ignitor, Ignitor Gasket, Screws, Studs, Washers, Nuts) |          |
| 3        | 312-200-110    | Intermediate Section 3915 (Repair Kit Required)   | All      |
| 4        | 312-200-130    | Back Section 3918 (Repair Kit Required)   | All      |
| N/S      | 382-200-305    | Repair Kit, Intermediate/Back Sections (Includes: Square Cut Seals, Silicone Sealant, Tie Rod Nuts, Tie Rod Washers – (1) Kit Per Joint)  |          |
|          | 592-800-011    | Square Cut Seals For Sections, 2" - 2 Required Per Joint  | All      |
| 5        | 560-234-499    | 7/16" Tie Rod Without Nut (2 Per Boiler) (10 ½")  | GV-3     |
|          | 560-234-525    | 7/16" Tie Rod Without Nut (2 Per Boiler) (14")  | GV-4     |
|          | 560-234-503    | 7/16" Tie Rod Without Nut (2 Per Boiler) (18")  | GV-5     |
|          | 560-234-504    | 7/16" Tie Rod Without Nut (2 Per Boiler) (21")  | GV-6     |
| N/S      | 562-248-684    | Washer Medium Plain Split Lock 7/16 (1 Per Tie Rod)   | All      |
| 6        | 452-100-170    | Base Rail Leg   | GV-3 & 4 |
| 7        | 452-100-080    | Base Rail Brace   | All      |
| 8        | 452-100-111    | Blower Housing Support  | All      |
| 9        | 382-200-375    | Block Temperature Switch Kit (Includes: Block Switch (350° Open, 250° Close) and Mounting Bracket)  | All      |
| 10       | 560-907-629    | Inspection Port Cover   | All      |
| 11       | 590-317-628    | Inspection Port Gasket  | All      |
| 12       | 590-317-653    | Starter Tee Gasket  | All      |
| 13       | 560-340-581    | Stud 5/16" – 18 x 1.25  | All      |
| 14       | Obtain Locally | Hex Nuts 4 Each 5/16" With Nylon Lockseal, Washer, Plain, 4 Each 5/16"  | All      |
| 15       | 699-999-029    | Vent Starter Tee Reinforcing Plate Sections (2)   | All      |
| N/S      | 592-002-029    | Touch Up Paint - Gold - Low E 4.5oz Can   | All      |

## GV - Series 3 & 4 Blower Assembly Parts

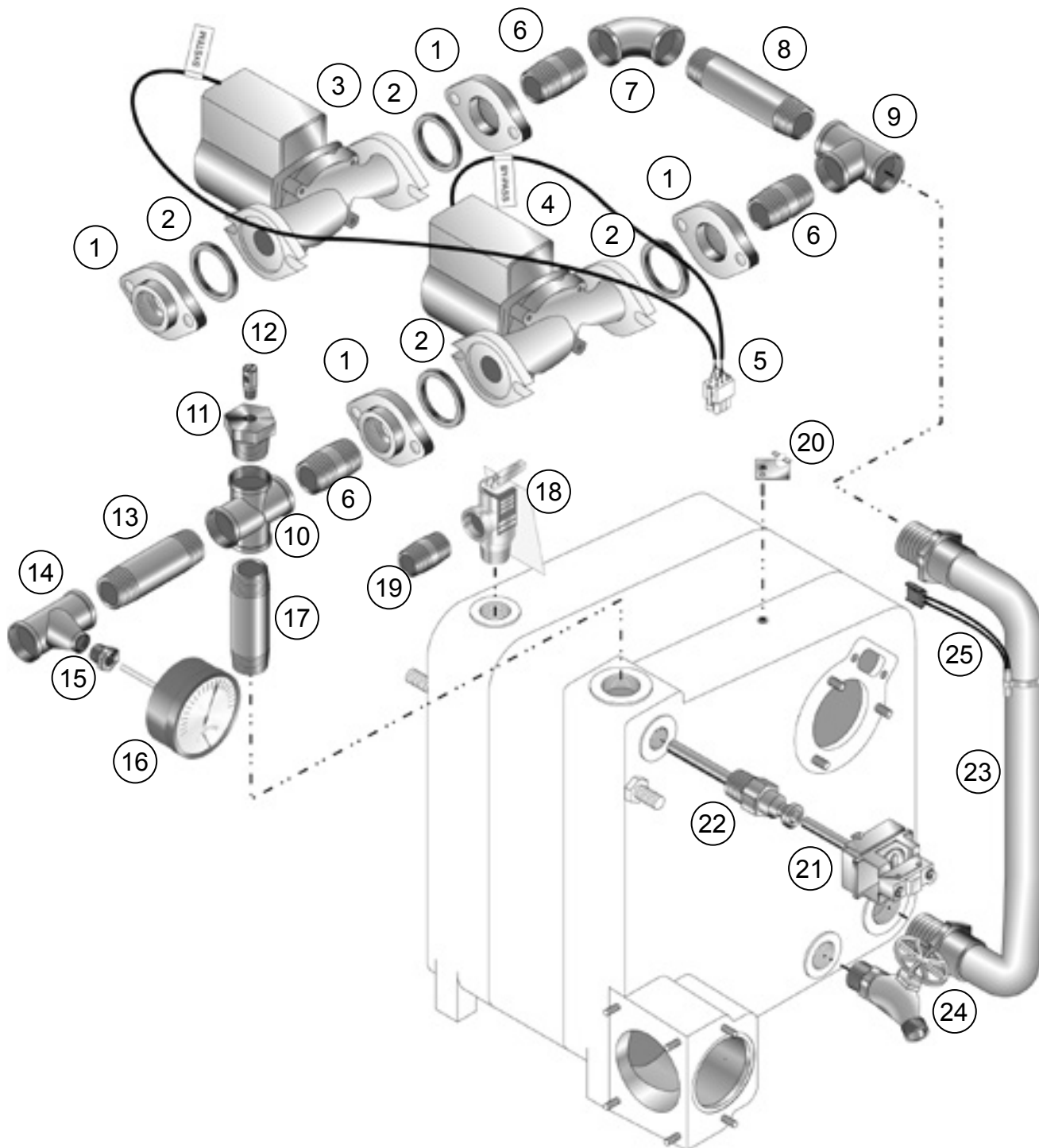


| Fig. No. | Part No.    | Description   | Model |
|----------|-------------|---|-------|
| 1        | 382-200-320 | Burner Replacement Kit (Includes: Burner Cone And Ring Assembly, Blower Flange Gasket, Ignitor Washers, Ignitor Gasket) | GV-3  |
|          | 382-200-325 |   | GV-4  |
|          | 382-200-330 |   | GV-5  |
|          | 382-200-335 |   | GV-6  |
| 2        | 590-317-610 | Blower Flange Gasket  |       |
| 3        | 511-624-520 | Air Pressure Switch (0-5500' Elevation) - 1.4" W. C.  |       |
|          | 382-200-317 | Air Pressure Switch Kit – High Altitude (5500 – 10,000' Elevation) - 1.25" W.C.   |       |

## GV - Series 3 & 4 Blower Assembly Parts Continued

| Fig. No. | Part No.    | Description   | Model |
|----------|-------------|---|-------|
| 4        | 382-200-345 | Blower Motor Replacement Kit (Includes: Blower Motor, Motor Mount, Grommets, Screws, Lock Nuts, Allen Wrench)   |       |
| 5        | 382-200-340 | Blower Housing Assembly Replacement Kit (Includes: Housing, Observation Port Window, Motor Mount Brackets, Lock Nuts, Grommets, Blower Motor (Fasco 716-2941), Blower Wheel, Magnetic Washer, Silicone Sealant, Screws, Blower Flange Gasket, Ignitor, Ignitor Screws, Ignitor Washers, Ignitor Gasket) |       |
| 6        | 510-811-600 | Conversion Kit, Natural to Propane (Includes: Propane Orifice Plate, Label)   | GV-3  |
|          | 510-811-605 |   | GV-4  |
|          | 510-811-610 |   | GV-5  |
|          | 510-811-615 |   | GV-6  |
|          | 510-811-620 | Conversion Kit, Propane to Natural (Includes: Orifice Plate)  | GV-3  |
|          | 510-811-625 |   | GV-4  |
|          | 510-811-630 |   | GV-5  |
|          | 510-811-635 |   | GV-6  |
| 7        | 382-200-362 | Gas/Air Manifold Assembly (Includes: Gas/Air Manifold, Gas Tubing, Washers, Screws and Gas Valve O-ring)-(Series-4)   |       |
|          | 382-200-355 | Gas/Air Manifold Assembly, Left Hand Threaded Fitting For Gas Valve, and Mounting Bracket) with White-Rodgers or Robertshaw ONLY - (Series-3)   |       |
| 8        | 382-200-409 | Sense Line Condensate Kit ( Condensate Trap, Hoses)   |       |
| 9        | 590-317-647 | Gas Valve Tubing To Gas/Air Manifold  |       |
| 10       | 382-200-411 | Gas Valve Replacement Kit (Includes: Gas Valve, Gas Cock, ½" Nipple, Mounting Bracket & Gas Valve O-ring)- (Series-4)   |       |
|          | 382-200-410 | Gas Valve Replacement Kit, Left Hand Thread Adapter, Mounting Bracket, Rectifier) White-Rodgers or Robertshaw ONLY - (Series-3)   |       |
| 11       | 511-330-148 | Ignitor Replacement Kit (Includes: Ignitor, Gasket)   |       |
| 12       | 590-317-599 | Ignitor Gasket  |       |
| 13       | 382-200-310 | Inlet Air Fitting   |       |
| 14       | 382-200-315 | Kit, Inlet Air Hose and Two Clamps  |       |
| 15       | 560-907-629 | Inspection Port Cover   |       |
| 16       | 590-317-628 | Inspection Port Gasket  |       |
| 17       | 590-317-629 | Starter Tee Gasket  |       |
| 18       | 382-200-385 | Hose Trap Replacement Kit (Includes: Hose and 2 Clamps)   |       |
| 19       | 452-100-112 | Drain Bracket   |       |
| 20       | 560-907-650 | Drain Ell   |       |
| N/S      | 382-200-430 | Vent/Air Intake Terminal Kit S.S. (Includes: Intake/Exhaust Cap, Mounting and Backing Plate, Exhaust Tube Spacer, Anchors, Screws and Washers)  |       |
|          | 382-200-406 | Condensate Check Valve  |       |
|          | 592-900-036 | Anderol 465 - 1.7 oz.Tube   |       |

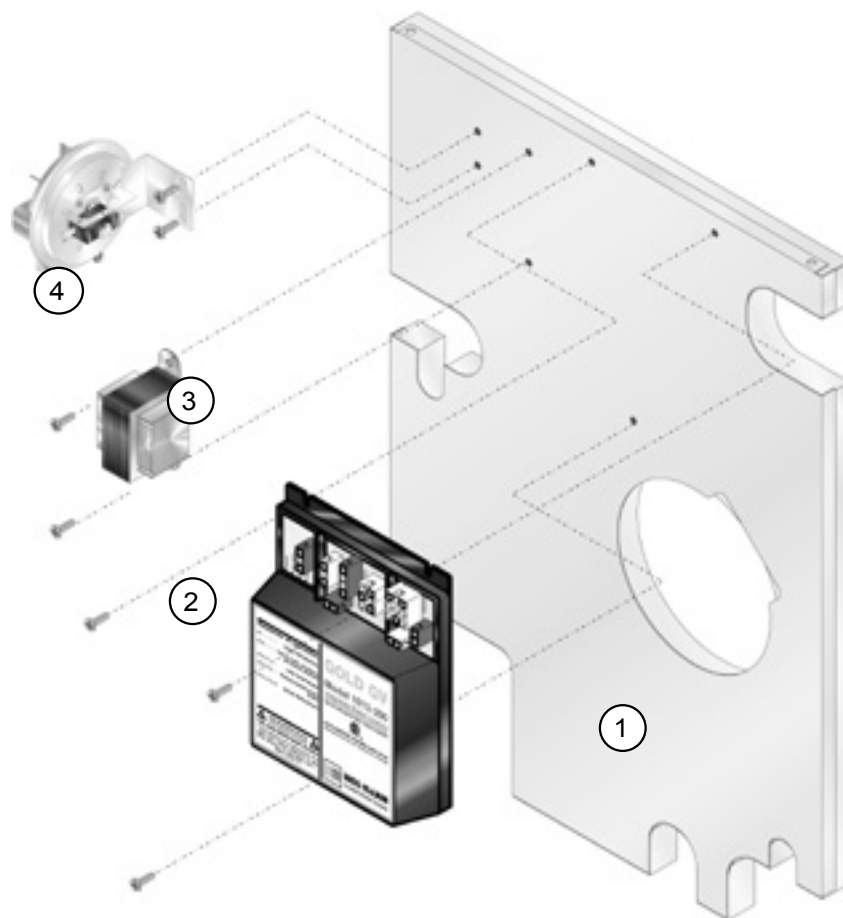
### GV - Series 3 & 4 Water Trim



## GV - Series 3 & 4 Water Trim Parts

| Fig. No. | Part No.          | Description   |
|----------|-------------------|---|
| 1        | 381-354-525       | 1" Universal Hardware Kit (Includes: Flange, Gasket, Screw, Nuts)   |
| 2        | 590-317-535       | Universal Circulator Gasket   |
| 3, 4     | 511-405-113       | System And Bypass Circulator (1/25 HP, 120/60/1 Motor, 1,750 RPM)   |
| 5        | 591-391-824       | Wiring Harness, Dual Circulators To Control Module  |
| 6        | Available Locally | Nipple, Black, 1" x Close   |
| 7        |                   | Elbow, Black, 1"  |
| 8        |                   | Nipple, Black, 1" x 4 1/2"  |
| 9        |                   | Tee, Black, 1"  |
| 10       |                   | Cross, Black  |
| 11       |                   | Bushing, Black, 1" x 1/8"   |
| 12       |                   | 510-148-565   |
| 13       | Available Locally | Nipple, Black, 1" x 3"  |
| 14       |                   | Reducing Tee, Black, 1" x 1" x 1/2"   |
| 15       |                   | Bushing, Black, 1/2" x 3"   |
| 16       | 380-000-000       | Combination Pressure-Temperature Gauge Kit, 60° - 360° F 0-75 PSI, 3/8" Dia, 1/4" N.P.T., Short Shank, With 1/4" x 1/2" Reducing Bushing (Series-4) |
|          | 510-218-099       | Combination Pressure-Temperature Gauge, 2 1/2" Dial, 0-60 PSIG, 70-250°F, Short Shank, 1/4" N.P.T. (Series-3)                                       |
| 17       | Available Locally | Nipple, Black, 1" x 4"  |
| 18       | 383-500-095       | Pressure Relief Valve, 3/4" Male Inlet, 30 PSIG   |
| 19       | Available Locally | Nipple, Black, 1/4" x 3"  |
| 20       | 382-200-375       | Block Temperature Switch Kit (Includes: Block Switch (350° Open, 250° Close) and Mounting Bracket)  |
| 21, 22   | 510-312-021       | High Limit Temperature Control, SPST, Automatic Recycle, 160-220°F 30°F Fixed Subtractive Differential, 1/2" N.P.T. Brass Control Well              |
| 23       | 560-742-938       | Copper Return Bend, 1", Requires 2-1" N.P.T. x 1" Sweat Adapters Which Can Be Obtained Locally  |
| 24       | 511-246-392       | Drain Valve, 1/4" x 1 1/2" Shank  |
| 25       | 511-330-089       | Water Temperature Sensor and Clamp with 12" Leads   |
| N/S      | 510-632-088       | Fill-Trol Diaphragm Expansion Tank, (Tank only) With "O" Ring and Machine Thread Connection To Fill Valve   |
|          | 510-632-089       |   |
|          | 511-210-434       | Fill Valve Angle Style-90 With Built-in Strainer, Pressure Reducer, Check Valve Requires User Provided Shut-Off Valve                               |
|          | 382-200-420       | Fill-Trol Package Tank Kit With Fittings  |
|          | 382-200-425       |   |

## GV - Series 3 & 4 Control Parts

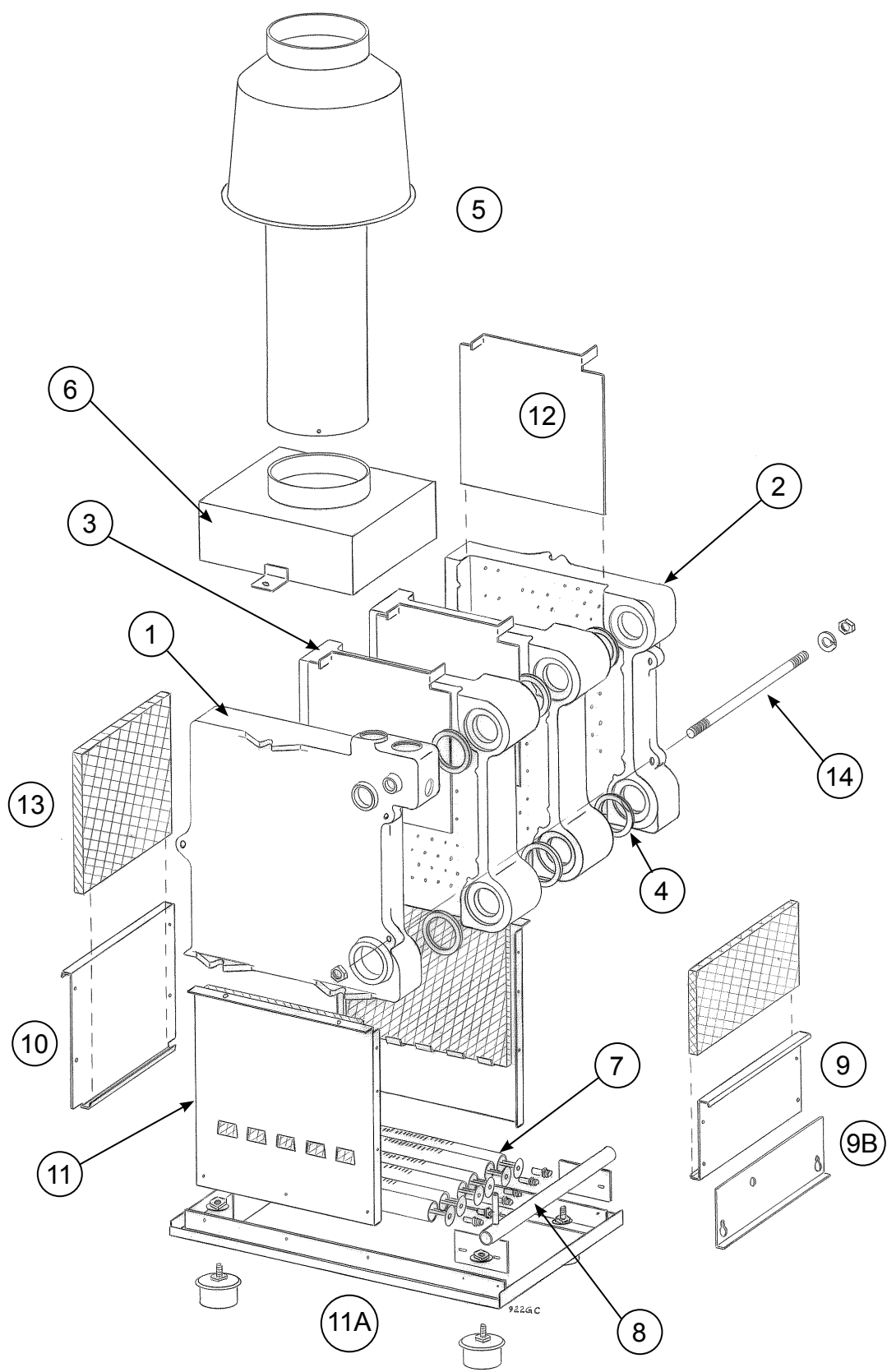


| Fig. No. | Part No.    | Description  |
|----------|-------------|--|
| 1        | 422-200-137 | Interior Control Panel Less Controls   |
| 2        | 382-200-448 | Gold Module Conversion Kit (Includes: UT module 1013-200)  |
| 3        | 511-842-370 | 24 volt Step Down Transformer, 40 VA   |
| 4        | 511-624-520 | Air Pressure Switch (0-5500' Elevation)  |
|          | 382-200-317 | Air Pressure Switch (5,500 - 10,000 Elevation) High Altitude   |
|          | 511-624-521 |  |
| N/S      | 591-391-891 | Wiring Harness, Control Module to Junction Box   |
|          | 591-391-819 | Wiring Harness, Control Module to Hot Surface Ignitor  |
|          | 591-391-824 | Wiring Harness, Control Module to System And By-Pass Circulators   |
|          | 591-391-919 | Wiring Harness 9 Pin Connector - Control Module To T-Stat, 19-21 VDC Gas Valve, Limit, Pressure, and Block Limit Switches. Used With Honeywell VK8115V-1176 Gas Valve Only, For Series 4 |
|          | 591-391-820 | Wiring Harness 9 Pin Connector - Control Module To T-Stat, 24 Volt Gas Valve, Limit, Pressure, and Block Limit Switches. Used With White Rodgers or Robertshaw Gas Valves Only, Series 3 |



# NOTES

# CG/CGM - Series 1 Through 12 Section / Base Assembly



## CG/CGM - Series 1 Through 12 Section / Base Assembly Parts

| Fig. No. | Part No.    | Description   | Series No. |
|----------|-------------|---|------------|
| 1        | 311-103-851 | Left Hand End Section 51124   | 9-12       |
| 2        | 311-103-821 | Right Hand End Section 51128  | 9-12       |
| 3        | 311-103-818 | Intermediate Section 51125  | 9-12       |
| N/S      | 321-114-286 | Section Assembly: CGM, P-CG(m) 25,3   | 9-12       |
|          | 321-114-287 | Section Assembly: CGM, P-CG(m) 4  | 9-12       |
|          | 321-114-288 | Section Assembly: CGM, P-CG(m) 5  | 9-12       |
|          | 321-114-289 | Section Assembly: CGM, P-CG(m) 6  | 9-12       |
|          | 321-114-290 | Section Assembly: CGM, P-CG(m) 7  | 9-12       |
|          | 321-114-291 | Section Assembly: CGM, P-CG(m) 8  | 9-12       |
|          | 381-354-527 | Section Replacement Kit (One Per Joint)   | 9-12       |
| 4        | 592-800-011 | Square Cut Seal 2"  | 8-12       |
| N/S      | 591-602-913 | Retort Cement – 1 Quart   | All        |
|          | 591-608-915 | Retort Cement - Tube - 11oz   | All        |
|          | 591-638-850 | Silicone Sealant – RTV 700, 10.3 oz. Tube   | 8-12       |
|          | 591-706-214 | Flue-Way Brush  | All        |
|          | 381-354-523 | Well For Limit Control  | 9-12       |
| 5        | 450-021-240 | Vertical Draft Hood CG(m)-25  | 9-12       |
|          | 450-021-241 | Vertical Draft Hood CG(m)-3   | 9-12       |
|          | 450-021-242 | Vertical Draft Hood CG(m)-4   | 9-12       |
|          | 450-021-243 | Vertical Draft Hood CG(m)-5   | 9-12       |
|          | 450-021-244 | Vertical Draft Hood CG(m)-6   | 9-12       |
|          | 450-021-245 | Vertical Draft Hood CG(m)-7   | 9-12       |
|          | 450-021-246 | Vertical Draft Hood CG(m)-8   | 9-12       |
| 6        | 381-354-625 | Collector Hood Replacement Kit, CG 25   | 11-12      |
|          | 381-354-626 | Collector Hood Replacement Kit, CG 3  | 9-12       |
|          | 381-354-627 | Collector Hood Replacement Kit, CG 4  | 9-12       |
|          | 381-354-628 | Collector Hood Replacement Kit, CG 5  | 9-12       |
|          | 381-354-629 | Collector Hood Replacement Kit, CG 6  | 9-12       |
|          | 381-354-630 | Collector Hood Replacement Kit, CG 7  | 9-12       |
|          | 381-354-631 | Collector Hood Replacement Kit, CG 8  | 9-12       |
| N/S      | 560-528-989 | Natural Gas Orifice 46 Drill 7/16" Hex, 1/8" N.P.T.   | 5-8        |
|          | 560-528-990 | LP Gas Orifice 56 Drill 7/16" Hex, 1/8" N.P.T.  | 5-8        |
|          | 560-528-997 | Natural Gas Orifice 2.0mm Drill, 7/16" Hex, 1/8" N.P.T.                                     | 9-12       |
|          | 560-528-998 | LP Gas Orifice 1.3mm Drill, 7/16" Hex, 1/8" N.P.T.  | 9-12       |
| 7        | 512-200-078 | Stainless Steel Burner With Pilot Bracket, See Note 1                                       | 5-8        |
|          | 512-200-077 | Stainless Steel Regular Burner, See Note 1  | 5-12       |
|          | 512-200-078 | Steel Pilot Burner With Pilot Bracket, L/P-Standing Pilot, and PI Versions Only, See Note 1 | 9-12       |
|          | 512-200-079 | Steel Regular Burner With Pilot Bracket, SPN Version Only, See Note 1                       | 9-12       |

**CG/CGM - Series 1 Through 12**  
**Section / Base Assembly Parts Continued**

| Fig. No. | Part No.    | Description                              | Series No. |
|----------|-------------|--|------------|
| N/S      | 450-003-742 | Base Burner Rest CG(m)-25                | 8-12       |
|          | 450-003-736 | Base Burner Rest CG(m)-3                 | 8-12       |
|          | 450-003-737 | Base Burner Rest CG(m)-4                 | 8-12       |
|          | 450-003-738 | Base Burner Rest CG(m)-5                 | 8-12       |
|          | 450-003-739 | Base Burner Rest CG(m)-6                 | 8-12       |
|          | 450-003-740 | Base Burner Rest CG(m)-7                 | 8-12       |
|          | 450-003-741 | Base Burner Rest CG(m)-8                 | 8-12       |
| 8        | 591-126-615 | Manifold CG(m)-25                        | 7-12       |
|          | 591-126-616 | Manifold CG(m)-3                         | 7-12       |
|          | 591-126-617 | Manifold CG(m)-4                         | 7-12       |
|          | 591-126-618 | Manifold CG(m)-5                         | 7-12       |
|          | 591-126-619 | Manifold CG(m)-6                         | 7-12       |
|          | 591-126-556 | Manifold CG(m)-7                         | 7-12       |
|          | 591-126-557 | Manifold CG(m)-9                         | 7-12       |
| 9        | 460-003-777 | Base Front Cross Tie CG(m)-25, 3         | 4-12       |
|          | 460-003-778 | Base Front Cross Tie CG(m)-4             | 4-12       |
|          | 460-003-779 | Base Front Cross Tie CG(m)-5             | 4-12       |
|          | 460-003-780 | Base Front Cross Tie CG(m)-6             | 4-12       |
|          | 460-003-781 | Base Front Cross Tie CG(m)-7             | 4-12       |
|          | 460-003-782 | Base Front Cross Tie CG(m)-8             | 4-12       |
| 9B       | 460-003-741 | Base Access Panel CG(m)-25, 3            | 4-12       |
|          | 460-003-742 | Base Access Panel CG(m)-4                | 4-12       |
|          | 460-003-743 | Base Access Panel CG(m)-5                | 4-12       |
|          | 460-003-744 | Base Access Panel CG(m)-6                | 4-12       |
|          | 460-003-745 | Base Access Panel CG(m)-7                | 4-12       |
|          | 460-003-746 | Base Access Panel CG(m)-8                | 4-12       |
| 10       | 460-003-701 | Base Back Cross Tie CG(m)-25, 3          | 4-12       |
|          | 460-003-702 | Base Back Cross Tie CG(m)-4              | 4-12       |
|          | 460-003-703 | Base Back Cross Tie CG(m)-5              | 4-12       |
|          | 460-003-704 | Base Back Cross Tie CG(m)-6              | 4-12       |
|          | 460-003-705 | Base Back Cross Tie CG(m)-7              | 4-12       |
|          | 460-003-706 | Base Back Cross Tie CG(m)-8              | 4-12       |
| 11       | 460-003-710 | Base Side Panel                          | 4-12       |
| N/S      | 381-354-355 | Base Replacement Carton CG9(m)-25        | 4-12       |
|          | 381-354-356 | Base Replacement Carton CG(m)-3          | 1-12       |
|          | 381-354-357 | Base Replacement Carton CG(m)-4          | 1-12       |
|          | 381-354-358 | Base Replacement Carton CG(m)-5          | 1-12       |
|          | 381-354-359 | Base Replacement Carton CG(m)-6          | 1-12       |
|          | 381-354-360 | Base Replacement Carton CG(m)-7          | 1-12       |
|          | 381-354-361 | Base Replacement Carton CG(m)-8          | 4-12       |
|          | 450-030-971 | Base Pan Angle - Universal Right or Left | 8-12       |

## CG/CGM - Series 1 Through 12 Section / Base Assembly Parts Continued

| Fig. No. | Part No.    | Description   | Series No. |
|----------|-------------|---|------------|
| 11A      | 450-003-730 | Base Pan CG(m)-25, 3                                      | 8-12       |
|          | 450-003-731 | Base Pan CG(m)-4  | 8-12       |
|          | 450-003-732 | Base Pan CG(m)-5  | 8-12       |
|          | 450-003-733 | Base Pan CG(m)-6  | 8-12       |
|          | 450-003-734 | Base Pan CG(m)-7  | 8-12       |
|          | 450-003-735 | Base Pan CG(m)-8  | 8-12       |
| 12       | 460-003-700 | Radiation Plate with Horizontal Bends (1 Per Joint)       | 7-12       |
| 13       | 381-354-518 | Base Replacement Insulation Carton CG(m) 25-5             | 4-12       |
|          | 381-354-519 | Base Replacement Insulation Carton CG(m) 6-9              | 4-12       |
| N/S      | 590-424-252 | Base Leg Assembly 1½" Gray (4 Per Boiler)                 | 8-12       |
| 14       | 560-234-500 | 7/16" X 9" Tie Rod Without Nut (3 Per Boiler) CG(m)-25, 3 | 8-12       |
|          | 560-234-501 | 7/16" X 12" Tie Rod Without Nut (3 Per Boiler) CG(m)-4    | 8-12       |
|          | 560-234-502 | 7/16" X 15" Tie Rod Without Nut (3 Per Boiler) CG(m)-5    | 8-12       |
|          | 560-234-503 | 7/16" X 18" Tie Rod Without Nut (3 Per Boiler) CG(m)-6    | 8-12       |
|          | 560-234-504 | 7/16" X 21" Tie Rod Without Nut (3 Per Boiler) CG(m)-7    | 8-12       |
|          | 560-234-505 | 7/16" X 24" Tie Rod Without Nut (3 Per Boiler) CG(m)-8    | 8-12       |
| N/S      | 562-248-684 | 7/16" Washer Medium Plain Split Lock                      | 8-12       |
|          | 592-002-030 | Touch Up Paint- Blue/Gray -Low E 4.5oz Can                |            |

**Notes:**

**Order sufficient quantities to replace all orifices within a base.**

**Number of burners:**

**CG/CGm-25: 2 main burners and 1 burner with pilot bracket**

**CG/CGm-3: 3 main burners and 1 burner with pilot bracket**

**CG/CGm-4: 5 main burners and 1 burner with pilot bracket**

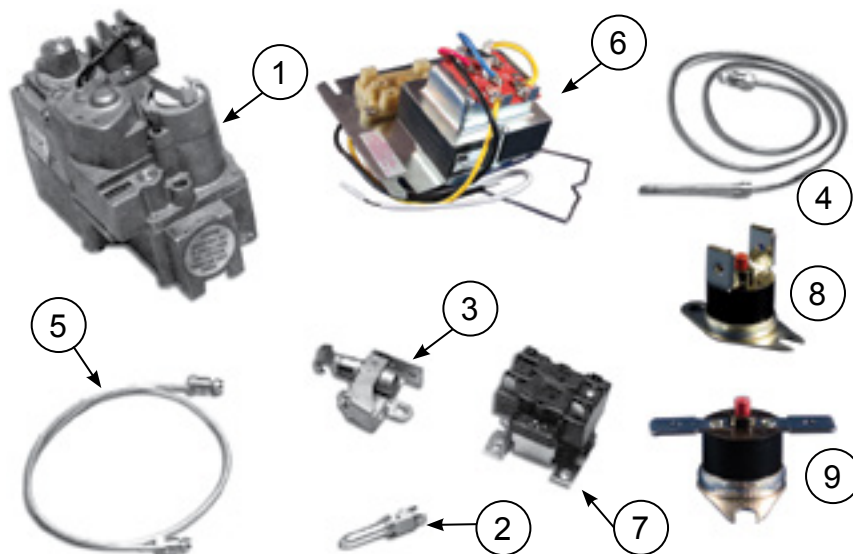
**CG/CGm-5: 7 main burners and 1 burner with pilot bracket**

**CG/CGm-6: 9 main burners and 1 burner with pilot bracket**

**CG/CGm-7: 11 main burners and 1 burner with pilot bracket**

**CG/CGm-8: 13 main burners and 1 burner with pilot bracket**

## CG/CGM - Series 9 & 10 Standing Pilot Parts



| Fig. No.                                      | Part No.    | Description   | Boiler Size |
|---|-------------|---|-------------|
| <b>Components for Natural Gas</b>             |             |   |             |
| 1   | 511-044-360 | Combination Gas Valve, ½" X ½" N.P.T., 24 Volt  | 25 – 6      |
|   | 511-044-256 | Combination Gas Valve (Step Opening (1.2 step) ¾" X ¾" N.P.T., 24 Volt)   | 7 – 8       |
| 2   | 560-528-980 | Natural Gas Pilot Orifice, .018 Dia.  | All         |
| <b>Components for Propane Gas</b>             |             |   |             |
| N/S   | NA          | Combination Gas Control Valve, ½" x ½" N.P.T., 24 Volt, Propane Gas, Need Regulator Below   | 25 – 6      |
|   |             | Propane Regulator For VR800A-1152   | 25 – 6      |
|   | NA          | Combination Gas Control Valve, ¾" x ¾" N.P.T., 24 Volt Propane Gas, Need Regulator Below, CG7 – CG8   | 7 – 8       |
|   |             | Propane Regulator For VR800C-1302   | 7 – 8       |
| 2   | 560-528-985 | Propane Gas Pilot Orifice, .010 Dia.  | All         |
| <b>Components for Natural and Propane Gas</b> |             |   |             |
| 3   | 511-330-197 | Safety Pilot Burner, Constant Burning, Thermally Supervised - Natural Gas Orifice Included - For L/P remove Natural Gas Orifice and Replace With L/P Gas Orifice. | All         |
| 4   | 511-724-253 | Thermocouple, 48" Long  | All         |
| 5   | 560-742-860 | Pilot Tubing, ⅛" O.D. Alum. X 22 ¾" Long With Compression Fittings  | All         |
| 6   | 510-312-166 | Combination Transformer-Relay Receptacle, 120/24 Volt, 40VA   | All         |
|   |             |   | All         |
|   |             |   | All         |
| 7   | 510-350-223 | Plug-In Relay, DPST, 24 Volt Holding Coil   | All         |
|   |             |   | All         |
| 6,7   | 510-312-167 | Combination Transformer and DPST Relay, 120/24 Volt, 40 VA  | All         |

## CG/CGM - Series 9 & 10 Standing Pilot Parts

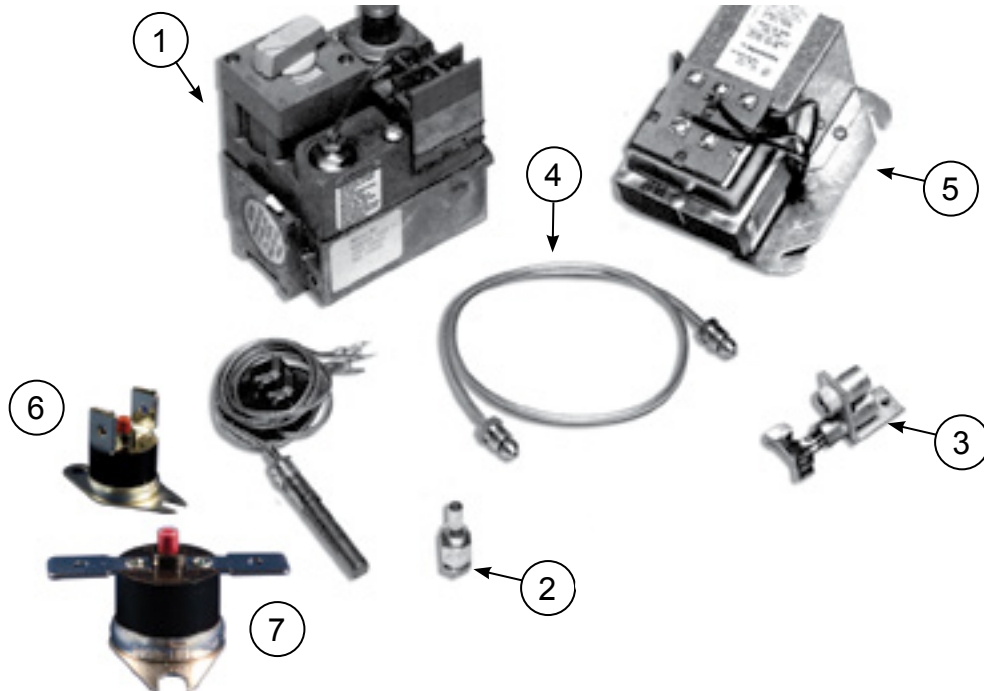
| Fig. No.  | Part No.    | Description   | Boiler Size |
|---|-------------|---|-------------|
| N/S   | 512-050-230 | Rollout Thermal Fuse Element, 228°C                               | All         |
|   |             |   | All         |
| 8   | 510-300-013 | Spill Switch With Reset, 210°C                                    | CG(m) 25    |
| 9   | 510-300-014 | Spill Switch With Reset, 240° C                                   | CG(m) 3-8   |
| <b>Standing Pilot Conversion Kits</b>                     |             |   |             |
| <b>These Kits Will Retrofit CG/CGM - Series 4 Thru 12</b> |             |   |             |
| N/S   | 510-811-363 | Conversion Kit: Natural To Propane CGa 7-8 (Standing Pilot Only)  |             |
|   | 510-811-356 | Conversion Kit: Propane To Natural CGa 25-6 (Standing Pilot Only) |             |
|   | 510-811-357 | Conversion Kit: Propane To Natural CGa 7-8 (Standing Pilot Only)  |             |
|   | 510-811-362 | Conversion Kit: Natural To Propane CGa 25-6 (Standing Pilot Only) |             |

## CG/CGM - Series 7 Through 10 Spark Ignition Parts

| Part No.  | Description  | Boiler Size |
|---|--|-------------|
| <b>Spark Ignition Parts Cannot Be Used With Propane Gas</b> |  |             |
| 510-811-458   | Conversion Kit (Includes: ½" Gas Valve, Pilot Assembly with Sparker and Sensor. United Technology Control Module, Wiring and Instructions) | 25-6        |
| 510-811-459   | Conversion Kit (Includes: ¾" Gas Valve, Pilot Assembly with Sparker and Sensor. United Technology Control Module, Wiring and Instructions) | 7-8         |
| <b>Johnson G60 Pilot Assembly Repair Parts</b>              |  |             |
| 511-330-163   | Pilot Assembly, Natural Gas, Includes Sparker and Sensor and Wires   | All         |
| 511-724-264   | Flame Sensor For Above Pilot Assembly  | All         |
| 511-724-270   | Sensor Wire For Above Pilot Assembly   | All         |
| <b>Common Control Parts for Series 7 - 10</b>               |  |             |
| 510-312-250   | High Limit Temperature Control, Auto Recycle, 140-240° F, 30° Fixed Subtractive Differential, With ½" N.P.T Well                           | All         |
| 510-312-166   | Combination Transformer-Relay Receptacle, 120/24 Volt, 40VA  | All         |
| 510-350-223   | Plug-In Relay, DPST, 24 Volt Holding Coil  | All         |
| 510-312-167   | Combination Transformer and DPST Relay, 120/24 Volt, 40 VA   | All         |
| 512-050-230   | Rollout Thermal Fuse Element, 228° C   | All         |
| 510-300-013   | Spill Switch with Reset, 210° F  | CG(m) 25    |
| 510-300-014   | Spill Switch with Reset, 240° F  | CG(m) 3-8   |



## CG/CGM- Series 10 Millivolt Parts



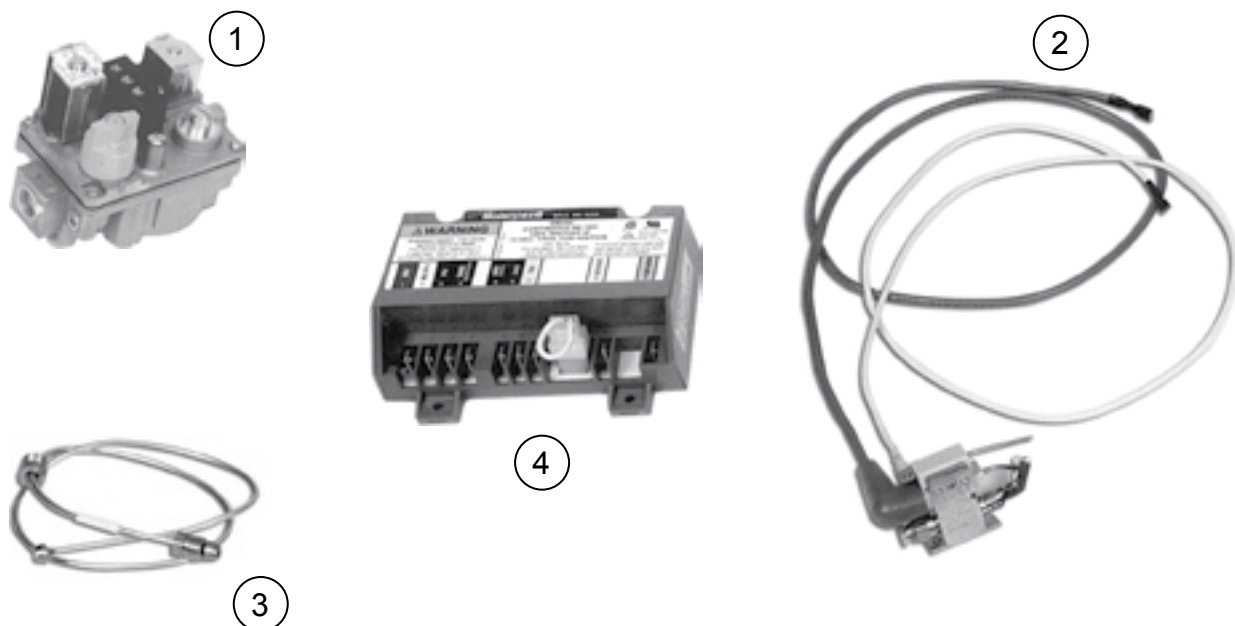
| Fig. No.                                      | Part No.    | Description  | Boiler Size |
|---|-------------|--|-------------|
| <b>Components for Natural Gas</b>             |             |  |             |
| 1   | N/A         | Combination Gas Valve, ½" X ½" N.P.T., Milli-Volt  | 25 – 6      |
| 2   | 560-528-950 | Natural Gas Pilot Orifice, .026 Dia.   | All         |
| <b>Components for Propane Gas</b>             |             |  |             |
| 1   | NA          | Combination Gas Control Valve, ½" x ½" N.P.T., 24 Volt, Propane Gas, Need Regulator Below                            | 25 – 6      |
|   | NA          | Combination Gas Control Valve (¾" x ¾" N.P.T., Milli-Volt, Step Opening With 3.0 Step, Need Propane Regulator Below) | 7 – 8       |
|   | NA          | Propane Regulator  | 7-8l        |
| <b>Components for Natural and Propane Gas</b> |             |  |             |
| 3   | 511-330-186 | Safety Pilot Burner, Constant Burning, Thermally Supervised  | All         |
| 4   | 560-742-860 | Pilot Tubing, ⅛" O.D. Alum. X 22 ¾" Long With Compression Fittings   | All         |
| 5   | 510-312-167 | Combination Transformer and DPST Relay, 120/24 Volt, 40 VA   | All         |
| N/S   | 512-050-230 | Rollout Thermal Fuse Element, 228°C  | All         |
|   |             |  | All         |
| 6   | 510-300-013 | Spill Switch with Reset, 210°C   | 25          |
| 7   | 510-300-014 | Spill Switch with Reset, 240°C   | 3-8         |

## CG/CGM - Series 10 Water Trim Parts



| Fig. No. | Part No.    | Description   |
|----------|-------------|---|
| 1        | 510-312-250 | High Limit Temperature Control, Auto Recycle, 140-240°F Fixed Subtractive Differential With ½" N.P.T. Well            |
| 2        | 383-500-095 | ASME Pressure Relief Valve, Set To Relieve At 30 PSIG, ¾" N.P.T. Male Inlet   |
| 3        | 380-000-000 | Combination Pressure-Temperature Gauge, 3" Dia., 0-75 PSIG, 60-320°F, Short Shank, Back Connection, ¼" N.P.T.         |
| 4        | 511-210-423 | Drain Valve, ¾" N.P.T., 1½" Shank, Brass  |
| 5        | 511-405-113 | Circulator, 1/25 HP, 120/60/1 Motor, 1,750 R.P.M., .75 Amps   |
|          | 511-405-115 | Circulator, 1/12 HP, 120/60/1 Motor, 1,750 R.P.M.   |
| 6        | 590-317-543 | Circulator Gasket for Taco 007, (Two Required Per Circulator)   |
|          | 590-317-542 | Circulator Gasket for B & G 100, (Two Required Per Circulator)  |
| 7        | 381-354-530 | Circulator Hardware Kit (Includes: 1 Flange, 2 Bolts, 2 Nuts, Diamond Gasket, ¾" N.P.T.)                              |
|          | 381-354-525 | Circulator Hardware Kit (Includes: 1 Flange, 2 Bolts, 2 Nuts, Diamond Gasket, 1" N.P.T.)                              |
|          | 381-354-526 | Circulator Hardware Kit (Includes: 1 Flange, 2 Bolts, 2 Nuts, Diamond Gasket, 1¼" N.P.T.)                             |
|          | 381-354-531 | Circulator Hardware Kit (Includes: 1 Flange, 2 Bolts, 2 Nuts, Diamond Gasket, 1½" N.P.T.)                             |
| 8        | 510-632-088 | Fill-Trol Diaphragm Expansion Tank with O-ring and Machine Thread Connector to Fill Valve, Tank Only                  |
|          | 510-632-089 | Fill-Trol Diaphragm Expansion Tank with O-ring and Machine Thread Connector to Fill Valve, Tank Only                  |
| N/S      | 511-210-434 | Fill Valve Angle Style-90 with Built-in Strainer, Pressure Reducer, Check Valve Requires User Provided Shut-Off Valve |

## CG/CGM - Series 11 & 12 Spark Ignition Parts



| Fig. No.  | Part No.    | Description  |
|---|-------------|--|
| <b>Spark Ignition Cannot Be Used With Propane Gas</b>   |             |  |
| 1   | 511-044-381 | Combination Gas Valve, ½" x ½" N.P.T., 24 Volt CG-25 to CG-6   |
|   | 511-044-382 | Combination Gas Valve (Step Opening (1.2" WC Step) ¾" x ¾" N.P.T., 24 Volt, CG-7,8)  |
| 2   | 511-330-218 | Pilot Assembly Kit (includes: Orifice, Aluminum Pilot Gas Tubing, Spark Wire and Sense Wire)   |
| 3   | 560-742-860 | Pilot tubing, ⅛" O.D. x 22 ¾", With Fittings   |
| 4   | 511-330-097 | Ignition Sensing Control Module Without Damper Molex, 24 Volt, Series-12 Only  |
| N/S   | 591-391-863 | Wiring Harness, PIDN, Series-12 Only   |
| 4   | 511-330-095 | Ignition Sensing Control Module With Damper Molex, 24 volt, Series-11 Only   |
| <b>Series 6 Thru 10 Boilers</b>   |             |  |
| White-Rodgers Cycle Pilot Ignition Systems and Johnson Control Ignition Systems are obsolete and replaced by the following conversion kits: |             |  |
| N/S   | 510-811-458 | Spark Pilot Conversion Kit (Includes: UT Control Module, ½" Gas Valve, Pilot Assembly, Wiring and Instructions) Natural Gas Only CG 25-6 |
|   | 510-811-459 | Spark Pilot Conversion Kit (Includes: UT Control Module, ¾" Gas Valve, Pilot Assembly, Wiring and Instructions) Natural Gas Only CG 7-8  |

**Note:** There is no Wiring Harness for series 11 boilers. Boiler had individual wires.

# CG/CGM - Series 11 & 12 Water / Electrical



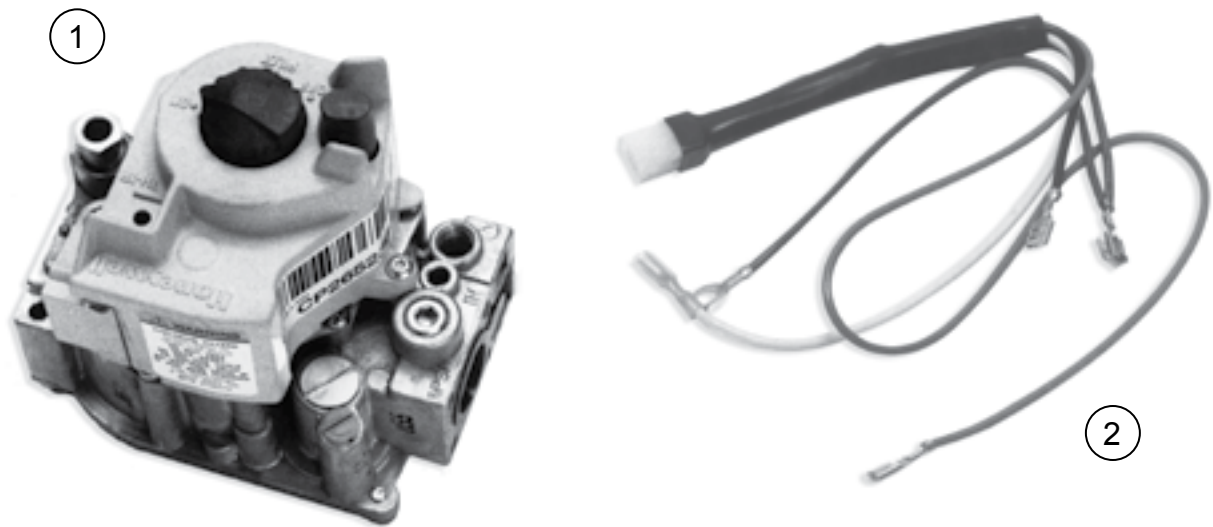
## CG/CGM - Series 11 & 12 Water / Electrical Parts

| Fig. No. | Part No.    | Description   |
|----------|-------------|---|
| 1        | 510-312-250 | High Limit Temperature Control, Auto Recycle, 140-240°F Fixed Subtractive Differential With ½" N.P.T. Well    |
| 2        | 383-500-095 | ASME Pressure Relief Valve, Set To Relieve at 30 PSIG, ¾" N.P.T. Male inlet                                   |
| 3        | 380-000-000 | Combination Pressure-Temperature Gauge, 3" Dia., 0-75 PSIG, 60-320°F, Short Shank, Back Connection, ¼" N.P.T. |
| 4        | 511-210-423 | Drain Valve, ¾" N.P.T., 1½" Shank, Brass  |
| 5        | 511-405-113 | Circulator, 1/25 HP, 120/60/1 Motor, 1,750 R.P.M., .75 Amps   |
|          | 511-405-115 | Circulator, 1/12 HP, 120/60/1 Motor, 1,750 R.P.M.   |
| 6        | 590-317-543 | Circulator Gasket for Taco 007, (Two Required Per Circulator)   |
|          | 590-317-542 | Circulator Gasket for B & G 100, (Two Required Per Circulator)  |
| 6,7      | 381-354-530 | Circulator Hardware Kit (Includes: 1 Flange, 2 Bolts, 2 Nuts, Diamond Gasket, ¾" N.P.T.)                      |
|          | 381-354-525 | Circulator Hardware Kit (Includes: 1 Flange, 2 Bolts, 2 Nuts, Diamond Gasket, 1" N.P.T.)                      |
|          | 381-354-526 | Circulator Hardware Kit (Includes: 1 flange, 2 bolts, 2 nuts, Diamond gasket, 1¼" N.P.T.)                     |
|          | 381-354-531 | Circulator Hardware Kit (Includes: 1 Flange, 2 Bolts, 2 Nuts, Diamond Gasket, 1½" N.P.T.)                     |
| 8        | 591-391-795 | Damper Wiring Harness with Molex  |
| N/S      | 510-512-337 | Vent Damper Motor Operator with Molex   |
| 9        | 381-800-474 | Vent Damper Assembly, 4", CG-25, 3  |
|          | 381-800-475 | Vent Damper Assembly, 5", CG-4  |
|          | 381-800-476 | Vent Damper Assembly, 6", CG-5, 6   |
|          | 381-800-477 | Vent Damper Assembly, 7", CG-7, 8   |
| 10       | 510-312-166 | Combination Transformer and Relay Receptacle (Relay Ordered Separately) 120/24 Volt, 40VA                     |
| 11       | 510-350-223 | Plug-In Relay, DPST, with 24 Volt Holding Coil  |
| 10,11    | 510-312-167 | Combination Transformer and DPST Relay, 120/24 Volt, 40 VA  |
| 12       | 512-050-230 | Rollout Thermal Fuse, 228°C   |
| 13       | 510-300-013 | Spill Switch with Manual Reset, 210°F<br>CG-25 Only   |
|          | 510-300-014 | Spill Switch with Manual Reset, 240°F<br>CG-3 Thru 8  |

CG/CGM - Series 11 & 12  
Water / Electrical Parts Continued

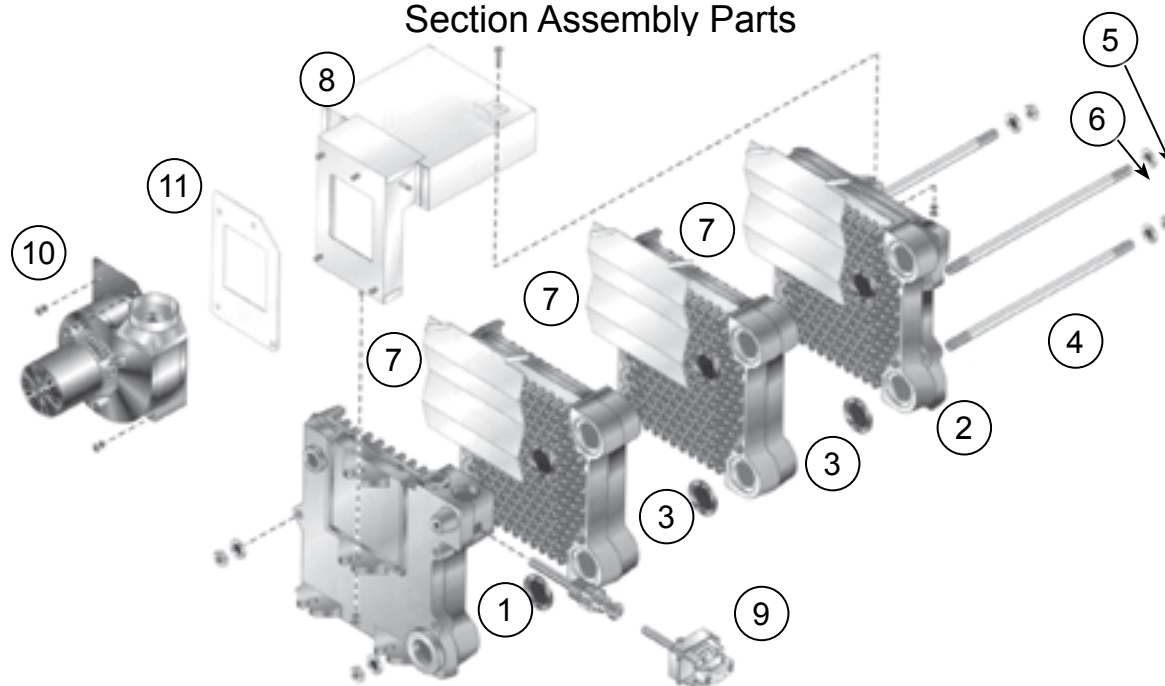
| Fig. No. | Part No.    | Description   |
|----------|-------------|---|
| 14       | 510-632-088 | Fill-Trol Diaphragm Expansion Tank with O-ring and Machine Thread Connector to Fill Valve, Tank Only                  |
|          | 510-632-089 | Fill-Trol Diaphragm Expansion Tank with O-ring and Machine Thread Connector to Fill Valve, Tank Only                  |
| N/S      | 511-210-434 | Fill Valve Angle Style-90 with Built-in Strainer, Pressure Reducer, Check Valve Requires User Provided Shut-Off Valve |

## CG/CGM - Series 11 & 12 Standing Pilot Parts



| Fig. No.                                      | Part No.    | Description  | Boiler Size      |
|---|-------------|--|------------------|
| <b>Components for Natural Gas</b>             |             |  |                  |
| 1   | 511-044-360 | Combination Gas Valve, 1/2" X 1/2" N.P.T., 24 Volt   | 25 – 6           |
|   | 511-044-256 | Combination Gas Valve (Step Opening (1.2 Step) 3/4" X 3/4" N.P.T., 24 Volt)                              | 7 – 8            |
|   | 510-811-644 | Natural Gas Pilot Replacement Kit (Includes: Main Burner with Pilot Bracket, Pilot Burner, Thermocouple) | All              |
|   | 511-724-254 | Thermo-couple 30", Screw In (Natural Gas)  |                  |
| <b>Components for Propane Gas</b>             |             |  |                  |
| 1   | 381-356-534 | Combination Gas Valve, 1/2" x 1/2" N.P.T., 24 Volt   | 25 – 6<br>25 – 6 |
|   | 511-044-257 | Combination Gas Control Valve, 3/4" x 3/4" N.P.T., 24 Volt   | 7 – 8            |
|   | 510-811-646 | LP Gas Pilot Replacement Kit (Includes: Main Burner with Pilot Bracket, Pilot Burner, Thermocouple)      | E38A2            |
|   | 511-724-253 | Thermo-couple 48", Push In (Propane Gas)   |                  |
| <b>Components for Natural and Propane Gas</b> |             |  |                  |
| N/S   | 591-391-862 | Wiring Harness ( <b>Series-12 Only</b> )   |                  |
|   | 560-742-860 | Pilot Tubing, 1/8" O.D. Alum. X 22 3/4" Long With Compression Fittings                                   | All              |
|   | 510-811-648 | Pilot Regulator Kit (Includes: Maxitrol RV-12 Regulator, Tubing and Fittings)                            | 25-3             |
| 2   | 591-391-780 | Wiring Harness for Standing Pilot Damper-( <b>Series 12 Only</b> )                                       |                  |

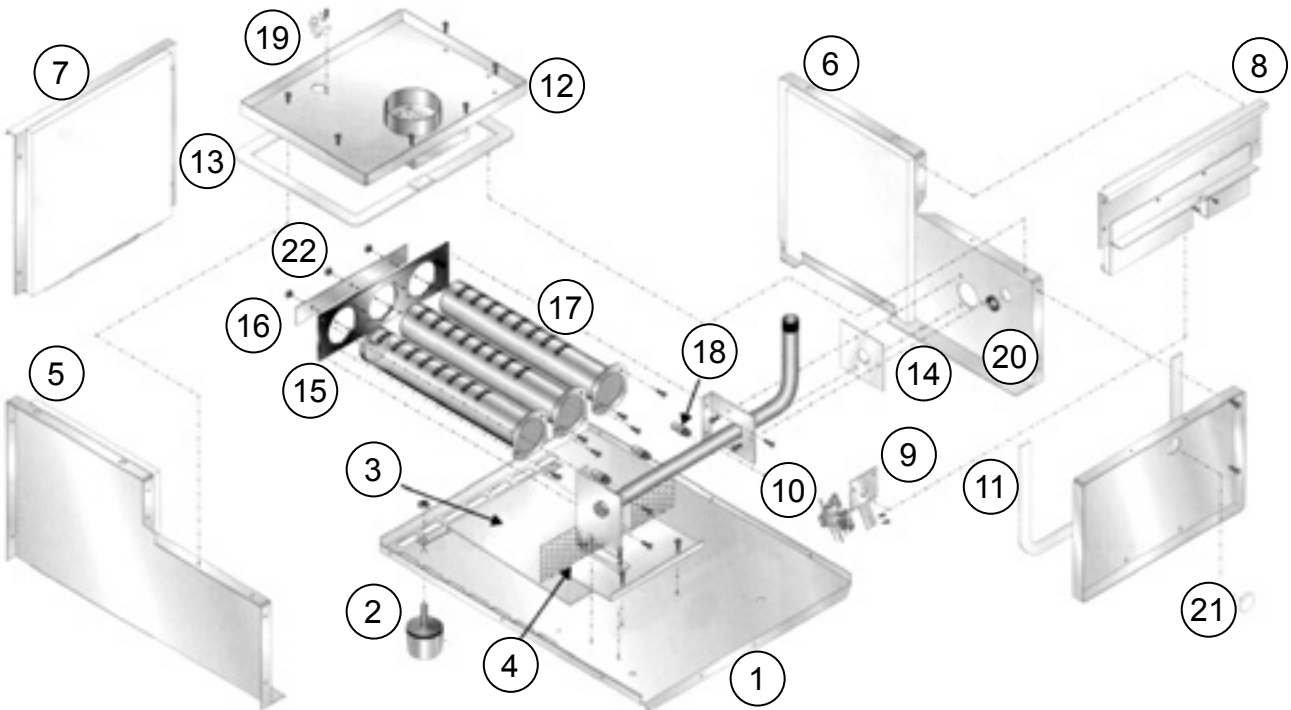
### CGs Section Assembly Parts



| Fig. No. | Part No.    | Description   | Boiler Size   |
|----------|-------------|---|---|
| 1        | 311-103-850 | End Section, Left Hand, Cast #51124   | All   |
| 2        | 311-103-821 | End Section, Right Hand, Cast #51128  | All   |
| 3        | 311-103-818 | Intermediate Section, Cast #51128   | All   |
| N/S      | 321-114-286 | Replacement Section Assembly  | 3   |
|          | 321-114-287 |   | 4   |
|          | 321-114-288 |   | 5   |
|          | 321-114-289 |   | 6   |
|          |             | 381-354-527   | Section Replacement Kit (Includes: Seals and Sealant For (1) Joint) |
| 4        | 560-234-500 | Tie Rod, 7/16" X 9" Without Nut (3 Per Boiler)  | 3   |
|          | 560-234-501 | Tie Rod, 7/16" X 12" Without Nut (3 Per Boiler)   | 4   |
|          | 560-234-502 | Tie Rod, 7/16" X 15" Without Nut (3 Per Boiler)   | 5   |
|          | 560-234-503 | Tie Rod, 7/16" X 18" Without Nut (3 Per Boiler)   | 6   |
| 5        | 561-928-235 | Nut, 7/16" (2 Per Tie Rod)  | All   |
| 6        | 562-248-684 | Washer, Lock 7/16" (1 Per Tie Rod)  | All   |
| 7        | 460-003-700 | Radiation Plate (1 Per Joint)   | All   |
| 8        | 381-354-590 | Collector Hood And Transition Assembly  | 3   |
|          | 381-354-591 |   | 4/4E  |
|          | 381-354-592 |   | 5   |
|          | 381-354-593 |   | 6   |
| 9        | 510-312-250 | High Limit 30° Subtractive Differential With Well   | All   |
| 10       | 381-356-499 | Inducer Fan Assembly Kit (Includes: Inducer, Fan Assembly, Gasket And Nuts)                         | All   |
| 11       | 590-317-627 | Gasket, Inducer Terminator  | All   |
| N/S      | 382-200-430 | Vent/Air-Intake Kit (Includes: Intake/Exhaust Cap, Coupling, Mounting & Backing Plate And Hardware) | All   |



## CGs Base Assembly Parts



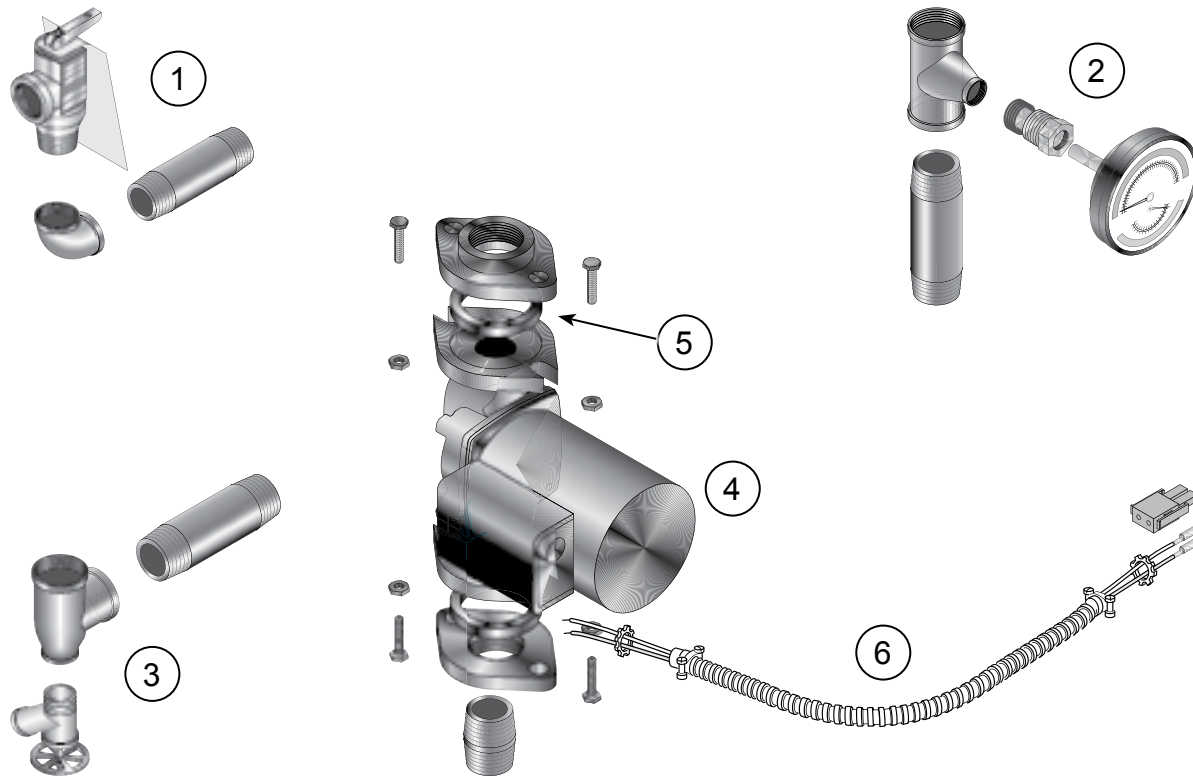
| Fig. No. | Part No.    | Description   | Boiler Size |
|----------|-------------|---|-------------|
| N/S      | 381-356-515 | Base Insulation Kit (Includes: Insulation For All Base Parts Plus Gasket Material Needed Between Block Assembly and Base) | 3           |
|          | 381-356-516 |   | 4           |
|          | 381-356-517 |   | 5           |
|          | 381-356-518 |   | 6           |
|          | 381-356-523 | Base Assembly Kit (Includes: 1, 2, 3, 4, 5, 6, 7, 8, 11, 13 plus Insulation Air Box and Hard Wires)                       | 4           |
|          | 381-356-524 |   | 5           |
|          | 381-356-525 |   | 6           |
|          | 381-356-502 | Inlet Air Box Top Panel Kit (Includes: Inlet Air Box Top Panel and Inlet Air Box Top Panel Gasket)                        | 4           |
|          | 381-356-504 |   | 6           |
|          | 381-356-508 | Inlet Air Box Front Panel Kit (Includes: Inlet Air Box Front Panel and Inlet Air Box Front Panel Gasket)                  | 3           |
|          | 381-356-511 |   | 4           |
|          |             |   | 6           |
| 1        | N/A         | Base Pan (in Base Assembly)   | All         |
| 2        | 550-320-219 | Boiler Leg Kit  | All         |
| 3        | N/A         | Heat Shield (in Base Assembly)  | All         |
| 4        | N/A         | Burner Baffle (in Base Assembly)  | All         |
| Fig. No. | Part No.    | Description   | Boiler Size |
| 5        | N/A         | Base Left Side Panel (in Base Assembly)   | All         |
| 6        | N/A         | Base Right Side Panel (in Base Assembly)  | All         |
| 7        | N/A         | Base Back Panel (in Base Assembly)  | All         |

## CGs Base Assembly Parts Continued

|     |                  |   |     |
|-----|------------------|---|-----|
| 8   | N/A              | Base Front Cross-Tie Assembly   | All |
| 9   | 450-003-689      | Pilot Bracket   | All |
| 10  | 511-330-080      | Pilot Burner Assembly – Natural Gas (Pilot Bracket Sold Separate)       | All |
|     | 511-330-081      | Pilot Burner Assembly - LP Gas (Pilot Bracket Sold Separate)            | All |
| N/S | N/A              | Inlet Air Box Front Panel (In Inlet Air Box Front Panel Kit)            | All |
| 11  | N/A              | Inlet Air Box Front Panel Gasket (Use Air Inlet Box Gasket)             | All |
| 12  | N/A              | Inlet Air Box Top Panel (In Inlet Air Box Top Panel Kit)                | All |
| 13  | N/A              | Inlet Air Box Top Panel Gasket (Use Air Inlet Box Gasket)               | All |
| N/S | 590-317-399      | Air Inlet Box Gasket (8' Long, Must Be Cut To Length)                   | All |
|     | 591-126-722      | Manifold  | 3   |
|     | 591-126-723      |   | 4   |
|     | 591-126-724      |   | 5   |
|     | 591-126-725      |   | 6   |
| 14  | 590-317-406      | Manifold Mounting Gasket  | All |
| 15  | 450-003-690      | Burner Mounting Panel   | 3   |
|     | 450-003-691      |   | 4   |
|     | 450-003-692      |   | 5   |
|     | 450-003-693      |   | 6   |
| 16  | 550-320-160      | Rear Spacer Strip   | 3   |
|     | 550-320-161      |   | 4   |
|     | 550-320-162      |   | 5   |
|     | 550-320-163      |   | 6   |
| 17  | 512-200-076      | Burner  | All |
| 18  | 560-529-077      | Burner Orifice – Natural Gas, Sea Level 2.7mm                           | 2-6 |
|     | 560-529-078      | Burner Orifice – LP Gas, Sea Level 1.65mm                               | 2-6 |
|     | 560-529-126      | Burner Orifice - Natural Gas, Sea Level 2.55mm                          | 4E  |
|     | 560-529-111      | Burner Orifice - LP Gas, Sea Level 1.60mm                               | 4E  |
| 19  | 512-050-230      | Thermal Fuse Element, 229°C   | All |
| 20  | 591-850-064      | Grommet (For Sealing Pilot Tubing/Wiring Opening To Combustion Air Box) | All |
| 21  | 591-491-216      | Inspection Port Clear Plug  | All |
| 22  | Purchase Locally | HEX Nut For Burner End Stud (5mm)                                       |     |

**Number of burners:**
**CGs-3: 2 burners**
**CGs-4: 3 burners**
**CGs-5: 4 burners**
**CGs-6: 5 burners**

## CGs Water Trim Parts



| Fig. No. | Part No.    | Description   | Boiler Size |
|----------|-------------|---|-------------|
| 1        | 383-500-095 | Pressure Relief Valve, ASME, 30 PSIG, 3/4" Male Inlet*  | All         |
| 2        | 380-000-000 | Combination Pressure-Temperature Gauge Kit, 60°-360°F 0-75 PSI, 3/8" Dia., 1/4" N.P.T., Short Shank With 1/4" x 1/2" Reducing Bushing | All         |
| 3        | 511-210-423 | Drain Valve 3/4"  | All         |
|          | 511-246-392 | Drain Valve 3/4"  | All         |
| 4        | 511-405-113 | Circulator*   | All         |
| 5        | 590-317-535 | Circulator Gasket, Universal (2 Per Boiler)   | All         |
| N/S      | 381-354-525 | Circulator Hardware Kit (Includes: (1) Flange, (1) Gasket, (2) Nuts, (2) Screws) 1" N.P.T.)   | 3, 4, 5     |
|          | 381-354-526 | Circulator Hardware Kit (Includes: (1) Flange, (1) Gasket, (2) Nuts, (2) Screws) 1 1/4" N.P.T.)                                       | 6           |
| 6        | 381-356-528 | Circulator Wiring Harness Kit with Molex (Loose)  | All         |

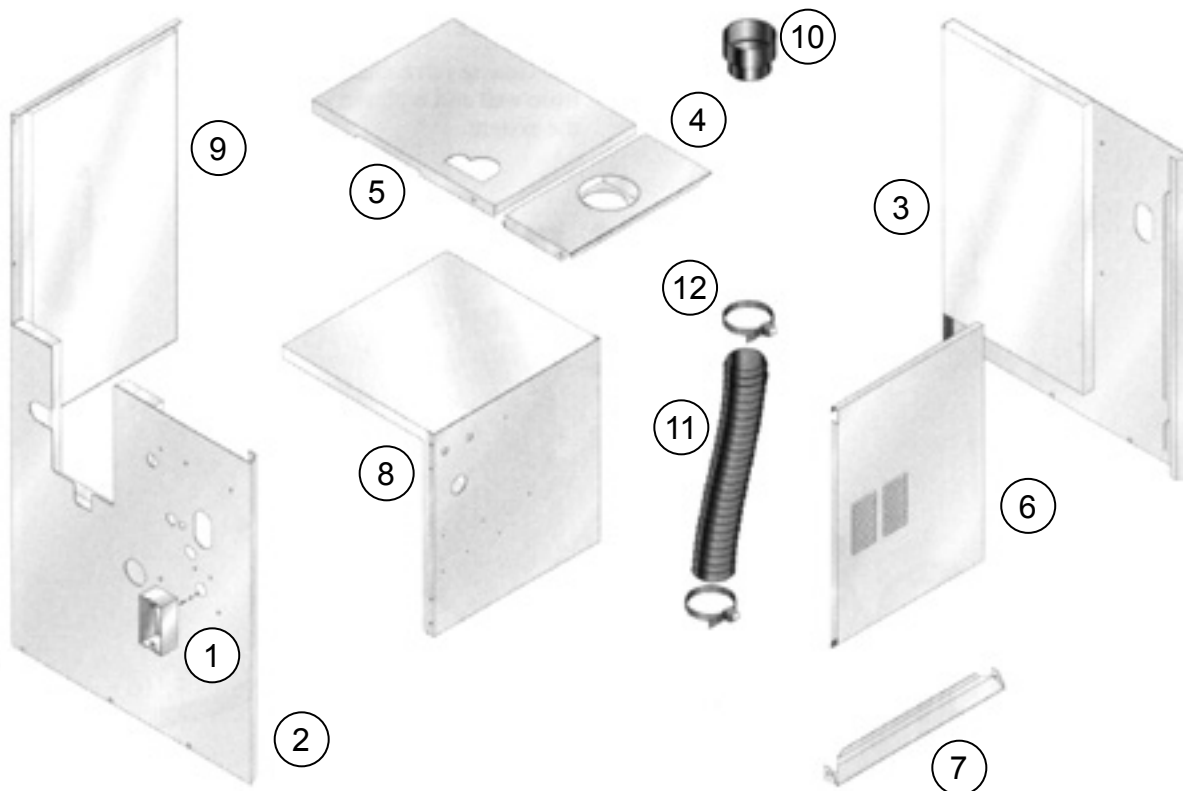
\* Pipe fittings available locally

## CGs Gas Control Parts



| Fig. No.                                  | Part No.    | Description   | Boiler Size |
|---|-------------|---|-------------|
| <b>Natural Gas Components</b>             |             |   |             |
| 1   | 381-356-532 | Gas Valve, ½" x ½" with Hose Barb (Replacement Kit)   | 3, 4, 5, 6  |
|   | 511-044-507 | Natural Gas Valve, ½" Two Stage   | 4E          |
| 2   | 511-330-080 | Pilot Assembly Kit with Orifice and Aluminum Pilot Gas Tubing (Pilot Bracket Sold Separate) | All         |
| <b>Propane Gas Components</b>             |             |   |             |
| 1   | 381-356-533 | Gas Valve, ½" x ½" with Hose Barb (Replacement Kit)   | 3, 4, 5, 6  |
|   | 511-044-509 | LP Gas Valve, ½" Two Stage  | 4E          |
| 2   | 511-330-081 | Pilot Assembly Kit with Orifice and Aluminum Pilot Gas Tubing (Pilot Bracket Sold Separate) | All         |
| <b>Natural Gas and Propane Components</b> |             |   |             |
| N/S                                       | 450-003-689 | Pilot Bracket   |             |
| 3   | 511-330-090 | Control Module With 10 Second Pre-Purge   | All         |
|   | 591-391-894 | Wiring Harness Control  | 3-6         |
|   | 591-391-900 | Wiring Harness Junction Box To Control Module   | All         |
| N/S                                       | 591-391-951 | Wiring Harness Controls   | 4E          |
|   | 591-391-954 | Timer Harness   | 4E          |
|   | 510-350-468 | Delay Timer - 24 Volt, 90 Second, Delay On Make   | 4E          |
| 4   | 511-624-401 | Air Pressure Switch 0' to 1999', 1.79" W.C.   | 3           |
|   | 511-624-402 | Air Pressure Switch 0' to 1999', 1.48" W.C.   | 4           |
|   | 511-624-403 | Air Pressure Switch 0' to 1999', 1.22" W.C.   | 5           |
|   | 511-624-404 | Air Pressure Switch 0' to 1999', .95" W.C.  | 6           |
|   | 511-624-656 | Air Pressure Switch 1.71" W.C.  | 4E          |
| 5   | 511-842-370 | 24 volt Step Down Transformer, 40 VA  | All         |
| N/S                                       | 590-317-650 | Air Pressure Switch Tubing, Red, .12 ID Silicone, 17"                                       | All         |
|   | 590-317-651 | Air Pressure Switch Tubing, White, .12 ID Silicone, 19"                                     | All         |
|   | 510-811-096 | Natural to LP Conversion Kit  | 3, 4, 5, 6  |
|   | 510-811-125 |   | 4E          |
|   | 510-811-097 | LP to Natural Conversion Kit  | 3, 4, 5, 6  |
|   | 510-811-099 |   | 4E          |

## CGs Jacket Assembly Parts



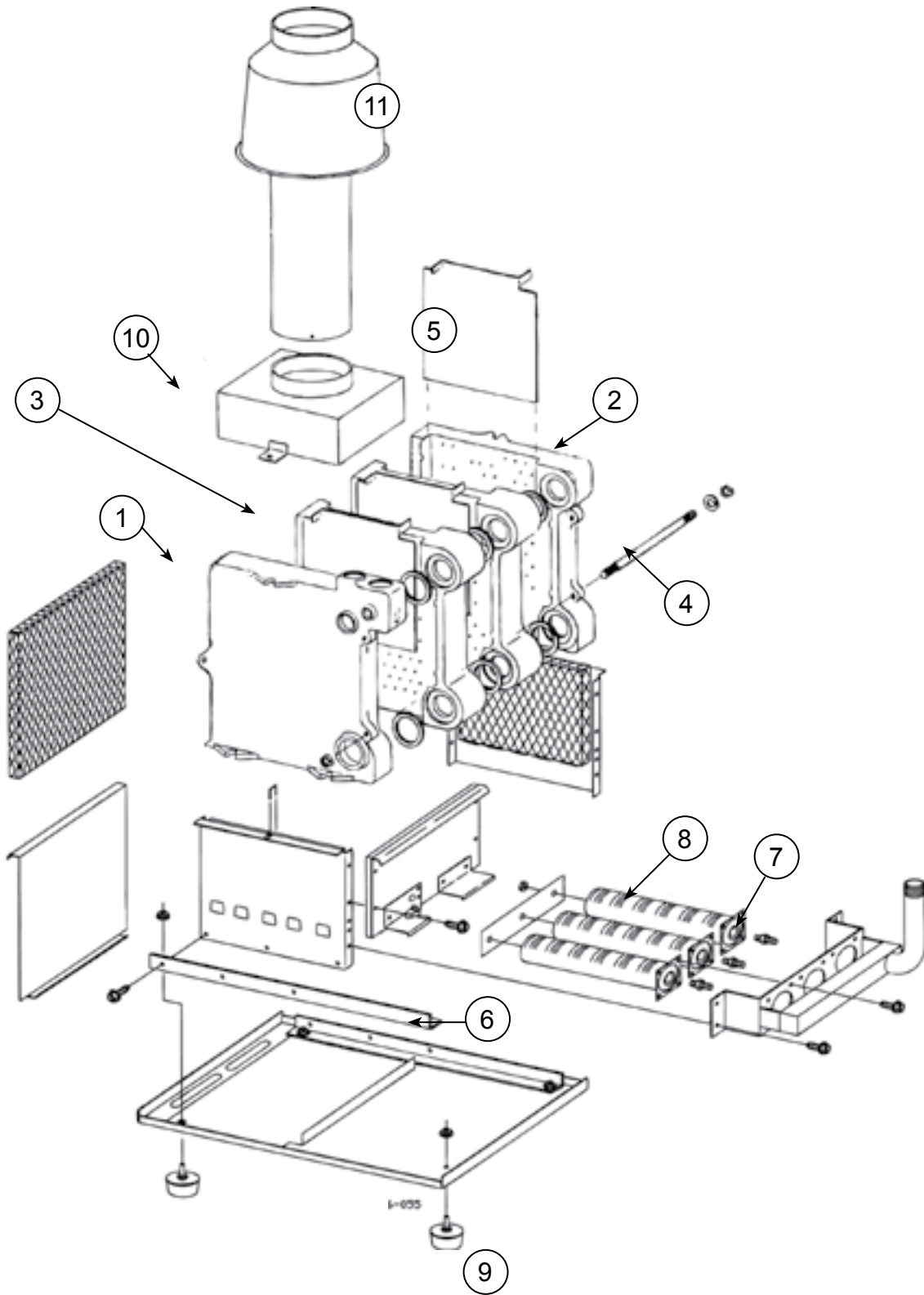
| Fig. No. | Part No.          | Description                                     | Boiler Model |
|----------|-------------------|---|--------------|
| 1        | Available Locally | Junction Box, 2 x 4                             | CGs-3        |
|          |                   |   | CGs-4        |
|          |                   |   | CGs-5        |
|          |                   |   | CGs-6        |
| 2        | 381-355-701       | Panel, Left Side, With Insulation (Natural Gas) | CGs-3        |
|          | 381-355-708       |   | CGs-4        |
|          | 381-355-815       |   | CGs-5        |
|          | 381-355-722       |   | CGs-6        |
|          | 381-355-794       |   | 4E           |
|          | 381-355-735       | Panel, Left Side, With Insulation (Propane Gas) | CGs-5        |
|          | 381-355-738       |   | CGs-6        |
| 3        | 381-355-760       | Panel, Right Side, With Insulation              | CGs-3        |
|          | 381-355-793       |   | CGs-4        |
|          | 381-355-793       | Panel, Right Side, With Insulation              | CGs-5        |
|          |                   |   | CGs-6        |

## CGs Jacket Assembly Parts Continued

|     |             |                                  |                     |       |
|-----|-------------|----------------------------------|---------------------|-------|
| 4   | 431-223-345 | Panel Top Front Jacket Size-3    | 13.33 x 6.22 x 1.41 | CGs-3 |
|     | 431-223-346 | Panel Top Front Jacket Size-4    | 16.33 x 6.22 x 1.41 | CGs-4 |
|     | 431-223-347 | Panel Top Front Jacket Size-5    | 19.33 x 6.22 x 1.41 | CGs-5 |
|     | 431-223-348 | Panel Top Front Jacket Size-6    | 22.33 x 6.22 x 1.41 | CGs-6 |
| 5   | 381-355-706 | Panel, Top Rear, With Insulation |                     | CGs-3 |
|     | 381-355-713 |                                  | CGs-4               |       |
|     | 381-355-720 |                                  | CGs-5               |       |
|     | 381-355-727 |                                  | CGs-6               |       |
| 6   | 381-355-707 | Panel, Door                      |                     | CGs-3 |
|     | 381-355-714 |                                  | CGs-4               |       |
|     | 381-355-721 |                                  | CGs-5               |       |
|     | 381-355-728 |                                  | CGs-6               |       |
|     | 381-355-795 |                                  | 4E                  |       |
| 7   | 431-233-325 | Cross Tie, Bottom Front          |                     | CGs-3 |
|     | 431-223-326 |                                  | CGs-4               |       |
|     | 431-223-327 |                                  | CGs-5               |       |
|     | 431-223-328 |                                  | CGs-6               |       |
| 8   | 381-355-415 | Panel, Interior, With Insulation |                     | CGs-3 |
|     | 381-355-422 |                                  | CGs-4               |       |
|     | 381-355-429 |                                  | CGs-5               |       |
|     | 381-355-436 |                                  | CGs-6               |       |
| 9   | 431-223-301 | Panel, Rear, With Insulation     |                     | CGs-3 |
|     | 431-223-302 |                                  | CGs-4               |       |
|     | 431-223-303 |                                  | CGs-5               |       |
|     | 431-223-304 |                                  | CGs-6               |       |
| 10  | 382-200-310 | Air Inlet Fitting                |                     | All   |
| 11  | 562-302-573 | Inlet Air Hose                   |                     | All   |
| 12  | 591-850-068 | Hose Clamp 3"                    |                     | All   |
| N/S | 592-002-029 | Touch-Up Paint - Gold - Low E    | 4.5oz Can           | All   |

# NOTES

### CGx - Series 1 & 2 Section / Base Assembly





## CGx - Series 1 & 2 Section / Base Assembly Parts

| Fig. No. | Part No.    | Description   | Model |
|----------|-------------|---|-------|
| 1        | 311-103-851 | Left Hand End Section, 51124  |       |
| 2        | 311-103-821 | Right Hand End Section, 51128                                       |       |
| 3        | 311-103-818 | Intermediate Section, 51125   |       |
| N/S      | 321-114-286 | Replacement Section Assembly  | CGx-3 |
|          | 321-114-287 |   | CGx-4 |
|          | 321-114-288 |   | CGx-5 |
|          | 321-114-289 |   | CGx-6 |
|          | 381-354-527 | Section Replacement Kit (Includes: Seals and Sealant For One Joint) |       |
| 4        | 560-234-500 | 7/16" Tie Rod Without Nut (3 Per Boiler)                            | CGx-3 |
|          | 560-234-501 |   | CGx-4 |
|          | 560-234-502 |   | CGx-5 |
|          | 560-234-503 |   | CGx-6 |
| N/S      | 562-248-684 | Washer Lock Helical Spring Regular 7/16 Zinc Plated                 |       |
| 5        | 460-003-700 | Radiation Plate with Horizontal Bends, 1 Per Joint                  |       |
| 6        | 450-030-971 | Base Pan Angle, Universal Fits Right Or Left                        |       |
| 7        | 560-529-058 | Main Burner Orifice (35 Drill)                                      |       |
| 8        | 550-320-152 | Burner  |       |
| 9        | 550-320-219 | Boiler Leg Kit  |       |
| 10       | 450-020-487 | Collector Hood  | CGx-3 |
|          | 450-020-488 |   | CGx-4 |
|          | 450-020-489 |   | CGx-5 |
|          | 450-020-490 |   | CGx-6 |
| 11       | 450-021-241 | Vertical Draft Hood   | CGx-3 |
|          | 450-021-242 |   | CGx-4 |
|          | 450-021-243 |   | CGx-5 |
|          | 450-021-244 |   | CGx-6 |
| N/S      | 591-602-913 | Retort Cement (One Quart)   |       |
|          | 592-002-030 | Touch Up Paint - Blue/Gray - Low E 4.5oz Can                        |       |

**Note: Parts not listed above are obsolete. No Replacement.**

**Number of burners:**

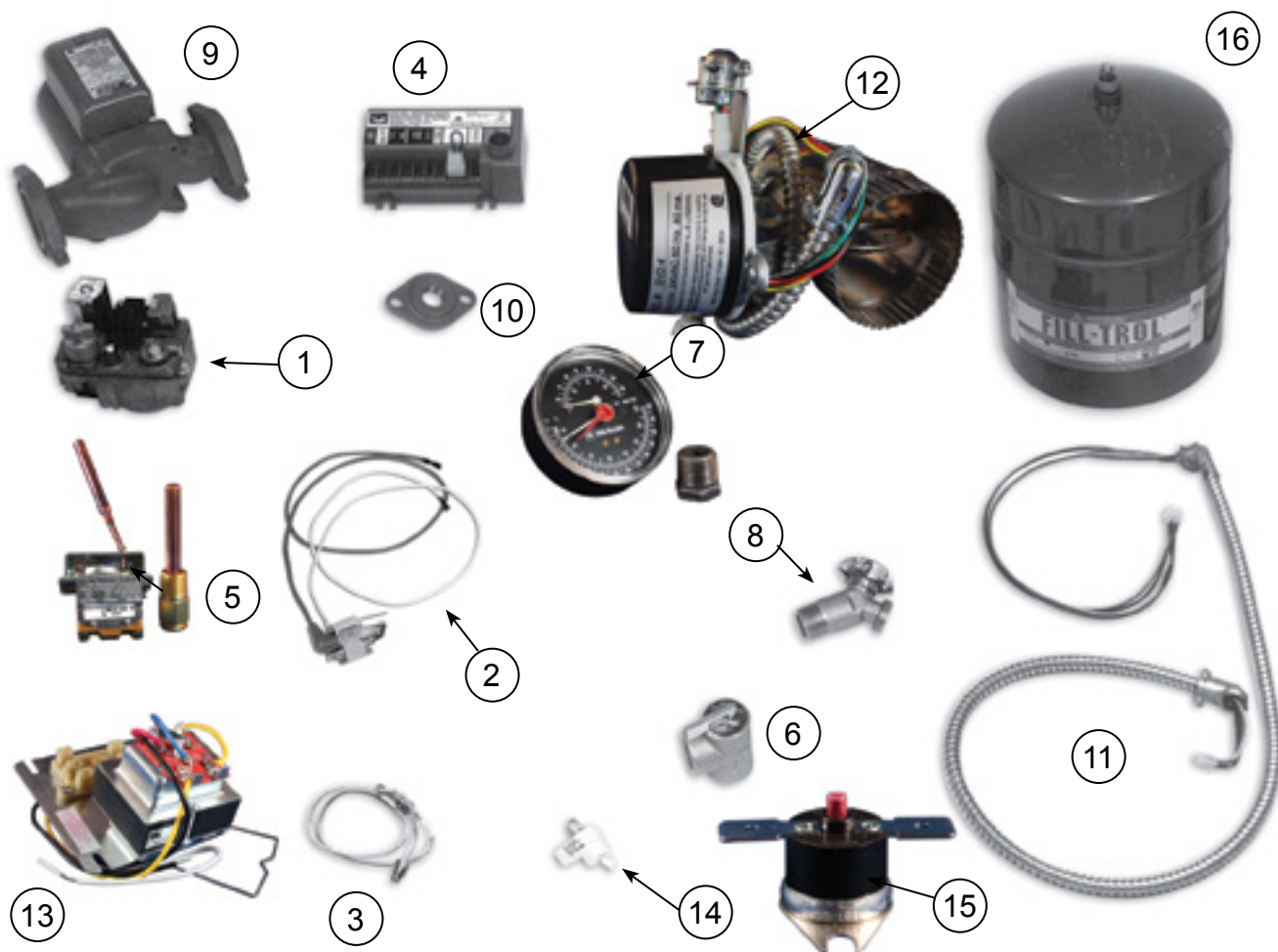
**CGx-3: 2 burners**

**CGx-4: 3 burners**

**CGx-5: 4 burners**

**CGx-6: 5 burners**

## CGx - Series 1 & 2 Water Trim / Gas Control Parts



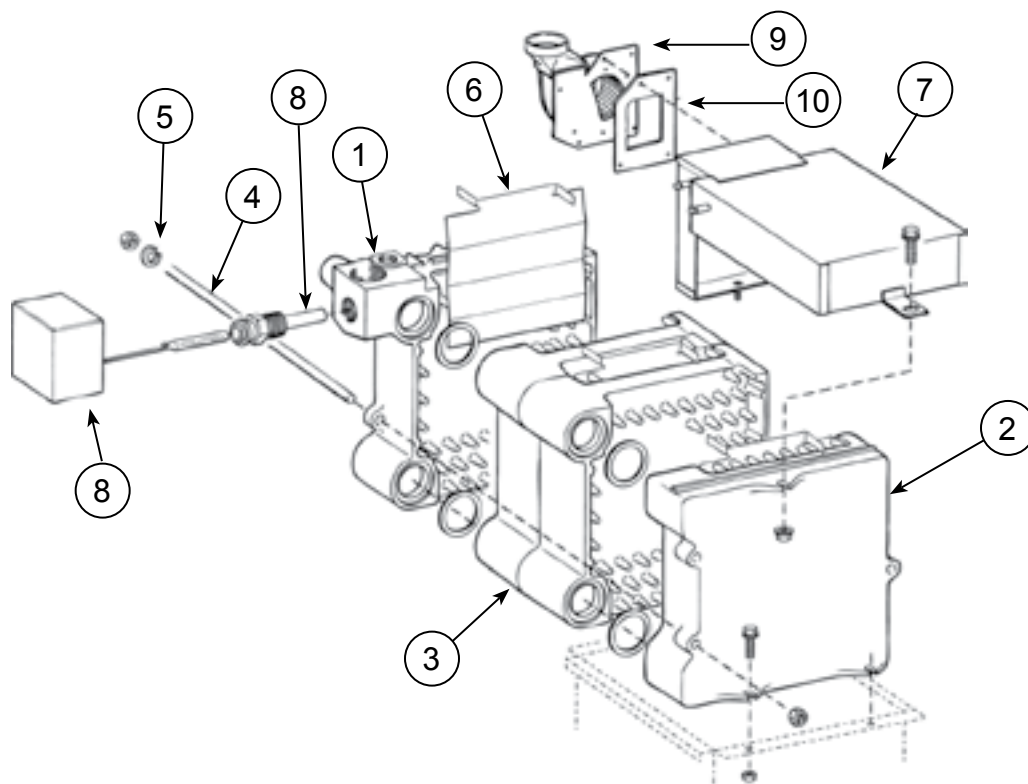
| Fig. No.  | Part No.    | Description   |
|---|-------------|---|
| <b>Notice: This Boiler Cannot Be Used For Propane Gas</b> |             |   |
| 1   | 511-044-381 | Combination Gas Control Valve, ½" X ½" N.P.T., 24 Volt  |
| 2   | 511-330-218 | Pilot Assembly Kit (Includes: Orifice, Aluminum Pilot Gas Tubing, Spark Wire and Sense Wire)                                |
| 3   | 560-742-860 | Pilot Tubing, ⅛" O.D. X 22¾" With Fittings  |
| 4   | 511-330-095 | Ignition Sensing Control Module with Damper Molex, 24 Volt (Series 1)   |
|   | 511-330-097 | Ignition Sensing Control Module without Damper Molex, 24 Volt (Series 2)  |
| 5   | 510-312-250 | High Limit Temperature Control, 30°F Fixed Subtractive Differential With ½" N.P.T. Well, Automatic Recycle, 140-240°F Range |
| 6   | 383-500-095 | Relief Valve (Male) 30 PSIG, ¾" N.P.T.  |
| 7   | 380-000-000 | Combination Pressure-Temperature Gauge, 3" Dia., 0-75 PSIG, 60-320°F, Short Shank, Back Connection, ¼" N.P.T.               |
| 8   | 511-210-423 | Drain Valve, ¾" N.P.T., 1½" Shank   |

## CGx - Series 1 & 2 Water Trim / Gas Control Parts Continued

|     |             |   |
|-----|-------------|---|
| 9   | 511-405-113 | Circulator, 1/25 HP, 120/60/1   |
|     | 511-405-115 | Circulator, 1/12 HP, 120/60/1   |
| N/S | 511-405-535 | Circulator Gasket   |
| 10  | 381-354-525 | Circulator Hardware Kit (Includes: 1 Flange, 2 Bolts, 2 Nuts, Diamond Gasket, 1" N.P.T.)                              |
|     | 381-354-526 | Circulator Hardware Kit (Includes: 1 Flange, 2 Bolts, 2 Nuts, Diamond Gasket, 1¼" N.P.T.)                             |
| N/S | 591-319-793 | Wiring Harness Circulator   |
| 11  | 591-391-795 | Vent Damper Wiring Harness  |
| N/S | 510-512-337 | Vent Damper Motor Operator with Molex   |
| 12  | 381-800-474 | Automatic Vent Damper Assembly, 4", CGx-3   |
|     | 381-800-475 | Automatic Vent Damper Assembly, 5", CGx-4   |
|     | 381-800-476 | Automatic Vent Damper Assembly, 6", CGx-5, 6  |
| N/S | 510-312-167 | Combination Transformer and DPST Relay, 120/24 Volt, 40 VA  |
| 13  | 510-312-166 | Combination Transformer-Relay Receptacle, 120/24 Volt, 40VA   |
| N/S | 510-350-223 | Plug-In Relay, SPDT, with 24 Volt Holding Coil  |
| 14  | 512-050-230 | Rollout Thermal Fuse, 228°C   |
| 15  | 510-300-014 | Spill Switch with Manual Reset, 240°F CG-3 to 8   |
| 16  | 510-632-088 | Fill-Trol Diaphragm Expansion Tank  |
|     | 510-632-089 |   |
| N/S | 511-210-434 | Fill Valve Angle Style-90 with Built-in Strainer, Pressure Reducer, Check Valve Requires User Provided Shut-Off Valve |
|     | 591-391-863 | Wiring Harness CG, CGx (Series 2 Only) See Note Below   |

**Note: Series 1 uses individual wires and not a wire harness.**

## CGi - Series 1 Section Assembly Parts

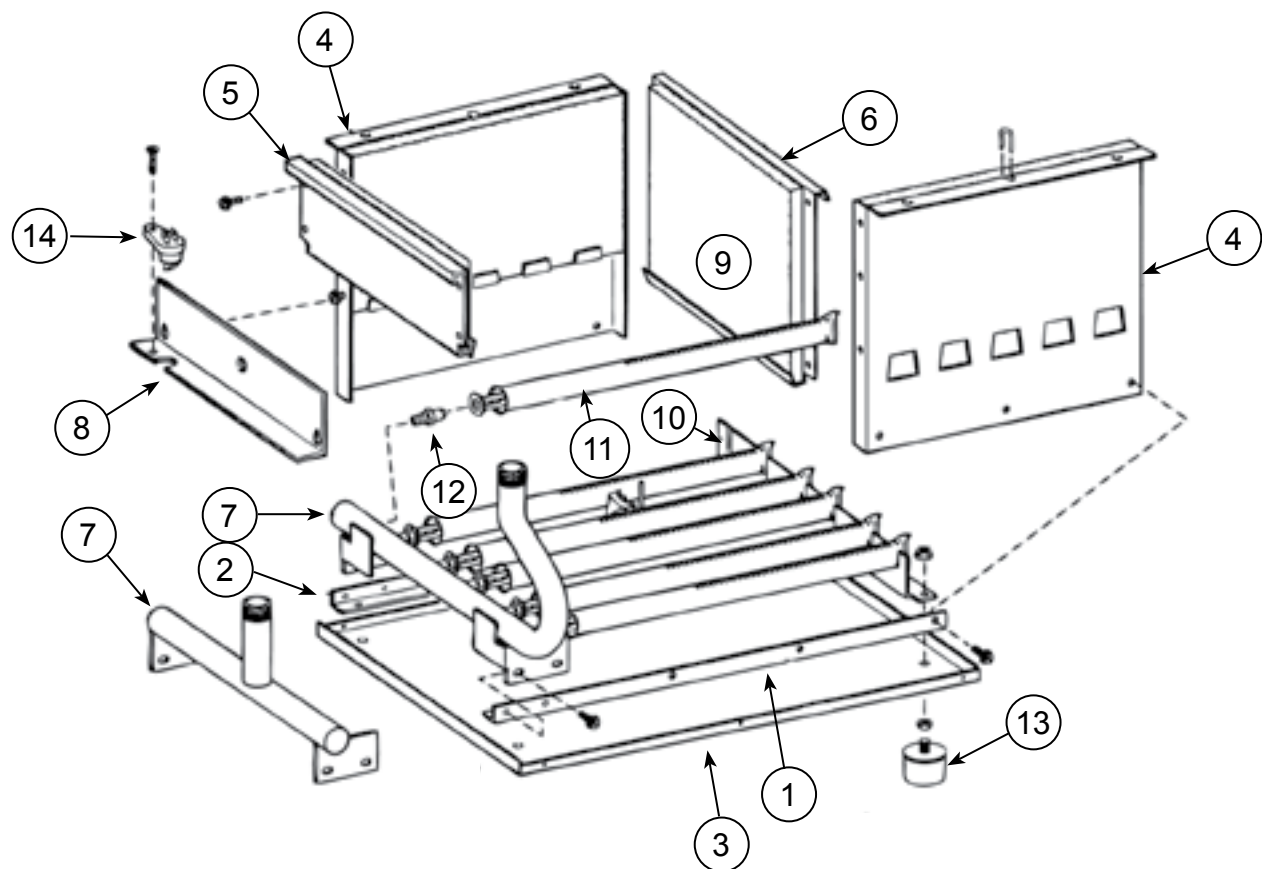


| Fig. No. | Part No.    | Description  | Model    |
|----------|-------------|--|----------|
| 1        | 311-103-851 | Left Hand End Section, 51124   |          |
| 2        | 311-103-821 | Right Hand End Section, 51128  |          |
| 3        | 311-103-818 | Intermediate Section, 51125  |          |
| N/S      | 321-114-286 | Section Assembly   | CGi-25/3 |
|          | 321-114-287 |  | CGi-4    |
|          | 321-114-288 |  | CGi-5    |
|          | 321-114-289 |  | CGi-6    |
|          | 321-114-290 |  | CGi-7    |
|          | 381-354-527 | Section Replacement Kit (Includes: Seals and Silicone Sealant For One Joint) |          |
|          | 592-800-011 | Square Cut Seal 2"   |          |
| 4        | 560-234-500 | 7/16" X 9" Tie Rod Without Nut (3 Per Boiler)                                | CGi-25/3 |
|          | 560-234-501 | 7/16" X 12" Tie Rod Without Nut (3 Per Boiler)                               | CGi-4    |
|          | 560-234-502 | 7/16" X 15" Tie Rod Without Nut (3 Per Boiler)                               | CGi-5    |
|          | 560-234-503 | 7/16" X 18" Tie Rod Without Nut (3 Per Boiler)                               | CGi-6    |
|          | 560-234-504 | 7/16" X 21" Tie Rod Without Nut (3 Per Boiler)                               | CGi-7    |
|          | 560-234-505 | 7/16" X 24" Tie Rod Without Nut (3 Per Boiler)                               | CGi-8    |
| 5        | 562-248-684 | 7/16" Washer Medium Plain Split Lock, 1 Per Rod                              | All      |
| N/S      | 561-928-235 | 7/16" Hex Nut - 2 Per Tie Rod  | All      |

CGi - Series 1  
Section Assembly Parts Continued

| Fig. No. | Part No.    | Description  | Model  |
|----------|-------------|--|--------|
| 6        | 460-003-700 | Radiation Plate with Horizontal Bends, 1 Per Joint                                       |        |
| 7        | 381-354-581 | Collector Hood and Transition Replacement Kit  | CGi-25 |
|          | 381-354-582 |  | CGi-3  |
|          | 381-354-583 |  | CGi-4  |
|          | 381-354-584 |  | CGi-5  |
|          | 381-354-585 |  | CGi-6  |
|          | 381-354-586 |  | CGi-7  |
| 8        | 510-312-254 | High Limit, 30° Differential, with /Well, Case, Cover and Screw<br>Honeywell- L4080B1386 |        |
| 9        | 381-354-580 | Inducer Fan Assembly Kit (Includes Inducer Fan Assembly, Gasket and Nuts)                |        |
| 10       | 590-317-627 | Inducer Gasket   |        |

## CGi - Series 1 Base Assembly Parts



| Fig. No. | Part No.    | Description                | Model    |
|----------|-------------|----------------------------|----------|
| 1        | 450-030-474 | Base Pan Angle- Right Hand |          |
| 2        | 450-030-475 | Base Pan Angle- Left Hand  |          |
| 3        | 450-003-730 | Base Pan                   | CGi-25/3 |
|          | 450-003-731 |                            | CGi-4    |
|          | 450-003-732 |                            | CGi-5    |
|          | 450-003-733 |                            | CGi-6    |
|          | 450-003-734 |                            | CGi-7    |
| 4        | 460-003-710 | Base Side Panel            |          |
| 5        | 460-003-777 | Base Front Cross Tie       | CGi-25/3 |
|          | 460-003-778 |                            | CGi-4    |
|          | 460-003-779 |                            | CGi-5    |
|          | 460-003-780 |                            | CGi-6    |
|          | 460-003-781 |                            | CGi-7    |
| 6        | 460-003-701 | Base Back Cross Tie        | CGi-25/3 |
|          | 460-003-702 |                            | CGi-4    |
|          | 460-003-703 |                            | CGi-5    |
|          | 460-003-704 |                            | CGi-6    |
|          | 460-003-705 |                            | CGi-7    |

## CGi - Series 1 Base Assembly Parts Continued

| Fig. No. | Part No.    | Description  | Model              |
|----------|-------------|--|--------------------|
| 7        | 591-126-615 | Manifold   | CGi-25             |
|          | 591-126-616 |  | CGi-3              |
|          | 591-126-617 |  | CGi-4              |
|          | 591-126-618 |  | CGi-5              |
|          | 591-126-619 |  | CGi-6              |
|          | 591-126-556 |  | CGi-7              |
| 8        | 460-003-741 | Access Panel   | CGi-25, 3          |
|          | 460-003-742 |  | CGi-4              |
|          | 460-003-743 |  | CGi-5              |
|          | 460-003-744 |  | CGi-6              |
|          | 460-003-745 |  | CGi-7              |
| 9        | 381-354-518 | Base Insulation Set  | CGi-25, 3,<br>4, 5 |
|          | 381-354-519 |  | CGi-6, 7           |
| 10       | 450-003-742 | Burner Rest  | CGi-25             |
|          | 450-003-736 |  | CGi-3              |
|          | 450-003-737 |  | CGi-4              |
|          | 450-003-738 |  | CGi-5              |
|          | 450-003-739 |  | CGi-6              |
|          | 450-003-740 |  | CGi-7              |
| 11       | 512-200-077 | Stainless Steel Burner with No Pilot Bracket                     |                    |
|          | 512-200-078 | Stainless Steel Burner, Regular with Pilot Bracket (Natural Gas) |                    |
|          | 512-200-079 | Stainless Steel Burner with Pilot Bracket (LP)                   |                    |
| 12       | 560-528-997 | Main Burner Orifice, 2.0mm, Natural Gas                          |                    |
|          | 560-528-998 | Main Burner Orifice, 1.3mm, Propane                              |                    |
| 13       | 550-320-219 | Boiler Leg Kit (Includes: 4 Legs & 4 Nuts)                       |                    |
| 14       | 512-050-230 | Rollout Thermal Fuse Element, Elmwood Sensors- RD226-001         |                    |

**Note: Number of burners:**

**CGi-25 – 2 main burners and 1 burner with pilot bracket**

**CGi-3 – 3 main burners and 1 burner with pilot bracket**

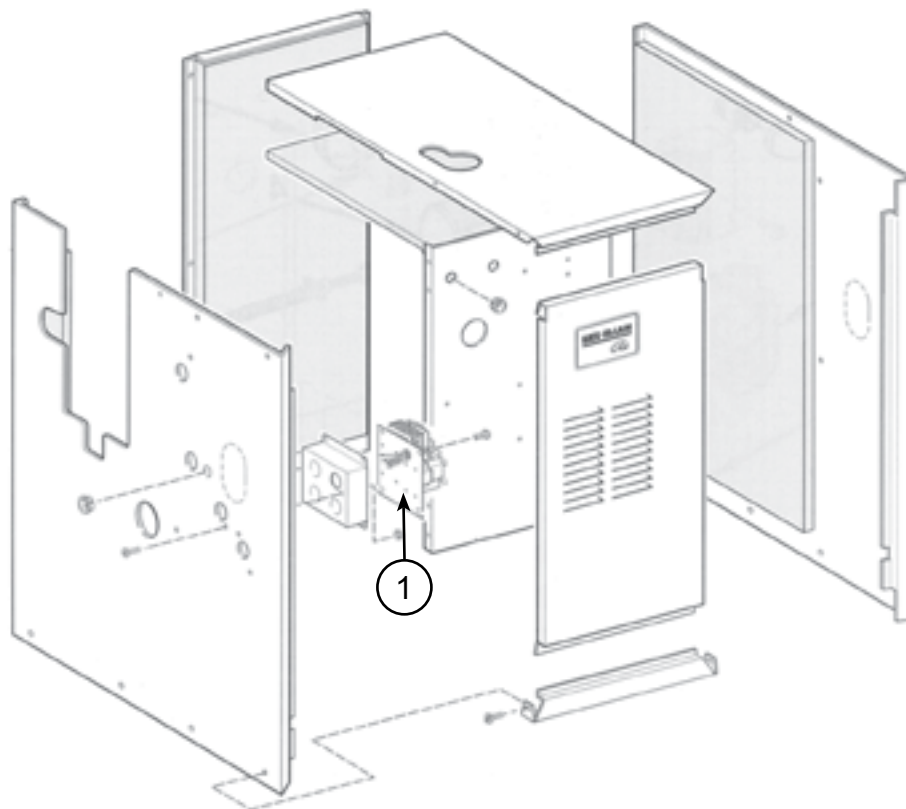
**CGi-4 – 5 main burners and 1 burner with pilot bracket**

**CGi-5 – 7 main burners and 1 burner with pilot bracket**

**CGi-6 – 9 main burners and 1 burner with pilot bracket**

**CGi-7 – 11 main burners and 1 burner with pilot bracket**

## CGi - Series 1 Jacket / Electrical Parts

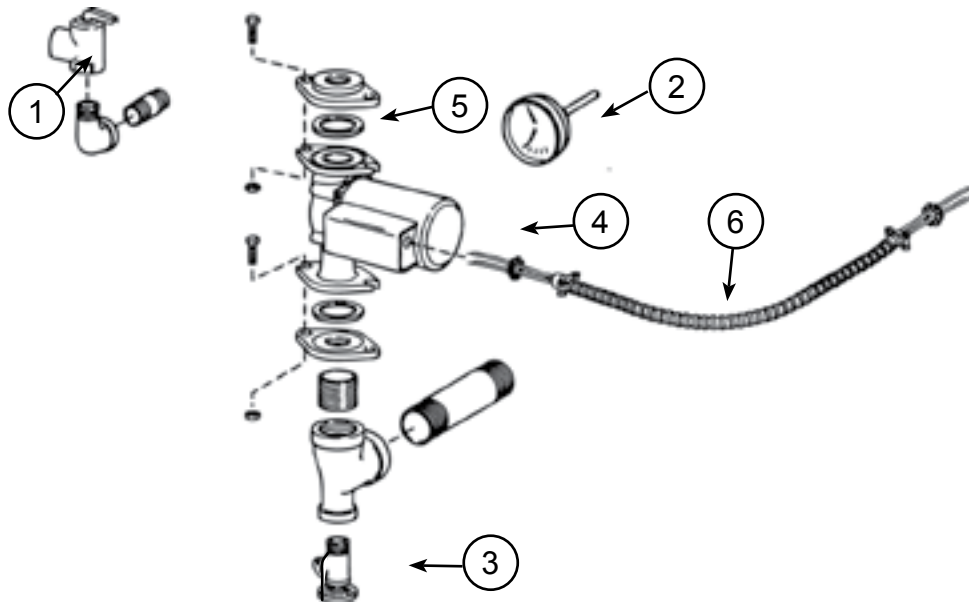


| Fig. No. | Part No.    | Description                                    |
|----------|-------------|--|
| 1        | 510-312-167 | Transformer/Relay Assembly                     |
|          | 510-312-166 | Transformer 24 Volt, with Bale Wire (No Relay) |
|          | 510-350-223 | Relay  |
| N/S      | 592-002-030 | Touch Up Paint - Blue/Gray - Low E - 4.5oz Can |

**Jacket Parts Are No Longer Available.**

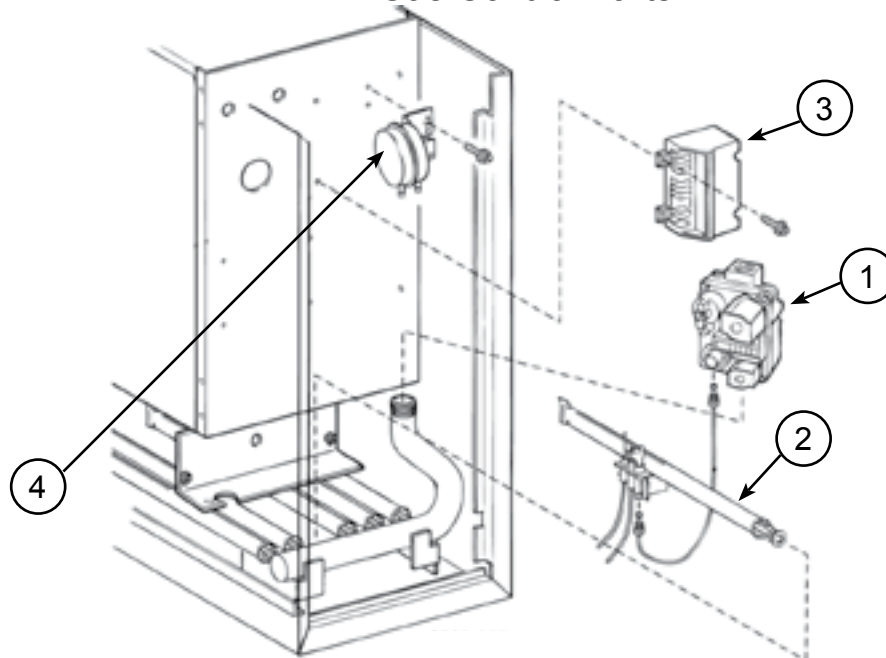


## CGi - Series 1 Water Trim Parts



| Fig. No. | Part No.    | Description   |
|----------|-------------|---|
| 1        | 383-500-095 | ASME Pressure Relief Valve, 30 PSIG, 3/4" Male Inlet  |
| 2        | 380-000-000 | Combination Pressure-Temperature Gauge, 3" Dia., 0-75 PSIG, 60-320°F, Short Shank, Back Connection, 1/4" N.P.T. |
| 3        | 511-210-423 | Drain Valve, 3/4" N.P.T, 1 1/2" Shank   |
| 4        | 511-405-115 | Circulator  |
|          | 511-405-113 | Circulator  |
| 5        | 590-317-535 | Circulator Gasket, Diamond Universal (Two Per Boiler)   |
| 6        | 591-319-793 | Wiring Harness For Circulator   |
| N/S      | 381-354-530 | Circulator Hardware Kit (Includes: 1 Flange, 2 Bolts, 2 Nuts, 1 Gasket, 3/4" N.P.T) Fits Taco Circulators       |
|          | 381-354-525 | Circulator Hardware Kit (Includes: 1 Flange, 2 Bolts, 2 Nuts, 1 Gasket, 1" N.P.T) Fits Taco Circulators         |
|          | 381-354-526 | Circulator Hardware Kit (Includes: 1 Flange, 2 Bolts, 2 Nuts, 1 Gasket, 1 1/4" N.P.T) Fits Taco Circulators     |

## CGi - Series 1 Gas Control Parts

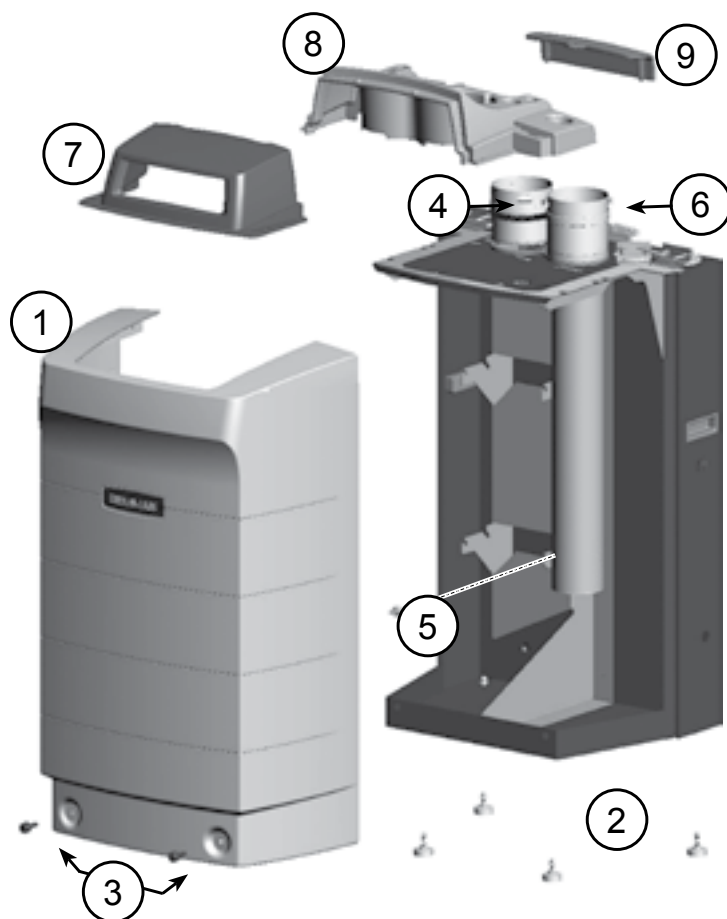


| Fig. No.    | Part No.   | Description  | Boiler Size  |
|-------------|--|--|--|
| 1           | 511-044-381  | Gas Valve, 1/2" X 1/2", Natural, CGi 25-6  | 25 thru 6  |
|             | 511-044-353  | Gas Valve, 3/4" x Natural  | 7  |
|             | 511-044-354  | Gas Valve, 1/2" x 1/2", Propane  | 25, 6  |
|             | 511-044-355  | Gas Valve, 3/4" x 3/4", Propane  | 7  |
| 2           | 510-811-221  | Pilot Assembly Kit (Includes: Orifice and Burner with Pilot Bracket, Wires and Pilot Tubing) Natural Gas | All  |
|             | 510-811-222  | Pilot Assembly Kit (Includes: Orifice and Burner with Pilot Bracket, Wires and Pilot Tubing ) Propane    | All  |
| 3           | 511-330-099  | Ignition Control Module  | All  |
| N/S         | 560-742-860  | Pilot Tubing, 1/8" O.D., Aluminum  | All  |
| 4           | 511-624-450  | Pressure Differential Switch, 1.18" W.C., 0' to 1,999' Altitude  | 25, 3, 4   |
|             | 511-624-451  | Pressure Differential Switch, .96" W.C., 2,000' to 10,000' Altitude                                      |  |
|             |  |  | Pressure Differential Switch, .96" W.C., 0' to 1,999' Altitude |
|             | 511-624-452  | Pressure Differential Switch, .75" W.C., 2,000' to 10,000' Altitude                                      | 6  |
|             |  |  |  |
|             | 511-624-453  | Pressure Differential Switch, .59" W.C., 2,000' to 10,000' Altitude                                      | 7  |
|             |  |  |  |
| 511-624-432 | Pressure Differential Switch, .48" W. C., 2,000' to 10,000' Altitude |  |  |

CGi - Series 1  
Gas Control Parts Continued

| Fig. No. | Part No.    | Description   | Boiler Size |
|----------|-------------|---|-------------|
|          | 590-317-650 | Air Pressure Switch Tubing, Red, .12 ID Silicone, 17"   | All         |
|          | 590-317-651 | Air Pressure Switch Tubing, White, .12 ID Silicone, 19" | All         |
|          | 591-319-795 | Wiring Harness  | All         |
| N/S      | 510-811-225 | Natural to Propane Conversion Kit                       | 25 thru 6   |
|          | 510-811-226 |   | 7           |
|          | 510-811-227 | Propane to Natural Conversion Kit                       | 25 thru 6   |
|          | 510-811-228 |   | 7           |

## Ultra Boiler - Series 1 & 2 Jacket Assembly Parts

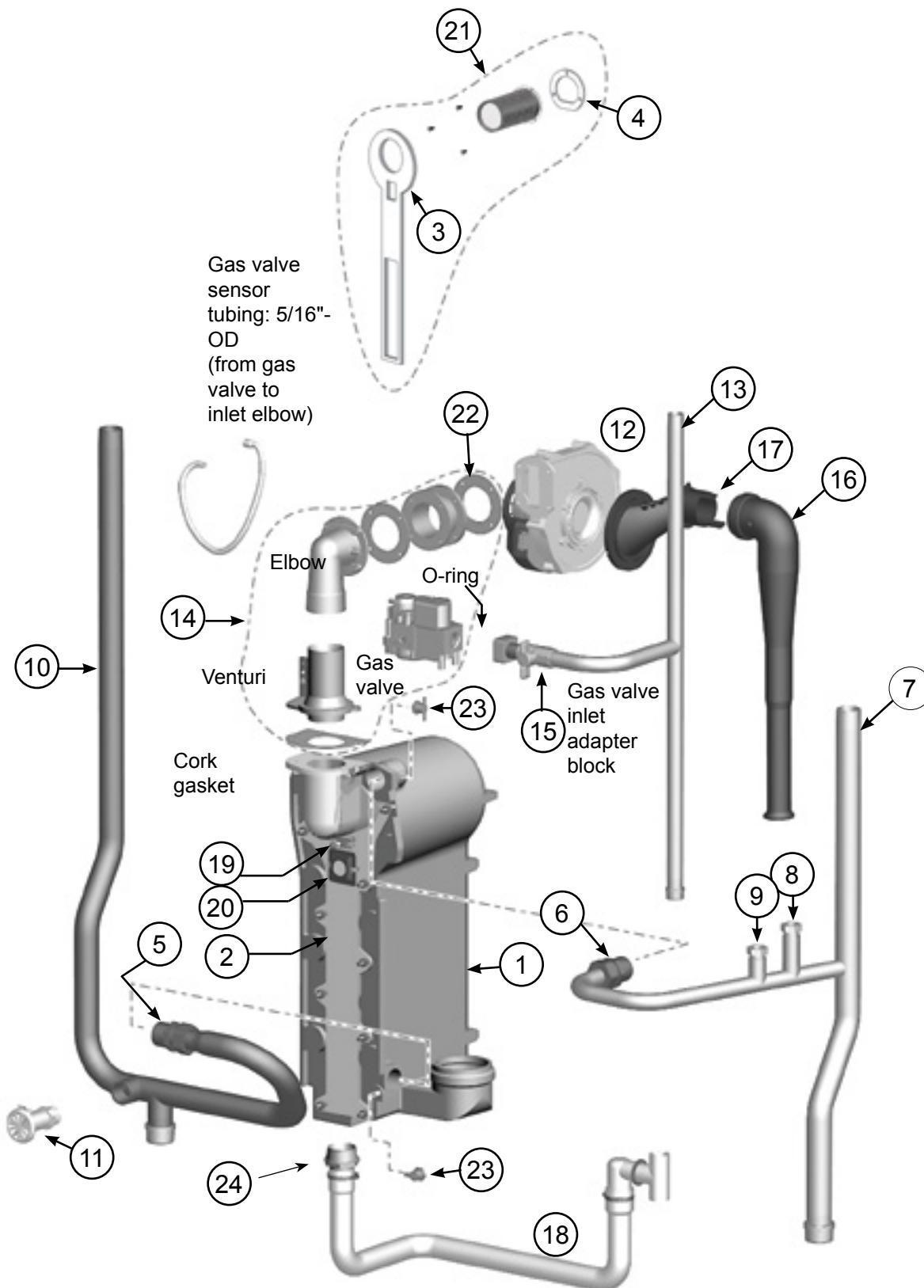


| Fig. No. | Part No.    | Description  | Model   |
|----------|-------------|--|---------|
| 1        | 383-500-135 | Jacket Front Door  |         |
| 2        | 383-500-065 | Boiler Leg Kit (4 Required)  |         |
| 3        | 383-500-320 | Knurled Head Screw For Jacket Front Door (2 Required)                  |         |
| N/S      | 383-500-180 | Knurled Head Screw Clip-On Receptacle (2 Required)                     |         |
| 4        | 383-500-055 | Flue Temperature Sensor Replacement Kit                                |         |
| N/S      | 590-318-011 | Flue Temperature Sensor Gasket   |         |
| 4        | 560-907-704 | Air Adapter Assembly (Includes: Adapter, Gasket, and Mounting Bracket) | 80/105  |
|          | 560-907-707 | Air Adapter Assembly (Includes: Adapter, Gasket, and Mounting Bracket) | 155     |
|          | 560-907-710 | Air Adapter Assembly (Includes: Adapter, Gasket, and Mounting Bracket) | 230-399 |

## Ultra Boiler - Series 1 & 2 Jacket Assembly Parts Continued

| Fig. No. | Part No.    | Description  | Model      |
|----------|-------------|--|------------|
| 5        | 560-907-771 | Flue Outlet Adapter - 3"   | 80/105     |
|          | 560-907-775 | Flue Pipe - 3"   |            |
|          | 460-005-796 | Bracket  |            |
|          | 562-500-001 | Clamp  |            |
|          | 560-907-771 | Flue Outlet Adapter - 3"   | 155        |
|          | 560-907-772 | Flue Pipe - 3"   |            |
|          | 460-005-797 | Bracket  |            |
|          | 562-500-002 | Clamp  |            |
|          | 560-907-773 | Flue Outlet Adapter - 4"   | 230-399    |
|          | 560-907-774 | Flue Pipe - 4"   |            |
|          | 460-005-798 | Bracket  |            |
|          | 562-500-003 | Clamp  |            |
| 6        | 383-500-165 | Top Cover, Front   |            |
| 7        | 595-000-006 | Top Cover, Rear  | 310        |
| 8        | 383-500-175 | Electrical Cabinet Door  |            |
| N/S      | 383-500-133 | Door Gasket Replacement Kit  |            |
|          | 383-500-610 | Door Gasket Replacement Kit - (Series-2)                           |            |
|          | 383-500-245 | 120v Electrical Socket   |            |
|          | 592-800-022 | 3" Blue Intake And Vent Gasket For Top of Fitting                  | 80,105,155 |
|          | 592-800-023 | 4" Blue Intake And Vent Gasket For Top of Fitting                  | 230, 310   |
|          | 590-318-007 | 70mm Blue Gasket For Bottom of Vent Fitting Into Aluminum Casting  | 80, 105    |
|          | 590-318-003 | 80mm Blue Gasket For Bottom of Vent Fitting Into Aluminum Casting  | 155        |
|          | 590-318-004 | 100mm Blue Gasket For Bottom of Vent Fitting Into Aluminum Casting | 230, 310   |
|          | 590-318-011 | Flue Sensor Grommet  | All        |
|          | 592-002-033 | Touch Up Paint - Black - Low E, 4.5oz Can                          | All        |

## Ultra Boiler - Series 1 & 2 Heat Exchanger / Piping - Ultra-80/105



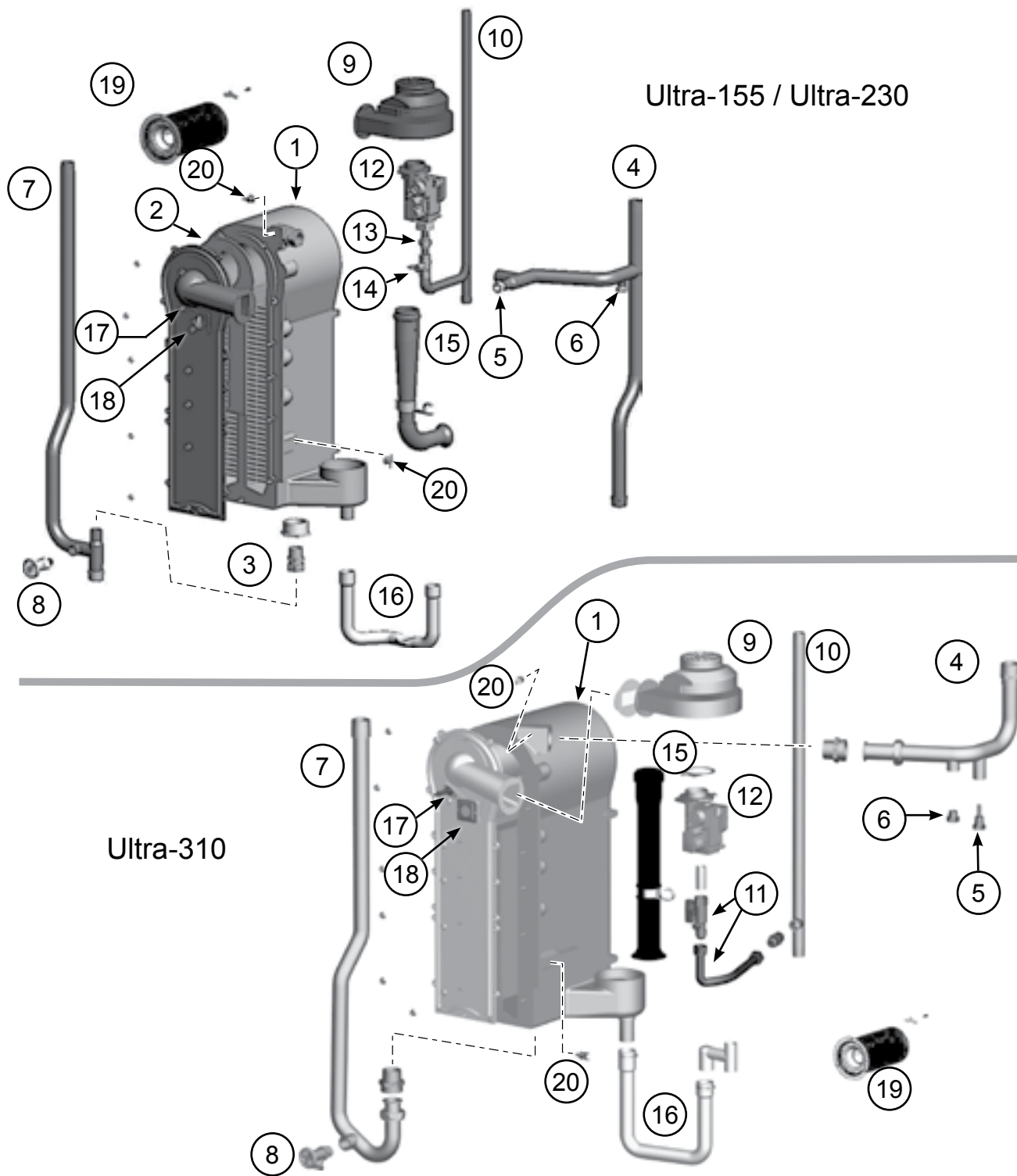
|     |             |                                    |     |
|-----|-------------|------------------------------------|-----|
| N/S | 383-600-009 | Gas Valve O-Rings - Package Of Ten | All |
|-----|-------------|------------------------------------|-----|

## Ultra Boiler - Series 1 & 2

### Heat Exchanger / Piping Parts - Ultra-80/105

| Fig. No. | Part No.                                  | Description  | Boiler Model        |
|----------|---|--|---------------------|
| 1        | 383-500-670<br>383-500-671<br>383-500-672 | Heat Exchanger Replacement Kit (Includes: Heat Exchanger, Cover Plate, Burner, Electrode, Water Sensors, Compression Fittings, Condensate Fitting, Gaskets and Hardware) | 80NG<br>80LP<br>105 |
| 2        | 383-501-022                               | Cover Plate Replacement Kit (Includes: Cover Plate, Cover Plate Gasket, Burner Gasket and Hardware)  | 80, 105             |
| 3        | 591-200-000                               | Cover Plate Gasket/Insulation  | 80, 105             |
| 4        | 590-300-000                               | Burner Gasket  | 80, 105             |
| 5        | 383-500-260                               | Water Compression Fitting, 28mm Return   | 80, 105             |
| 6        | 564-100-002                               | Water Compression Fitting, 22mm Supply   | 80, 105             |
| 7        | 383-501-036                               | Water Supply Piping Assembly (Includes: Pipe, Temperature Well, Check Valve, Cap (Assembled) and Compression Fitting)  | 80, 105             |
| 8        | 383-500-270                               | ½" N.P.T. Well for Temperature Gauge   | ALL                 |
| 9        | 383-500-275                               | Pressure/Temperature Gauge Check Valve   | ALL                 |
| 10       | 383-501-037                               | Return Water Pipe Assembly (Includes: Pipe, Drain Valve, Cap (Assembled) and Compression Fitting)  | 80, 105             |
| 11       | 511-246-392                               | Boiler Drain Valve, ¾" N.P.T.  | ALL                 |
| 12       | 383-501-027                               | Blower Assembly Kit (Includes: Blower, Gasket and Hardware)  | 80, 105             |
| 13       | 383-501-038                               | Gas Pipe Assembly (Includes: Gas pipe, Shut-Off Valve, 1½" Nipple, Adapter Block, O-ring and Hardware)   | 80, 105             |
| N/S      | 563-910-031                               | Gas Valve Block (Includes Block, O-ring, and Screws)   | All                 |
| 14       | 383-501-029                               | Gas Valve/Venturi Kit (Includes: Gas valve, Venturi, 90° Elbow, Gaskets, and Hardware (Assembled)) (For LP boilers, Make Sure To Reinstall The Existing Propane Orifice) | 80                  |
|          | 383-501-030                               | Gas Valve/Venturi Kit (Includes: Gas valve, Venturi, 90° Elbow, Gaskets, and Hardware (Assembled)) (For LP boilers, Make Sure To Reinstall The Existing Propane Orifice) | 105                 |
| 15       | Obtain Locally                            | Manual Gas Valve, ½" N.P.T.  | 80, 105             |
| 16       | 383-501-026                               | Air Silencer Kit (Includes: Air Silencer and Gasket)   | 80, 105             |
| 17       | 383-501-025                               | Air Silencer Adapter Kit (Includes: Air Silencer Adapter and Hardware)   | 80, 105             |
| 18       | 383-501-031                               | Condensate Trap Kit (Includes: Condensate Trap, Hose Clamps, PVC Fittings and Gasket)  | 80, 105             |
| 19       | 383-500-045                               | Ignition Electrode Kit (Includes: Ignition Electrode, Suppressor, Gasket and Hardware)   | ALL                 |
| N/S      | 511-330-253                               | Igniter Gasket   | All                 |
|          | 383-500-050                               | Ignition Cable Kit (Includes: Ignition Cable, Suppressor and Wire Tie)   | ALL                 |
| 20       | 383-500-020                               | Inspection Glass Kit (Includes: Bracket, Glass, Gasket and Hardware)   | ALL                 |
| 21       | 383-501-032<br>383-501-033<br>383-501-034 | Burner Replacement Kit (Includes: Burner, Gaskets and Hardware)  | 80NG<br>80LP<br>105 |
| N/S      | 383-900-090                               | Burner Insert Repair Kit (Includes Drill, Tap, Inserts, Screws, Instructions)  | All                 |
| 22       | 590-300-003                               | Gasket Rubber, Blower  | 80, 105             |
| 23       | 383-500-300                               | Return/Supply Sensor Kit-- (1) Sensor  | 80, 105             |
| N/S      | 590-317-310                               | Cork Gasket (Goes Between Gas Valve Venturi and Burner Inlet)  | ALL                 |
|          | 560-340-598                               | Cover Plate Studs, M6, 1 Pitch   | ALL                 |
|          | 561-928-449                               | Cover Plate Nuts, M6, 1 Pitch  | ALL                 |
| 24       | 561-200-000                               | Condensate Fitting   | 80/105              |

Ultra Boiler - Series 1 & 2  
Heat Exchanger / Piping  
Ultra-155 / 230 / 310





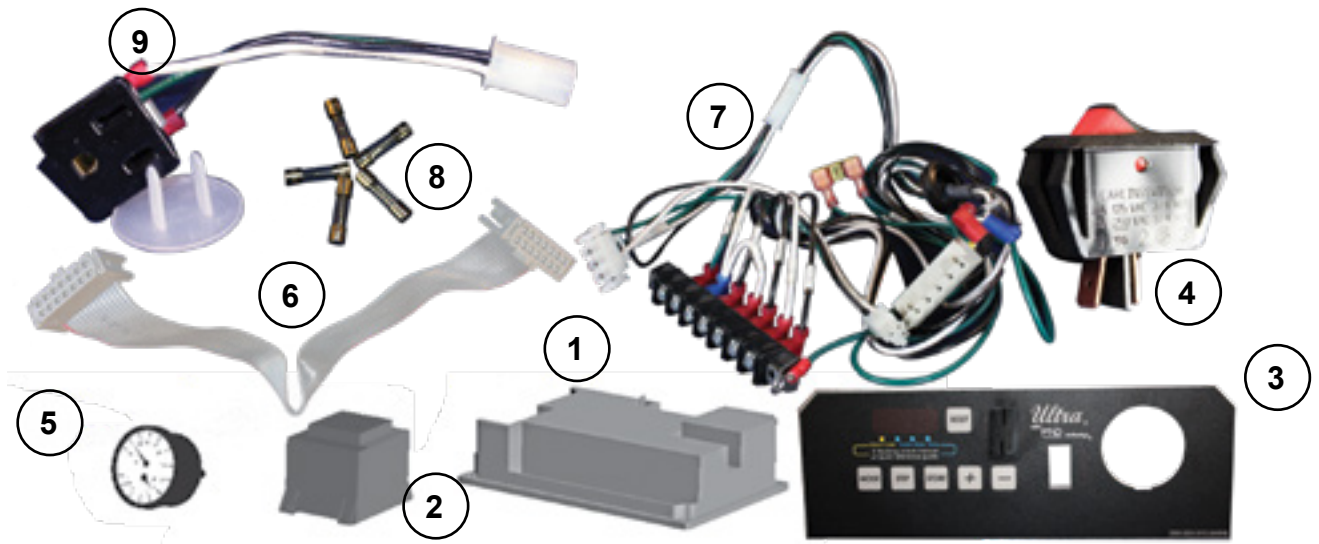
**Ultra Boiler - Series 1 & 2**  
**Heat Exchanger / Piping Parts**  
**Ultra-155 / 230 / 310**

| Fig. No. | Part No.    | Description  | Model         |
|----------|-------------|--|---------------|
| 1        | 383-500-673 | Heat Exchanger Replacement Kit (Includes: Heat Exchanger, Cover Plate, Burner, Electrode, Water Sensors, Compression Fittings, Condensate Fitting, Gaskets and Hardware) | 155           |
|          | 383-500-674 |  | 230           |
|          | 383-500-675 |  | 310           |
| N/S      | 383-500-395 | Cover Plate Replacement Kit (Includes: Cover Plate, Cover Plate Gasket, Burner Gasket and Hardware)  | 155, 230, 310 |
| 2        | 383-500-250 | Cover Plate Insulation/Burner Gasket   | 155, 230, 310 |
| N/S      | 383-500-255 | Cover Plate Gasket   | 155, 230, 310 |
| 3        | 383-500-260 | Water Compression Fitting, 28mm Supply/Return  | 155, 230      |
| 4        | 383-500-265 | Water Supply Piping Assembly (Includes: Pipe, Temperature Well, Check Valve, Cap (Assembled) and Compression Fitting)  | 155, 230      |
|          | 383-500-380 | Water Supply Piping Assembly (Includes: Pipe, Temperature Well, Check Valve, Cap (Assembled) and Compression Fitting)  | 310           |
| 5        | 383-500-270 | ½" N.P.T. Well for Temperature Gauge   | All           |
| 6        | 383-500-275 | Pressure/Temperature Gauge Check Valve   | All           |
| N/S      | 383-500-280 | Return Water Bushing, 1¼"BSP x 1"BSP (Not Used On Ultra 310)   | 155, 230      |
| 7        | 383-500-285 | Return Water Pipe Assembly (Includes: Pipe, Drain Valve, Cap (Assembled) and Compression Fitting)  | 155, 230      |
|          | 383-500-385 | Return Water Pipe Assembly (Includes: Pipe, Drain Valve, Cap (Assembled) and Compression Fitting)  | 310           |
| 8        | 511-246-392 | Boiler Drain Valve ¾" N.P.T.   | All           |
| 9        | 383-500-035 | Blower Assembly Kit (Includes: Blower, Gasket And Hardware)  | 155           |
|          | 383-500-040 | Blower Assembly Kit (Includes: Blower, Gasket, Molex Adapter and Hardware)   | 230           |
|          | 383-500-360 | Blower Assembly Kit (Includes: Blower, Gasket And Hardware)  | 310           |
| 10       | 383-500-290 | Gas Pipe Assembly (Includes: Gas Pipe and Shut-off Valve)  | 155, 230      |
|          | 560-907-679 | Gas Pipe   | 310           |
| 11       | 560-900-016 | Flexible Gas Line Section and Shut-off Valve   | 310           |
| N/S      | 563-910-031 | Gas Valve Inlet Block (Includes Block, O-ring, and Screws)   | All           |
|          | 383-600-009 | Gas Valve - O-Rings (Package Of Ten)   | All           |
| 12       | 383-500-025 | Gas Valve/Venture Kit (Includes: Gas Valve/Venturi Assembly, and Hardware) (For LP Boilers, Make Sure To Reinstall The Existing Propane Orifice)                         | 155           |
|          | 383-500-030 |  | 230           |
|          | 383-500-390 |  | 310           |
| 13       |             | Ground Joint Union, ½" N.P.T.  | 155, 230      |
| 14       |             | Manual Gas Valve, ½" N.P.T.  | 155, 230      |
| 15       | 383-500-295 | Air Silencer Kit (Includes: Air Silencer and Gasket)   | 155, 230      |
|          | 383-500-355 |  | 310           |
| 16       | 383-500-060 | Condensate Trap Kit (Includes: Condensate Trap, Hose Claps, PVC Fittings and Gasket)   | 155           |
|          | 383-500-060 |  | 230           |
|          | 383-500-365 |  | 310           |
| 17       | 383-500-045 | Ignition Electrode Kit (Includes: Ignition Electrode, Suppressor, Gasket and Hardware)   | All           |

**Ultra Boiler - Series 1 & 2**  
**Heat Exchanger / Piping Parts Continued**  
**Ultra 155 / 230 / 310**

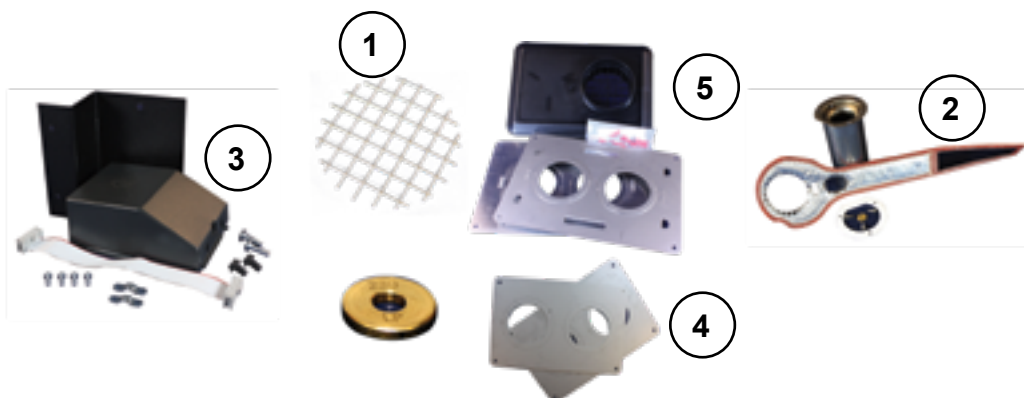
| Fig. No. | Part No.    | Description  | Model       |
|----------|-------------|--|-------------|
| N/S      | 383-500-050 | Ignition Cable Kit (Includes Ignition Cable, Suppressor, and Wire Tie)                               | All         |
| 18       | 383-500-020 | Inspection Glass Kit (Includes Glass, Bracket, Gasket, and Hardware)                                 | All         |
| 19       | 383-500-085 | Burner Replacement Kit (Includes Burner, Gasket, and Hardware), Series 1 & 2, Natural Gas or Propane | 155         |
|          | 383-500-090 |  | 230         |
|          | 383-500-407 |  | 310         |
| N/S      | 383-900-090 | Burner Insert Repair Kit (Includes 6.9 MM Drill, Tap, Inserts, Screws, and Instructions)             | 155,230,310 |
|          | 383-500-660 | Burner Locking Plate Kit (Includes 3 screws, and 3 locking plates)                                   | 155,230,310 |
| 20       | 383-500-300 | Return/Supply Sensor (Includes 1 Sensor) ( 12 kohms)   | All         |
| N/S      | 562-248-755 | Square Cut Gasket For Ultra 310 Supply/Return Compression Fittings Garlock                           | All         |
|          | 561-326-828 | Fitting Double Nipple For Ultra 310 Supply/Return- 1½"   |             |
|          | 511-330-253 | Ignitor Gasket   | All         |
|          | 590-317-310 | Cork Gasket (Goes Between Gas Valve Venturi and Blower)  | All         |
|          | 590-318-006 | Gasket, Rubber (Goes Between Blower and Cover Plate)   | All         |
|          | 562-248-755 | Gasket, Garlock (Supply/Return Fitting)  | 310         |

## Ultra Boiler - Series 1 & 2 Control Parts



| Fig. No. | Part No.    | Description   | Model             |
|----------|-------------|---|-------------------|
| 1        | 383-500-190 | Ultra Control Module- MCBA  | 80 105<br>155 230 |
|          | 383-500-191 |   | 310               |
| 2        | 383-500-195 | Transformer, 120v/24v   |                   |
| 3        | 383-500-408 | Display Board Kit (Includes: Display, Bracket, Label, Off-Set and Ribbon Cable)           |                   |
| 4        | 383-500-205 | On/Off Power Switch   |                   |
| 5        | 383-500-210 | Pressure/Temperature Gauge Assembly (Includes: Temperature and Pressure Sensor)           |                   |
| 6        | 383-500-215 | Ribbon Cable, Control Module to Display Board   |                   |
| N/S      | 591-300-002 | Low Voltage Wire Harness Assembly - (Includes Wire Harness, Terminal Strip, and Resistor) | 80, 105           |
|          | 591-391-941 |   | 310               |
| 7        | 591-300-001 | High Voltage Wire Harness Assembly - (Includes Wire Harness)                              | 80, 105           |
|          | 383-500-230 |   | 155, 230,         |
|          | 591-391-940 |   | 310               |
| 8        | 383-500-235 | Control Model Fuses (F-1 Is 5-Amp, Fast-Blow (5 Fuses)                                    |                   |
|          | 383-500-240 | Control Model Fuses (F-3 Is 4-Amp, Slow-Blow (5 Fuses)                                    |                   |
| 9        | 383-500-245 | 120v, 3-Wires Receptacle  |                   |
| N/S      | 510-350-200 | Circulator Relay  | 310               |
|          | 591-391-927 | Gas Valve Plug  | 155, 230,<br>310  |
|          | 591-850-570 | Data Port Cover (Series 2 Only)   |                   |

## Ultra Boiler - Series 1 & 2 Miscellaneous Parts and Kits

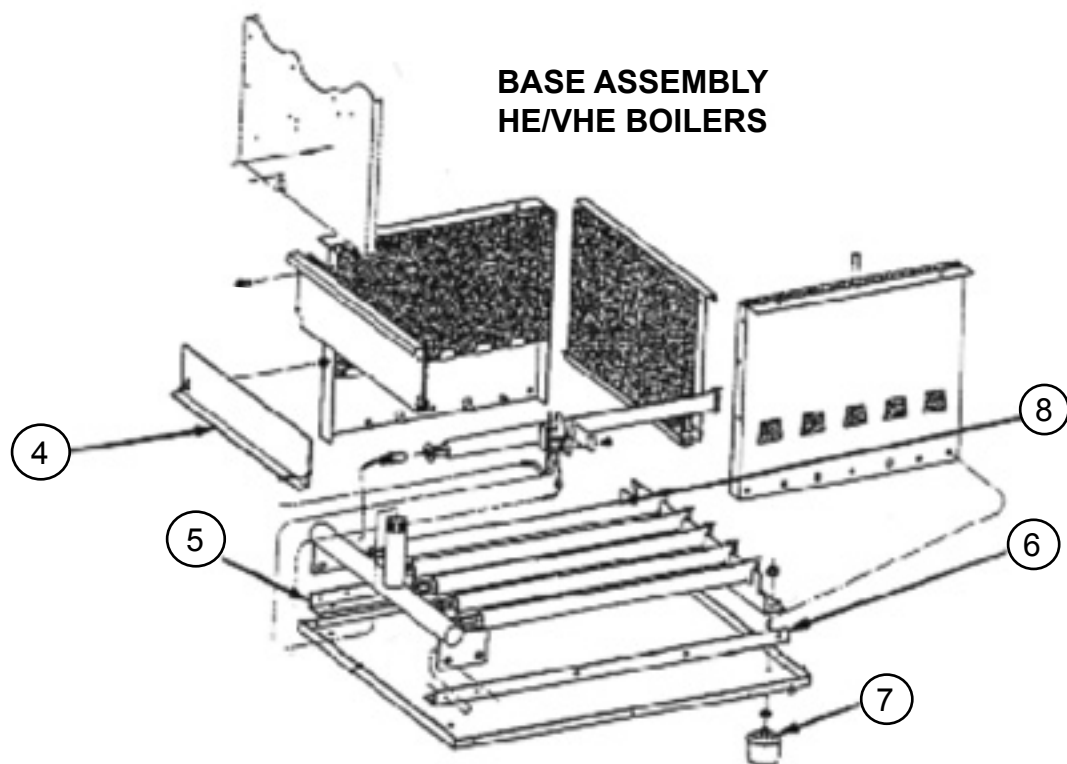
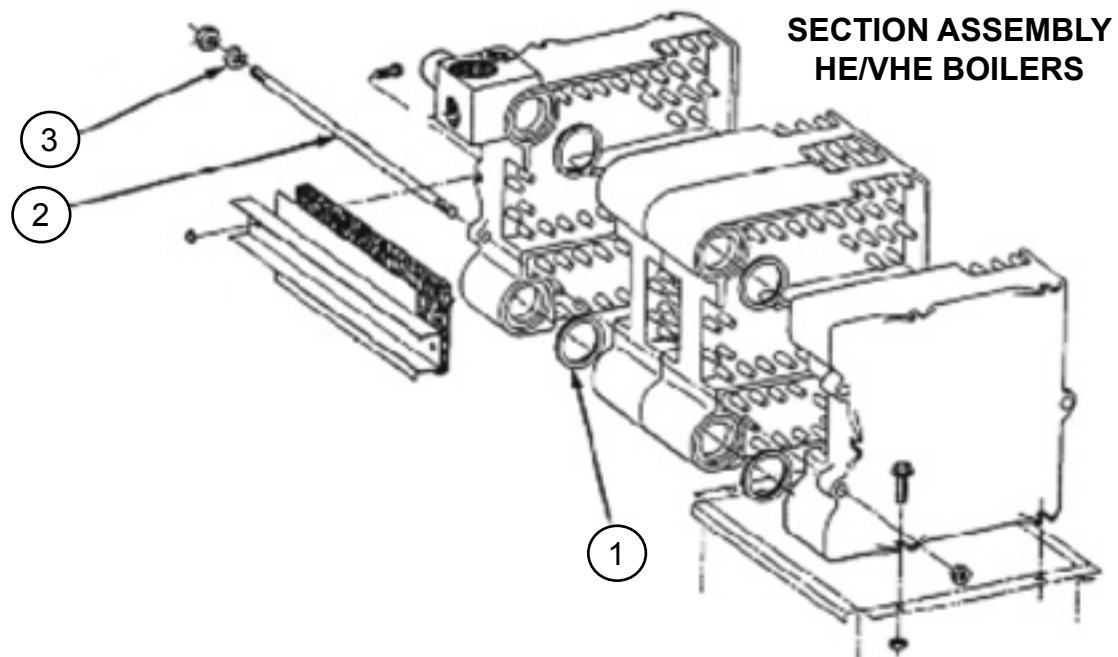


| Fig No | Part No.    | Description   | Model             |
|--------|-------------|---|-------------------|
| N/S    | 383-500-095 | Pressure Relief Valve, ASME 30 PSI, 3/4" N.P.T. Male  |                   |
|        | 511-405-113 | Boiler Circulator, Without Flanges  | 80, 105           |
|        | 511-405-133 | Boiler Circulator, Without Flanges  | 155,230,310       |
|        | 381-354-525 | Circulator Hardware Kit-Inlet, 1" (Includes: (1) Flange, (2) Nuts, and (1) Gasket)                      | 80 to 230         |
|        | 381-354-526 | Circulator Hardware Kit (Includes: Flange, Nuts, Screws and Gasket) 1 1/4"                              | 80 to 310         |
|        | 381-354-531 | Circulator Hardware Kit (Includes: Flange, Nuts, Screws and Gasket) 1 1/2"                              | 310               |
| 1      | 383-500-105 | Vent Termination Bird Screen, 3" Vent - 2 Required  | 80,105,155        |
|        | 383-500-110 | Vent Termination Bird Screen, 4" Vent - 2 Required  | 230,310 only      |
| 2      | 383-500-120 | Natural To Propane Conversion Kit (Orifice Bag Assembly)  | 230               |
|        | 383-501-020 | Natural To Propane Conversion Kit   | 80                |
| 3      | 383-500-080 | Alarm Control Kit - AM-3  | All               |
|        | 383-500-396 | Control Kit - AM-4 - Coverts 0-10 VDC Signal  |                   |
| N/S    | 383-500-125 | Outdoor Temperature Sensor  | All               |
| 4      | 383-500-100 | Vent/Air Termination Plate (2 Required For Each Boiler)   |                   |
| N/S    | 383-500-397 | Sidewall Termination Kit, 3"  |                   |
| 5      | 383-500-398 | Sidewall Termination Kit, 4"  |                   |
| N/S    | 383-501-020 | Natural To Propane Conversion Kit (Orifice Bag Assembly)  | 80                |
|        | 540-100-001 | Natural To Propane Conversion Kit (Orifice Bag Assembly)  | 105               |
|        | 383-500-115 | Natural To Propane Conversion Kit (Orifice Bag Assembly)  | 155               |
|        | 383-500-120 | Natural To Propane Conversion Kit (Orifice Bag Assembly)  | 230               |
|        | 383-500-016 | Natural To Propane Conversion Kit (Includes: Propane Burner and Orifice Bag Assembly With Instructions) | 310 Series 1 only |
|        | 540-202-833 | Natural To Propane Conversion Kit (Orifice Bag Assembly)  | 310 Series 2 only |
|        | 383-501-021 | Propane To Natural Conversion Kit   | 80                |

## Ultra Boiler - Series 1 & 2 Miscellaneous Parts and Kits Continued

| Fig No           | Part No.    | Description   | Model        |
|------------------|-------------|---|--------------|
|                  | 383-500-605 | Maintenance Kit (Includes: Igniter, Igniter Gasket, Cover Plate Gasket, Cover Plate Insulation, Burner Gasket and Venturi Gasket) | 80 & 105     |
|                  | 383-500-620 | Maintenance Kit (Includes: Igniter, Igniter Gasket, Cover Plate Gasket, Cover Plate Insulation, Burner Gasket and Venturi Gasket) | 155 - 399    |
|                  | 591-706-200 | Heat Exchanger Cleaning Tool  | All          |
|                  | 383-500-631 | Condensate Neutralizer Kit  | All          |
|                  | 560-340-598 | Cover Plate Studs, M6, 1 Pitch  | All          |
|                  | 561-928-449 | Cover Plate Nuts, M6, 1 Pitch   | All          |
|                  | 383-500-327 | High Altitude Kit (Includes 1 Orifice of Each Boiler Size) <b>L/P ONLY</b>  | All          |
|                  | 383-500-021 | Time Delay Kit (Includes Electrical Box, Relays, and Instructions)  | All          |
|                  | 383-600-009 | Gas Valve O-Rings   | All          |
|                  | 383-500-345 | Heat Exchanger Plug Kit - (Includes 14 Plugs, 12MM Allen Wrench, and Instructions) <b>SERIES 1 ONLY</b>                           | 155/230 Only |
| <b>Manifolds</b> |             |   |              |
| N/S              | 383-500-649 | Easy Up Manifold -1 ¼"  | 80/105       |
|                  | 383-500-661 | Easy Up Manifold - 1 ½"   | 155-399      |

HE / HEII / VHE - Series 1 Through 3  
Section / Base Assembly



## HE / HEII / VHE - Series 1 Through 3 Section / Base Assembly Parts

**Parts not listed below are obsolete and no longer available. Parts listed below may become obsolete.**

**Call Customer Service for part availability.**

| Fig. No. | Part No.    | Description   | Series No. |
|----------|-------------|---|------------|
| 1        | 592-800-011 | 2" Square Cut Seal (Need 2 Per Joint)   | 1-3        |
| 2        | 560-234-500 | 7/16" X 14 Unc, Tie Rod Without Nut: (9" Long) (3 Per Boiler)   | 1-3        |
|          | 560-234-501 | 7/16" X 14 Unc, Tie Rod Without Nut: (12" Long) (3 Per Boiler)  | 1-3        |
|          | 560-234-502 | 7/16" X 14 Unc, Tie Rod Without Nut: (15" Long) (3 Per Boiler)  | 1-3        |
|          | 560-234-503 | 7/16" X 14 Unc, Tie Rod Without Nut: (18" Long) (3 Per Boiler)  | 1-3        |
| 3        | 562-248-684 | 7/16" Washer (1 Per Tie Rod)  | 1-3        |
| N/S      | 591-638-850 | Silicone Sealant For Cleanout Plate-RTV 700 or Equivalent: (10.3 oz.)<br>Base Side Panel (2 Per Boiler) | 1-3        |
| 4        | 450-030-644 | Base Access Panel: (HSI Only)- HE/VHE/HEII-3  | 3          |
|          | 450-030-645 | Base Access Panel: (HSI Only)- HE/VHE/HEII-4  | 3          |
|          | 450-030-646 | Base Access Panel: (HSI Only)- HE/VHE/HEII-5  | 3          |
|          | 450-030-647 | Base Access Panel: (HSI Only)- HE/VHE/HEII-6  | 3          |
| 5 & 6    | 450-030-971 | Base Pan Angle-Universal Fits Right Or Left   | 1-3        |
| 7        | 590-424-252 | Leg Assembly (Includes: Leg, Nuts and Washer)   | 1-3        |
| N/S      | 560-528-992 | Main Burner Orifice: (Natural Gas): 2.0mm-7/16" Hex-1/8" N.P.T  | 1-3        |
|          | 560-529-052 | Main Burner Orifice: (Propane Gas): 1.25mm-7/16" Hex-1/8" N.P.T   | 1-3        |
| 8        | 512-200-035 | Burner, Aluminized: (1.00" OD x15.00" Long)   | 1-3        |
|          | 512-200-045 | Burner, Aluminum with Pilot Bracket - (HE/VHE Cycle Pilot System Only)                                  | 1-3        |
| N/S      | 591-632-612 | Waterglass (4 oz Bottle)  | 1-3        |
|          | 591-602-914 | Boiler Cement (1 Can)=(1/2 Gallon)  | 1-3        |
|          | 591-638-851 | Silicone Sealant (RTV 700 or Equivalent) (3 oz)   | 1-3        |
|          | 592-002-030 | Touch Up Paint - Blue/Gray - Low E, 4.5oz Can   | 1-3        |

**Note: Number of burners for HE/VHE/HEII Boilers:**

**HE/VHE/HEII-3-(4 main burners),  
HE/VHE/HEII-4-(6 main burners),  
HE/VHE/HEII-5-(8 main burners),  
HE/VHE/HEII-6-(10 main burners).**

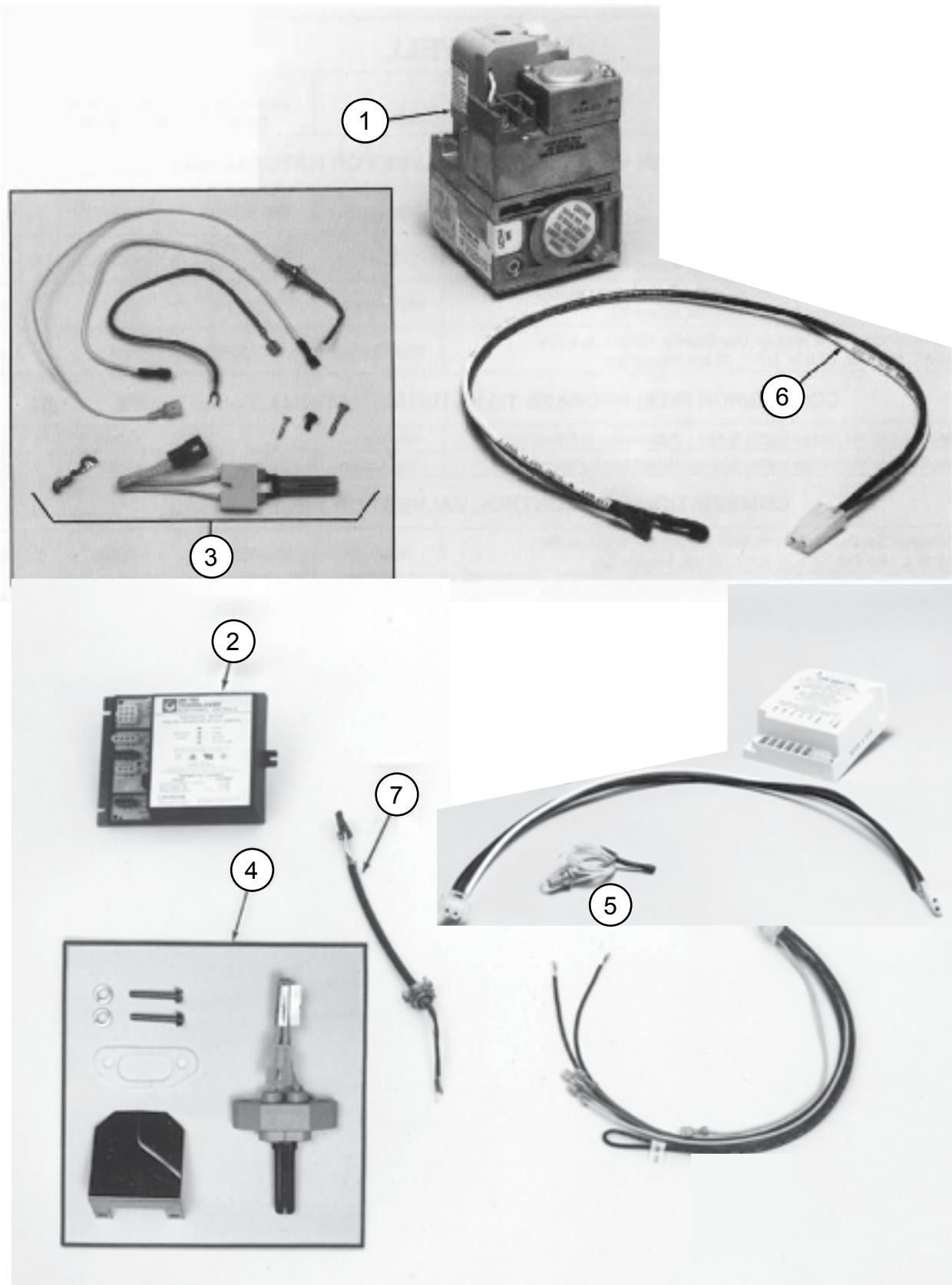
**For Cycle Pilot HE/VHE Boilers subtract one main burner, and add one pilot burner to each above.**

**Boiler Cement Quantities Required:**

**HEII-3-(1 Can),  
HEII-4-(2 Cans),  
HEII-5-(3 Cans),  
HEII-6-(4 Cans),**

**1 Can Equals 1/2 Gallon (Used For Base Front and Back Cross Ties on HEII)**

# HE / HEII / VHE - Series 1 Through 3 Hot Surface Ignition





## HE / HEII / VHE - Series 1 Through 3 Hot Surface Ignition Parts

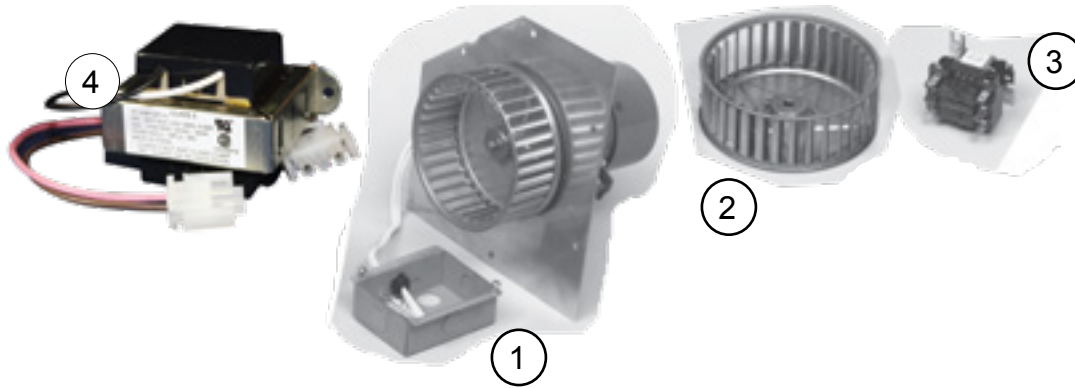
| Fig. No.   | Part No.    | Description   | Model      |
|--|-------------|---|------------|
| <b>Combination Gas Valve Control For Natural Gas</b>           |             |   |            |
| 1  | 510-811-655 | Combination Gas Control Valve Kit (Step Opening, 0.9" W.C. Low Fire To 3.5" W.C. High Fire, ½" x ½" N.P.T. Natural Gas)               | ALL        |
| <b>Combination Gas Valve Control For Propane Gas</b>           |             |   |            |
| 1  | 510-811-656 | Combination Gas Control Valve Kit (Step Opening, 3.0" W.C. Low Fire To 10.0" W.C. High Fire, ½" x ½" N.P.T. , Propane Gas)            | ALL        |
| <b>Gas Control Components For Natural Gas And Propane Gas</b>  |             |   |            |
| 2  | 510-811-502 | Combination Ignition-Sensing Control Module, 24 Volt, (Lock-Out After 3 Ignition Trials)  | HE/<br>VHE |
|  | 382-200-448 | Integrated Boiler Control Module, 24 Volt, (Lock-Out After 3 Ignition Trials) Instructions Included                                   | HE II      |
| 3  | 382-930-216 | Norton 201 to 201N Conversion Kit - Used Only With Honeywell & Fenwall Controls - (Igniter, Bracket, Sense Rod) Instructions Included | HE/<br>VHE |
| N/S  | 511-330-182 | Sapco Fame Sensor - Comes With Kit # 382-930-216 With Bracket and Lead Wire   | HE/<br>VHE |
|  | 511-330-184 | Norton 201N (Igniter only) - With Lead Wires and Connector Used With White Rodgers. Instructions Included                             | HE/<br>VHE |
| 4  | 511-330-148 | Igniter Replacement Kit - (Includes Igniter and Shield Used With United Technologies) - HE II Only                                    | HE II      |
| 5  | 511-330-192 | Main Fame Sensor, Used With White Rodgers Control # 50E47-871   | HE/<br>VHE |
| N/S  | 450-030-655 | Igniter Bracket, Boilers With - 201N Igniter (HSI ) only  | HE/<br>VHE |
|  | 450-030-653 | Igniter Bracket, Boilers With - 271N Igniter  | HE II      |
|  | 450-030-642 | Igniter Shield, Boilers With HSI Only   | ALL        |
| 6  | 591-391-819 | Wiring Harness - Module To Igniter - Gold Control Module Only   | HE II      |
| N/S  | 591-391-786 | Wiring Harness - Module To Controls Gold Control Module Only  | HE II      |
|  | 591-391-808 | Wiring Harness - Module To Igniter - White Rodgers Module Only  | HE/<br>VHE |
| 7  | 591-391-788 | Wiring Harness - Gold Control Module To Junction Box  | HE II      |
| N/S  | 591-391-784 | Wiring Harness - Gold Control Module to Inducer (4-Pin Molex Plug)  |            |
| <b>Conversion Kits: Natural to Propane, Propane to Natural</b> |             |   |            |
| N/S  | 510-811-480 | Conversion Kit – Natural Gas To Propane Gas (HSI only) - (Includes: Gas Valve, Orifices and Instructions)                             | ALL        |
|  | 510-811-485 | Conversion Kit – Propane Gas To Natural Gas (HSI only) - (Includes: Gas Valve, Orifices and Instructions)                             | ALL        |

## HE / HEII / VHE - Series 1 Through 3 Hot Surface Ignition Conversion Kits



| Fig. No.                                | Part No.    | Description   | Model      |
|---|-------------|---|------------|
| <b>Conversion Kits: Control Systems</b> |             |   |            |
| 1                                       | 382-200-451 | Conversion Kit – From Honeywell, Fenwall, White Rodgers HSI To Gold Control HSI - (Includes: Module, Wiring, Transformer, Igniter, Hardware and Instructions) <b>No Gas Valve</b>       | HE/<br>VHE |
| 2                                       | 382-200-449 | Complete Conversion Kit From Cycle Pilot System To Gold Control HSI ( <b>Natural Gas</b> ) - (Includes: Module, Gas Valve, Wiring, Hardware and Instructions) <b>Gas Valve Included</b> | HE/<br>VHE |
| N/S                                     | 382-200-450 | Complete Conversion Kit From Cycle Pilot System To Gold Control HSI ( <b>Propane Gas</b> ) - (Includes: Module, Gas Valve, Wiring, Hardware and Instructions)                           | HE/<br>VHE |
|   | 382-200-448 | Conversion Kit From Honeywell S9301A or Gold Control 1013 -100 To Gold Control 1013-200 - (Includes: Module, Wiring and Instructions)   | HE II      |

## HE / HEII / VHE - Series 1 Through 3 Blower Assembly Parts



| Fig. No.                     | Part No.    | Description   | Boiler Model               |
|------------------------------|-------------|---|----------------------------|
| 1                            | 510-312-312 | Blower Assembly (Includes: Mounting Plate, Hardware, Motor and Wheel) - All Boilers                                 | HE/HE-II                   |
| 2                            | 510-312-322 | Blower Wheel (Galvanized Steel, 5.75" Diameter, 5/16" Shaft)  | HE/HE II                   |
| 1                            | 510-312-317 | Blower Assembly (Includes: Mounting Plate, Hardware, Motor and Wheel) - All Boilers                                 | VHE                        |
| 2                            | 510-312-279 | Blower Wheel (Stainless Steel, 5.72" Diameter, 5/16" Shaft)   | VHE                        |
| N/S                          | 699-999-022 | Starter/Termination Kit (Includes: Starter Tee, Termination Coupling, Sealant and Instructions) (Saf-T- Vent Only). | HE/VHE                     |
|                              | 699-999-036 | Starter/Termination Kit (Includes: Starter Tee, Termination Coupling, Sealant and Instructions) (Z- Vent Only).     | HE/VHE                     |
|                              | 699-999-024 | Starter Kit (Includes: Starter Tee, Sealant and Instructions) (Saf-T- Vent Only).                                   | HE II                      |
|                              | 699-999-034 | Starter Kit (Includes: Starter Tee, Sealant and Instructions) (Z- Vent Only).                                       | HE II                      |
| <b>Electrical Components</b> |             |   |                            |
| N/S                          | 510-312-166 | Combination Transformer-Relay Receptacle, 120/24 Volt, 40 VA  | HE/VHE<br>HE/VHE<br>HE/VHE |
| 3                            | 510-350-223 | Plug In Relay, DPST, 24 Volt Holding Coil   | HE/VHE                     |
| N/S                          | 510-312-167 | Complete Transformer and Relay  | HE/VHE                     |
| 4                            | 511-842-370 | 24 Volt Step Down Transformer, 40 VA  | HE II                      |
| N/S                          | 512-050-230 | Fuse Thermal Roll-Out, 228°C  | ALL                        |
|                              | 592-900-015 | Oil Lubricant - Anderol 465 - 3oz.  | All                        |

**Note: Original draft inducer motor was Fasco # 7121-5750, Currently using Fasco # 7162-1335.**

## HE / HEII / VHE - Series 1 Through 3 Water Trim Parts



| Fig. No.                                | Part No.    | Description   |
|---|-------------|---|
| 1                                       | 510-312-015 | High Limit Temperature Control (SPST, Automatic Recycle, 100-240°F Range, 5-30° Range Adjustable Differential, Compatible With Existing Well) With Instructions |
| 2                                       | 383-500-095 | ASME Pressure Relief Valve, ¾" N.P.T., Male Inlet, Side Outlet, Brass, Set To Relieve At 30 PSIG  |
| 3                                       | 510-218-099 | Combination Pressure/Temperature Gauge, 3.12" Dial, 0-170 PSIG, 60-320°F Short Shank, ¼" N.P.T. Back Connection   |
| 4                                       | 511-210-423 | Drain Valve, ¾" N.P.T., 1 ½" Shank  |
| 5                                       | 511-405-113 | Circulator, 1/25 HP, 115/60/1 Motor, 3250 RPM, .70 Amps   |
|   | 511-405-115 | Circulator, 1/12 HP, 115/60/1 Motor, 1725 RPM, 1.75 Amps  |
| 6                                       | 590-317-543 | Circulator Gasket, For Taco 007 and Un 110 Circulators – (2- Required Per Unit)   |
|   | 590-317-535 | Circulator Gasket, For B&G LR-20 Circulators – (2- Required Per Unit)   |
|   | 590-317-542 | Circulator Gasket, for B&G 100 Series Circulators – (2- Required Per Unit)  |
| 7                                       | 381-354-525 | 1" Universal Circulator Hardware Kit (Includes: Screws, Nuts, (1) Flange and (1) Gasket)  |
| 7                                       | 381-354-526 | 1¼" Universal Circulator Hardware Kit (Includes: Screws, Nuts, (1) Flange and (1) Gasket)   |
| <b>ADDITIONAL WATER TRIM COMPONENTS</b> |             |   |
| 8                                       | 510-148-567 | Automatic Air Vent, Float Type, ⅛" N.P.T.   |
| N/S                                     | 561-013-849 | Reducing Coupling, ½" X ⅛" N.P.T. For Taco Air Vent   |

HE / HEII / VHE - Series 1 Through 3  
Water Trim Parts Continued

| Fig. No. | Part No.    | Description   |
|----------|-------------|---|
| 9        | 510-632-088 | Fill-Trol Diaphragm Expansion Tank With O-ring – (Tank Only)  |
|          | 510-632-089 | Fill-Trol Diaphragm Expansion Tank With O-ring – (Tank Only)  |
| 10       | 511-210-434 | Fill Valve Angle Style-90 With Built-in Strainer, Pressure Reducer, Check Valve Requires User Provided Shut-Off Valve |

## HE / HEII / VHE - Series 1 Through 3 Pressure Switches



| Fig. No. | Part No.    | Description   | Model  |
|----------|-------------|---|--|
| 1        | 511-624-541 | Pressure Differential Switch, SPDT, 1.05" Setting, 0 – 4000' Ft Elevation     | HE-Series 1 & 2-(ALL)  |
|          | 511-624-545 | Pressure Differential Switch, SPDT, 0.95" Setting, 4000 – 8000' Ft Elevation  | HE-Series 2-(ALL)  |
|          | 511-624-544 | Pressure Differential Switch, SPDT, 0.85" Setting, 8000 – 12000' Ft Elevation | HE-Series 2-(ALL)  |
|          | 511-624-510 | Pressure Differential Switch, SPDT, 1.00" Setting, 0 – 4000' Ft Elevation     | HE-Series 3, HE-II – Sizes (3,4,5)                               |
|          | 511-624-511 | Pressure Differential Switch, SPDT, 0.90" Setting, 4000 – 8000' Ft Elevation  | HE-Series 3, HE-II – Sizes (3,4,5)                               |
|          | 511-624-512 | Pressure Differential Switch, SPDT, 0.80" Setting, 8000 – 12000' Ft Elevation | HE-Series 3, HE-II – Sizes (3,4,5)                               |
|          | 511-624-511 | Pressure Differential Switch, SPDT, 0.90" Setting, 0 - 4000' Ft Elevation     | HE-Series 3, HE-II – Size (6)                                    |
|          | 511-624-512 | Pressure Differential Switch, SPDT, 0.80" Setting, 4000 - 8000' Ft Elevation  | HE-Series 3, HE-II – Size (6)                                    |
|          | 511-624-513 | Pressure Differential Switch, SPDT, 0.70" Setting, 8000 – 12000' Ft Elevation | HE-Series 3, HE-II – Size (6)                                    |
|          | 511-624-549 | Pressure Differential Switch, SPDT, 1.47" Setting, 0 - 4000' Ft Elevation     | VHE-Series 1 (ALL)   |
|          | 511-624-548 | Pressure Differential Switch, SPDT, 1.15" Setting, 0 - 4000' Ft Elevation     | VHE-Series 2 (ALL)   |
|          | 511-624-541 | Pressure Differential Switch, SPDT, 1.05" Setting, 4000 - 8000' Ft Elevation  | VHE-Series 2 (ALL)   |
|          | 511-624-545 | Pressure Differential Switch, SPDT, 0.95" Setting, 8000 - 12000' Ft Elevation | VHE-Series 2 (ALL)   |
|          | 511-624-514 | Pressure Differential Switch, SPDT, 1.26" Setting, 0 - 4000' Ft Elevation     | VHE-Series 3 (ALL)   |
|          | 511-624-548 | Pressure Differential Switch, SPDT, 1.15" Setting, 4000 - 8000' Ft Elevation  | VHE-Series 3 (ALL)   |
|          | 511-624-541 | Pressure Differential Switch, SPDT, 1.05" Setting, 8000 - 12000' Ft Elevation | VHE-Series 3 (ALL)   |
|          | 2           | 590-317-630   | Pressure Differential Switch Tubing, 1/8" I.D. X 12" Long, White |
| 3        | 590-317-631 | Pressure Differential Switch Tubing, 1/8" I.D. X 12" Long, Red                | HE/VHE/HE-II   |

# NOTES

## EG - Series 2 Through 4 Water Trim Parts



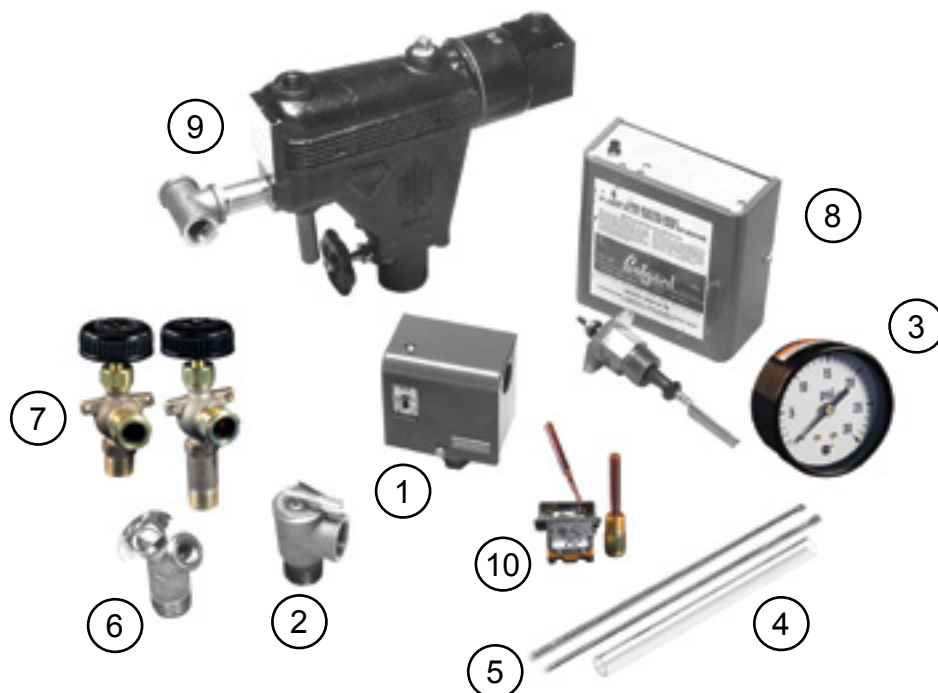
| Fig. No.  | Part No.    | Description   |
|---|-------------|---|
| <b>Temperature Controls For All EG Water Boilers Without Tankless Heaters<br/>(Except EG-75 Standing Pilot)</b> |             |   |
| 1   | 510-312-209 | High Limit Temperature Control SPST (Automatic Recycle, 140-240°F 10°F Fixed Subtractive Differential With ¼" N.P.T. Well)  |
| <b>Temperature Controls For EG-75 Standing Pilot</b>  |             |   |
| 2   | 510-312-150 | Combination Operating Limit (140-240°F Range) and Fixed High Limit (240°F Temperature Control, Auto Recycle, DPST, With ¼" Well. Fixed High Limit, Furnished With Wire Leads For Connection To Thermocouple Spade Terminal Block)   |
| <b>Temperature Controls For All EG Water Boilers With Tankless Heaters</b>                                      |             |   |
| N/S   | 510-312-249 | Combination High Limit / Low Limit / Circulator Control with Transformer<br>(High Limit: SPST Automatic Recycle, 140-240°F Range, 10°F Subtractive Differential)<br>(Low Limit / Circulator Control: SPDT, Automatic Recycle, 100-200°F Range, 10-35°F Adjustable Differential) |



## EG - Series 2 Through 4 Water Trim Parts Continued

| Fig. No.                             | Part No.    | Description   |
|--------------------------------------|-------------|---|
| <b>Trim For All EG Water Boilers</b> |             |   |
| 3                                    | 383-600-091 | ASME Pressure Relief Valve (Set To Relieve At 30 PSIG, ¾" N.P.T., Female Inlet) All Size EG's                     |
| 4                                    | 510-218-097 | Combination Pressure-Temperature Gauge (2½" dial, 0-75 PSIG, Long Shank, ¼" N.P.T. Back Connection) All Size EG's |
| 5                                    | 511-210-423 | Drain Valve, ¾" N.P.T., 1½" Shank   |
| N/S                                  | 510-148-567 | Automatic Air Vent, Float Type, ⅛" N.P.T.   |
|                                      | 590-921-904 | Tankless Heater For EG 35-45 Water Boiler (Includes: Heater, Gasket, Nuts and Studs) EG-30 Thru 45                |
|                                      | 590-921-905 | Tankless Heater For EG 50-55 Water Boiler (Includes: Heater, Gasket, Nuts and Studs) EG-50 & 55                   |
|                                      | 590-921-901 | Tankless Heater For EG 65-75 Water Boiler (Includes: Heater, Gasket, Nuts and Studs) EG- 65 & 75                  |
|                                      | 592-300-027 | Immersion Well ¾" N.P.T. X 6.25" In Length  |
|                                      | 560-340-577 | Stud 3/8-16 NC-2A X 1.12" Long With 3/8-16 NC Brass Nut (6 Required)  |
|                                      | 590-317-495 | Round Tankless Heater Gasket  |

## EG - Series 2 Through 4 Steam Trim Parts

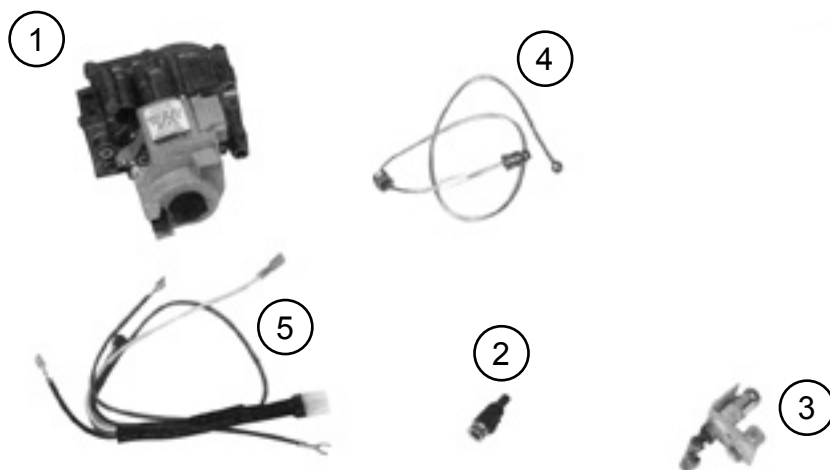


| Fig. No.   | Part No.    | Description   |
|--|-------------|---|
| 1  | 510-312-135 | High Pressure Limit Control (SPST, Automatic Recycle, 0-15 PSIG Range, 1-5 PSIG Differential, 1/4" N.P.T. Bottom Connection)  |
| 2  | 383-600-106 | ASME Steam Relief Valve (Set To Relieve At 15 PSIG, 3/4" N.P.T. Male Inlet) 375 lbs Per Hour Rating   |
| 3  | 510-218-045 | Steam Pressure Gauge (0-3- PSIG, 2 1/2" Dial, 1/4" N.P.T. Male Inlet)   |
| 4  | 383-600-000 | Water Gauge Glass Kit (5/8" X 7 3/8" With Gaskets and Brass Washers)  |
| 5  | 563-334-580 | Water Gauge Glass Guard (3/16" X 9 3/8" (2 Required)  |
| 6  | 511-210-423 | Drain Valve, 3/4" N.P.T., 1 1/2" Shank  |
| N/S  | 590-921-903 | Tankless Heater Steam Boiler (Includes: Heater, Gasket, Nuts and Studs) For EG-35 thru EG-75  |
| <b>Water Gauge Glass Cocks For Electrode Type Low Water Cut-Off</b>  |             |   |
| 7  | 510-218-145 | Water Gauge Glass Cocks, 1/2" N.P.T. Male Inlet (Set of 2)  |
| <b>Water Gauge Glass Cocks For # 67 Float Type Low Water Cut-Off</b> |             |   |
| 7  | 510-218-135 | Water Gauge Glass Cocks, 1/2" N.P.T. Male Inlet (Set of 2)  |
| <b>Electrode Type Low Water Cut-Off Components</b>                   |             |   |
| 8  | 510-811-403 | Low Water Cut-Off, Electrode Type, SPDT, 24 Volt, 3/4" Male N.P.T, With Instructions, Adapter, and Bushing  |
| <b>Float Type Low Water Cut-Off Components For EG Steam Boilers</b>  |             |   |
| 9  | 511-114-494 | Float Type Low Water Cut-Off (SPDT, Automatic Recycle, 15 PSIG Rated, 24 or 120 Volt Contact Rating, 1/2" N.P.T. With Quick Hook-up Fittings) For EG Steam Except Millivolt |

EG - Series 2 Through 4  
Steam Trim Parts Continued

| Fig. No.   | Part No.    | Description   |
|--|-------------|---|
| <b>Tankless Heater Operating Temperature Control</b>                   |             |   |
| 10   | 510-312-250 | Operating Temperature Control (SPST, Automatic Recycle, 140-250°F Range, With ¾" N.P.T. Control Well, 10° Fixed Subtractive Differential) |
| <b>Probe Type Low Water Cut-off For EG Steam Boilers Series 4 Only</b> |             |   |
| 8  | 511-114-515 | Low Water Cut-Off, SPDT, ¾" Male Electrode Type, 24 Volt  |
|  | 511-114-516 | Low Water Cut-Off, SPDT, ¾" Male Electrode Type, 24 Volt  |
| <b>Additional Parts</b>  |             |   |
|  | 560-340-577 | Tankless Stud and Nut   |
| N/S  | 590-317-550 | Rectangular Heater Gasket   |
|  | 560-640-696 | 90° Syphon, ¼" Brass Pipe   |

## EG - Series 2 Through 4 Standing Pilot Parts

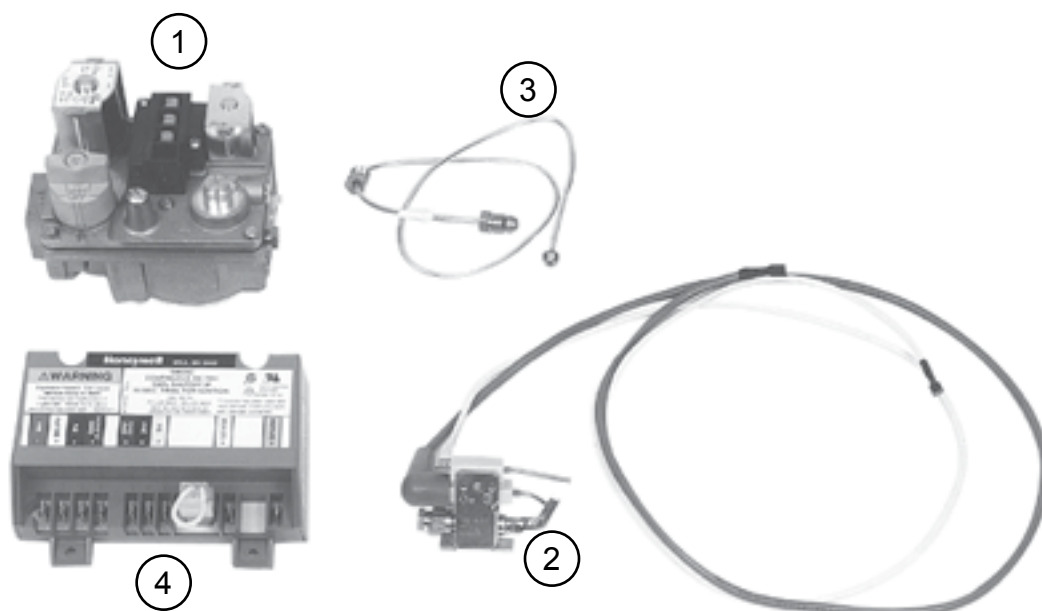


| Fig. No.                               | Part No.    | Description  | EG Boiler Size |    |    |    |    |    |    |    |
|--|-------------|--|----------------|----|----|----|----|----|----|----|
|  |             |  | 30             | 35 | 40 | 45 | 50 | 55 | 65 | 75 |
| <b>Components For Natural Gas Only</b> |             |  |                |    |    |    |    |    |    |    |
| 1                                      | 511-044-360 | Combination Gas Control Valve, 1/2" x 1/2" N.P.T., 24 Volt   | X              | X  | X  | X  | X  |    |    |    |
|  | 511-044-256 | Combination Gas Control Valve, 3/4" x 3/4" N.P.T., 24 Volt   |                |    |    |    |    | X  | X  |    |
|  | 510-811-641 | Combination Gas Control Valve*, 3/4" x 1" N.P.T., 24 Volt Thermopile Only  |                |    |    |    |    |    |    | X  |
| 2                                      | 560-528-950 | Natural Gas Pilot Orifice, .026 Dia. (For Q-327 Pilot)   |                |    |    |    |    |    |    | X  |
| N/S                                    | 510-811-640 | Natural Gas Pilot Replacement Kit (Includes: Slotted Main Burner With Pilot Bracket, Pilot Assembly - Q350, Thermocouple And Tubing with Fittings) | X              | X  | X  | X  | X  | X  | X  |    |
|  | 560-528-980 | Natural Gas Pilot Orifice, .018" Dia. ( For E-38 Pilot Only) (Series 2)  | X              | X  | X  | X  | X  | X  | X  |    |
|  | 511-724-254 | Thermocouple Screw-In 30"  | X              | X  | X  | X  | X  | X  | X  |    |
|  | 510-811-461 | Thermocouple To Thermopile Conversion Kit for Natural Gas. Includes Gas Valve, Bushing, Lead Wire, Thermopile, and Instructions                    |                |    |    |    |    |    |    |    |

## EG - Series 2 Through 4 Standing Pilot Parts Continued

| Fig. No.                                      | Part No.    | Description  | EG Series 4 Boiler Size |    |    |    |    |    |    |    |
|---|-------------|--|-------------------------|----|----|----|----|----|----|----|
|   |             |  | 30                      | 35 | 40 | 45 | 50 | 55 | 65 | 75 |
| <b>Components For Propane Gas Only</b>        |             |  |                         |    |    |    |    |    |    |    |
| 1   | 381-356-534 | Combination Gas Control Valve<br>½" x ½" N.P.T., 24 Volt, Step Open  | X                       | X  | X  | X  | X  | X  | X  |    |
|   | 510-811-643 | Combination Gas Control Valve,<br>¾" x 1" N.P.T., 24 Volt  |                         |    |    |    |    |    |    | X  |
| N/S   | 510-811-462 | Thermocouple To Thermopile Conversion Kit for Propane Gas.<br>Includes Gas Valve, Bushing, Lead Wire, Thermopile, and<br>Instructions                |                         |    |    |    |    |    |    | X  |
| 2   | 560-528-985 | Propane Gas Pilot Orifice. 0.010" Dia. (For E-38 Pilot Only)   | X                       | X  | X  | X  | X  | X  | X  |    |
|   | 560-528-957 | Propane Gas Pilot Orifice. 0.010" Dia. ( For Q327 Pilot)   |                         |    |    |    |    |    |    | X  |
| N/S   | 510-811-642 | Propane Gas Pilot Replacement Kit ( Burner w/Bracket Pilot<br>Assembly - Q350, & Fittings)   | X                       | X  | X  | X  | X  | X  | X  | X  |
|   | 511-724-253 | Thermocouple, 48" Long (Clip In)   | X                       | X  | X  | X  | X  | X  | X  | X  |
| <b>Components For Natural Gas And Propane</b> |             |  |                         |    |    |    |    |    |    |    |
| 3   | 511-330-197 | Pilot Burner, Constant Burning   | X                       | X  | X  | X  | X  | X  | X  |    |
|   | 511-330-186 | Pilot burner, Constant Burning   |                         |    |    |    |    |    |    | X  |
| N/S   | 511-724-259 | Thermopile, 36"  |                         |    |    |    |    |    |    | X  |
|   | 590-850-561 | 5" lead Wire   |                         |    |    |    |    |    |    | X  |
| 4   | 560-742-860 | Pilot Tubing, Aluminum ½ " OD x 22 ¾" Long With Compression<br>Fittings  | X                       | X  | X  | X  | X  | X  | X  | X  |
| 5   | 540-130-955 | Wiring Harness For Water Boilers No Tankless Heater Only-Series 4  | X                       | X  | X  | X  | X  | X  | X  | X  |
|   | 540-130-956 | Wiring Harness For Water Boilers With Tankless Heater Only-Series<br>4   |                         | X  | X  | X  | X  | X  | X  |    |
|   | 540-130-957 | Wiring Harness For Steam Boilers With Float LWCO Only-Series 4   | X                       | X  | X  | X  | X  | X  | X  | X  |
|   | 540-130-958 | Wiring Harness For Steam Boilers With Probe LWCO Only-Series 4   | X                       | X  | X  | X  | X  | X  | X  | X  |
|   | 591-391-780 | Control Wiring Harness-Series 3  | X                       | X  | X  | X  | X  | X  | X  | X  |
| N/S   | 510-811-395 | Natural to LP Kit - (Includes Gas Valve, Burner w/ Pilot Bracket,<br>Pilot Assembly w/ Tubing,Orifices, Thermocouple,Hardware, and<br>Instructions)  | X                       | X  | X  | X  | X  |    |    |    |
|   | 510-811-396 |  |                         |    |    |    |    | X  | X  |    |
|   | 510-811-397 |  |                         |    |    |    |    |    |    | X  |
|   | 510-811-398 | LP to Natural Kit - (Includes Gas Valve, Burner w/ Pilot Bracket,<br>Pilot Assembly w/ Tubing, Orifices, Thermocouple, Hardware,and<br>Instructions) | X                       | X  | X  | X  | X  |    |    |    |
|   | 510-811-399 |  |                         |    |    |    |    | X  | X  |    |
|   | 510-811-402 |  |                         |    |    |    |    |    |    | X  |

## EG - Series 2 Through 4 Intermittent Ignition Parts



| Fig. No.   | Part No.    | Description   | Boiler Size |    |    |    |    |    |    |    |
|--|-------------|---|-------------|----|----|----|----|----|----|----|
|  |             |   | 30          | 35 | 40 | 45 | 50 | 55 | 65 | 75 |
| <b>White Rodgers Cycle Pilot / Honeywell Intermittent Ignition</b> |             |   |             |    |    |    |    |    |    |    |
| NS   | 510-811-458 | Conversion Kit From Cycle Pilot or Honeywell To United Technology Spark Pilot System. (Includes: Control Module, ½" Natural Gas Valve, Pilot Assembly, Wiring and Instructions) | X           | X  | X  | X  | X  |    |    |    |
|  | 510-811-459 | Conversion Kit From Cycle Pilot or Honeywell To United Technology Spark Pilot System. (Includes: Control Module, ¾" Natural Gas Valve, Pilot Assembly, Wiring and Instructions) |             |    |    |    |    |    | X  | X  |
| <b>United Technologies Universal Control System</b>                |             |   |             |    |    |    |    |    |    |    |
| 1  | 511-044-381 | Combination Gas Control Valve, ½" x ½" N.P.T., 24 Volt  | X           | X  | X  | X  | X  |    |    |    |
|  | 511-044-382 | Combination Gas Control Valve, ¾" x ¾" N.P.T., 24 Volt  |             |    |    |    |    |    | X  | X  |
| 2  | 511-330-218 | Pilot Assembly Kit (Includes: Orifice, Aluminum Pilot Gas Tubing, And Spark Wire and Sense Wire)  | X           | X  | X  | X  | X  | X  | X  | X  |
| 3  | 560-742-860 | Pilot Tubing With Compression Fittings, Aluminum, ⅛" x 22 ¾"  | X           | X  | X  | X  | X  | X  | X  | X  |
| 4  | 511-330-095 | Ignition Sensing Control Module With 24 Volt Damper Molex (Replaces Honeywell S8620C1011)   |             | X  | X  | X  | X  | X  | X  | X  |

EG - Series 2 Through 4  
Intermittent Ignition Parts Continued

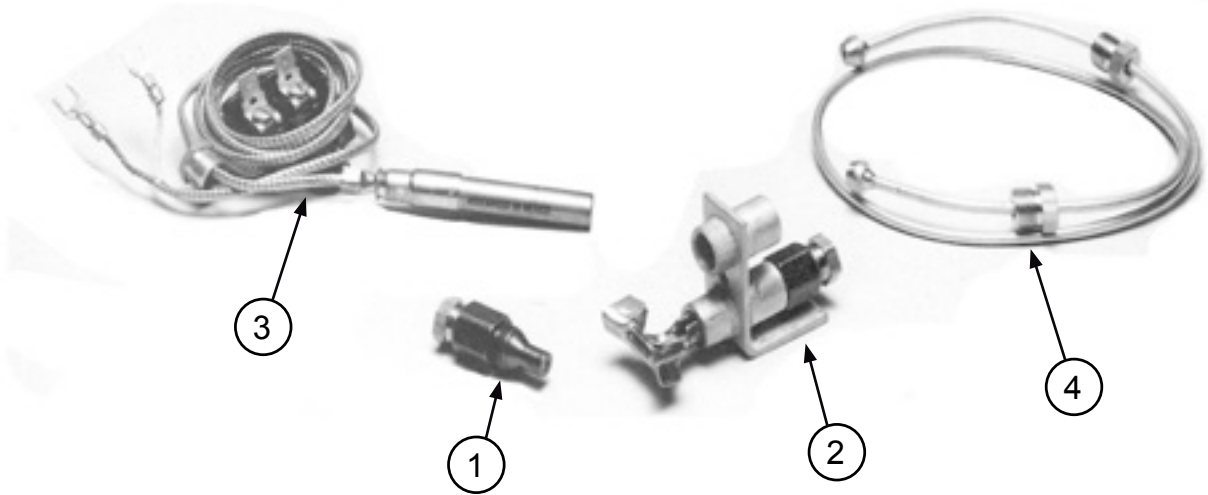
| Fig. No.  | Part No.    | Description  | Boiler Size |    |    |    |    |    |    |    |
|---|-------------|--|-------------|----|----|----|----|----|----|----|
|   |             |  | 30          | 35 | 40 | 45 | 50 | 55 | 65 | 75 |
| <b>United Technologies Universal Control System Cont.</b> |             |  |             |    |    |    |    |    |    |    |
| 4   | 511-330-097 | Ignition Control Module Without Molex, 24 Volt. Series 4 Only                | X           | X  | X  | X  | X  | X  | X  | X  |
| N/S   | 540-130-959 | Wiring Harness, For Water Boilers Without Tankless Heater Only-Series 4 Only | X           | X  | X  | X  | X  | X  | X  | X  |
|   | 540-130-960 | Wiring Harness, For Water Boilers With Tankless Heater Only-Series 4 Only    |             | X  | X  | X  | X  | X  | X  |    |
|   | 540-130-961 | Wiring Harness For Steam Boilers With Float LWCO Only-Series 4 Only          | X           | X  | X  | X  | X  | X  | X  | X  |
|   | 540-130-962 | Wiring Harness For Steam Boilers With Probe LWCO Only-Series 4 Only          | X           | X  | X  | X  | X  | X  | X  | X  |

## EG- Series 2 Through 4 Common Parts

| Part No.    | Description  | Boiler Size |    |    |    |    |    |    |    |
|-------------|--|-------------|----|----|----|----|----|----|----|
|             |  | 30          | 35 | 40 | 45 | 50 | 55 | 65 | 75 |
| 591-391-795 | Damper Wiring Harness With Molex                                       | X           | X  | X  | X  | X  | X  | X  | X  |
| 510-512-337 | Vent Damper Motor Operator With Molex Connector                        | X           | X  | X  | X  | X  | X  | X  | X  |
|             |  | X           | X  | X  | X  | X  | X  | X  | X  |
| 381-800-475 | Vent Damper Assembly 5" Dia  | X           | X  |    |    |    |    |    |    |
| 381-800-476 | Vent Damper Assembly 6" Dia  |             |    | X  | X  |    |    |    |    |
| 381-800-477 | Vent Damper Assembly 7" Dia  |             |    |    |    | X  | X  |    |    |
| 381-800-478 | Vent Damper Assembly 8" Dia  |             |    |    |    |    |    | X  | X  |
| 512-050-230 | Rollout Thermal Fuse 228° C  | X           | X  | X  | X  | X  | X  | X  |    |
| 510-300-013 | Spill Switch With Reset, 210° F  | X           | X  | X  | X  | X  | X  | X  |    |
| 510-312-166 | Combination Transformer-Relay Receptacle, 120/24v, 40va With Bale Wire | X           | X  | X  | X  | X  | X  | X  | X  |
| 510-350-223 | Plug-In Relay DPST, 24 Volt Coil                                       | X           | X  | X  | X  | X  | X  | X  | X  |



## EG - Series 2 & 3 Millivolt Parts

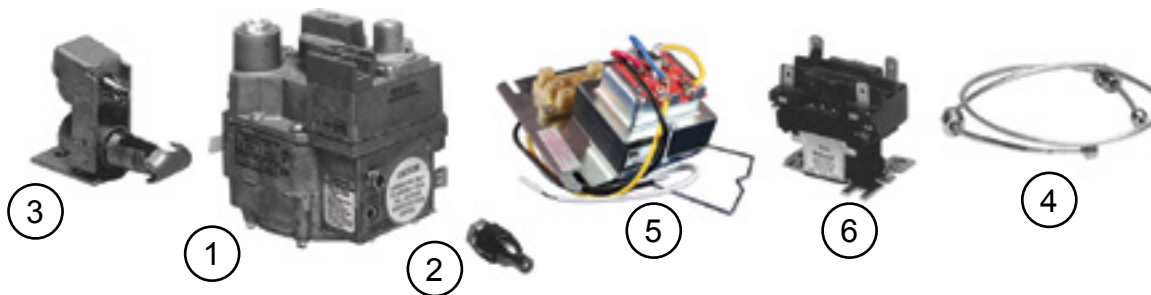


| Fig. No.                                      | Part No.    | Description   | Boiler Size |    |    |    |    |    |    |    |
|---|-------------|---|-------------|----|----|----|----|----|----|----|
|   |             |   | 30          | 35 | 40 | 45 | 50 | 55 | 65 | 75 |
| <b>Components For Natural Gas Only</b>        |             |   |             |    |    |    |    |    |    |    |
| 1   | 560-528-950 | Natural Gas Pilot Orifice, A26, 0.026 Dia. For Q327 Pilot Only  | X           | X  | X  | X  | X  | X  | X  | X  |
| <b>Components For Propane Gas Only</b>        |             |   |             |    |    |    |    |    |    |    |
| 1   | 560-528-957 | Propane Gas Pilot Orifice, 0.010 Dia. For Q327 Pilot Only   | X           | X  | X  | X  | X  | X  | X  | X  |
| <b>Components For Natural And Propane Gas</b> |             |   |             |    |    |    |    |    |    |    |
| 2   | 511-330-186 | Pilot Burner, Constant Burning, Thermally Supervised  | X           | X  | X  | X  | X  | X  | X  | X  |
| 3   | 511-724-249 | Powerpile Millivolt Generator, With Spade Terminal Block, 35" long  | X           | X  | X  | X  | X  | X  | X  | X  |
| 4   | 560-742-860 | Pilot Tubing With Compression Fittings, 1/8" OD Aluminum, 22 3/4" long  | X           | X  | X  | X  | X  | X  | X  | X  |
| N/S   | 381-800-001 | Millivolt Repair Kit- Natural Gas Water Only- ( Includes Gas Valve, Pilot Burner, Thermopile, Aquastat, Hardware and Instructions ) | X           | X  | X  | X  | X  | X  | X  |    |
|   | 381-800-002 | Millivolt Repair Kit- Propane Gas Water Only- ( Includes Gas Valve, Pilot Burner, Thermopile, Aquastat, Hardware and Instructions ) | X           | X  | X  | X  | X  | X  | X  |    |

## EGH - Series 4 Intermittent Ignition LP Gas

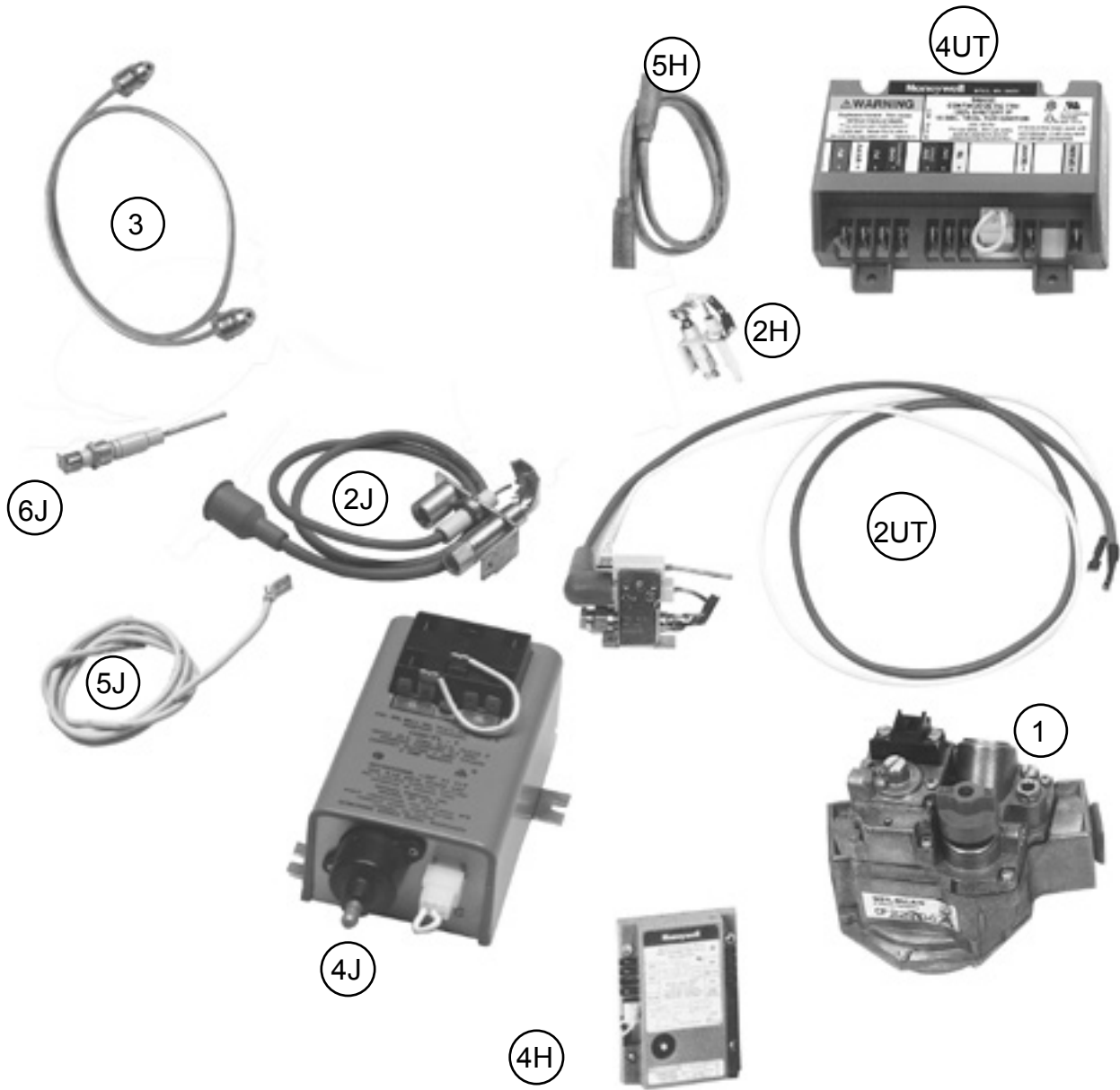
| Fig. No.  | Part No.    | Description   | EGH Series 4 Boiler Size |    |     |     |     |
|---|-------------|---|--------------------------|----|-----|-----|-----|
|   |             |   | 85                       | 95 | 105 | 115 | 125 |
| N/S   | 511-246-320 | ¾" Hand Valve With ⅛" tapping   | X                        | X  |     |     |     |
|   | 511-246-325 | 1" Hand Valve With ⅛" tapping   |                          |    | X   | X   | X   |
|   | 511-044-278 | LP Gas Valve, ¾" x 1" Spark Pilot   | X                        | X  |     |     |     |
|   | 511-044-279 | LP Gas Valve, 1" x 1" Spark Pilot   |                          |    | X   | X   | X   |
|   | 511-330-222 | LP Spark Pilot Burner (Includes: Sparker, Sensor, Wires, Pilot Tubing and Pilot Burner) | X                        | X  | X   | X   | X   |
|   | 560-742-865 | ⅛" x 34" Pilot Tubing For Spark Pilot Burner  | X                        | X  | X   | X   | X   |
|   | 511-330-186 | LP Standing Pilot Burner (Includes: Orifice and Pilot Burner & Bracket)                 | X                        | X  | X   | X   | X   |
|   | 560-528-957 | Propane Gas Pilot Orifice, .010 Dia. (For Q0327 Pilot, Below)                           | X                        | X  | X   | X   | X   |
|   | 511-246-340 | ⅛" x ¼" Manual Pilot Shut Off Valve   | X                        | X  | X   | X   | X   |
|   | 511-724-254 | Thermocouple, Screw In, 30°   | X                        | X  | X   | X   | X   |
|   | 511-330-229 | Pilot Switch Box For Standing Pilot   | X                        | X  | X   | X   | X   |
| <b>EGH - CSD-1 Intermittent Ignition Natural Gas Only</b> |             |   |                          |    |     |     |     |
| N/S   | 511-330-086 | Control Module, 1 Retry With Alarm Contacts   |                          |    | X   | X   | X   |
|   | 510-350-226 | Impulse Relay   |                          |    | X   | X   | X   |
|   | 511-624-580 | Push Button Switch  |                          |    | X   | X   | X   |
|   | 511-624-581 | Red Lens Cover  |                          |    | X   | X   | X   |
|   |             | Lamp, 24 Volt--Available Locally  |                          |    | X   | X   | X   |
|   | 511-044-287 | Combination Gas Valve, 1" x 1", 24 Volt   |                          |    | X   | X   | X   |
|   | 511-246-290 | Hand Valve, 1"  |                          |    | X   | X   | X   |
|   | 511-246-325 | Hand Valve, 1" With Two ⅛" N.P.T Taps   |                          |    | X   | X   | X   |
|   | 511-246-339 | Pilot Shut-off Valve, ⅛" N.P.T x ¼" Compression   |                          |    | X   | X   | X   |
|   | 510-933-195 | Pilot Regulator, ¼" N.P.T   |                          |    | X   | X   | X   |
|   | 511-044-039 | Pilot Solenoid Valve ¼" N.P.T   |                          |    | X   | X   | X   |
|   | 591-391-887 | Wiring Harness, Gravity Return Steam  |                          |    | X   | X   | X   |
|   | 540-130-976 | Wiring Harness, Pumped Steam Return With Wiring Diagram                                 |                          |    |     |     |     |

## EGH - Series 2 Through 4 Standing Pilot Parts



| Fig. No.  | Part No.    | Description  | Boiler size |    |     |     |     |
|---|-------------|--|-------------|----|-----|-----|-----|
|   |             |  | 85          | 95 | 105 | 115 | 125 |
| <b>Components For Natural Gas Only</b>            |             |  |             |    |     |     |     |
| 1   | 510-811-461 | Thermocouple to Thermopile Conversion Kit (Includes: New Gas Valve, Thermopile, Lead Wire Assembly and Instructions) | X           | X  |     |     |     |
|   | 510-811-641 | Combination Gas Control Valve*, 3/4" X 1" N.P.T., 24 Volt, Thermopile Only   | X           | X  |     |     |     |
| 2   | 560-528-950 | Natural Gas Pilot Orifice, A26, .027"  | X           | X  |     |     |     |
| <b>Components For Propane Gas Only</b>            |             |  |             |    |     |     |     |
| 1   | 510-811-462 | Thermocouple to Thermopile Conversion Kit (Includes: New Gas Valve, Thermopile, Lead Wire Assembly and Instructions) |             |    |     |     |     |
|   | 510-811-643 | Combination Gas Control Valve*, 3/4" X 1" N.P.T., 24 Volt, Thermopile Only   | X           | X  |     |     |     |
| 2   | 560-528-957 | Propane Gas Pilot Orifice  | X           | X  |     |     |     |
| <b>Components For Natural Gas And Propane Gas</b> |             |  |             |    |     |     |     |
| 3   | 511-330-186 | Pilot Burner (Constant Burning, Thermally Supervised)  | X           | X  |     |     |     |
| N/S   | 511-724-259 | Thermopile, 36" In Length  | X           | X  |     |     |     |
|   | 590-850-561 | 5" Lead Wire With Terminals  | X           | X  |     |     |     |
| 4   | 560-742-865 | Pilot Tubing, 1/8" X 34" Long With Fittings  | X           | X  |     |     |     |
| N/S   | 510-811-397 | Natural to Propane Conversion Kit (Includes Gas Valve, Orifices, Thermopile, and Instructions)                       | X           | X  |     |     |     |
|   | 540-130-963 | Wiring Harness For Water Boilers Without Tankless Heater Only  | X           | X  |     |     |     |
|   | 540-130-964 | Wiring Harness For Steam Boilers With Float LWCO Only  | X           | X  |     |     |     |
|   | 540-130-965 | Wiring Harness For Steam Boilers With Probe LWCO Only  | X           | X  |     |     |     |
| 5   | 510-312-166 | Combination Transformer & Relay Receptacle, 120/24 Volt, 40 VA With Bale Wire  | X           | X  |     |     |     |
| 6   | 510-350-223 | Plug In Relay, DPST, 24 Volt Coil  | X           | X  |     |     |     |

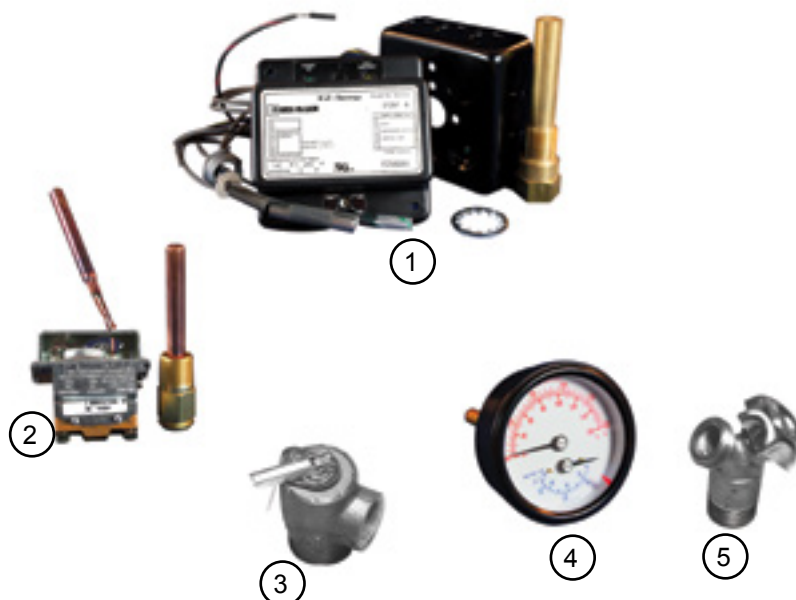
# EGH - Series 2 Through 4 Intermittent Ignition



## EGH - Series 2 Through 4 Intermittent Ignition Parts

| Fig. No.  | Part No.    | Description   | Boiler size |    |     |     |     |
|---|-------------|---|-------------|----|-----|-----|-----|
|   |             |   | 85          | 95 | 105 | 115 | 125 |
| <b>United Technologies Intermittent Ignition</b>          |             |   |             |    |     |     |     |
| 2-UT  | 511-330-242 | Pilot Burner Assembly Kit (Includes: Orifice, Pilot Burner, 34" Pilot Gas Tubing, Spark Wire and Sense Wire, and ¼" Adapter )   | X           | X  | X   | X   | X   |
| 4-UT  | 511-330-095 | Ignition-Sensing Control Module With Molex  | X           | X  | X   | X   | X   |
| <b>Honeywell Intermittent Ignition</b>                    |             |   |             |    |     |     |     |
| 2-H   | 511-330-170 | Combination Safety Pilot Burner with Ignition-Sensing Electrode and Natural Gas Orifice   | X           | X  | X   | X   | X   |
| 5-H   | 591-391-798 | Ignition-Sensing Cable, 36"   | X           | X  | X   | X   | X   |
| <b>Johnson Intermittent Ignition</b>                      |             |   |             |    |     |     |     |
| 2-J   | 511-330-163 | Pilot Burner (Includes: Ignition Electrode and Lead Cable, Sensing Probe and Lead Wire and Natural Gas Orifice)   | X           | X  | X   | X   | X   |
| 5-J   | 511-724-270 | Sensing Probe Lead Wire, 30" With Spade Receptacle  | X           | X  | X   | X   | X   |
| 6-J   | 511-724-264 | Sensing Probe With Spade Receptacle   | X           | X  | X   | X   | X   |
| <b>Common Intermittent Ignition Components</b>            |             |   |             |    |     |     |     |
| 1   | 511-044-286 | Combination Gas Valve ¾" X 1" N.P.T., Natural Gas, 24 Volt  | X           | X  |     |     |     |
|   | 511-044-287 | Combination Gas Valve 1" X 1" N.P.T., Natural Gas, 24 Volt  |             |    | X   | X   | X   |
| 3   | 560-742-865 | Pilot Tubing ⅛" X 34" Long With Compression Fittings  | X           | X  | X   | X   | X   |
| 4-J   | 510-811-457 | Conversion Kit to United Technologies Control (Includes: Module, Wiring, Pilot Burner, and Instructions.) No Gas Valve, Only to Replace Honeywell or Johnson Controls | X           | X  | X   | X   | X   |
| <b>Components For Series 4 Intermittent Ignition Only</b> |             |   |             |    |     |     |     |
| 4-H   | 511-330-097 | Ignition Control Module Without Molex, 24 Volt  | X           | X  | X   | X   | X   |
| N/S   | 540-130-966 | Wiring Harness For Water Boilers With-Out Tankless Heater Only  | X           | X  | X   | X   | X   |
|   | 540-130-969 | Wiring Harness For Water Boilers With Tankless Heater Only  | X           | X  | X   | X   | X   |
|   | 540-130-967 | Wiring Harness For Steam Boilers With Float LWCO Only   | X           | X  | X   | X   | X   |
|   | 540-130-968 | Wiring Harness For Steam Boilers With Probe LWCO Only   | X           | X  | X   | X   | X   |
|   | 510-811-390 | Natural to Propane Conversion Kit, EGH-85 & 95.(Includes: Gas Valve, Pilot Burner, Orifices, and Instructions)  | X           | X  |     |     |     |
|   | 510-811-391 | Natural to Propane Conversion Kit, EGH-105-125.(Includes: Gas Valve, Pilot Burner, Orifices, and Instructions)  |             |    | X   | X   | X   |

## EGH - Series 2 Through 4 Water Trim Parts

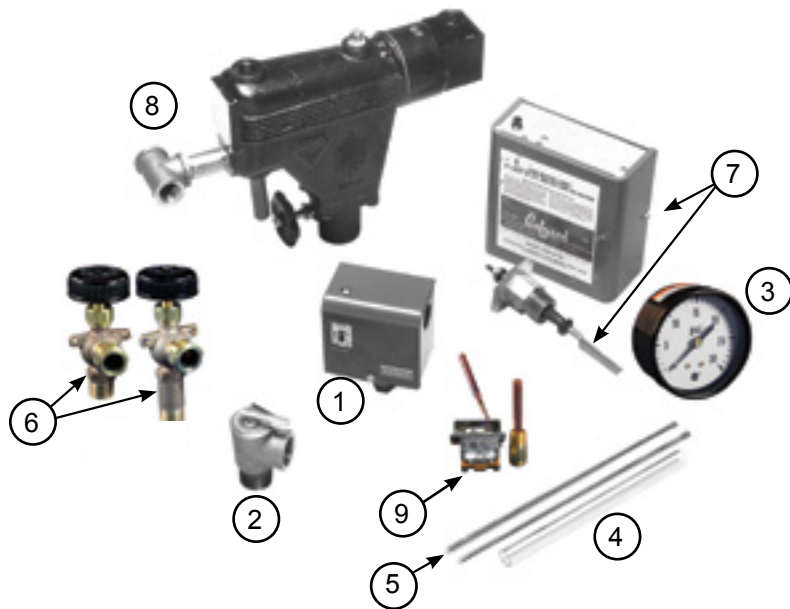


| Fig. No.   | Part No.    | Description   | Boiler size |    |     |     |     |
|--|-------------|---|-------------|----|-----|-----|-----|
|  |             |   | 85          | 95 | 105 | 115 | 125 |
| <b>Temperature Controls For Standard Model Boilers</b>                                   |             |   |             |    |     |     |     |
| 1  | 510-312-150 | Combination Operating Limit (140-240°F Range) and Fixed High Limit (240° F) Temperature Control, Auto Recycle, DPST, With ½" Well. Furnished With Wire Leads For Connection To Thermocouple Spade Terminal Block  | X           | X  |     |     |     |
| <b>Temperature Controls For PI And PID Boilers Without Tankless Heaters</b>              |             |   |             |    |     |     |     |
| 2  | 510-312-250 | Operating Temperature Control, SPST, Auto Recycle, 140-240°F Subtractive Differential With ½" N.P.T Well  | X           | X  | X   | X   | X   |
|  | 510-312-209 | High Limit Temperature Control SPST, Automatic Recycle, 140-240°F, 10°F Fixed Subtractive Differential With ¾" N.P.T well   | X           | X  | X   | X   | X   |
| <b>Temperature Controls For Standard Model, PI And PID Boilers With Tankless Heaters</b> |             |   |             |    |     |     |     |
| N/S  | 510-312-249 | Combination High / Low Limit / Circulator Control With Transformer. High Limit: SPST Automatic Recycle, 140-240°F Range, 10°F Subtractive Differential. Low Limit / Circulator Control: SPDT, Automatic Recycle, 100-200°F Range, 10-35°F Adjustable Differential | X           | X  | X   | X   | X   |
|  | 592-300-027 | Immersion Well, ¾" N.P.T. X 6.25" In Length   | X           | X  | X   | X   | X   |
| <b>Water Trim Components Common To All Boilers</b>                                       |             |   |             |    |     |     |     |
| 3  | 383-600-091 | ASME Pressure Relief Valve (Set To Relieve At 30 PSIG, ¾" N.P.T, Female Inlet)  | X           | X  | X   | X   | X   |
| 4  | 510-218-097 | Combination Pressure-Temperature Gauge<br>2½ " Dial, 0-60 PSIG, Long Shank, ¼" N.P.T Back Connection  | X           | X  | X   | X   | X   |
| 5  | 511-210-423 | Drain Valve, ¾" N.P.T, 1½" Shank  | X           | X  | X   | X   | X   |

## EGH - Series 2 Through 4 Water Trim Continued

| <b>Water Trim Components Common To All Boilers</b> |             |  |   |   |   |   |   |
|--|-------------|--|---|---|---|---|---|
| N/S  | 590-921-901 | Tankless Heater for EGH 85-125 Water Boiler (Includes: Heater, Gasket, Nuts and Studs) | X | X | X | X | X |
|  | 590-317-495 | Tankless Gasket, Round   | X | X | X | X | X |

## EGH - Series 2 Through 4 Steam Trim Parts



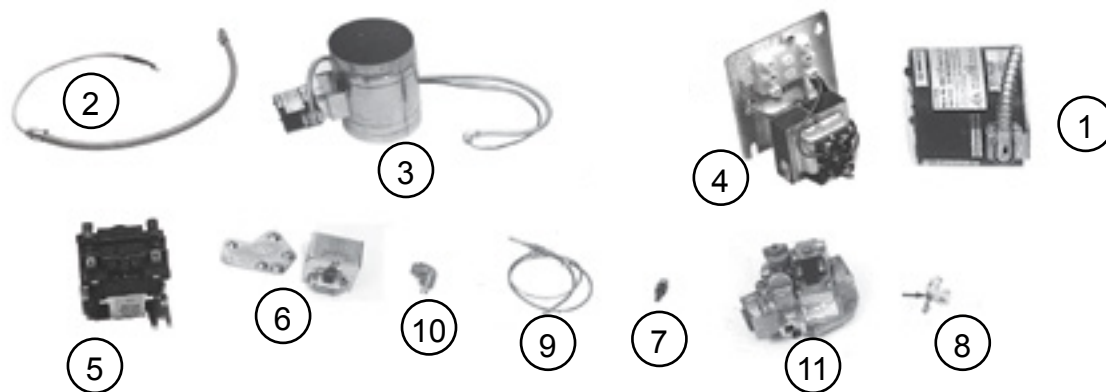
| Fig. No.  | Part No.    | Description   | EGH Series 4 Boiler Size |    |     |     |     |
|---|-------------|---|--------------------------|----|-----|-----|-----|
|   |             |   | 85                       | 95 | 105 | 115 | 125 |
| <b>Trim For All EGH Steam Boilers</b>   |             |   |                          |    |     |     |     |
| 1*  | 510-312-135 | High Pressure Limit Control, SPST, Auto Recycle, 0-15 PSIG Range, 1-5 PSIG Additive Differential, ¼" N.P.T. Bottom Connection | X                        | X  | X   | X   | X   |
| 2   | 383-600-105 | Steam Relief Valve, 15 PSIG, With ¾" N.P.T. Male Inlet--450 LBH   | X                        | X  | X   | X   | X   |
| 3   | 510-218-045 | Steam Pressure Gauge 0-30 PSIG, 2½" Dial, ¼" N.P.T. Bottom Mount  | X                        | X  | X   | X   | X   |
| 4   | 383-600-000 | Water Gauge Glass Kit, ⅝" x 7⅜" With Gaskets and Brass Washers  | X                        | X  | X   | X   | X   |
| 5   | 563-334-580 | Water Gauge Glass Guard, ⅝" x 9⅜"<br>(2 Required)   | X                        | X  | X   | X   | X   |
| N/S   | 511-210-423 | Drain Valve, ¾" N.P.T. 1½" Shank  | X                        | X  | X   | X   | X   |
| <b>Probe Type Low Water Cut-off Components For EGH Steam Boilers</b>              |             |   |                          |    |     |     |     |
| 6   | 510-218-145 | Water Gauge Glass Cocks, Set, ½" N.P.T., Male Inlet, Long Stem  | X                        | X  | X   | X   | X   |
| 7*  | 511-114-515 | Low Water Cut-off, SPDT, ¼" Male Electrode Type, 24 volt, Series 4 Only   | X                        | X  | X   | X   | X   |
|   | 510-811-403 | Low Water Cut-Off, SPDT, ¾" Male Electrode Type, 24 Volt  | X                        | X  | X   | X   | X   |
| <b>Float Type Low Water Cut-Off Components For EGH Steam Boilers</b>              |             |   |                          |    |     |     |     |
| 6   | 510-218-135 | Water Gauge Glass Cocks, ½" N.P.T. (Set of 2)   | X                        | X  | X   | X   | X   |
| 8   | 511-114-494 | Float Type Low Water Cut-Off, SPDT, With Automatic Recycle, 15 PSIG, 120/24 Volt, ½" N.P.T With Quick Hook-Up Fittings)       | X                        | X  | X   | X   | X   |
| <b>* Alternate Components</b>   |             |   |                          |    |     |     |     |
| <b>* Two High Limits Used With EGH-85 and EGH-95 Standing Pilot Steam Boilers</b> |             |   |                          |    |     |     |     |



EGH - Series 2 Through 4  
Steam Trim Parts Continued

| <b>Tankless Heater Operating Temperature Control For EGH Steam Boilers</b> |             |  |   |   |   |   |   |
|--|-------------|--|---|---|---|---|---|
| 9  | 510-312-250 | Operating Temperature Control, SPST, Auto Recycle, 140-240°F<br>Subtractive Differential With ½" N.P.T. Well | X | X | X | X | X |
|  |             |  | X | X | X | X | X |
| N/S  | 590-921-903 | Tankless Heater – Steam Boiler (Includes: Heater, Gasket, Nuts And Studs)                                    | X | X | X | X | X |
|  | 590-317-579 | Gasket for Tankless Heater Opening   | X | X | X | X | X |

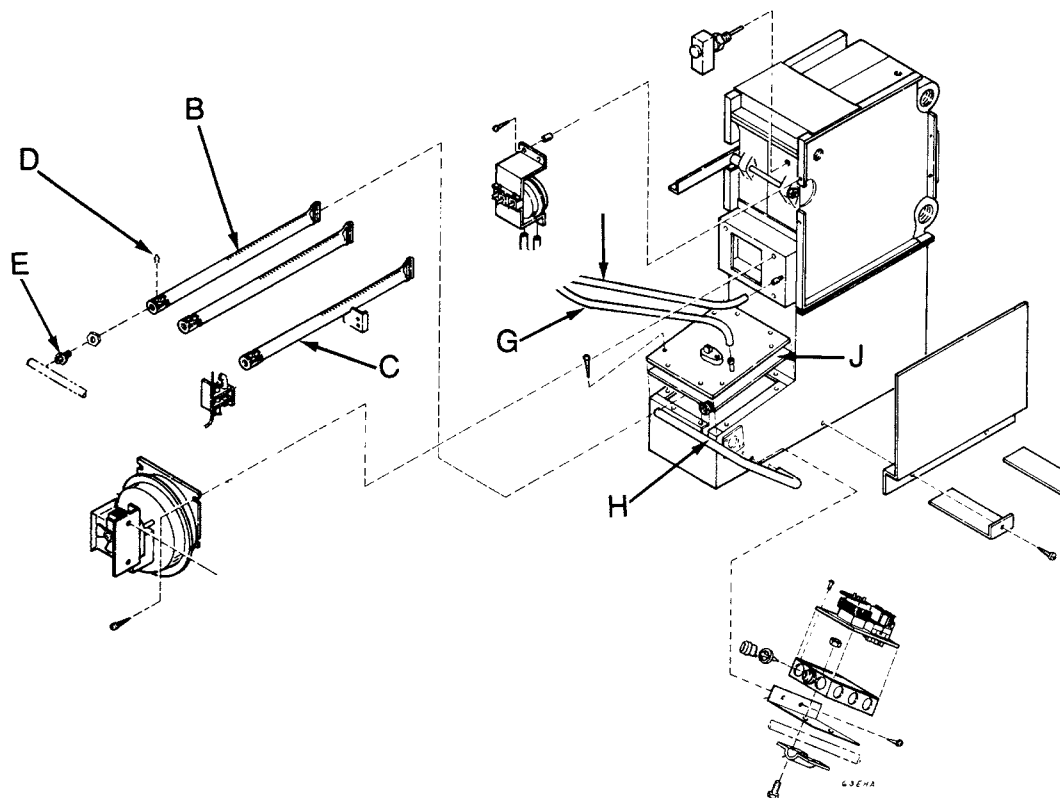
## EGH - Series 2 Through 4 Common Component Parts



| Fig. No.  | Part No.    | Description  | Boiler size |    |     |     |     |
|---|-------------|--|-------------|----|-----|-----|-----|
|   |             |  | 85          | 95 | 105 | 115 | 125 |
| <b>Vent Dampers And Components</b>              |             |  |             |    |     |     |     |
| 1   | 510-512-337 | Vent Damper Motor Operator With Molex                                  | X           | X  | X   | X   | X   |
| 2   | 591-391-795 | Damper Wiring Harness With Molex                                       | X           | X  | X   | X   | X   |
| 3   | 381-800-445 | Vent Damper Assembly With Wiring Harness, 9" Dia.                      | X           |    |     |     |     |
|   | 381-800-446 | Vent Damper Assembly With Wiring Harness, 10" Dia.                     |             | X  | X   |     |     |
|   | 381-800-447 | Vent Damper Assembly With Wiring Harness, 12" Dia.                     |             |    |     | X   | X   |
| <b>Combination Transformer Relay Receptacle</b> |             |  |             |    |     |     |     |
| 4   | 510-312-166 | Combination Transformer & Relay Receptacle, 120/24 Volt, 40 VA         | X           | X  | X   | X   | X   |
| <b>Plug-In Relay</b>                            |             |  |             |    |     |     |     |
| 5   | 510-350-223 | Plug-In Relay DPST, 24 Volt Coil                                       | X           | X  | X   | X   | X   |
| <b>Propane Components For EGH-PI Models</b>     |             |  |             |    |     |     |     |
| 6   | 511-330-229 | Pilot Switch Box   | X           | X  | X   | X   | X   |
| 7   | 560-528-957 | Propane Orifice .010 Dia.(For Q327/Q348 Pilot) K14                     | X           | X  | X   | X   | X   |
| 8   | 511-330-186 | Standing Pilot Burner  | X           | X  | X   | X   | X   |
| 9   | 511-724-254 | Thermocouple Lead, 30" Screw In  | X           | X  | X   | X   | X   |
| 10  | 511-246-340 | Manual Shut-off Pilot Gas Valve, 1/8" N.P.T x 1/4" CC                  | X           | X  | X   | X   | X   |
| 11  | 511-044-278 | Combination Gas Control Valve, 3/4" x 1" N.P.T., 24 Volt (Propane gas) | X           | X  |     |     |     |

# NOTES

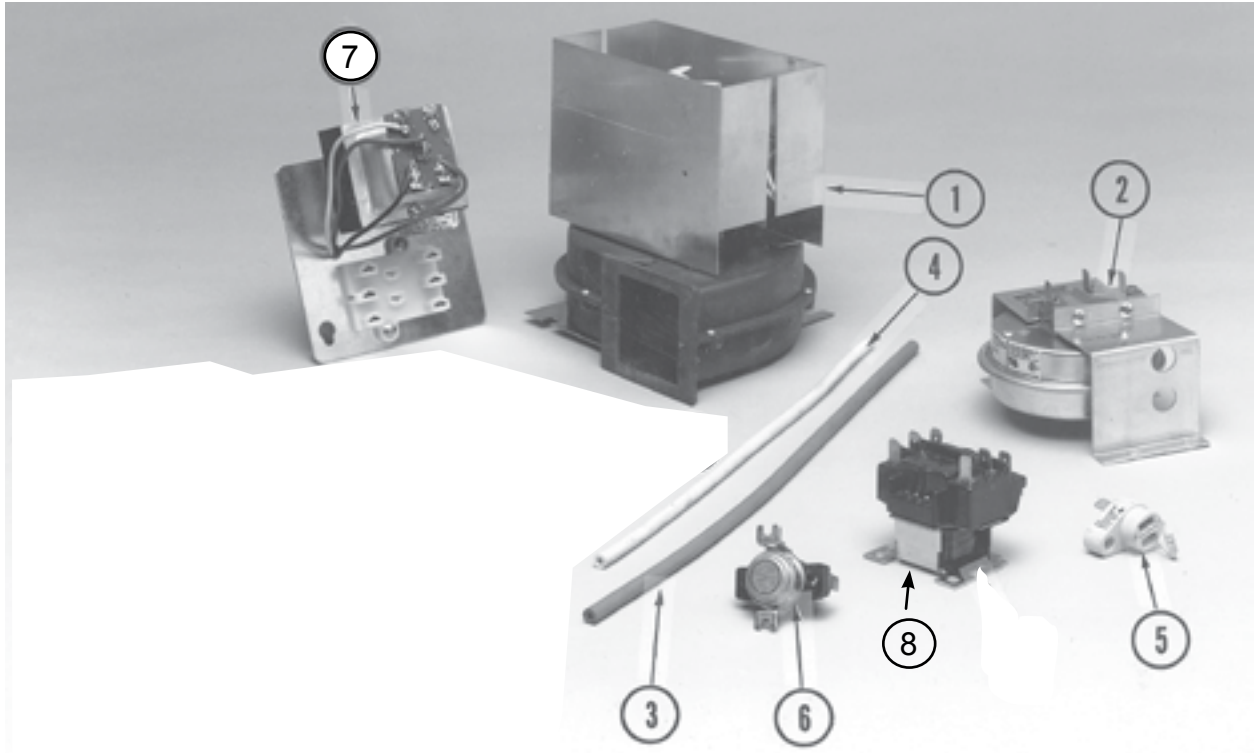
## AHE - Series 2 & 3 Section Assembly Parts



| Fig. No. | Part No.    | Description   | Series No. |
|----------|-------------|---|------------|
| B        | 512-200-077 | Burner, Tubular Steel, Regular  | 2,3        |
| C        | 512-200-045 | Burner, Tubular Aluminum With Pilot Bracket   | 2,3        |
| D        | 562-610-325 | Hair Pin Clip   | 2,3        |
| E        | 560-529-018 | Main Burner Orifice, Natural Gas, No. 48 Drill Size<br>(Order Sufficient Quantities To Replace All Orifices Within a Base)  | 3          |
|          | 560-529-019 | Main Burner Orifice, Propane Gas, 1.15 mm Drill Size<br>(Order Sufficient Quantities To Replace All Orifices Within a Base) | 3          |
| H        | 591-126-573 | Burner Manifold - AHE-60  | 2,3        |
| J        | 590-317-605 | Gasket, Burner Inlet Plenum Cover, 6" x 6" - AHE-45   | 2,3        |
|          | 590-317-606 | Gasket, Burner Inlet Plenum Cover, 6" x 9" - AHE-60   | 2,3        |
| N/S      | 590-317-603 | Gasket, Exhaust Box To Blower   | 2,3        |
|          | 590-317-602 | Gasket, Air Box to Burner Inlet   | 2,3        |
|          | 592-002-029 | Touch Up Paint - Gold - Low E, 4.5oz Can  |            |

**Note: AHE-45 has 3 burners, AHE-60 has 4 burners. If cycle pilot, replace 1 of the aforementioned burners with a burner and pilot bracket.**

## AHE - Series 2 & 3 Blower / Ignition Control Parts



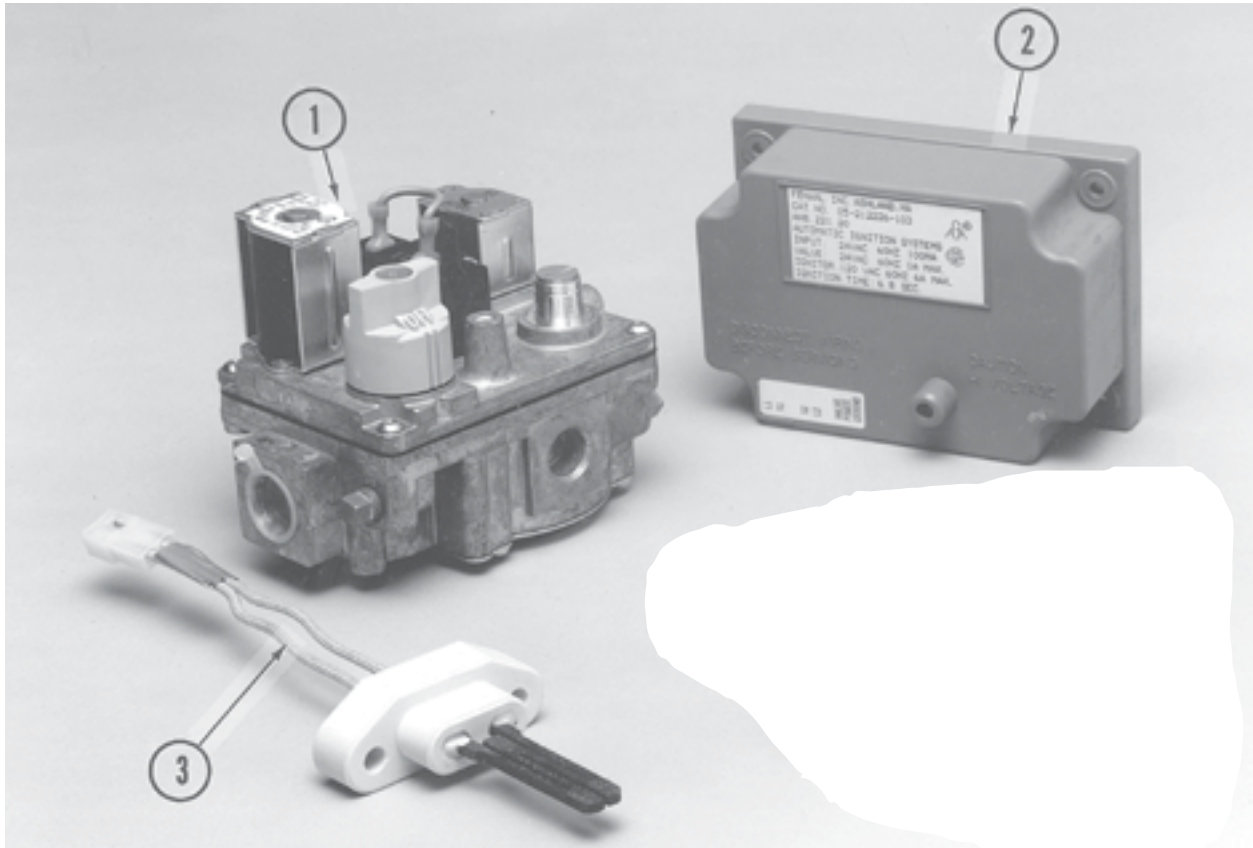
| Fig No. | Part No.    | Description   | Boiler Size |
|---------|-------------|---|-------------|
| 1       | 510-811-466 | Blower and Motor Assembly Replacement Kit (Includes: Blower Housings Left & right Mounting Plate, Blower Wheel, Blower Motor 120/60/1, Motor Fan, Guard) Series 2 & 3 | 45,60       |
| 2       | 511-624-530 | Differential Pressure Switch, SPST Switch Action, 0.35" W.C. Setting, Sea Level to 4,000 ft. Elevation, Series 2 & 3  | 45<br>45    |
|         | 511-624-532 | Differential Pressure Switch, SPST Switch Action, 0.30" W.C. Setting, Sea Level to 4,000 ft. Elevation, Series 2 & 3  | 60<br>60    |
| 3       | 590-317-636 | Pressure Differential Switch Tubing, 1/8" ID x 14 1/2", Red, Series 2 & 3   | 45,60       |
| 4       | 590-317-632 | Pressure Differential Switch Tubing, 1/8" ID x 7", White, Series 2 & 3  | 45,60       |
| 5       | 512-050-235 | Thermal Rollout Fuse, 250° F, Series 2 & 3  | 45,60       |
| 6       | 510-350-062 | Low Water Cut-Off Temperature Control Device, 240° F Setting, SPST Switch Action, Manual Reset (Red Manual Reset Push Button), Series 2 & 3                           | 45,60       |
|         |             |   | 45,60       |
| 7       | 510-312-166 | Combination Transformer-Relay Receptacle, 120/24 Volt, 40VA (With Bale Wire), Series 2 & 3  | 45,60       |
|         |             |   | 45,65       |
|         |             |   | 45,65       |
|         |             |   | 45,65       |
| Fig No. | Part No.    | Description   | Boiler Size |
| 8       | 510-350-223 | Plug-In Relay, DPST, 24 Volt Holding Coil, Series 2 & 3   | 45,65       |
|         |             |   | 45,65       |
|         |             |   | 45,65       |
|         |             |   | 45,65       |

AHE - Series 2  
Gas Control Parts  
White-Rodgers Cycle Pilot Ignition System

| Part No.    | Description  | Boiler Size |
|-------------|--|-------------|
| 511-330-122 | Combination Safety Pilot Burner With Ignition Electrode and Ignition Lead Cable, 30" | 45,60       |
| 560-742-860 | Pilot Tubing, 1/8" O.D. Aluminum X 22 3/4" long, With Compression Fittings           | 45,60       |

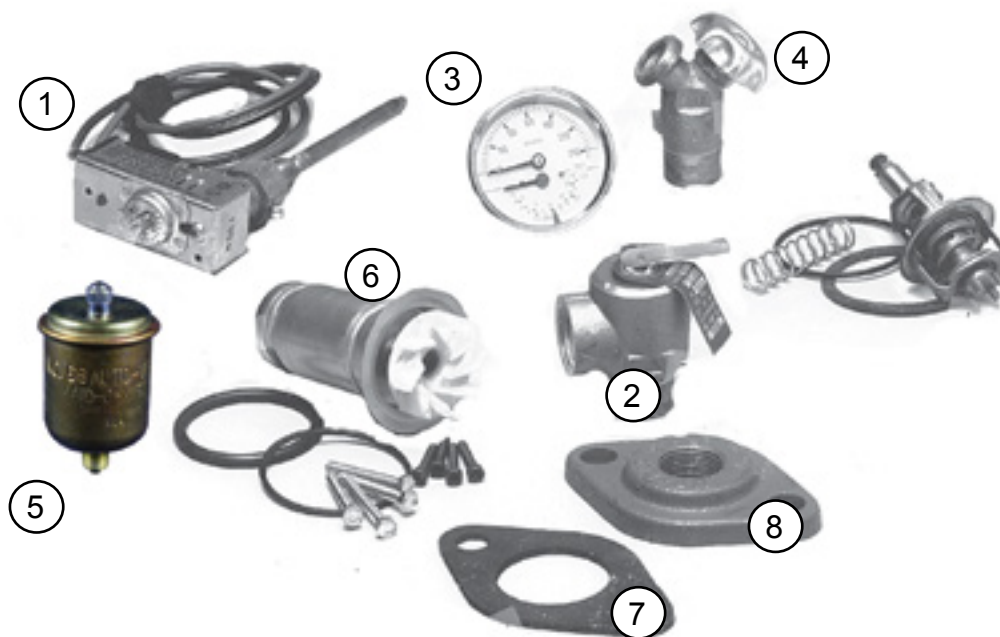
**Note: No other cycle pilot parts available through Weil-McLain.**

## AHE - Series 3 Gas Control Parts



| Fig No. | Part No.    | Description   | Boiler Size |
|---------|-------------|---|-------------|
| 1       | 381-400-170 | Gas Valve Replacement Kit, Natural Gas, HSI   | 45,60       |
|         |             |   | 45,60       |
|         |             |   | 45,60       |
|         | 381-400-173 | Gas Valve Replacement Kit, Propane Gas, HSI   | 45,60       |
|         |             |   | 45,60       |
|         |             |   | 45,60       |
| 2       | 510-811-476 | Retrofit kit from Fenwal 05-21 or 05-31 To Fenwall 35-655505-011 (Includes: Module, Igniter Replacement Kit, Wiring, Hardware and Instructions) | 45,60       |
| 3       | 511-330-148 | Igniter Replacement Kit (Includes: Igniter, Gasket, Screws)   | 45,60       |
| N/S     | 570-330-155 | Fenwall 35-655505-011 Ignition Sensing Control Module Only. See Retrofit Kits Above For Retrofitting  | 45,60       |

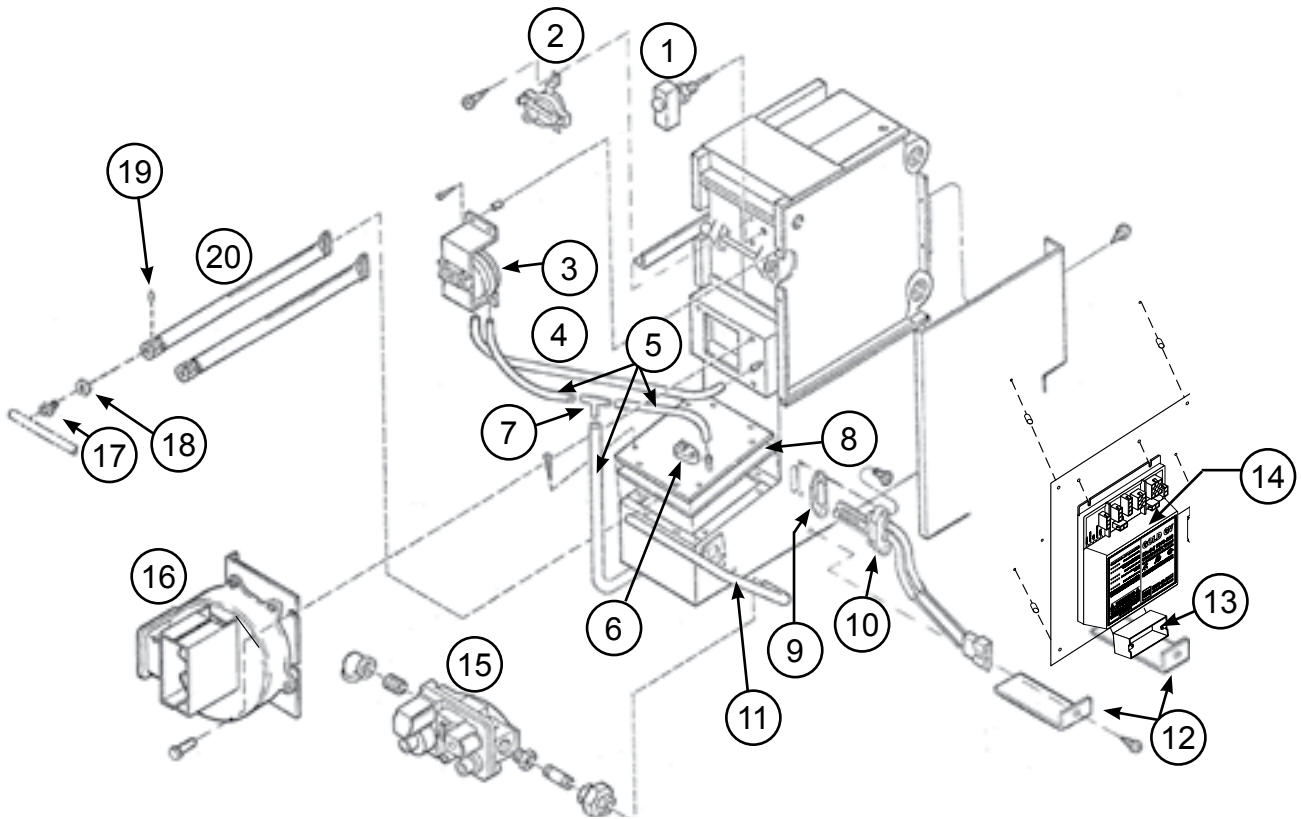
## AHE - Series 2 & 3 Water Trim Parts



| Fig No. | Part No.    | Description  | Boiler Size |
|---------|-------------|--|-------------|
| 1       | 510-312-009 | High Limit Temperature Control, Control Obsolete, (Call Weil-McLain Technical Service At 800-526-6636 For Further Information) | 45, 60      |
| 2       | 383-600-090 | ASME Pressure Relief Valve, Set To Relieve At 50 PSIG, ¼" N.P.T. Male Inlet, Brass, Side Outlet, Series 3 Only                 | 45,60       |
|         |             | ASME Pressure Relief Valve, Set To Relieve At 30 PSIG, ¼" N.P.T. Male Inlet, Brass, Side Outlet, Series 2 Only                 | 45,60       |
|         |             | ASME Pressure Relief Valve, Set To Relieve At 30 PSIG, ¼" N.P.T. Male Inlet, Brass, Side outlet, Series 2 Only                 | 45,60       |
| 3       | 510-218-099 | Combination Pressure-Temperature Gauge, 2½" Dial, 0-60 PSIG, 60-260°F, Short Shank, Back Connection, ¼" N.P.T, Series 2 & 3    | 45,60       |
| 4       | 511-210-423 | Drain Valve, ¼" N.P.T., Brass Series 2 & 3   | 45,60       |
| 5       | 510-148-563 | Automatic Air Vent, Float Type, ¼" N.P.T., Series 2 & 3  | 45,60       |
| 6       | 511-405-006 | Circulator Cartridge (Includes: Gaskets and Hardware) Series 2 & 3   | 45,60       |
| 7       | 590-317-535 | Circulator Gasket, Series 2 & 3  | 45,60       |
| 8       | 381-354-530 | Circulator Hardware Kit, ¼" Universal, Series 2 & 3  | 45,60       |



## AHE - Series 4 Base Assembly Parts



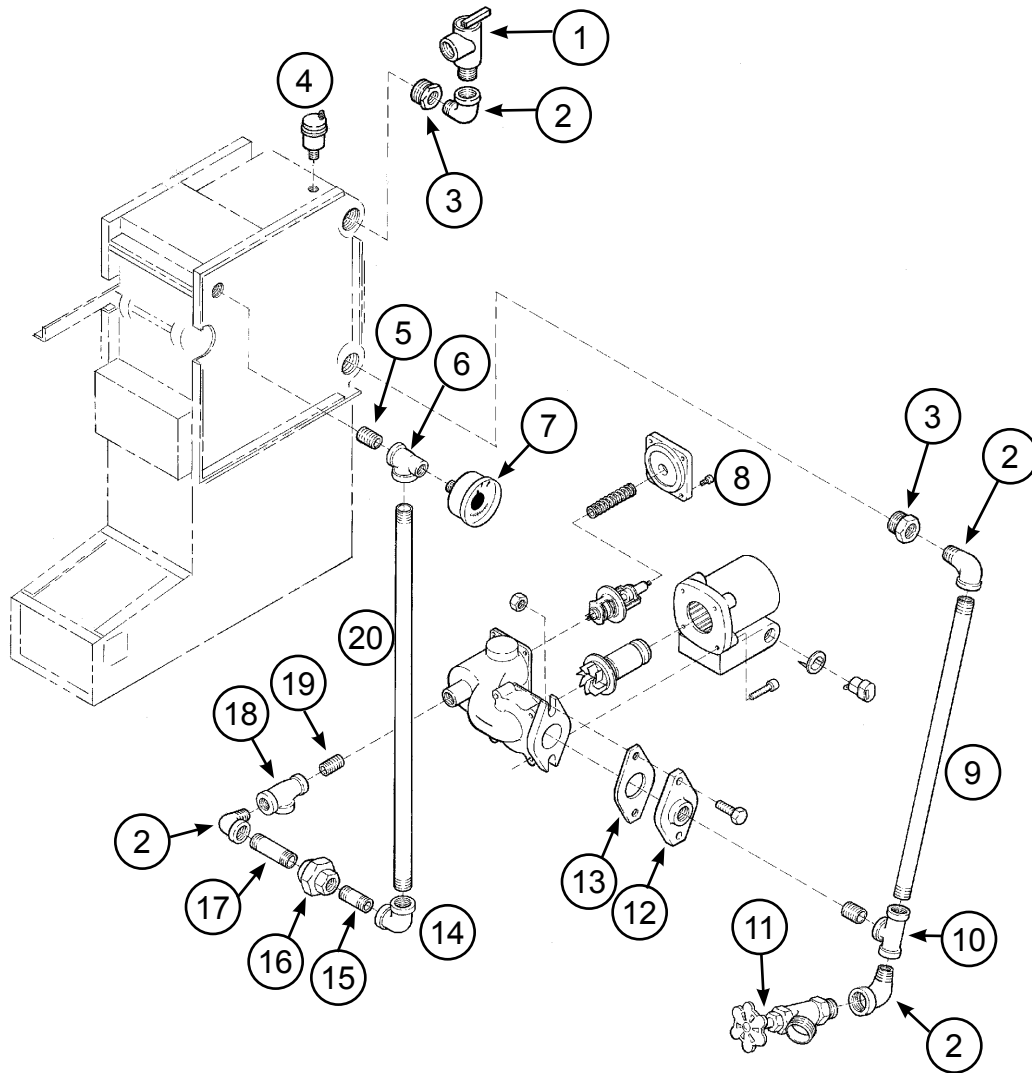
| Fig No. | Part No.       | Description  |
|---------|----------------|--|
| 1       | 510-312-009    | Limit Control, 120-240°, 10° Fixed Differential, With 5/16" Well |
| 2       | 510-350-062    | Block Temperature Switch   |
| 3       | 511-624-530    | Pressure Switch -.35" W.C. (AHE-45)                              |
|         | 511-624-532    | Pressure Switch -.30" W.C. (AHE-60)                              |
| 4       | 590-317-632    | Silicone Tubing, White 7.00"                                     |
|         | 590-317-645    | Silicone Tubing, Red 6.00"                                       |
| 5       | 590-317-631    | Silicone Tubing, Red 12.00"                                      |
|         | 590-317-636    | Silicone Tubing, Red 14.50"                                      |
| 6       | 512-050-235    | Rollout Thermal Fuse Element 121°C/250°F                         |
| 7       | Obtain Locally | Tee, 1/8" x 1/8" x 1/8"  |
| 8       | 590-317-605    | Gasket, Burner Inlet Plenum Cover (AHE-45)                       |
|         | 590-317-606    | Gasket, Burner Inlet Plenum Cover (AHE-60)                       |
| 9       | 590-317-599    | Gasket Igniter   |
| 10      | 511-330-148    | Igniter With gasket  |
| 11      | 591-126-573    | Burner Manifold AHE-60-10.63"                                    |
| N/S     | Obtain Locally | Junction Box, 4" x 2.12"   |
| 12      | 450-030-769    | Bottom Insulation Retainer                                       |

## AHE - Series 4 Base Assembly Parts Continued

| Fig No. | Part No.       | Description  |
|---------|----------------|--|
| 13      | 511-842-370    | 24 Volt Step Down Transformer, 40 VA   |
| 14      | 382-200-448    | Control Module Kit (Includes: Module, Circulator Harness and Temperature Jumper) |
| N/S     | 591-391-831    | Wiring Harness, Control  |
| 15      | 511-044-367    | Gas Valve, Natural Gas, ½" x ½"  |
|         | 511-044-373    | Gas Valve, Propane Gas, ½" x ½"  |
| 16      | 510-811-466    | Blower Motor Assembly  |
| 17      | 560-529-018    | Main Burner Orifice #48 Hole, Natural Gas  |
|         | 560-529-019    | Main Burner Orifice 1.15 mm Hole, LP   |
| 18      | Obtain Locally | Nut, Hex Jam, ½" 0-20  |
| 19      | 562-610-325    | Clip Hairpin   |
| 20      | 512-200-077    | Main Burner, Stainless Steel   |
| N/S     | 592-002-029    | Touch Up Paint - Gold - Low E, 4.5oz Can   |

**Note:****AHE-45: 3 burners****AHE-60: 4 burners**

## AHE - Series 4 Water Trim Parts



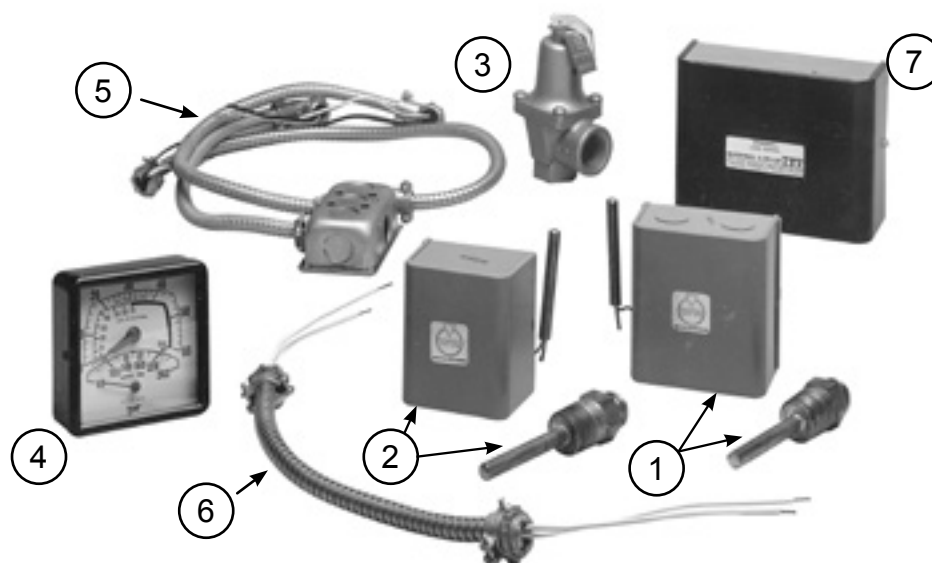
| Fig No. | Part No.       | Description   |
|---------|----------------|---|
| 1       | 383-600-090    | Relief Valve, 3/4"  |
| 2       | Obtain Locally | Street Elbow, 3/4", Black   |
| 3       |                | Bushing, 1 1/2" x 3/4" Black, Inside Hex  |
| 4       | 510-148-563    | Air Vent  |
| 5       | Obtain Locally | 3/4" x Close, Black (AHE-45)  |
| 6       |                | 3/4" x 4 1/2" ,Black (AHE-60)   |
| 7       | 510-218-099    | Combination Temperature-Pressure Gauge, Short Shank   |
| 8       | 511-405-008    | Circulator Pump With Mixing Valve - <b>Obsolete Call Technical Services At 800-526-6636</b> |

## AHE - Series 4 Water Trim Parts Continued

| Fig No. | Part No.       | Description  |
|---------|----------------|--|
| N/S     | 591-391-902    | Wire Harness With Temperature Sensor Plug For Circulator                       |
|         | 511-405-006    | Circulator Cartridge With Gaskets and Hardware                                 |
|         | Obtain Locally | Strain Relief Bushing  |
|         |                | Strain Relief Adapter  |
| 9       | Obtain Locally | Nipple, $\frac{3}{4}$ " x 13 $\frac{1}{2}$ ", Black                            |
| 10      |                | Tee, $\frac{3}{4}$ ", Black  |
| 11      | 511-210-423    | Drain Valve, $\frac{3}{4}$ " x 1 $\frac{1}{2}$ " Shank                         |
|         | 511-246-392    | Drain Valve, $\frac{3}{4}$ " x 1 $\frac{1}{2}$ " Shank                         |
| 12      | 381-354-530    | Pump Flange Kit, $\frac{3}{4}$ " (Includes: 1 Flange, Gasket, 2 Bolts, 2 Nuts) |
| 13      | 590-317-535    | Pump Flange Gasket   |
| 14      | Obtain Locally | Elbow, $\frac{3}{4}$ ", Black  |
| 15      |                | Nipple, $\frac{3}{4}$ " x 2 $\frac{1}{2}$ ", Black                             |
| 16      |                | Union, $\frac{3}{4}$ ", Black  |
| 17      |                | Nipple, $\frac{3}{4}$ " x 3", Black (AHE-45)                                   |
|         |                | Nipple, $\frac{3}{4}$ " x 6", Black (AHE-60)                                   |
| 18      |                | Tee, $\frac{3}{4}$ " x $\frac{1}{2}$ " x $\frac{3}{4}$ ", Black                |
| 19      |                | Nipple, $\frac{1}{2}$ " x Close, Black   |
| 20      |                | Nipple, $\frac{3}{4}$ " x 22 $\frac{1}{2}$ ", Black                            |

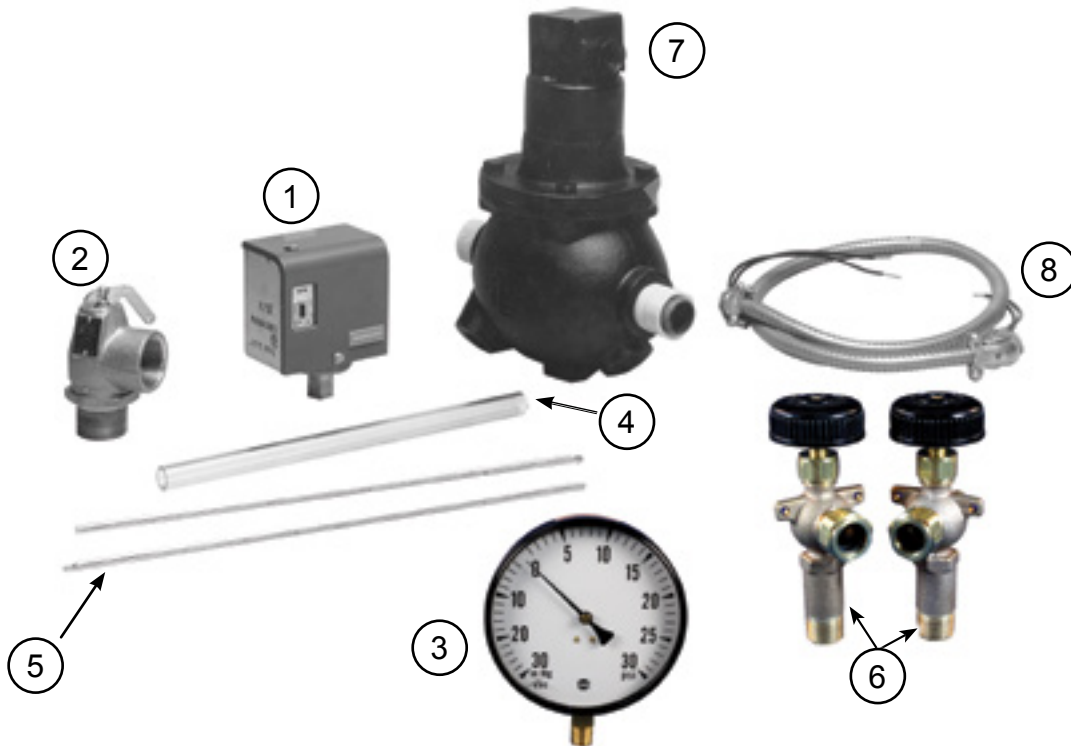
# NOTES

## LGB - Series 1 Water Trim Parts



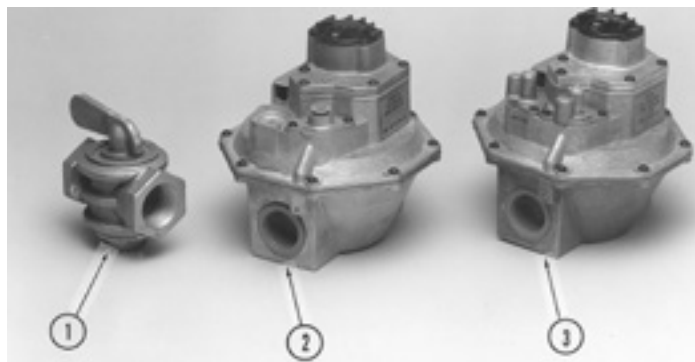
| Fig. No. | Part No.    | Description  | Boiler Size    |
|----------|-------------|--|----------------|
| 1        | 510-312-065 | Combination Operating and High Limit Control, DPST, Automatic Recycle, With $\frac{3}{4}$ " N.P.T. Control Well. Operation Limit: 100 - 220° Range With 10-35°F Adjustable Subtractive Differential. High Limit: 140-240°F Range With 10°F Fixed Subtractive Differential. | 6 - 20         |
| 2        | 510-312-209 | High Limit Temperature Control, SPST Automatic Recycle, 140-240°F Range, 10°F Fixed Subtractive Differential With $\frac{3}{4}$ " N.P.T. Control Well (Separate Controls Used for Operating and High Limit Function For LGB-21 Through LGB-23 Boilers)                     | 21 - 23        |
| 3        | 383-600-091 | ASME Pressure Relief Valve, Set To Relieve At 30 PSIG, $\frac{3}{4}$ " N.P.T. Male Inlet x $\frac{3}{4}$ " N.P.T. Female Outlet; Side Outlet Type  | 4 - 5<br>4 - 5 |
|          | 383-600-063 | ASME Pressure Relief Valve, Set To Relieve At 30 PSIG, $\frac{3}{4}$ " N.P.T. Male Inlet x 1" N.P.T. Female Outlet; Side Outlet Type   | 6 - 9          |
|          | 383-600-092 | ASME Pressure Relief Valve, Set To Relieve At 30 PSIG, 1" N.P.T. Male Inlet x 1 $\frac{1}{4}$ " N.P.T. Female Outlet; Side Outlet Type   | 10 - 13        |
|          | 383-600-093 | ASME Pressure Relief Valve, Set To Relieve At 30 PSIG, 1 $\frac{1}{4}$ " N.P.T. Male Inlet x 1 $\frac{1}{2}$ " N.P.T. Female Outlet; Side Outlet Type  | 14 - 20        |
|          | 383-600-094 | ASME Pressure Relief Valve, Set To Relieve At 30 PSIG, 1 $\frac{1}{2}$ " N.P.T. Male Inlet x 2" N.P.T. Female Outlet; Side Outlet Type   | 21 - 23        |
| 4        | 510-218-065 | Combination Pressure-Temperature Gauge, 0-50 PSIG, 60-260°F Back Connection, $\frac{1}{2}$ " N.P.T.  | All Sizes      |
| 5        | 591-319-793 | Temperature Control Wiring Harness   | 21 - 23        |
| 6        | 591-319-801 | Water Trim Wiring Harness  | 6-23           |
| 7        | 511-114-528 | Electrode Type Low Water Cut-Off, 120 Volt, SPDT, Automatic Recycle, 160 PSIG Rated, $\frac{1}{2}$ " N.P.T. Male Electrode   | All Sizes      |

## LGB - Series 1 Steam Trim Parts



| Fig. No. | Part No.    | Description   | LGB Boiler Size |
|----------|-------------|---|-----------------|
| 1        | 510-312-135 | High Limit Steam Pressure Control, SPST, Auto Recycle, 0-9 PSIG Range, 0-5 PSIG Adjustable Additive Differential, Bottom Connection, 1/4" N.P.T. Male | All Sizes       |
| 2        | 383-600-107 | ASME Steam Safety Relief Valve, Set To Relieve At 15 PSIG, Side Outlet, 1" N.P.T. Male Inlet x 1" N.P.T. Female Outlet, 643 lbs/hr Capacity           | 4 - 7           |
|          | 383-600-108 | ASME Steam Safety Relief Valve, Set To Relieve At 15 PSIG, Side Outlet, 1 1/2" N.P.T. Male Inlet x 1 1/2" N.P.T. Female Outlet, 1200 lbs/hr Capacity  | 8 - 12          |
|          | 383-600-109 | ASME Steam Safety Relief Valve, Set To Relieve At 15 PSIG, Side Outlet, 1 1/2" N.P.T. Male Inlet x 2" N.P.T. Female Outlet, 1900 lbs/hr Capacity      | 13 - 19         |
|          | 383-600-110 | ASME Steam Safety Relief Valve, Set To Relieve At 15 PSIG, Side Outlet, 2" N.P.T. Male Inlet x 2" N.P.T. Female Outlet, 2500 lbs/hr Capacity          | 20 - 23         |
| 3        | 510-218-100 | Combination Pressure-Vacuum Gauge, 0-30PSIG, 0-30" HG., 4 1/2" Dial, Bottom Connection, 1/4" N.P.T. Spec 04459  | All Sizes       |
| 4        | 383-600-002 | Water Gauge Glass Kit, 5/8" x 10 5/8" With Gaskets and Brass Washers  | All Sizes       |
| 5        | 563-334-595 | Water Gauge Glass Guard, 3/16" Dia. X 12 1/2" Long (2 Per Gauge Glass)  | All Sizes       |
| 6        | 510-218-145 | Water Gauge Glass Cocks, Set, 1/2" N.P.T. Male Inlet  | All Sizes       |
| 7        | 511-114-474 | Float Type Low Water Cut-off, Automatic Recycle, 14 PSIG Rated, 1" N.P.T.   | All Sizes       |
| 8        | 591-319-800 | Steam Trim Wiring Harness   | All Sizes       |

## LGB - Series 1 Main Gas Train Control Parts Natural Gas



**Table 1 – LGB Main Gas Control Trains Arrangement**

| LGB Series 1<br>Boiler Size | Main Gas Control Trains                       |   | LGB Series 1<br>Boiler Size | Main Gas Control Trains                     |   |
|-----------------------------|---|---|-----------------------------|---|---|
|                             | 7.0" W.C. Natural<br>Gas Supply Pres-<br>sure | 5.0" W.C. Natural<br>Gas Supply<br>Pressure |                             | 7.0" W.C.<br>Natural Gas<br>Supply Pressure | 5.0" W.C. Natural<br>Gas Supply<br>Pressure |
| LGB-6                       | AB  | AB  | LGB-15                      | J   | J   |
| LGB-7                       | AB  | AB  | LGB-16                      | J   | J   |
| LGB-8                       | CD  | CD  | LGB-17                      | J   | J   |
| LGB-9                       | CD  | CD  | LGB-18                      | K   | K   |
| LGB-10                      | EFG   | E   | LGB-19                      | L   | M   |
| LGB-11                      | EFG   | FG  | LGB-20                      | L   | N   |
| LGB-12                      | EFG   | FG  | LGB-21                      | *L  | *O  |
| LGB-13                      | H   | H   | LGB-22                      | *L  | *O  |
| LGB-14                      | I   | I   | LGB-23                      | *L  | *O  |

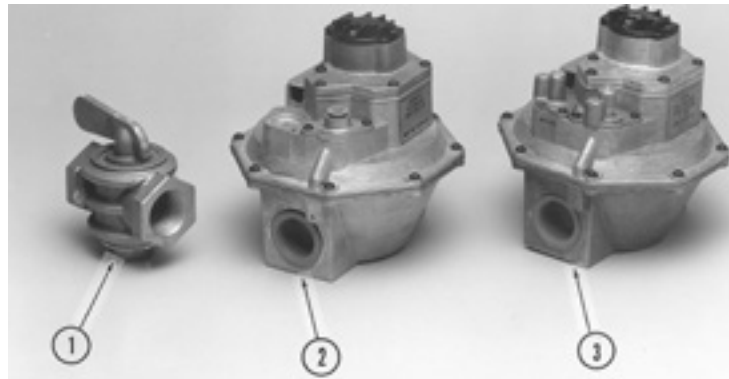
\*With Special Control Carton ( Includes Gas Pressure Switch, Switch Bracket, Connecting Tubing)

**Table 2 – LGB Main Gas Control Trains Individual Components**

| Fig.<br>No. |  | MAIN GAS CONTROL TRAINS                |   |   |   |   |   |   |   |  |   |    |    |   |   |   |   |   |   |   |   |
|-------------|--|--|---|---|---|---|---|---|---|--|---|----|----|---|---|---|---|---|---|---|---|
|             |  | 7" W.C. Natural Gas<br>Supply Pressure |   |   |   |   |   |   |   | 5" W.C. NATURAL Gas Supply<br>Pressure |   |    |    |   |   |   |   |   |   |   |   |
|             |  | AB                                     | C | D | E | F | H | I | J | K                                      | L | AB | CD | E | F | H | I | J | K | M | N |
| 1           | Manual Main Shut-Off Gas Valve, 1" N.P.T.  | X                                      | X |   |   |   | X | X | X | X                                      |   |    |    |   |   |   |   |   |   |   |   |
|             | Manual Main Shut-Off Gas Valve, 1¼" N.P.T. |  |   |   | X |   |   |   |   | X                                      | X | X  | X  |   |   | X | X | X | X |   |   |
|             | Manual Main Shut-Off Gas Valve, 1½" N.P.T. |  |   |   |   |   |   |   |   |  |   |    | X  |   |   |   |   |   | X | X | X |
|             | Manual Main Shut-Off Gas Valve, 2" N.P.T.  |  |   |   |   |   |   |   |   |  |   |    |    | X |   |   |   |   |   | X | X |
| 2           | Safety Gas Valve 1" N.P.T.                 | X                                      | X |   |   |   | X | X | X | X                                      |   |    |    |   |   |   |   |   |   |   |   |
|             | Safety Gas Valve 1¼" N.P.T.                |  |   |   | X |   |   |   |   |  | X | X  | X  |   |   | X | X | X | X |   |   |
|             | Safety Gas Valve 1½" N.P.T.                |  |   |   |   |   |   |   |   |  |   |    | X  | X |   |   |   |   | X | X | X |
| 3           | Combination Gas Control Valve, 1" N.P.T.   | X                                      | X |   |   |   | X | X | X | X                                      |   |    |    |   |   |   |   |   |   |   |   |
|             | Combination Gas Control Valve, 1¼" N.P.T.  |  |   |   | X |   |   |   |   |  | X | X  | X  |   |   | X | X | X | X |   |   |
|             | Combination Gas Control Valve, 1½" N.P.T.  |  |   |   |   |   |   |   |   |  |   |    |    | X | X |   |   |   | X | X | X |



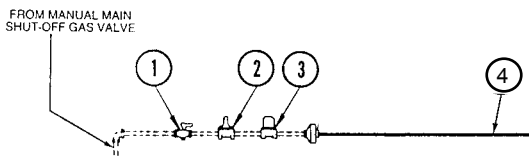
LGB - Series 1  
Main Gas Train Control Parts  
Natural Gas



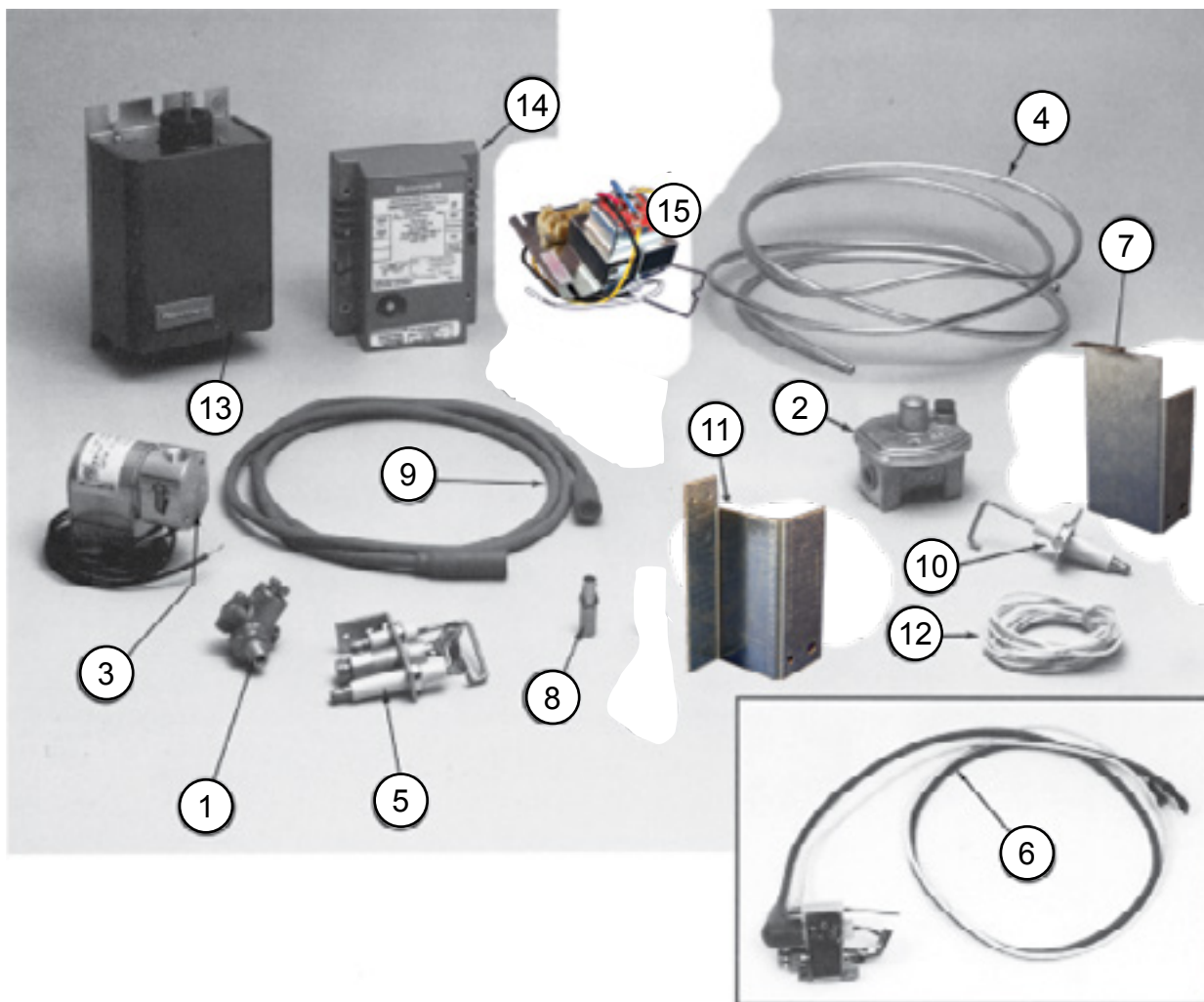
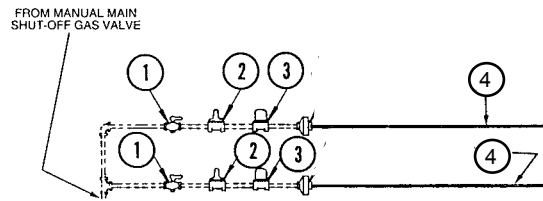
| Fig. No. | Part No.    | Description  |
|----------|-------------|--|
| 1        | 511-246-325 | Manual-Main Shut-off Gas Valve, 1" N.P.T., With Downstream Pressure Tapping, 1/8" N.P.T.   |
|          | 511-246-330 | Manual-Main Shut-off Gas Valve, 1 1/4" N.P.T., With Downstream Pressure Tapping, 1/8" N.P.T.   |
|          | 511-246-300 | Manual-Main Shut-off Gas Valve, 1 1/2" N.P.T., With Downstream Pressure Tapping, 1/8" N.P.T.   |
|          | 511-246-305 | Manual-Main Shut-off Gas Valve, 2" N.P.T., With Downstream Pressure Tapping, 1/8" N.P.T.   |
| 2        | 383-300-425 | Gas Valve Conversion Kit, 1" N.P.T., 24 Volt, With 1/8" N.P.T. and 1/8" N.P.T. Downstream Pressure Tapping   |
|          | 383-300-426 | Gas Valve Conversion Kit, 1 1/4" N.P.T., 24 Volt, With 1/8" N.P.T. and 1/8" N.P.T. Downstream Pressure Tapping   |
|          | 383-300-427 | Gas Valve Conversion Kit, 1 1/2" N.P.T., 24 Volt, With 1/8" N.P.T. and 1/8" N.P.T. Downstream Pressure Tapping   |
| 3        | 511-044-214 | Combination Gas Control Valve, 1" N.P.T., 24 Volt, With Low Fire Operator, High Fire Operator, Main Pressure Regulator and 1/8" N.P.T. Downstream Pressure Tapping     |
|          | 511-044-215 | Combination Gas Control Valve, 1 1/4" N.P.T., 24 Volt, With Low Fire Operator, High Fire Operator, Main Pressure Regulator and 1/8" N.P.T. Downstream Pressure Tapping |
|          | 511-044-216 | Combination Gas Control Valve, 1 1/2" N.P.T., 24 Volt, With Low Fire Operator, High Fire Operator, Main Pressure Regulator and 1/8" N.P.T. Downstream Pressure Tapping |

# LGB - Series 1 - Universal Control System - Natural Gas IRI / FM Pilot Gas Control Train / Flame Sensing Parts

**IRA AND FM  
PILOT TRAIN GAS PIPING DIAGRAM  
LGB-6 THROUGH LGB-12 BOILERS**



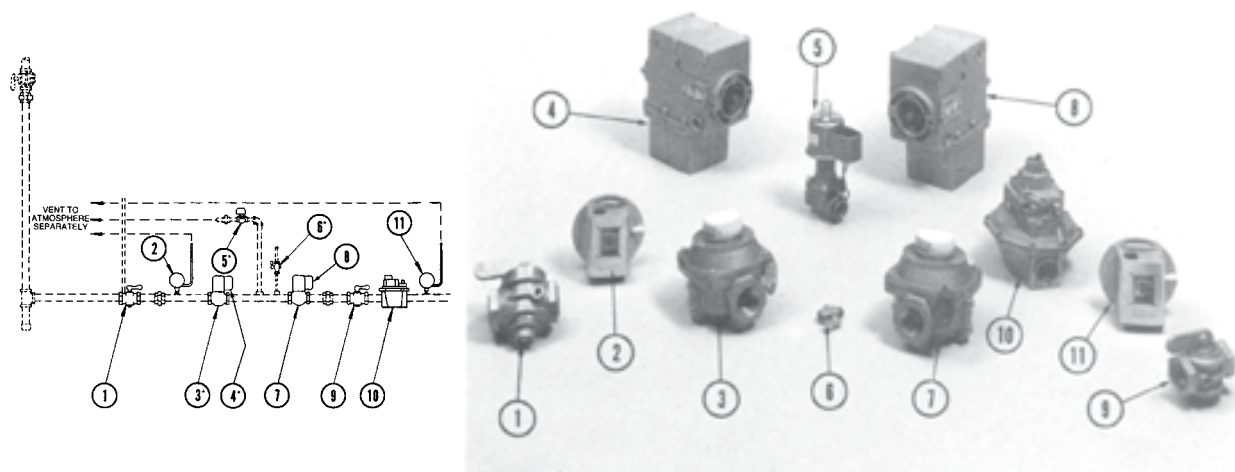
**IRA AND FM  
PILOT TRAIN GAS PIPING DIAGRAM  
LGB-13 THROUGH LGB-23 BOILERS**



**LGB - Series 1 - Universal Control System - Natural Gas  
IRI / FM Pilot Gas Control Train / Flame Sensing Parts**

| Fig. No.  | Part No.    | Description   | Qty Per Boiler Size |       |
|---|-------------|---|---------------------|-------|
|   |             |   | 6-12                | 13-23 |
| <b>IRI AND FM PILOT LINE GAS TRAIN COMPONENTS</b>               |             |   |                     |       |
| 1   | 511-246-345 | Pilot Line Manual Shut-off Gas Valve, ¼" N.P.T. Male x ¼" N.P.T. Female   | 1                   | 2     |
| 2   | 510-933-195 | Pilot Line Gas Pressure Regulating Valve, 3.5-7.0" W.C. Outlet Adjustment Range, ¼" N.P.T.  | 1                   | 2     |
| 3   | 511-044-040 | Pilot Line Solenoid Gas Valve, Quick Opening, 120 Volt, ¼" N.P.T.   | 1                   | 2     |
| 4   | 560-742-915 | Pilot Line Aluminum Tubing, ¼" O.D. x 100" Coil   | 1                   | 2     |
| <b>IRI AND FM PILOTS, FLAME SENSING AND IGNITION COMPONENTS</b> |             |   |                     |       |
| 5   | 511-330-181 | Combination Pilot Burner With Fame Rod, Ignition Electrode, and Natural Gas Orifice, 0.026" Dia.                                    | 1                   | 1     |
| 6   | 511-330-221 | NG PIN Pilot Burner Assembly With Pilot Burner, Orifice, Sensing Lead and Ignition Cable  | 1                   | 1     |
| 7   | 460-005-624 | Combination Pilot Burner Mounting Bracket   | 1                   | 2     |
| 8   | 591-850-140 | Rajah Connector, Female (Connects Sensing Cable To Q179C Pilot)   | 1                   | 1     |
| 9   | 591-391-798 | Ignition Cable, 36" Long, For Q179C Pilot   | 1                   | 1     |
| 10  | 511-724-274 | Main Fame Sensor  | 1                   | 1     |
| 11  | 423-300-420 | Main Fame Sensor Mounting Bracket   | 1                   | 1     |
| 12  | 590-849-236 | Fame Rod Cable For Main Fame Sensor and Q179C Pilot (Feet Required)   | 4                   | 4     |
| 13  | 511-802-625 | Solid State Ignition Transformer, 120 Volt/6,0000 Volt,   | 1                   | 1     |
| 14  | 511-330-097 | Pilot Proving Ignition/Sensing Control Module, 24 Volt, Q348A Pilot   | -                   | 1     |
|   |             |   | -                   | 1     |
| 15  | 510-312-166 | Control Transformer/Relay Receptacle 120/24 Volt, 40 VA, Plate Mounted, For Universal Control System (UCS) Ignition Sensing Control | -                   | 1     |
|   |             |   | -                   | 1     |

**LGB - Series 1**  
**IRI / FM Main Gas Control Train Parts**  
**For 5.5" W.C. Natural Gas Supply Pressure**



| Fig. No. | Part No.    | Description  | Boiler Size |
|----------|-------------|--|-------------|
| 1,9      | 511-246-330 | Manual Main Shut-off Gas Valve, 1¼" N.P.T., With ⅛" N.P.T. Female Pilot Take-Off Tapping and ¼" N.P.T. Female Downstream Pressure Tapping, Lubricated Type   | 5,6,7       |
|          | 511-246-300 | Manual Main Shut-off Gas Valve, 1½" N.P.T., With ⅛" N.P.T. Female Pilot Take-Off Tapping and ¼" N.P.T. Female Downstream Pressure Tapping, Lubricated Type   | 8           |
|          | 511-246-305 | Manual Main Shut-off Gas Valve, 2" N.P.T., With ⅛" N.P.T. Female Pilot Take-Off Tapping and ¼" N.P.T. Female Downstream Pressure Tapping, Lubricated Type  | 9 - 17      |
|          | 511-246-310 | Manual Main Shut-off Gas Valve, 2½" N.P.T., With ¼" N.P.T. Female Pilot Take-Off Tapping and ¼" N.P.T. Female Downstream Pressure Tapping, Lubricated Type   | 18 - 20     |
|          | 511-210-431 | Manual Main Shut-off Gas Valve, 3" N.P.T., With ¼" N.P.T. Female Pilot Take-Off Tapping and ¼" N.P.T. Female Downstream Pressure Tapping, Lubricated Type  | 21-23       |
| 2        | 511-624-550 | Low Gas Pressure Switch, SPDT, Manual Reset, Lockout On Pressure Fill, Diaphragm Type, 3.0-21.0" W.C. Range, 1.0-3.0" W.C. Differential, ¼" N.P.T. Female Connector, ⅛" N.P.T. Female Vent Connector, With Switch Position Indicator | All Sizes   |
| 3,7      | 510-744-315 | Motorized Gas Valve Small Body, With ¼" N.P.T. Female Downstream Pressure Tapping  | 5 - 17      |
| N/S      | 511-044-171 | 1¼" Pipe Flange Adapter For Gas Valve Body   | 5,6,7       |
|          | 511-044-172 | 1½" Pipe Flange Adapter For Gas Valve Body   | 8           |
|          | 511-044-173 | 2" Pipe Flange Adapter For Gas Valve Body  | 9 - 17      |
| 3,7      | 510-744-316 | Motorized Gas Valve Large Body, With ¼" N.P.T. Female Downstream Pressure Tapping  | 18 - 23     |
| Fig. No. | Part No.    | Description  | Boiler Size |
| N/S      | 511-044-174 | 2½" Pipe Flange Adapter for Gas Valve Body   | 18 - 20     |
|          | 511-044-175 | 3" Pipe Flange Adapter for Gas Valve Body  | 21 - 23     |

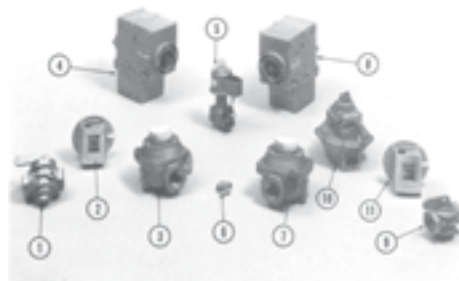
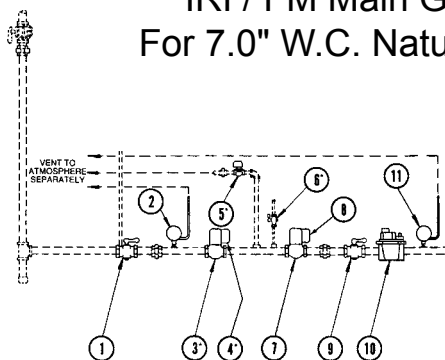
**LGB - Series 1**  
**IRI / FM Main Gas Control Train Parts Continued**  
**For 5.5" W.C. Natural Gas Supply Pressure**

|     |             |   |           |
|-----|-------------|---|-----------|
| 4,8 | 510-744-317 | Fluid Power Gas Valve Actuator, On/Off, 120 Volt  | 5 -23     |
| N/S | 511-044-176 | Adapter For Solenoid Vent Valve (Fits Small Valve Body)   | 5 - 17    |
|     | 511-044-177 | Adapter for Solenoid Vent Valve (Fits Large Valve Body)   | 18 - 23   |
| 5   | 511-046-340 | Solenoid Vent Valve, Normally Open, Quick Closing, 120 Volt, ¾" N.P.T.  | 5 - 8     |
|     | 511-046-342 | Solenoid Vent Valve, Normally Open, Quick Closing, 120 Volt, 1" N.P.T.  | 9 -17     |
|     | 511-046-344 | Solenoid Vent Valve, Normally Open, Quick Closing, 120 Volt, 1¼" N.P.T.   | 18 - 23   |
| 6   | 511-210-415 | Test Cock, ¼" N.P.T.  | All Sizes |
| 10  | 511-048-502 | Combination Gas Control Valve, 1¼" N.P.T., 120 Volt, With Low Fire Operator, High Fire Operator, and Main Pressure Regulator, ⅛" N.P.T. Downstream Pressure Tapping   | 5 - 7     |
|     | 511-048-501 | Combination Gas Control Valve, 1½ " N.P.T., 120 Volt, With Low Fire Operator, High Fire Operator, and Main Pressure Regulator, ⅛" N.P.T. Downstream Pressure Tapping  | 8         |
|     | 511-048-500 | Combination Gas Control Valve, 2" N.P.T., 120 Volt, With Low Fire Operator, High Fire Operator, and Main Pressure Regulator, ⅛" N.P.T. Downstream Pressure Tapping  | 9 - 23    |
| 11  | 511-624-555 | High Gas Pressure Switch, SPDT, Manual Reset, Lockout on Pressure Rise, Diaphragm Type, 3.0-21.0" W.C. Range, 1.0-3.0" W.C. Differential, ¼" N.P.T. Female Connector, ⅛" N.P.T. Female Vent Connector, With Switch Position Indicator | All Sizes |

## LGB - Series 1

### IRI / FM Main Gas Control Train Parts

#### For 7.0" W.C. Natural Gas Supply Pressure



| Fig. No. | Part No.    | Description  | Boiler Size |
|----------|-------------|--|-------------|
| 1,9      | 511-246-325 | Manual Main Shut-off Gas Valve, 1" N.P.T., With 1/8" N.P.T. Female Pilot Take-Off Tapping and 1/4" N.P.T. Female Downstream Pressure Tapping, Lubricated Type  | 5,6,7       |
|          | 511-246-330 | Manual Main Shut-off Gas Valve, 1 1/4" N.P.T., With 1/8" N.P.T. Female Pilot Take-Off Tapping and 1/4" N.P.T. Female Downstream Pressure Tapping, Lubricated Type  | 8,9,10      |
|          | 511-246-300 | Manual Main Shut-off Gas Valve, 1 1/2" N.P.T., With 1/8" N.P.T. Female Pilot Take-Off Tapping and 1/4" N.P.T. Female Downstream Pressure Tapping, Lubricated Type  | 11-18       |
|          | 511-246-305 | Manual Main Shut-off Gas Valve, 2" N.P.T., With 1/8" N.P.T. Female Pilot Take-Off Tapping and 1/4" N.P.T. Female Downstream Pressure Tapping, Lubricated Type  | 19-23       |
| 2        | 511-624-550 | Low Gas Pressure Switch, SPDT, Manual Reset, Lockout On Pressure Fill, Diaphragm Type, 3.0-21.0" W.C. Range, 1.0-3.0" W.C. Differential, 1/4" N.P.T. Female Connector, 1/8" N.P.T. Female Vent Connector, With Switch Position Indicator | All Sizes   |
| 3,7      | 510-744-315 | Motorized Gas Valve Small Body, With 1/4" N.P.T. Female Downstream Pressure Tapping  | 5 - 17      |
| N/S      | 511-044-170 | 1" Pipe Flange Adapter For Gas Valve Body  | 5,6,7       |
|          | 511-044-171 | 1 1/4" Pipe Flange Adapter For Gas Valve Body  | 8,9,10      |
|          | 511-044-172 | 1 1/2" Pipe Flange Adapter For Gas Valve Body  | 11-18       |
|          | 511-044-173 | 2" Pipe Flange Adapter For Gas Valve Body  | 19-23       |
| 4,8      | 510-744-317 | Fluid Power Gas Valve Actuator, On/Off, 120 Volt   | 5 -23       |
| N/S      | 511-044-176 | Adapter For Solenoid Vent Valve (Fits Small Valve Body)  | All sizes   |
| 5        | 511-046-340 | Solenoid Vent Valve, Normally Open, Quick Closing, 120 Volt, 3/4" N.P.T.   | 5 - 13      |
|          | 511-046-342 | Solenoid Vent Valve, Normally Open, Quick Closing, 120 Volt, 1" N.P.T.   | 14-23       |
| 6        | 511-210-415 | Test Cock, 1/4" N.P.T.   | All Sizes   |
| 10       | 511-048-503 | Combination Gas Control Valve, 1" N.P.T., 120 Volt, With Low Fire Operator, High Fire Operator, and Main Pressure Regulator, 1/8" N.P.T. Downstream Pressure Tapping   | 5,6,7       |
| Fig. No. | Part No.    | Description  | Boiler Size |
| 10       | 511-048-502 | Combination Gas Control Valve, 1 1/4" N.P.T., 120 Volt, With Low Fire Operator, High Fire Operator, and Main Pressure Regulator, 1/8" N.P.T. Downstream Pressure Tapping   | 8 -10       |
|          | 511-048-501 | Combination Gas Control Valve, 1 1/2" N.P.T., 120 Volt, With Low Fire Operator, High Fire Operator, and Main Pressure Regulator, 1/8" N.P.T. Downstream Pressure Tapping   | 11-13       |
|          | 511-048-500 | Combination Gas Control Valve, 2" N.P.T., 120 Volt, With Low Fire Operator, High Fire Operator, and Main Pressure Regulator, 1/8" N.P.T. Downstream Pressure Tapping   | 14-23       |

LGB - Series 1  
 IRI / FM Main Gas Control Train Parts Continued  
 For 7.0" W.C. Natural Gas Supply Pressure

|     |                                       |  |           |
|-----|---------------------------------------|--|-----------|
| 11  | 511-624-555                           | High Gas Pressure Switch, SPDT, Manual Reset, Lockout On Pressure Rise, Diaphragm Type, 3.0- 21.0" W.C. Range, 1.0-3.0" W.C. Differential, ¼" N.P.T. Female Connector, ⅛" N.P.T. Female Vent Connector, With Switch Position Indicator | All Sizes |
| 3,7 | <b>Not Available From Weil Mclain</b> | Hydramotor Gas Valve Body, With Parabolic Guide 1 ¼" N.P.T. Rated For Closure Against 5.0 PSIG Inlet Pressure, ¼" N.P.T. Female Downstream Pressure Tapping  | 8         |
|     | 510-744-332                           | Hydramotor Gas Valve Body, With Parabolic Guide 1½" N.P.T., Rated For Closure Against 5.0 PSIG Inlet Pressure, ¼" N.P.T. Female Downstream Pressure Tapping  | 11-13     |
|     | 510-744-334                           | Hydramotor Gas Valve Body, With Parabolic Guide, 2" N.P.T., Rated For Closure Against 5.0 PSIG Inlet Pressure, ¼" N.P.T. Female Downstream Pressure Tapping  | 14-23     |
| 4,8 | <b>Not Available From Weil Mclain</b> | Hydramotor Gas Valve Actuator, 120 Volt, 13 Second Opening Time, On/Off  | All Sizes |
|     |                                       | Hydramotor Gas Valve Actuator, 120 Volt, Low/High/Off  | All Sizes |
| 5   | 511-046-340                           | Solenoid Vent Valve, Normally Open, Quick Closing, 120 Volt, ¾" N.P.T.   | 6-13      |
|     | 511-046-342                           | Solenoid Vent Valve, Normally Open, Quick Closing, 120 Volt, 1" N.P.T.   | 14-23     |
| 6   | 511-210-415                           | Test Cock, ¼" N.P.T.   | All Sizes |

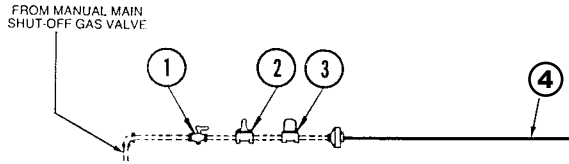
**LGB - Series 1**  
**IRI / FM Main Gas Control Train Parts Continued**  
**For 7.0" W.C. Natural Gas Supply Pressure**

| Fig. No. | Part No.    | Description   | Boiler Size |
|----------|-------------|---|-------------|
| 10       | 511-048-503 | Combination Gas Control Valve, 1" N.P.T., 120 Volt, With Low Fire Operator, High Fire Operator, and Main Pressure Regulator, 1/8" N.P.T. Downstream Pressure Tapping  | 6-7         |
|          | 511-048-502 | Combination Gas Control Valve, 1 1/4" N.P.T., 120 Volt, With Low Fire Operator, High Fire Operator, and Main Pressure Regulator, 1/8" N.P.T. Downstream Pressure Tapping  | 8-10        |
|          | 511-048-501 | Combination Gas Control Valve, 1 1/2" N.P.T., 120 Volt, With Low Fire Operator, High Fire Operator, and Main Pressure Regulator, 1/8" N.P.T. Downstream Pressure Tapping  | 11-13       |
|          | 511-048-500 | Combination Gas Control Valve, 2" N.P.T., 120 Volt, With Low Fire Operator, High Fire Operator, and Main Pressure Regulator, 1/8" N.P.T. Downstream Pressure Tapping  | 14-23       |
| 8        | 511-624-555 | High Gas Pressure Switch, SPDT, Manual Reset, Lockout On Pressure Rise, Diaphragm Type, 3.0-21.0" W.C. Range, 1.0-3.0" W.C. Differential, 1/4" N.P.T. Female Connector, 1/8" N.P.T. Female Vent Connector, With Switch Position Indicator | All Sizes   |
| N/S      | 510-933-197 | Regulator 1"  | 6-7         |
|          | 510-933-199 | Regulator 1 1/4"  | 8-10        |
|          | 510-933-201 | Regulator 1 1/2"  | 11-13       |
|          |             | Regulator 2"  | 14-23       |

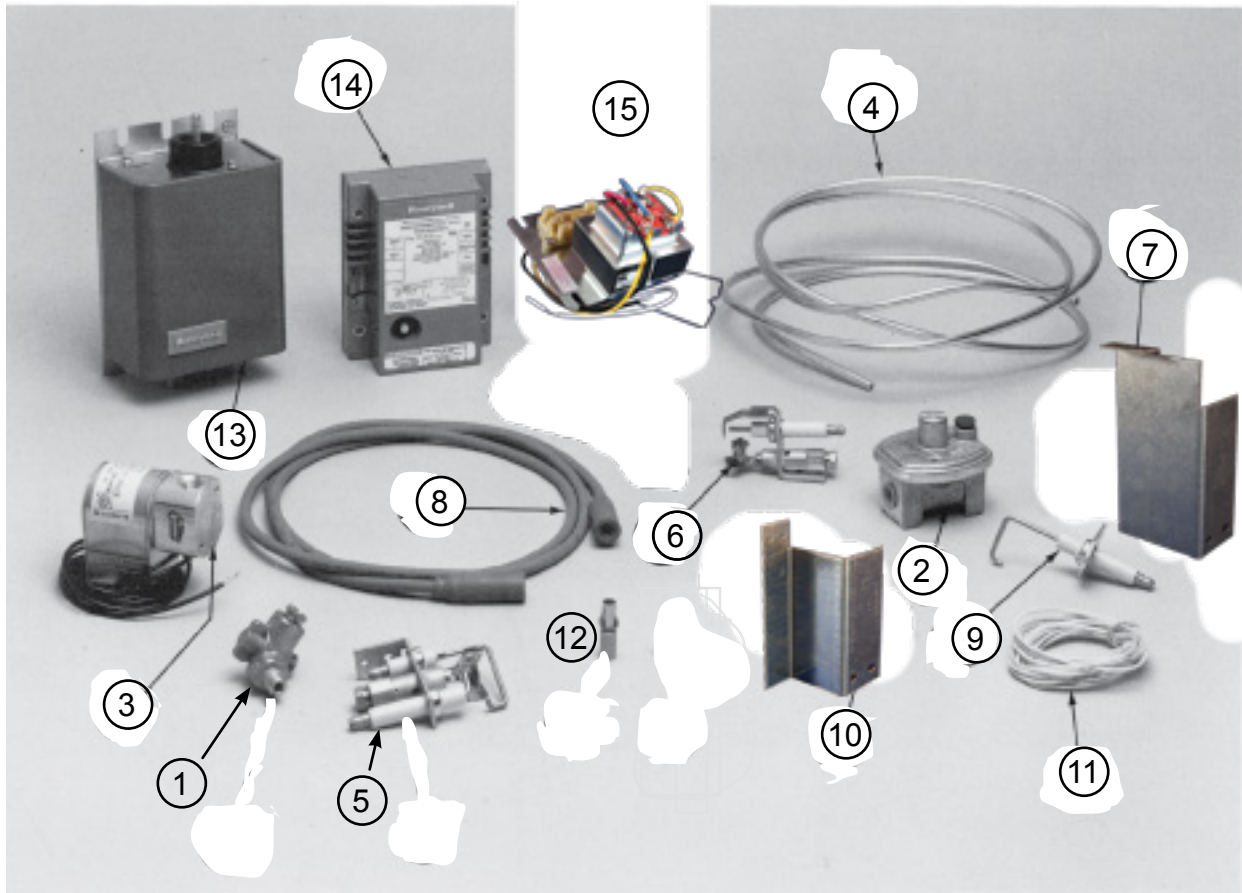
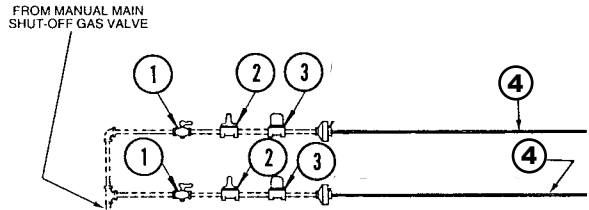


# LGB - Series 1 -Universal Control System - Natural Gas IRI / FM Pilot Gas Control Train / Flame Sensing Parts

**IRA AND FM  
PILOT TRAIN GAS PIPING DIAGRAM  
LGB-6 THROUGH LGB-12 BOILERS**



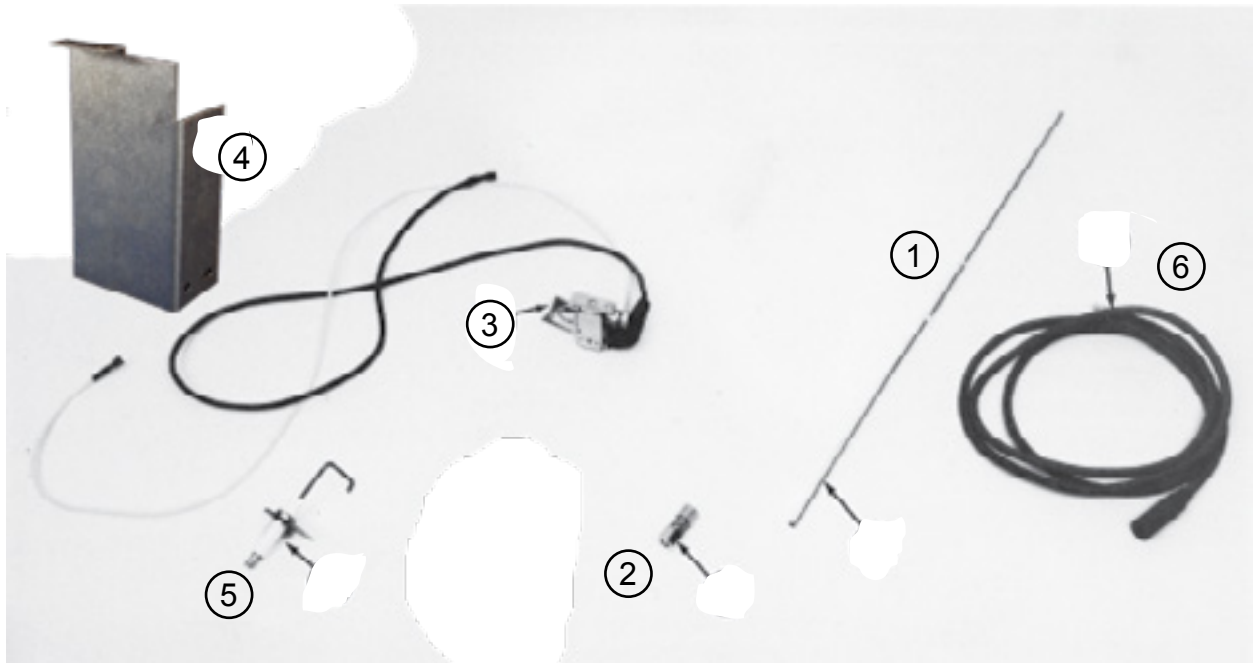
**IRA AND FM  
PILOT TRAIN GAS PIPING DIAGRAM  
LGB-13 THROUGH LGB-23 BOILERS**



## LGB - Series 1 - Universal Control System - Natural Gas IRI / FM Pilot Gas Control Train / Flame Sensing Parts

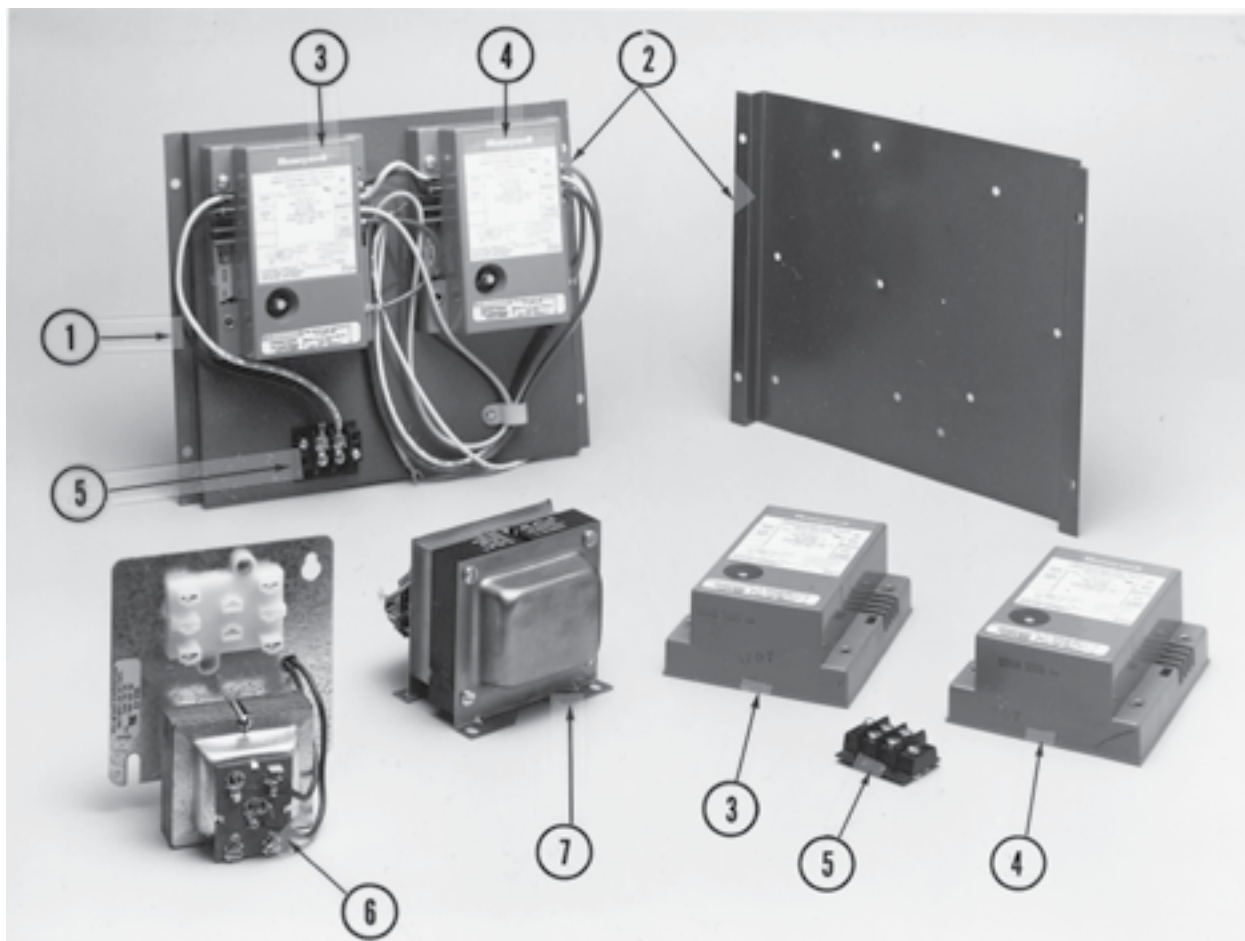
| Fig. No.  | Part No.    | Description  | Qty Per Boiler Size |       |
|---|-------------|--|---------------------|-------|
|   |             |  | 6-12                | 13-23 |
| <b>IRI And FM Pilot Line Gas Train Components</b>               |             |  |                     |       |
| 1   | 511-246-345 | Pilot Line Manual Shut-off Gas Valve, ¼" N.P.T. Male x ¼" N.P.T. Female  | 1                   | 2     |
| 2   | 510-933-195 | Pilot Line Gas Pressure Regulating Valve, 3.5-7.0" W.C. Outlet Adjustment Range, ¼" N.P.T.   | 1                   | 2     |
| 3   | 511-044-040 | Pilot Line Solenoid Gas Valve, Quick Opening, 120 Volt, ¼" N.P.T.  | 1                   | 2     |
| 4   | 560-742-915 | Pilot Line Aluminum Tubing, ¼" O.D. x 100" Coil  | 1                   | 2     |
| <b>IRI And FM Pilots, Flame Sensing And Ignition Components</b> |             |  |                     |       |
| 5   | 511-330-181 | Combination Pilot Burner With Fame Rod, Ignition Electrode, and Natural Gas Orifice, 0.026" Dia.   | 1                   | 1     |
| 6   | 511-330-170 | Combination Pilot Burner With Ignition Sensing Electrode, Natural Gas Orifice and Ignition Wire  |                     | 1     |
| 7   | 460-005-624 | Combination Pilot Burner Mounting Bracket  | 1                   | 2     |
| 8   | 591-391-798 | Ignition Cable, 36" Long, For Q179C Pilot  | 1                   | 1     |
| 9   | 511-724-274 | Main Fame Sensor   | 1                   | 1     |
| 10  | 423-300-420 | Main Fame Sensor Mounting Bracket  | 1                   | 1     |
| 11  | 590-849-236 | Flame Rod Cable For Main Fame Sensor and Q179C Pilot (Feet Required)   | 4'                  | 4'    |
| 12  | 591-850-140 | Rajah Connector, Female (Connects Sensing Cable To Q179C Pilot)  | 1                   | 1     |
| 13  | 511-802-625 | Solid State Ignition Transformer, 120 Volt/6,000 Volt  | 1                   | 1     |
| 14  | 510-811-456 | S86H Conversion to UCS Kit (Includes: Control Panel, 2 Ignition/Sensing Control Modules, Pilot Burner Assembly, Wiring Harness and Ignition Cable) | -                   | 1     |
| 15  | 510-312-166 | Control Transformer/Relay Receptacle 120/24 Volt, 40 VA, Plate Mounted, for Universal Control System (UCS) Ignition Sensing Control                | -                   | 1     |
|   |             |  | -                   | 1     |

LGB - Series 1 - Universal Control System - Natural Gas  
Pilot / Flame Sensing Control Parts



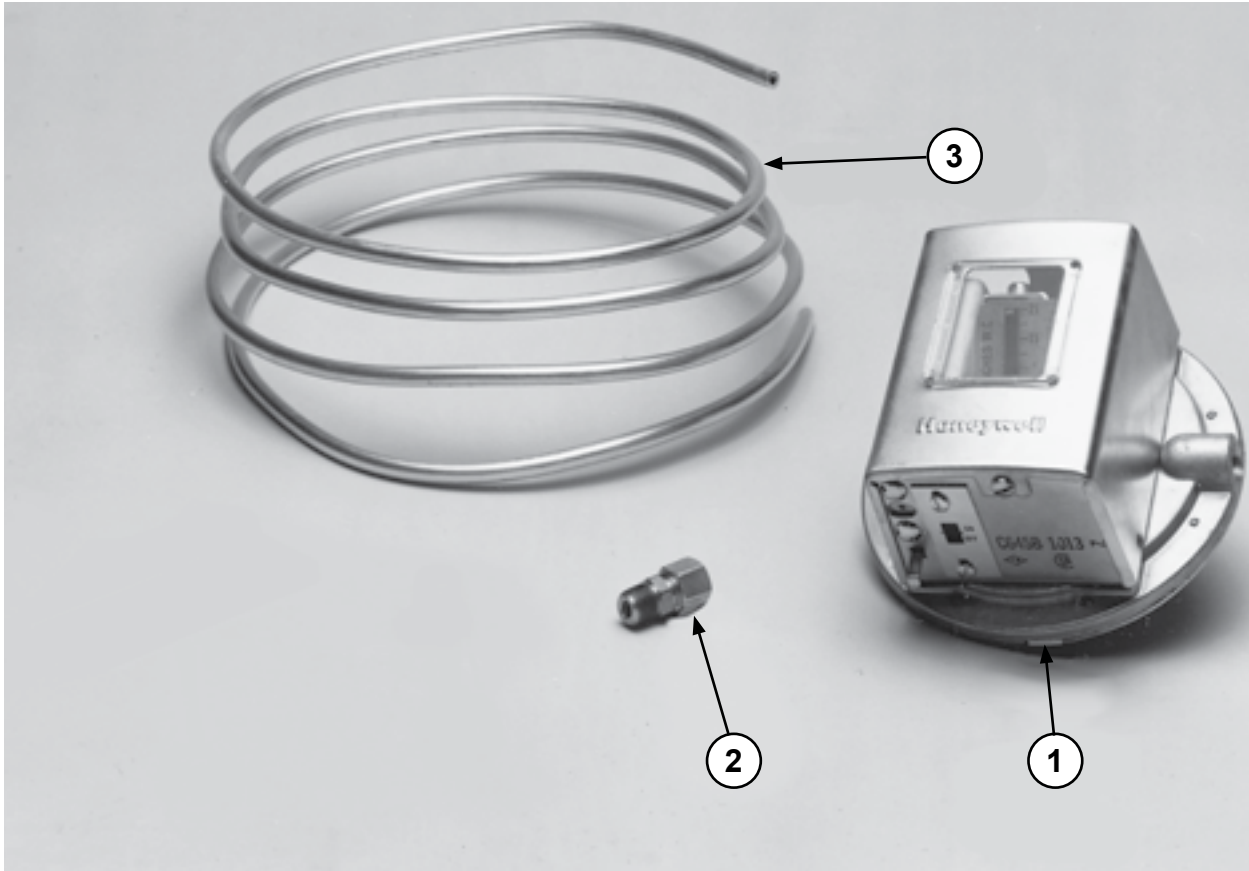
| Fig. No. | Part No.    | Description  | 6-12 | 13-23 |
|----------|-------------|--|------|-------|
| 1        | 560-742-880 | Pilot Line Aluminum Tubing, 1/4" Dia. x 2" Long  | 1    | 2     |
| 2        | 561-643-450 | Pilot Line Union, 1/4" CC (Purchase Locally)   | 1    | 2     |
| 3        | 511-330-221 | NG PIN Pilot Burner Assembly With Pilot Burner, Orifice, Sensing Lead and Ignition Cable | 1    | 2     |
| 4        | 460-005-624 | Combination Pilot Burner Mounting Bracket  | 1    | 2     |
| 5        | 511-724-274 | Main Fame Sensor   | 1    | 2     |
| 6        | 591-391-790 | Sensing Cable For Main Fame Sensor, 36" Long   | 1    | 2     |

LGB - Series 1 - Natural Gas  
 Flame Guardian® WFG Electronic Control System  
 Ignition / Sensing Control Module Parts

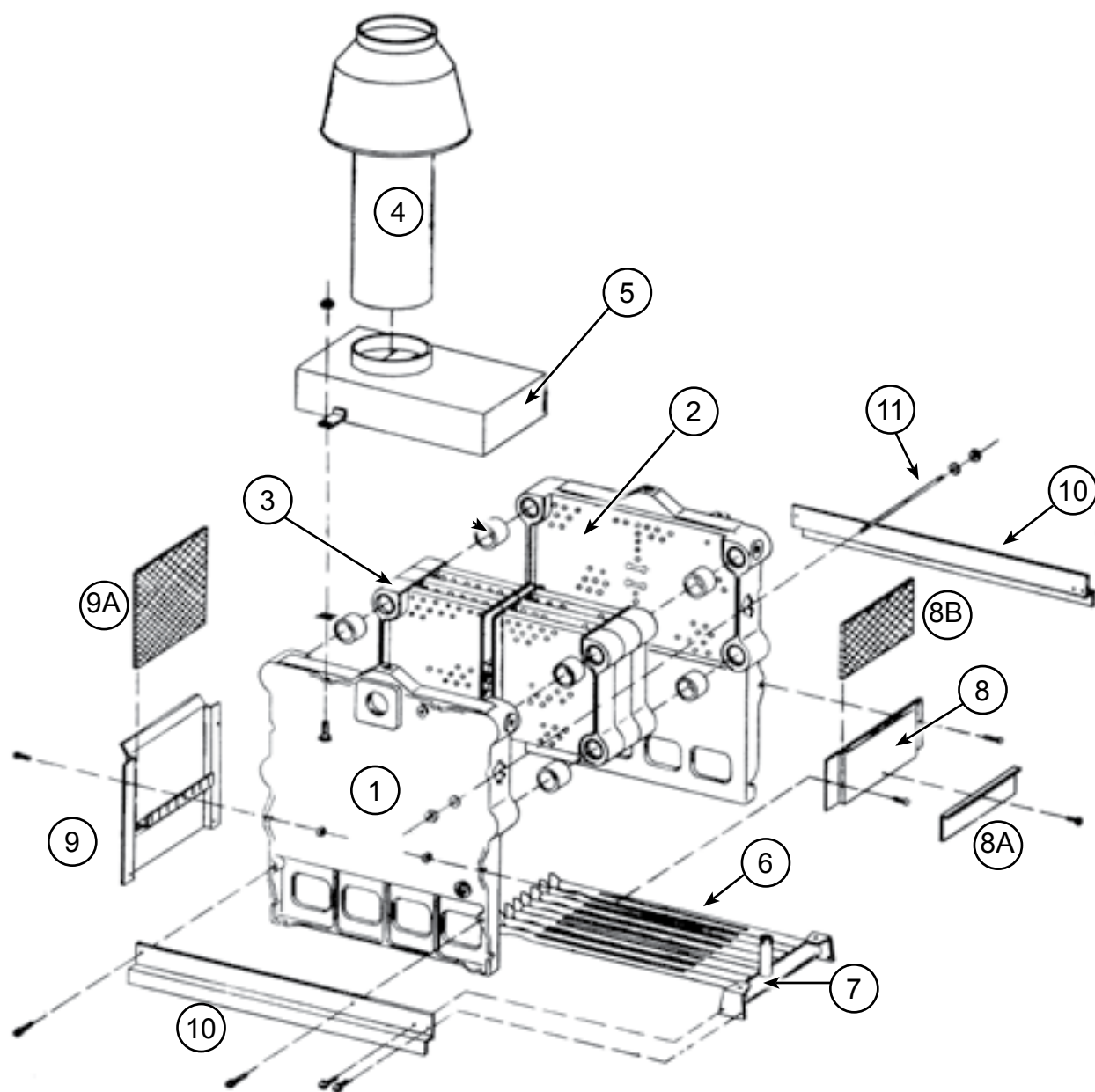


| Fig. No. | Part No.    | Description  | Quantity/<br>Boiler Base |
|----------|-------------|--|--------------------------|
| 1        | 510-811-456 | Flame Guardian WFG Ignition/Sensing Control Module (Complete) Conversion Kit From Honeywell S86H To Universal Control System | 1,2                      |
| 2        | 450-003-593 | Mounting System  | 1,2                      |
| 3 & 4    | 511-330-097 | Pilot Proving Ignition/Sensing Control Module, 24 Volt   | 1,2                      |
| 5        | 512-050-013 | Terminal Block   | 1,2                      |
| 6        | 510-312-166 | Combination Transformer-Relay Receptacle, 120/24 Volt, 40VA, Plate Mounted   | 1<br>1                   |
| 7        | 511-842-364 | Control Transformer, 120/24 Volt, 75 VA, Foot Mounted With Circuit Breaker   | 1<br>1                   |

## LGB - Series 1 - Natural Gas Gas Pressure Switch / Accessory Parts



| Fig. No. | Part No.    | Description  |
|----------|-------------|--|
| 1        | 511-624-555 | High Gas Pressure Switch, SPDT, Manual Reset, Lockout On Pressure Rise, Diaphragm Type 3.0-21.0" W.C. Range, 1.0-3.0" W.C. Differential, 1/4" N.P.T. Female Vent Connector, With Switch Position Indicator<br>(2 Required For LGB-21 Through LGB-23) |
| 2        | 561-643-451 | Union, 1/8" Male N.P.T. x 1/4" CC (4 Required For LGB-21 Through LGB-23) (Purchase Locally)  |
| 3        | 560-742-915 | Aluminum Tubing, 1/4" O.D. x 100" Roll   |
| N/S      | 511-330-229 | Pilot Switch Box - Replaces WR 3048-25 - Must Add Thermocouple   |

PFG - Series 1 Through 7  
Section / Base Assembly

## PFG - Series 1 Through 7 Section / Base Assembly Parts

| Fig. No. | Part No.    | Description   | Series |
|----------|-------------|---|--------|
| 1        | 312-804-405 | Left Hand End Section, 51113 *See Note 1  | 7      |
| 2        | 312-804-415 | Right Hand End Section, 51117   | 7      |
| 3        | 312-804-416 | Intermediate Section Half, 51125 (Requires 2 Per Intermediate Section)  | 7      |
| N/S      | 321-114-507 | Section Assembly, Complete With Well: PFG-5   | 1-7    |
|          | 321-114-508 | Section Assembly, Complete With Well: PFG-6   | 1-7    |
|          | 321-114-509 | Section Assembly, Complete With Well: PFG-7   | 1-7    |
|          | 321-114-510 | Section Assembly, Complete With Well: PFG-8   | 1-7    |
|          | 386-700-856 | Section Assembly Repair Kit (1 Per Joint) (Includes: Seals, Guide Ball Bearings, Silicone Sealant, Instructions) No Rope Silicone | 7      |
| 4        | 450-021-200 | Draft Hood, Vertical: PFG-5   | 1-7    |
|          | 450-021-201 | Draft Hood, Vertical: PFG-6   | 1-7    |
|          | 450-021-202 | Draft Hood, Vertical: PFG-7   | 1-7    |
|          | 450-021-205 | Draft Hood, Vertical: PFG-8   | 5-7    |
| N/S      | 591-638-851 | RTV 108 or Equivalent   | 1-7    |
| 5        | 450-014-819 | Collector Hood, PFG-5   | 4-7    |
|          | 450-014-820 | Collector Hood, PFG-6   | 4-7    |
|          | 450-014-821 | Collector Hood, PFG-7   | 4-7    |
|          | 450-014-822 | Collector Hood, PFG-8   | 4-7    |
| 6        | 512-200-022 | Burner, Tubular Steel, Regular  | 1-7    |
|          | 512-200-023 | Burner, Tubular Steel With Pilot Bracket  | 1-7    |
| 7        | 591-125-820 | Manifold: PFG-5   | 1-7    |
|          | 591-125-821 | Manifold: PFG-6   | 1-7    |
|          | 591-125-822 | Manifold: PFG-7   | 1-7    |
|          | 591-125-823 | Manifold: PFG-8   | 1-7    |
| 8        | 452-800-500 | Front Base Panel PFG-5  | 1-7    |
|          | 452-800-501 | Front Base Panel PFG-6  | 1-7    |
|          | 452-800-502 | Front Base Panel PFG-7  | 1-7    |
|          | 452-800-503 | Front Base Panel PFG-8  | 1-7    |
| N/S      | 560-529-055 | Main Burner Orifice (Natural) No. 37 Drill  | 1-7    |
|          | 560-529-056 | Main Burner Orifice (Propane) 1.65mm Drill  | 1-7    |
| 9        | 452-800-580 | Base Back Panel PFG-5   | 1-7    |
|          | 452-800-581 | Base Back Panel PFG-6   | 1-7    |
|          | 452-800-582 | Base Back Panel PFG-7   | 1-7    |
|          | 452-800-583 | Base Back Panel PFG-8   | 1-7    |

**\* Note 1: When replacing series 1-6 sections, entire block must be replaced. Series 1-6 used push nipples, no longer made. Series 7 uses elastomer seals.**

### Number Of Burners

**PFG-5: 7 Main Burners and 1 Burner With Pilot Bracket**

**PFG-6: 9 Main Burners and 1 Burner With Pilot Bracket**

**PFG-7: 11 Main Burners and 1 Burner With Pilot Bracket**

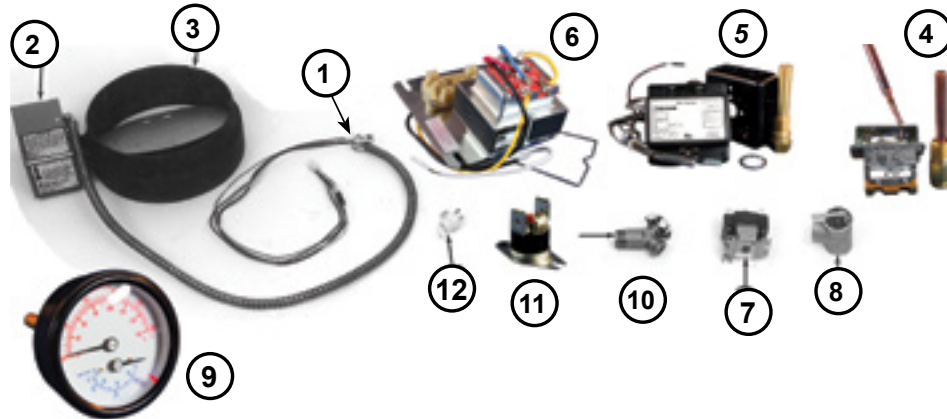
**PFG-8: 13 Main Burners and 1 Burner With Pilot Bracket**

**PFG - Series 1 Through 7**  
**Section / Base Assembly Parts Continued**

| Fig. No. | Part No.    | Description   | Series |
|----------|-------------|---|--------|
| N/S      | 561-928-224 | 5/8" Nut (2 Per Tie Rod)                                | 1-7    |
|          | 562-248-701 | 5/8" Washer (2 Per Tie Rod)                             | 1-7    |
|          | 591-706-214 | Flue Brush, 123 DMG                                     | 1-7    |
|          | 591-638-851 | Silicone Sealant RTV 700                                | 5-7    |
|          | 591-602-913 | Retort Cement (1 Quart)                                 | 1-7    |
|          | 460-003-700 | Radiation Plate (2 Per Joint)                           | 4-7    |
|          | 452-800-449 | Flue Baffle: PFG-5, 5A                                  | 4-7    |
|          | 452-800-451 | Flue Baffle: PFG-6                                      | 4-7    |
|          | 452-800-452 | Flue Baffle: PFG-7                                      | 4-7    |
|          | 452-800-453 | Flue Baffle: PFG-8                                      | 4-7    |
|          | 591-222-095 | Flue Baffle Insulation: PFG-5,5A                        | 4-7    |
|          | 591-222-096 | Flue Baffle Insulation: PFG-6                           | 4-7    |
|          | 591-222-097 | Flue Baffle Insulation: PFG-7                           | 4-7    |
|          | 591-222-098 | Flue Baffle Insulation: PFG-8                           | 4-7    |
|          | 412-800-115 | Jacket Replacement: PFG-5                               | 1-7    |
|          | 412-800-120 | Jacket Replacement: PFG-6                               | 1-7    |
|          | 412-800-125 | Jacket Replacement: PFG-7                               | 1-7    |
|          | 412-800-130 | Jacket Replacement: PFG-8                               | 1-7    |
|          | 569-928-020 | Jacket Hardware Kit                                     | 1-7    |
| 8A       | 452-800-540 | Base Access Panel PFG-5                                 | 1-7    |
|          | 452-800-541 | Base Access Panel PFG-6                                 | 1-7    |
|          | 452-800-542 | Base Access Panel PFG-7                                 | 1-7    |
|          | 452-800-543 | Base Access Panel PFG-8                                 | 1-7    |
| 8B       | 591-222-020 | Front Base Insulation: PFG-5                            | 1-7    |
|          | 591-222-021 | Front Base Insulation: PFG-6                            | 1-7    |
|          | 591-222-022 | Front Base Insulation: PFG-7                            | 1-7    |
|          | 591-222-025 | Front Base Insulation: PFG-8                            | 1-7    |
| 9A       | 591-222-030 | Back Base Insulation: PFG-5                             | 1-7    |
|          | 591-222-031 | Back Base Insulation: PFG-6                             | 1-7    |
|          | 591-222-032 | Back Base Insulation: PFG-7                             | 1-7    |
|          | 591-222-033 | Back Base Insulation: PFG-8                             | 1-7    |
| 10       | 452-800-655 | Right Hand/ Left Hand Base Rail (2 Required)            | 1-7    |
| 11       | 560-134-506 | Tie Rod Without Nut (4 Per Boiler): PFG-5, 5/8" X 15.5" | 1-7    |
|          | 560-134-507 | Tie Rod Without Nut (4 Per Boiler): PFG-6, 5/8" X 18.5" | 1-7    |
|          | 560-134-508 | Tie Rod Without Nut (4 Per Boiler): PFG-7, 5/8" X 21.5" | 1-7    |
|          | 560-134-509 | Tie Rod Without Nut (4 Per Boiler): PFG-8, 5/8" X 24.5" | 1-7    |
| N/S      | 592-002-030 | Touch Up Paint - Blue/Gray - Low E 4.5 oz Can           |        |



## PFG - Series 1 Through 7 Water Trim Parts



| Fig.  | Part No.    | Description  |
|---|-------------|--|
| <b>Components For PI/PID Models</b>         |             |  |
| 1   | 591-391-795 | Vent Damper Wiring Harness   |
| 2   | 510-512-337 | Vent Damper Motor Operator   |
| 3   | 381-800-477 | Vent Damper Assemble, 7" (PFG-5)   |
|   | 381-800-478 | Vent Damper Assemble, 8" (PFG-6)   |
|   | 381-800-445 | Vent Damper Assemble, 9" (PFG-7, 8)  |
| 4   | 510-312-250 | High Limit Control, SPST, Automatic Recycle, 140-240°F Range, 30° Fixed Differential With ¼" N.P.T. Well   |
| <b>24 Volt Standing Pilot Components</b>    |             |  |
| 5   | 510-312-150 | Combined Operating and Fixed High Limit Temperature Control, SPST, Automatic Recycle, Operating High Limit 140-240°F Range, Fixed High Limit 240°F With ½" N.P.T. Well |
| <b>Components Common To All PFG Boilers</b> |             |  |
| 6   | 510-312-166 | Combination Transformer-Relay Receptacle, 120/24 Volt, 40Va  |
| 7   | 510-350-223 | Plug-In DPST Relay With 24 Volt Holding Coil   |
| 8   | 383-600-091 | ASME Relief Valve, Set To Relieve At 30 PSIG, ¾" N.P.T. Female   |
| 9   | 510-218-097 | Combination Gauge, 2½" Dial, 0-60 PSIG, 60-260°F Long Shank, ¼" N.P.T. Back Mount  |
| 10  | 511-210-423 | Drain Valve, 1½" Shank, ¾" N.P.T.  |
| 11  | 510-300-013 | Spill Switch With Reset, 210°F (PFG-5 Only)  |
| 12  | 512-050-230 | Rollout Thermal Fuse Element, 228° C (PFG-5 Only)  |

# PFG - Series 3 Through 7 Standing Pilot

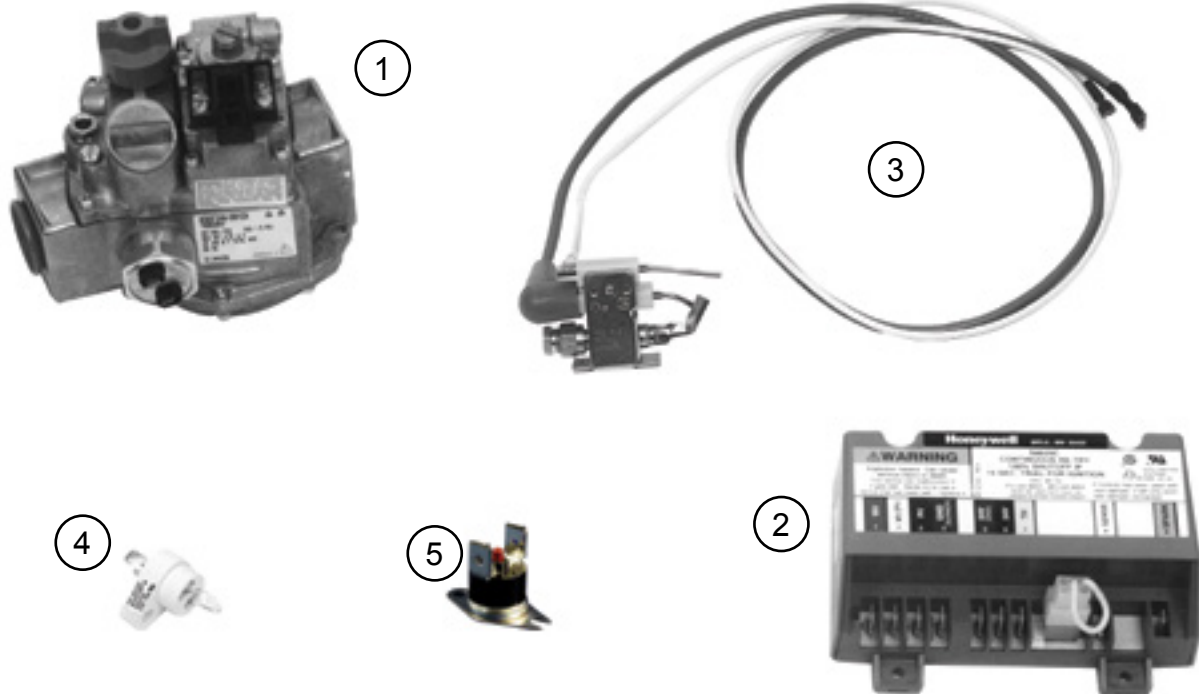


## PFG - Series 3 Through 7 Standing Pilot Parts

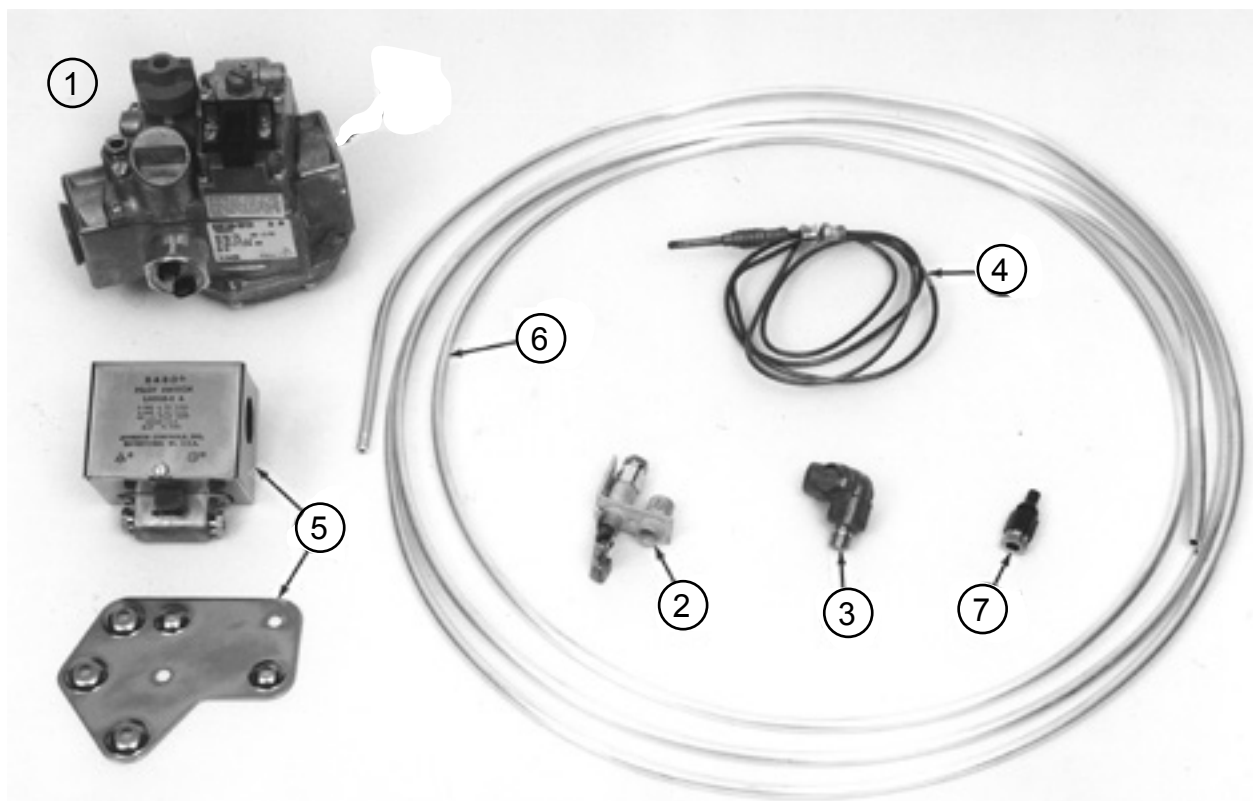
| Fig. No.                          | Part No.    | Description   |
|-----------------------------------|-------------|---|
| <b>Components For Natural Gas</b> |             |   |
| 1                                 |             | Combination Gas Control Valve, 511-044-219 Is Obsolete and Replaced By The Thermocouple To Thermopile Conversion Kit Below                                  |
|                                   | 510-811-641 | Thermopile Gas Valve Kit, ¾" X 1" N.P.T., 24 Volt, Natural Gas (PFG 6 & 7 Only, Series 3 - 7)   |
| 2                                 | 560-528-950 | Natural Gas Pilot Orifice, A26, .026 Diameter   |
| N/S                               | 510-811-461 | Thermocouple to Thermopile Conversion Kit, Natural Gas (PFG 6 & 7 Only, Series 3 - 7) (Includes: Natural Gas Valve, Lead Wire, Thermopile and Instructions) |
| <b>Components For Propane Gas</b> |             |   |
| 1                                 |             | Combination Gas Control Valve, 511-044-277 Is Obsolete and Replaced By The Thermocouple To Thermopile Conversion Kit Below                                  |
|                                   | 510-811-643 | Thermopile Gas Valve Kit, ¾" X 1" N.P.T., 24 Volt, Propane Gas (PFG 6 & 7 Only, Series 3 - 7)   |
| 2                                 | 560-528-957 | Propane Gas Pilot Orifice, 0.010 Diameter   |
| N/S                               | 510-811-462 | Thermocouple To Thermopile Conversion Kit, Propane Gas (PFG 6 & 7 Only, Series 3 - 7) Includes Propane Gas Valve, Lead Wire, Thermopile, and Instructions.  |
| <b>Common Components</b>          |             |   |
| 3                                 | 511-330-186 | Pilot Burner, Constant Burning Thermally Supervised   |
| 4                                 |             | Thermocouple With Spade Terminal Block, Is Obsolete and Replaced By The Thermocouple To Thermopile Conversion Kit   |
| 5                                 | 560-742-860 | Pilot Tubing, ⅛" O.D. Alum. X 22-3/4" Long With Compression Fittings  |
|                                   | 511-724-259 | Thermopile, 36" (PFG 6 & 7 Only, Series 3 - 7)  |
| N/S                               | 590-850-561 | Lead Wire, 5" (PFG 6 & 7 Only (Series 3 - 7)  |
|                                   | 591-391-879 | Wiring Harness PFG 6 & 7  |

# PFG - Series 4 Through 7 Intermittent Pilot

## Natural Gas



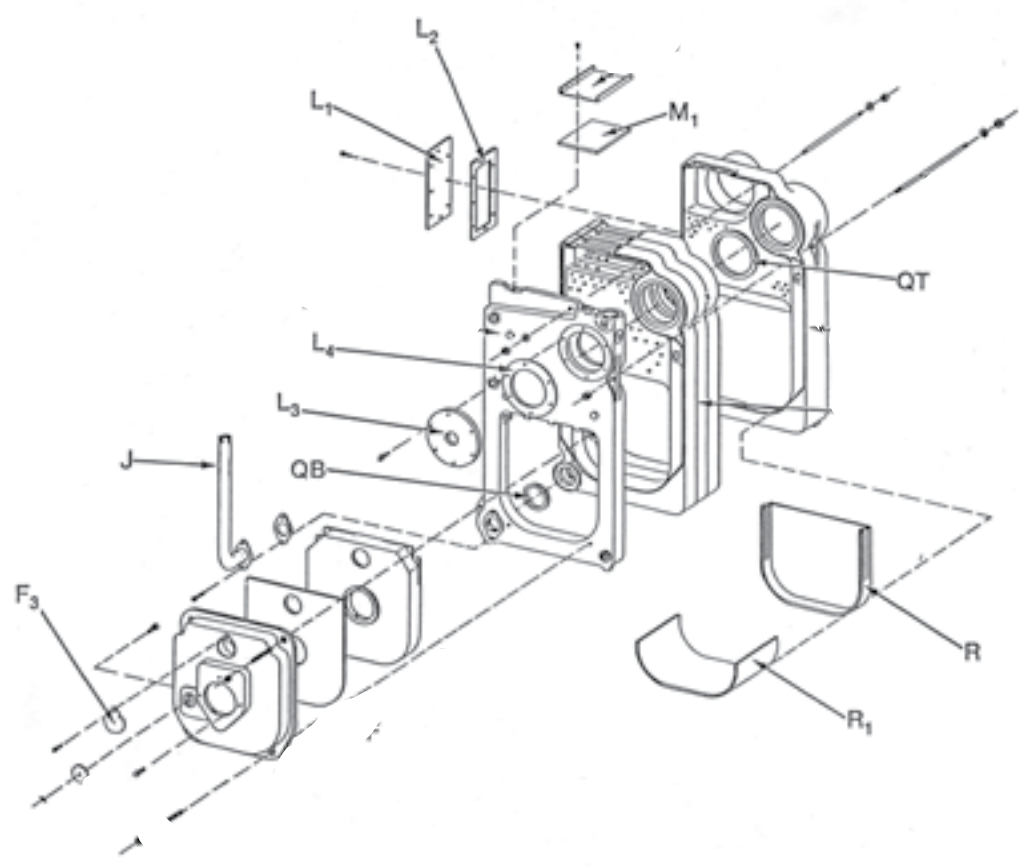
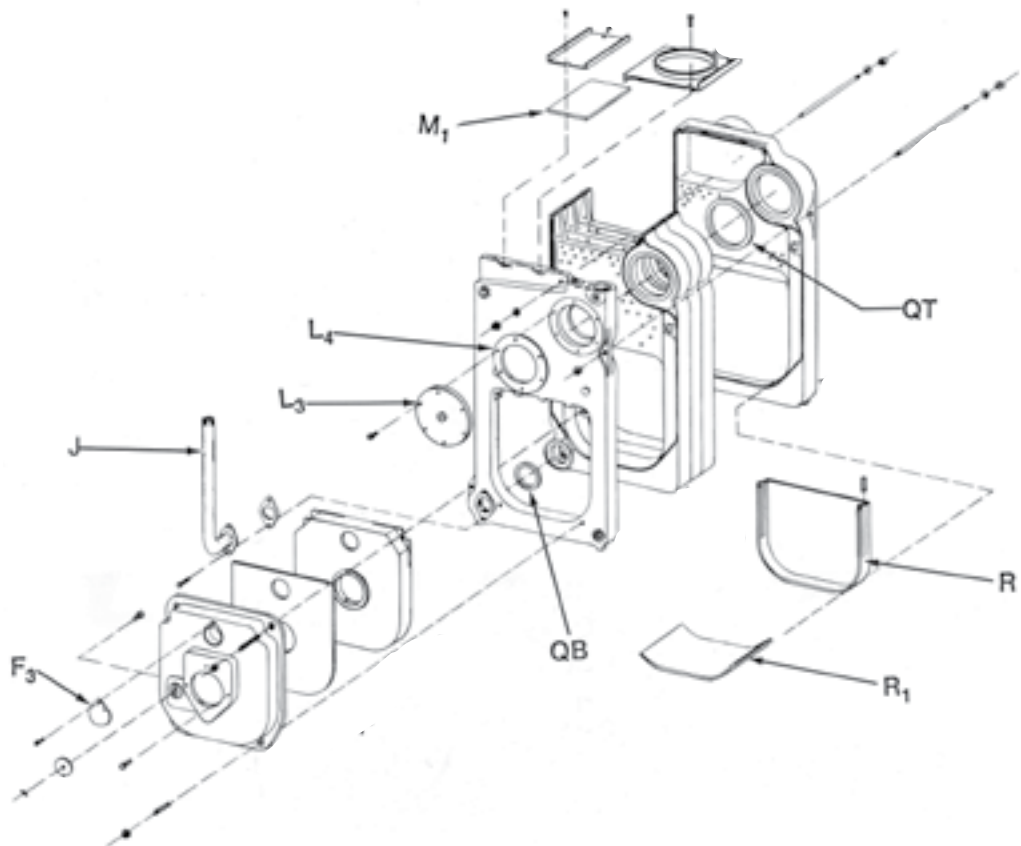
## Propane Gas



## PFG - Series 3 Through 7 Intermittent Pilot Parts

| Fig. No  | Part No.    | Description   |
|--|-------------|---|
| <b>Components For Natural Gas</b>  |             |   |
| 1  | 511-044-382 | *Combination Gas Valve, ¾" X ¾" N.P.T., 24 Volt, PF-5   |
|  | 511-044-286 | *Combination Gas Valve, ¾" X 1" N.P.T., 24 Volt, PFG-6/7  |
|  | 511-044-287 | *Combination Gas Valve, 1" X 1" N.P.T., 24 Volt, PFG-8  |
| 2  | 511-330-097 | Ignition-Sensing Control Module Without Damper Molex Jumper, Series 6 & 7                                 |
|  | 511-330-095 | Ignition-Sensing Control Module With Damper Molex Jumper, Series 4 & 5                                    |
| 3  | 511-330-221 | N/G PIN Pilot Burner Assembly With Pilot Burner, Orifice, Sensing Lead and Ignition Cable                 |
| N/S  | 511-330-170 | Combination Safety Pilot Burner With Ignition Sensing Electrode and Natural Gas Orifice-- <b>Series 4</b> |
| 4  | 512-050-230 | Thermal Fuse Element 229°   |
| 5  | 510-300-013 | Spill Switch With Reset 210° (PFG-5)  |
| <b>Components For Natural Gas Series 3 Only</b>                                  |             |   |
| N/S  | 511-330-104 | Pilot Burner w/ Igniter, Wire and Orifice- <b>Johnson Only</b>  |
|  | 511-330-163 | Pilot Assembly w/ Igniter/Sensor and orifice- <b>Johnson Only</b>   |
|  | 511-724-264 | Sensing Probe With Spade Terminal- <b>Johnson Only</b>  |
|  | 511-724-270 | Sense Wire, 30" Long- <b>Johnson Only</b>   |
|  | 560-742-860 | Pilot Tubing, ⅛" o.d. Alum. X 22 ¾" Long, With Comp. Fitting  |
|  | 591-391-798 | Ignition Sensing Cable, 36" Long- <b>Honeywell S86H Only</b>  |
| <b>Components For Propane Gas</b>  |             |   |
| 1  | 511-044-278 | *Combination Gas Control Valve, ¾" X 1" N.P.T., 24 Volt, PFG-6,7  |
|  | 511-044-279 | *Combination Gas Control Valve, 1" X 1" N.P.T., 24 Volt, PFG-8  |
| 2  | 511-330-222 | Pilot Assembly With Ignition Lead and Orifice   |
| 3  | 511-246-340 | Pilot Shut-off Valve, ⅛" N.P.T. X ¼" CC   |
| 4  | 511-724-245 | Thermocouple, 48"   |
| 5  | 511-330-229 | Pilot Switch Box  |
| 6  | 560-742-905 | Aluminum Tubing, ¼" O.D. X 60"  |
| 7  | 511-330-186 | Standing Pilot Burner N.P.T. Orifice  |
| N/S  | 560-528-957 | LP orifice For Pilot Burner (Above)   |
| <b>Components For Natural And Propane Gas</b>                                    |             |   |
|  | 591-391-878 | Wiring Harness PFG-5 PI   |
|  | 591-391-880 | Wiring Harness PFG-6,7,8 PI   |
|  | 510-811-405 | Conversion Kit: Natural To LP PFG 6 & 7 - SP Models Only  |
|  | 510-811-406 | Conversion Kit: Natural To LP PFG 6 & 7 - PI Models Only  |
|  | 510-811-407 | Conversion Kit: Natural To LP PFG 8 - PI Models Only  |
| <b>Conversion Kit For Honeywell S86H1121/Johnson G60PFL-1 (Natural Gas Only)</b> |             |   |
| N/S  | 510-811-457 | Conversion Kit Includes Control Module-UT-1003-510, Pilot Assembly, Wiring, and Instructions              |

P-68V / B-68V / A-68V / P-68 / B-68 / A-68  
Section Assembly



P-68V / B-68V / A-68V / P-68 / B-68 / A-68  
Section Assembly Parts

| Fig. No.  | Part No.    | Description  |
|---|-------------|--|
| <b>Sections and Burner Mounting Plate Are Obsolete and No Longer Available.</b> |             |  |
| F3  | 460-039-867 | Observation Port Shutter   |
| J   | 591-124-002 | Return Pipe Manifold   |
| N/S   | 590-317-535 | Gasket For Return Pipe Manifold  |
| L1  | 450-030-934 | Cover Plate For Heater Opening (Rectangular)   |
| L2  | 590-317-579 | Gasket For Cover Plate (Rectangular)   |
| L3  | 592-243-217 | Cover Plate For Heater Opening (Round) (P-68-WT) (P-68V) ¾" Hole   |
|   | 592-243-216 | Cover Plate For Heater Opening (Round) (A/68), P-68-S(T) (A & B-68V) 1½" Hole  |
| L4  | 590-317-495 | Gasket For Cover Plate (Round)   |
| N/S   | 560-340-577 | Tankless Stud and Nut, Rectangle Plate Requires 8, Round Plate Requires 6  |
| R   | 386-500-085 | Combustion Chamber Replacement Kit (Includes: Insulation Blanket, Back Refractory, Front Refractory, ⅜" X 5' Rope For Door, 4 Oz. Waterglass, Installation Instructions) |
| N/S   | 591-000-061 | Front Door Refractory  |
|   | 591-221-054 | Door Cerafelt (Between Plate and Refractory)   |
| R   | 591-000-064 | Back Refractory  |
| R1  | 591-221-236 | Refractory Blanket (Apply Using Waterglass, Fits All Sizes of Boiler)  |
| N/S   | 591-632-612 | Waterglass, 4 oz.  |
|   | 590-735-122 | ¼" Rope For Sections, 22¾" Long (4 Pieces Required Per Joint)  |
|   | 591-706-214 | Flue Brush, 123DMG   |
| M1  | 386-500-086 | Cleanout Plate Gasket Kit, For All Sizes of Boiler   |
| QB  | 592-800-010 | 3" Dia. Bottom Elastomer Seal (1 Per Joint)  |
| QT  | 592-800-007 | 6" Dia. Top Elastomer Seal (1 Per Joint)   |
| N/S   | 389-900-101 | Round Tankless Cover Plate Kit With 1½" N.P.T Tapping, 6 Studs with Nuts, and Tankless Gasket  |
|   | 389-900-102 | Round Tankless Cover Plate Kit With ¾" N.P.T Tapping, 6 Studs with Nuts, and Tankless Gasket   |
|   | 389-900-103 | Rectangular Tankless Cover Plate Kit With 8 Studs and Nuts and Tankless Gasket   |
|   | 590-735-105 | ⅜" X 5' Rope For Door Seal   |
|   | 592-002-030 | Touch Up Paint - Blue/Gray - Low E 4.5 oz Can  |

P-68V / B-68V / A-68V / P-68 / B-68 / A-68  
Water Trim Parts



| Fig. No.  | Part No.    | Description   | Boiler Size |
|---|-------------|---|-------------|
| <b>Water Trim Components Common To All 68 And 68V Water Boilers</b> |             |   |             |
| 1   | 510-218-099 | Combination Pressure-Temperature Gauge, 2½" Dial, 0 – 60 PSIG, 60-260°F Short Shank, Back Connection, ¼" N.P.T. | All         |
|   | 510-218-097 | Combination Pressure-Temperature Gauge, 2½" Dial, 0 – 60 PSIG, 60-260°F Long Shank, Back Connection, ¼" N.P.T.  | All         |
| 2   | 383-600-091 | ASME Pressure Relief Valve, Set To Relieve At 30 PSIG, ¾" N.P.T. Female Inlet                                   | All         |
|   |             |   | All         |



P-68V / B-68V / A-68V / P-68 / B-68 / A-68  
Water Trim Parts Continued

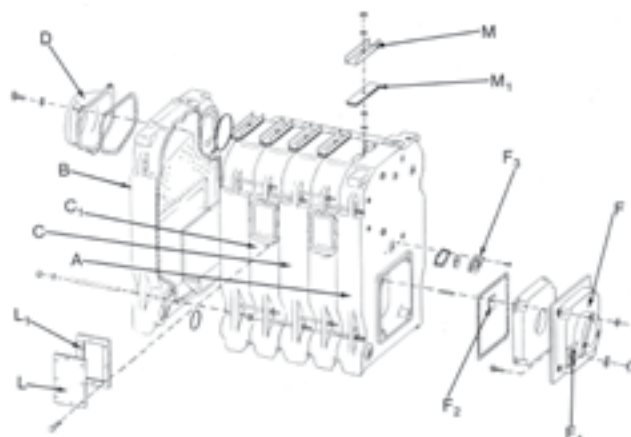
| Fig. No.   | Part No.    | Description   | Boiler Size     |
|--|-------------|---|-----------------|
| <b>Additional Water Trim Components For P-68 And P-68V Water Boilers</b> |             |   |                 |
| 3  | 511-210-423 | ¾" N.P.T. Drain Cock  | All             |
| 4  | 511-405-115 | Circulator, 1/12 H.P., 120/60/1 Motor, 1,750 R.P.M.                                       | All             |
| 5  | 381-354-526 | Circulator Hardware Kit (Includes: 1 Flange, 2 Bolts, 2 Nuts, Diamond Gasket, 1¼" N.P.T.) | All             |
| 6  | 590-317-543 | Circulator Gasket For Taco Circulators (Two Required)                                     | All             |
|  | 590-317-535 | Circulator Gasket For Bell & Gossett Circulators (Two Required)                           | All             |
| N/S  | 590-921-904 | Tankless Heater – Water Boiler (Includes: Heater, Gasket, Nuts And Studs)                 | 368,468         |
|  | 590-921-905 | Tankless Heater – Water Boiler (Includes: Heater, Gasket, Nuts And Studs)                 | 568,668         |
|  | 590-921-901 | Tankless Heater – Water Boiler (Includes: Heater, Gasket, Nuts And Studs)                 | 768,868,<br>968 |
|  | 560-340-577 | Tankless Heater Nut and Stud  |                 |

P-68V / B-68V / A-68V / P-68 / B-68 / A-68  
Steam Trim Parts



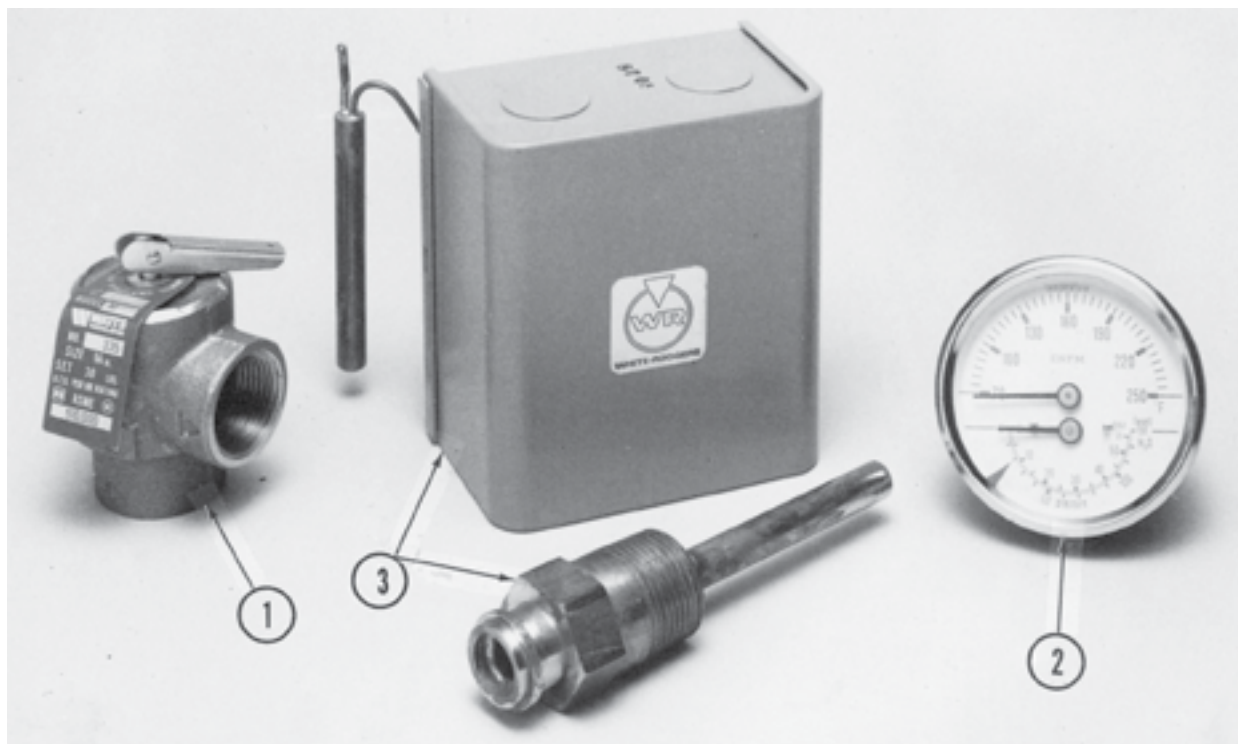
| Fig. No.  | Part No.    | Description   | Boiler Size |
|---|-------------|---|-------------|
| <b>Steam Trim Components Common To All 68 Steam Boilers</b>       |             |   |             |
| 1   | 560-640-696 | 90° Syphon, ¼" Brass Pipe   | ALL         |
| 2   | 383-600-106 | ASME Steam Safety Valve, Set to Relieve at 15 PSIG, Side Outlet, ¾" N.P.T. Male Inlet, 446 lbs/hr Capacity  | ALL<br>ALL  |
| 3   | 510-218-045 | Pressure Gauge, 0 – 30 PSIG, 2½" Dial, Back Connection, ¼" N.P.T.   | ALL         |
| 4   | 510-218-135 | Water Gauge Glass Cocks, Set ½" N.P.T.  | ALL         |
| 5   | 383-600-000 | Water Gauge Glass Kit, ⅝" x 7⅝" With Gaskets and Brass Washers  | ALL         |
| 6   | 563-334-580 | Water Gauge Glass Guard, 3/16" Dia. X 9⅜" Long (2 Required)   | ALL         |
| <b>Additional Steam Trim Components For B-68 And P-68 Boilers</b> |             |   |             |
| 7   | 510-312-135 | High Pressure Limit, 0 – 15 PSIG Adjustable, Subtractive Differential 1 – 8 PSIG, Adjustable, Open on High Pressure Switch Action   | ALL         |
| 8   | 510-312-209 | High Limit Temperature Control, SPST, Automatic Recycle, 140° - 240°F Range, 10° Fixed subtractive Differential, with ¾" N.P.T. Well (Furnished with Tankless Heater) On Boilers With Tankless. | ALL<br>ALL  |
| <b>Additional Steam Trim Components For P-68 Boilers</b>          |             |   |             |
| 9   | 511-114-494 | Float type Low Water Cut-off, With ½" N.P.T. Connections and a ¾" Blow-Down Valve   | 3,4,5,6,7   |
| N/S   | 590-921-903 | Tankless Heater – Steam Boiler (Includes: Heater, Gasket, Nuts and Studs.) For Boiler Sizes 368 Thru 968  | ALL         |
|   | 560-340-577 | Tankless Heater Nut and Stud  |             |

76  
Section Assembly Parts



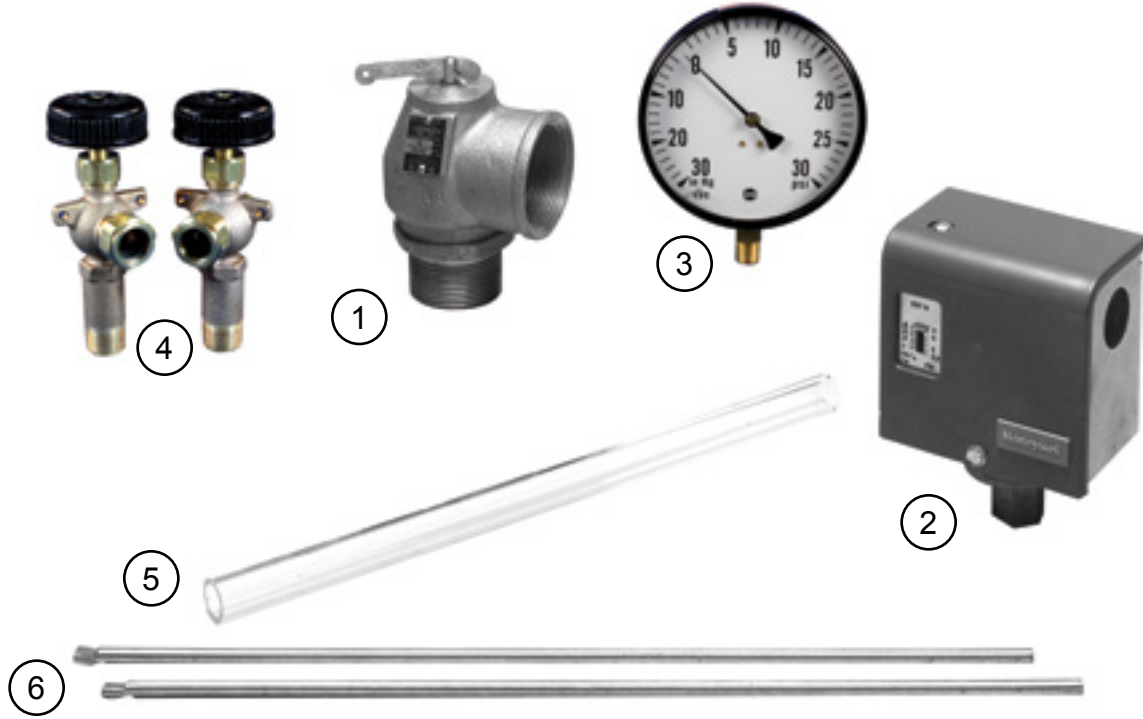
| Fig. No.  | Part No.    | Description  |
|---|-------------|--|
| <b>Sections and Burner Mounting Plates Are Obsolete and No Longer Available</b> |             |  |
| N/S   | 592-800-009 | 3½" Dia. Bottom Elastomer Seal (1 Per Joint)   |
|   | 592-800-008 | 7½" Dia. Top Elastomer Seal (1 Per Joint)  |
|   | 560-134-485 | ⅝" x 9" Draw Rod With Out Nut (4 Per Joint)  |
|   | 561-928-224 | ⅝" Nut (2 Per Draw Rod)  |
|   | 562-248-710 | ⅝" Washer (1 Per Draw Rod)   |
|   | 591-706-214 | Flue Brush, 123 DMG  |
|   | 590-735-150 | ⅜" Dia. Sealing Rope (1' For Observation Port Frame) – TP1000 Type MD-375  |
|   | 590-735-140 | Rope Fiberglass, ½" Diameter x 10' Per Joint, 5' For Door  |
| M   | 450-030-924 | Cleanout Plate (1 Per Joint)   |
| M1  | 591-221-270 | Gasket For Cleanout Plate (Apply Using Waterglass)   |
| N/S   | 591-632-612 | Waterglass, 4 oz.  |
|   | 591-641-850 | Construction Adhesive For Sealing Rope, 11oz. Tube   |
|   | 591-638-850 | Silicone Sealant, 10.3oz. Tube, RTV700   |
|   | 591-638-851 | Silicone Sealant, 3oz. Tube, RTV700  |
| L   | 450-030-934 | Cover Plate For Heater Opening (Rectangular)   |
| L1  | 590-317-579 | Gasket For Heater Cover Plate (Rectangular)  |
| N/S   | 560-340-577 | Tankless Nut and Stud  |
| N/S   | 591-000-062 | Front Refractory   |
| F2  | 562-650-105 | Refractory Retainer Clip-(4 Required)  |
| F1  | 460-039-898 | Secondary Air Shutter  |
| F3  | 385-600-099 | Observation Port Assembly (Includes: Frame, Rope, Gasket, Plugs and Sight Glass)   |
| N/S   | 591-419-199 | Sight Glass  |
|   | 590-317-580 | Washer For Sight Glass   |
|   | 591-221-240 | Back Refractory Blanket (Apply Using Waterglass)   |
|   | 385-600-097 | Back Refractory Blanket Kit (Includes: Blanket, Waterglass, ½" Rope, Construction Adhesive, Instruction Sheet and Warning Sheet) |
|   | 592-002-030 | Touch Up Paint - Blue/Gray - Low E 4.5 oz Can  |

76  
Water Trim / Control Parts



| Fig. No. | Part No.    | Description  | 76 Ser. 1 Boiler Size |
|----------|-------------|--|-----------------------|
| 1        | 383-600-091 | ASME Pressure Relief Valve, Set To Relieve At 30 PSIG, 3/4" N.P.T. Female Inlet, Brass Side Outlet   | 4 - 7                 |
|          |             | ASME Pressure Relief Valve, Set To Relieve At 30 PSIG, 3/4" N.P.T. Female Inlet, Brass Side Outlet   | 4 - 7                 |
|          | 383-600-063 | ASME Pressure Relief Valve, Set To Relieve At 30 PSIG, 3/4" N.P.T. Female Inlet x 1" Female Side Outlet, Rated At 925,000 BTU/hr.  | 7 - 9                 |
| 2        | 510-218-099 | Combination Pressure-Temperature Gauge, 2 1/2" Dial, 0 - 60 PSIG, 60 - 260°F, Short Shank, Back Connection, 1/4" N.P.T.  | ALL SIZES             |
| 3        | 510-312-065 | Combination Operating and High Limit Control With Well, Operating Limit: 100-220° Range With 10-35°F Adjustable Subtractive Differential. High Limit: 140-240° Adjustable With 10°F Fixed Subtractive Differential | ALL SIZES             |
| N/S      | 590-921-903 | Tankless Heater - Water and Steam Boiler (Includes: Heater, Tankless Aquastat (Honeywell L4080B-1311), Gasket, Nuts and Studs.)  |                       |
|          | 560-340-577 | Tankless Nut and Stud  |                       |

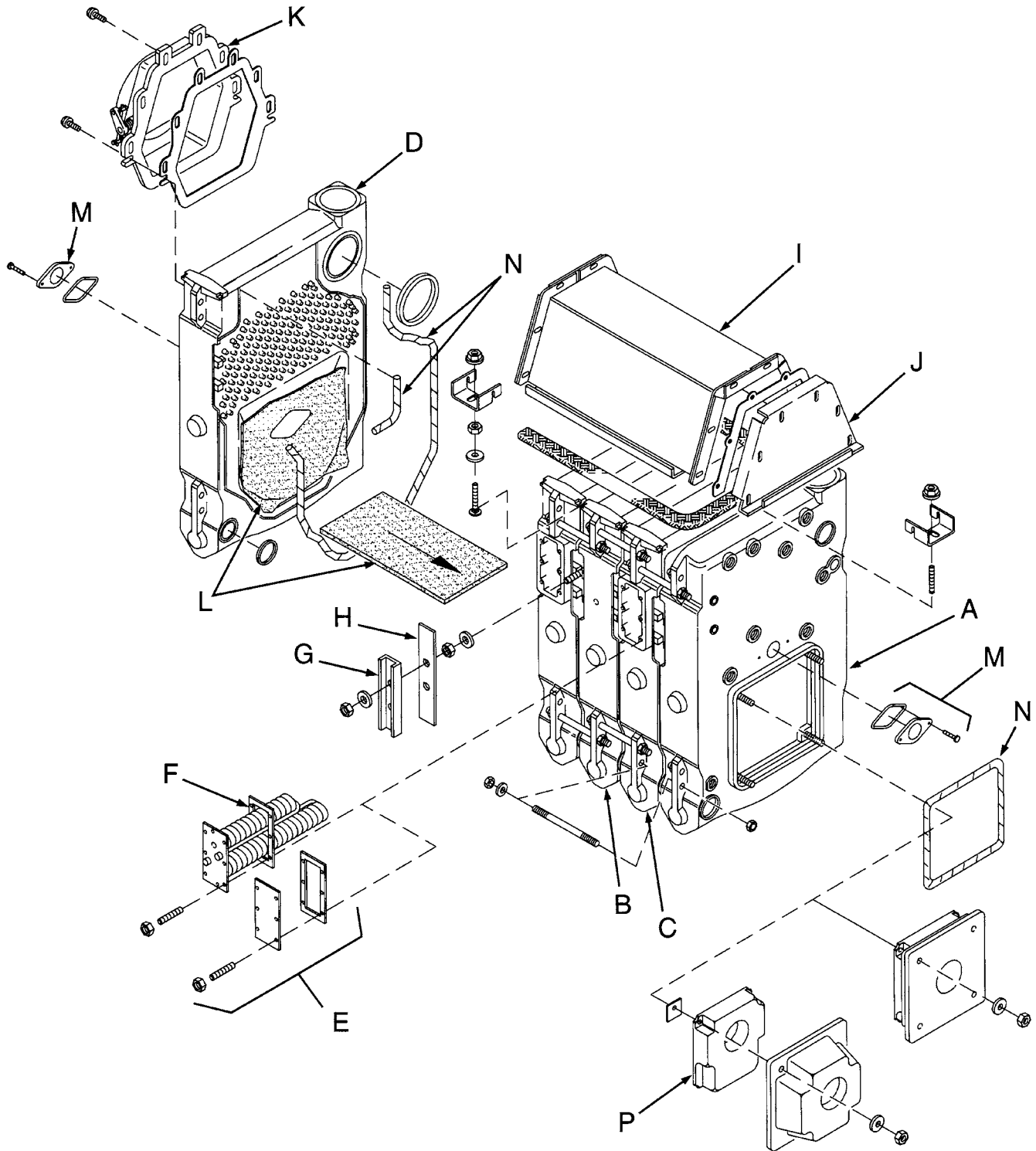
76  
Steam Trim / Control Parts



| Fig. No. | Part No.    | Description   | Boiler Size    |
|----------|-------------|---|----------------|
| 1        | 383-600-105 | Steam Safety Valve, Set To Relieve At 15 PSIG, ¾" N.P.T., Side Outlet, 450 lb./hr Steam Capacity                              | 3 – 6<br>3 – 6 |
|          | 383-600-107 | Steam Safety Valve, Set To Relieve At 15 PSIG, 1" N.P.T. Inlet, 1" N.P.T. Side Outlet, 643 Lb./Hr. Steam Capacity             | 7 – 9          |
| 2        | 510-312-135 | High Pressure Limit, Operating Range 0 – 9 PSIG, Differential 0 – 5 PSIG  | ALL SIZES      |
| 3        | 510-218-100 | Combination Pressure-Vacuum Gauge, 0 – 30 PSIG, 0 – 30" High, 4½" Dial, Bottom Connection, ¼" N.P.T., Spec 05549              | ALL SIZES      |
| 4        | 510-218-145 | Water Gauge Glass Cocks, Set, ½" N.P.T., Male inlet   | ALL SIZES      |
| 5        | 383-600-002 | Water Gauge Glass Kit, ⅝" x 10⅝" With Gaskets and Brass Washers.  | ALL SIZES      |
| 6        | 563-334-595 | Water Gauge Glass Guards, 3/16" Dia. X 12½" Long (2 Required)   | ALL SIZES      |
| N/S      | 590-921-903 | Tankless Heater – Water and Steam Boiler (Includes: Heater, Tankless Aquastat (Honeywell L4080b-1311), Gasket Nuts and Studs) |                |
|          | 560-340-577 | Tankless Nut and Stud   |                |

78  
Section Assembly

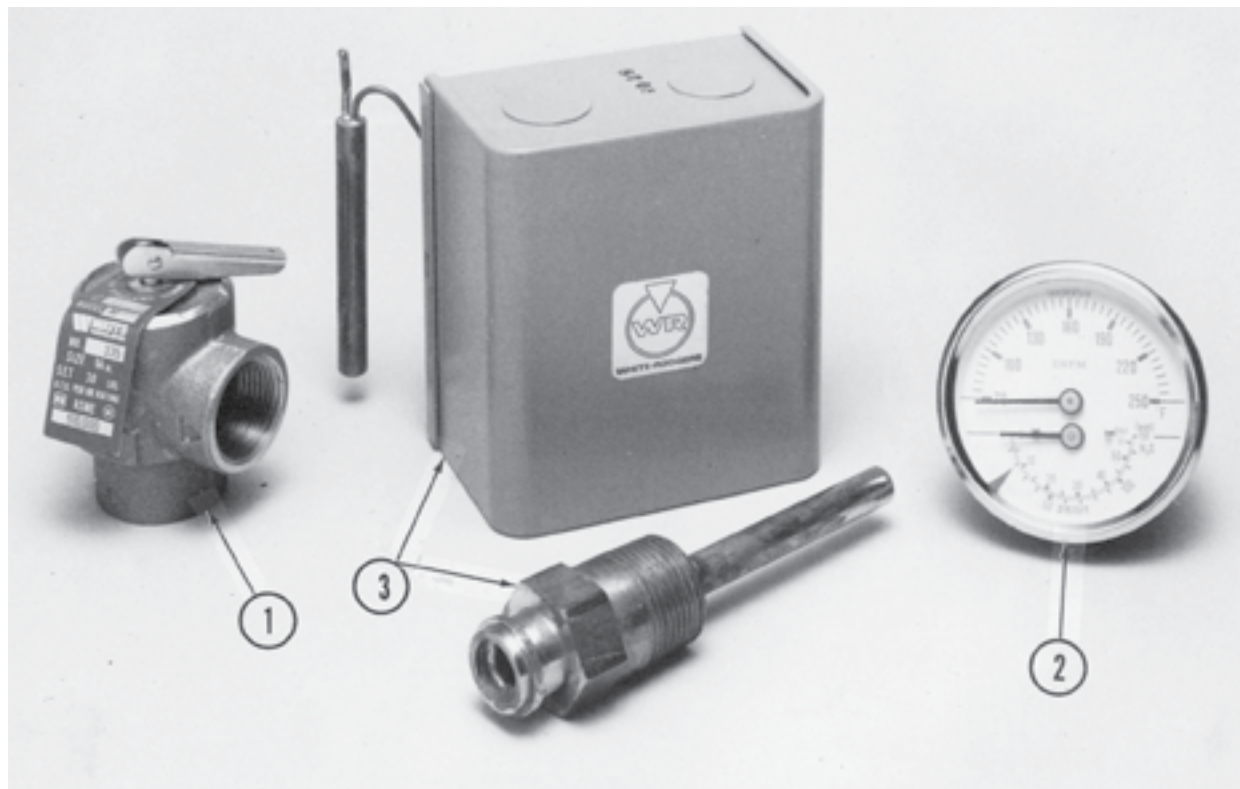
GAS/OIL



## Section Assembly Parts

| Fig. No. | Part No.    | Description   |   |   |   |   |   |   |   |    |    |    |  |
|----------|-------------|---|---|---|---|---|---|---|---|----|----|----|--|
| A        | 315-700-059 | Front Section – 80 PSI  |   |   |   |   |   |   |   |    |    |    |  |
| B        | 315-700-120 | Intermediate Section, Regular – 80 PSI  |   |   |   |   |   |   |   |    |    |    |  |
|          | 315-700-150 | Intermediate Section, Supply – Steam – 80 PSI   |   |   |   |   |   |   |   |    |    |    |  |
| C        | 315-700-140 | Intermediate Section, Tankless – 80 PSI   |   |   |   |   |   |   |   |    |    |    |  |
| D        | 315-700-068 | Back Section – 80 PSI   |   |   |   |   |   |   |   |    |    |    |  |
| N/S      | 385-800-205 | Section Assembly Kit For One Joint (Includes: 10' Sealing Rope Sealing Rope Adhesive, Sealing Rings and Silicone Sealant)   |   |   |   |   |   |   |   |    |    |    |  |
| E        | 385-700-200 | Heater Cover Plate Carton (Includes: Cover Plate, Gasket, Studs and Nuts)   |   |   |   |   |   |   |   |    |    |    |  |
| N/S      | 560-340-577 | Tankless Nut and Stud   |   |   |   |   |   |   |   |    |    |    |  |
| F        | 590-317-550 | Heater Gasket - 5¼" X 10"   |   |   |   |   |   |   |   |    |    |    |  |
| G        | 450-030-928 | Cleanout Plate  |   |   |   |   |   |   |   |    |    |    |  |
| H        | 590-317-303 | Cleanout Plate Gasket   |   |   |   |   |   |   |   |    |    |    |  |
| N/S      | 560-340-577 | Heater Studs & Nuts ¾" X 1½"  |   |   |   |   |   |   |   |    |    |    |  |
|          |             |   | 3 | 4 | 5 | 6 | 7 | 8 | 9 | 10 | 11 | 12 |  |
| I        | 450-020-200 | Flue Collector Hood "A" 14.4  | 1 |   |   |   |   |   |   |    |    |    |  |
|          | 450-020-205 | No Longer Available   |   |   |   |   |   |   |   |    |    |    |  |
|          | 450-020-210 | Flue Collector Hood "C" 28.4  |   |   | 1 |   |   | 1 | 2 | 1  |    |    |  |
|          | 450-020-215 | No Longer Available   |   |   |   |   |   |   |   |    |    |    |  |
|          | 450-020-220 | Flue Collector Hood "E" 42.4  |   |   |   |   | 1 |   |   |    |    | 1  |  |
| N/S      | 385-700-215 | Flue Collector Hood Hardware Kit (Includes: Fat-Stitched Sealing Rope, Double-Faced Tape, Flue Collar Gasket, Collector Hood Gaskets, Hold-Down Clips, Stud and Hardware) |   |   |   |   |   |   |   |    |    |    |  |
|          | 385-700-218 | Collector Hood Gasket Kit (Includes: Fat-Stitched Sealing Rope, Double-Faced Tape, Flue Collar Gasket, Collector Hood Gaskets)  |   |   |   |   |   |   |   |    |    |    |  |
| J        | 450-020-225 | Flue Collector Hood End Cap   |   |   |   |   |   |   |   |    |    |    |  |
| K        | 385-700-065 | Flue Collar Assembly, 8"  |   |   |   |   |   |   |   |    |    |    |  |
|          | 385-700-070 | Flue Collar Assembly, 10"   |   |   |   |   |   |   |   |    |    |    |  |
|          | 385-700-075 | Flue Collar Assembly, 12"   |   |   |   |   |   |   |   |    |    |    |  |
| L        | 385-700-220 | Combustion Chamber Kit (Includes: Back Refractory Blanket, Bottom Refractory Blanket, Waterglass, Sealing Rope and Sealing Rope Adhesive)                                 |   |   |   |   |   |   |   |    |    |    |  |
| N/S      | 562-650-105 | Insulation Retainer Clip  |   |   |   |   |   |   |   |    |    |    |  |
| M        | 385-600-099 | Observation Port Assembly (Includes: Observation Port, Sealing Rope and Screws)   |   |   |   |   |   |   |   |    |    |    |  |
| N/S      | 591-419-199 | Observation Port Glass, 2" Round X ⅛"   |   |   |   |   |   |   |   |    |    |    |  |
| N        | 590-735-140 | Rope Fiberglass ½" Diameter x 10' Per Joint   |   |   |   |   |   |   |   |    |    |    |  |
| P        | 591-000-070 | Burner Mounting Plate Front Refractory 4" Burner Opening  |   |   |   |   |   |   |   |    |    |    |  |
|          | 591-000-072 | Burner Mounting Plate Front Refractory 6" Burner Opening  |   |   |   |   |   |   |   |    |    |    |  |
| N/S      | 560-134-490 | Draw Rod ⅝" X 10" (4 Per Joint)   |   |   |   |   |   |   |   |    |    |    |  |
|          | 562-248-728 | Washers ⅝" (1 per Rod)  |   |   |   |   |   |   |   |    |    |    |  |
|          | 561-928-224 | ⅝" – 11 Nut (2 Per Rod)   |   |   |   |   |   |   |   |    |    |    |  |
|          | 592-800-008 | 7½" Elastomer Seal, Top   |   |   |   |   |   |   |   |    |    |    |  |
|          | 592-800-009 | 3½" Elastomer Seal, Bottom  |   |   |   |   |   |   |   |    |    |    |  |
|          | 592-002-030 | Touch Up Paint - Blue/Gray - Low E 4.5 oz Can   |   |   |   |   |   |   |   |    |    |    |  |

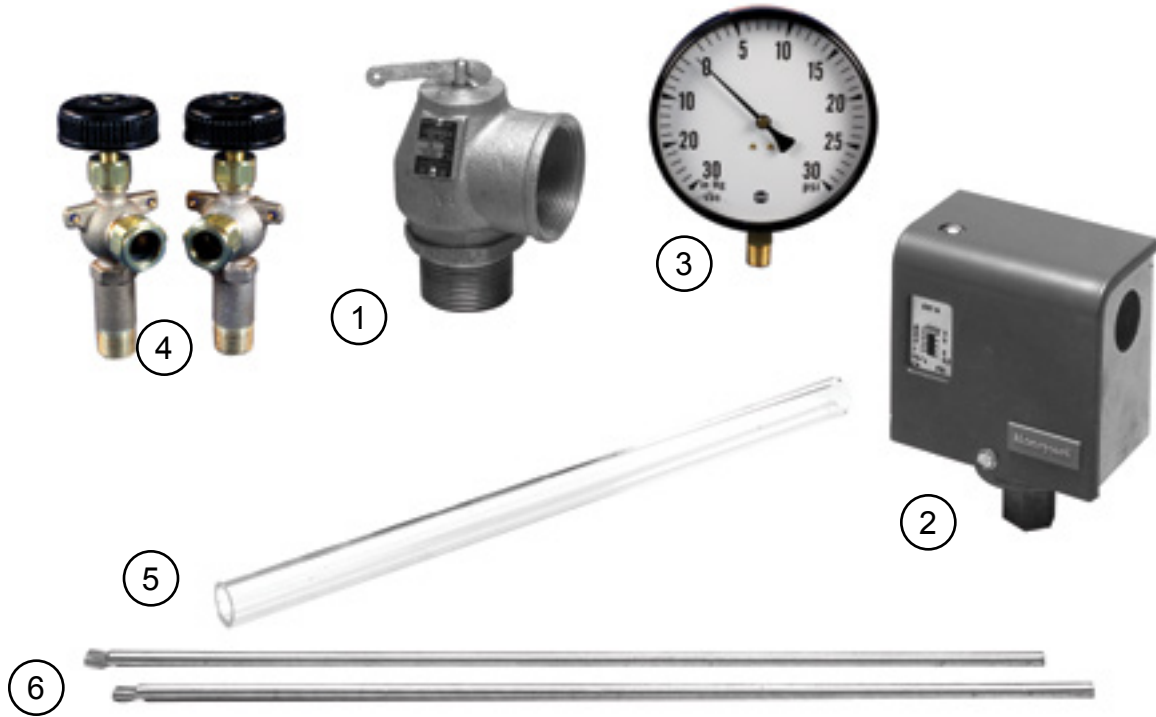
78  
Water Trim Parts



| Fig. No. | Part No.    | Description  |
|----------|-------------|--|
| 1        | 383-600-091 | ASME Pressure Relief Valve, Set To Relieve At 30 PSIG, 3/4" N.P.T. Female Inlet, Brass, 3/4" Female Side Outlet, Rated At 375,000 Btu/Hr Boiler Sizes (378 & 478)    |
|          | 383-600-063 | ASME Pressure Relief Valve, Set To Relieve At 30 PSIG, 3/4" N.P.T. Female Inlet, Brass, 1" Female Side Outlet, Rated At 925,000 Btu/Hr Boiler Sizes (578 - 878)      |
|          | 383-600-092 | ASME Pressure Relief Valve, Set To Relieve At 30 PSIG, 1" N.P.T. Female Inlet, Brass, 1 1/4" Female Side Outlet, Rated At 1,300,000 Btu/Hr Boiler Sizes (978 - 1178) |
|          | 383-600-093 | ASME Pressure Relief Valve, Set To Relieve At 30 PSIG, 1 1/4" N.P.T. Female Inlet, Brass, 1 1/2" Female Side Outlet, Rated At 2,105,000 Btu/Hr Boiler Size (1278)    |
| 2        | 510-218-099 | Combination Pressure Temperature Gauge, 2 1/2" Dia. Dial, 0-170 PSIG, 70-320°F, Short Shank, Back Connection, 1/4" N.P.T.  |
| 3        | 510-312-065 | Combination High Limit/Low Limit Control High Limit: 140-240°F Low Limit: 140-240°F With 5-35°F Adjustable Differential: Low Limit Must Be Set 20°F Below High Limit |
| N/S      | 590-921-917 | Tankless Heater - Water Or Steam (Includes: Heater, Gasket, Nuts and Studs)  |
|          | 560-340-577 | Tankless Nut And Stud  |



## 78 Steam Trim Parts



| Fig. No. | Part No.    | Description  |
|----------|-------------|--|
| 1        | 383-600-105 | Steam Relief Valve, Set To Relieve At 15 PSIG, 3/4" N.P.T., Inlet, 3/4" Side Outlet, 446 Lbs. Lbs./Hr. Steam Capacity<br>Boiler Sizes (378 - 478)        |
|          | 383-600-107 | Steam Relief Valve, Set To Relieve At 15 PSIG, 1" N.P.T., Inlet, 1" Side Outlet, 643 Lbs. Lbs./Hr. Steam Capacity<br>Boiler Sizes (578 - 678)            |
|          | 383-600-108 | Steam Relief Valve, Set To Relieve At 15 PSIG, 1 1/4" N.P.T., Inlet, Side Outlet, 1200 Lbs. Lbs./Hr. Steam Capacity, Brass<br>Boiler Sizes (778 - 1078)  |
|          | 383-600-109 | Steam Relief Valve, Set To Relieve At 15 PSIG, 1 1/2" N.P.T., Inlet, Side Outlet, 1900 Lbs. Lbs./Hr. Steam Capacity, Brass<br>Boiler Sizes (1178 - 1278) |
| 2        | 510-312-135 | Steam Pressuretrol   |
| 3        | 510-218-100 | Combination Pressure Vacuum Gauge, 0-30 PSIG , 0-30" Hg., 4 1/2" Dial, Bottom Connection, 1/4" N.P.T.  |
| 4        | 510-218-145 | Water Gauge Glass Cock Set, 1/2" N.P.T., Male Inlet  |
| 5        | 383-600-002 | Water Gauge Glass Kit, 5/8" X 10 5/8" with Gaskets and Brass Washers   |
| 6        | 563-334-595 | Gauge Glass Guards, 12 1/2" Long X 3/16" Diameter  |
| N/S      | 590-921-917 | Tankless Heater - Water or Steam (Includes: Heater, Gasket, Nuts and Studs)  |
|          | 560-340-577 | Tankless Nut and Stud  |

Electric Boiler  
CER - Series 2  
Parts

| <b>Line Voltage Electrical Control Components Control List<br/>Electrical Power Supply - 240/60/1</b> |   |                             |    |    |
|---|---|-----------------------------|----|----|
| Part No.  | Description   | Qty.<br>Req'd Per<br>Boiler |    |    |
|   |   | 24                          | 32 | 40 |
| 591-550-250   | Element 8-Kilowatt 240-Volt Single-Phase With Gasket  | 3                           | 4  | 5  |
| 590-317-523   | Heating Element Gasket, Rubber 1¼"  | 5                           | 5  | 5  |
| 592-243-200   | Heating Element Opening Cover Plate   | 2                           | 1  | 0  |
| 512-150-147   | Heating Element Contactor, DPST, 24 Volt Holding Coil, 48.0 Amps, Rating-Resistive Load At 240 Volt | 3                           | 4  | 5  |
| 512-050-015   | Line Voltage Terminal and Fuse Block  | 2                           | 2  | 2  |
| 591-850-176   | Heating Element Fuse 50 AMP 250 Volt  | 6                           | 8  | 10 |
| 511-842-361   | Transformer 208/240 Volt Primary To 24 Volt Secondary, 48 VA, Foot Mounting                         | 1                           | 1  | 1  |
| <b>Line Voltage Electrical Control Components Control List<br/>Electrical Power Supply - 208/60/1</b> |   |                             |    |    |
| 591-550-229   | Element 8-Kilowatt 208-Volt Single or Three-phase With Gasket                                       | 3                           | 4  | 5  |
| 590-317-523   | Heating Element Gasket, Rubber 1¼"  | 5                           | 5  | 5  |
| 592-243-200   | Heating Element Opening Cover Plate   | 2                           | 1  | 0  |
| 512-150-147   | Heating Element Contactor, DPST, 24 Volt Holding Coil, 48.0 Amps, Rating-Resistive Load At 240 Volt | 3                           | 4  | 5  |
| 512-050-015   | Line Voltage Terminal and Fuse Block  | 2                           | 2  | 2  |
| 591-850-176   | Heating Element Fuse 50 AMP 250 Volt  | 6                           | 8  | 10 |
| 511-842-361   | Transformer 208/240 Volt Primary To 24 Volt Secondary, 48 VA, Foot Mounting                         | 1                           | 1  | 1  |
| <b>Line Voltage Electrical Control Components Control List<br/>Electrical Power Supply - 208/60/3</b> |   |                             |    |    |
| 591-550-229   | Element 8-Kilowatt 208-Volt Single or Three-phase With Gasket                                       | 3                           | 4  | 5  |
| 590-317-523   | Heating Element Gasket, Rubber 1¼"  | 5                           | 5  | 5  |
| 592-243-200   | Heating Element Opening Cover Plate   | 2                           | 1  | 0  |
| 512-150-149   | Heating Element Contactor, 3PST, 24 Volt Holding Coil, 50.0 Amps, Rating-Resistive Load At 480 Volt | 3                           | 4  | 5  |
| 512-050-017   | Line Voltage Terminal and Fuse Block  | 3                           | 3  | 3  |
| 591-850-174   | Heating Element Fuse 30 AMP 250 Volt  | 9                           | 15 | 15 |
| 511-842-361   | Transformer 208/240 Volt Primary To 24 Volt Secondary, 48 VA, foot Mounting                         | 1                           | 1  | 1  |

ADDITIONAL

Electric Boiler  
CER - Series 2  
Parts

| <b>Line Voltage Electrical Control Components Control List<br/>Electrical Power Supply - 240/60/3</b> |   |                             |    |    |
|---|---|-----------------------------|----|----|
| Part No.  | Description   | Qty.<br>Req'd Per<br>Boiler |    |    |
|   |   | 24                          | 32 | 40 |
| 591-550-249   | Element 8-Kilowatt 240-Volt Three-phase with Gasket   | 3                           | 4  | 5  |
| 590-317-523   | Heating Element Gasket, Rubber 1¾"  | 5                           | 5  | 5  |
| 592-243-200   | Heating Element Opening Cover Plate   | 2                           | 1  | 0  |
| 512-150-149   | Heating Element Contactor, 3PST, 24 Volt Holding Coil, 50.0 Amps, Rating-Resistive Load At 480 Volt | 3                           | 4  | 5  |
| 512-050-017   | Line Voltage Terminal and Fuse Block  | 3                           | 3  | 3  |
| 591-850-174   | Heating Element Fuse 30 AMP 250 Volt  | 9                           | 12 | 15 |
| 511-842-361   | Transformer 208/240 Volt Primary To 24 Volt Secondary, 48 VA, Foot Mounting                         | 1                           | 1  | 1  |
| <b>Line Voltage Electrical Control Components Control List<br/>Electrical Power Supply - 480/60/3</b> |   |                             |    |    |
| 591-550-272   | Element 8-Kilowatts 480-Volt Three-phase With Gasket  | 3                           | 4  | 5  |
| 590-317-523   | Heating Element Gasket, Rubber 1¾"  | 5                           | 5  | 5  |
| 592-243-200   | Heating Element Opening Cover Plate   | 2                           | 1  | 0  |
| 512-050-017   | Line Voltage Terminal and Fuse Block  | 3                           | 3  | 3  |
| 591-850-178   | Heating Element Fuse 15 AMP 600 Volt  | 9                           | 12 | 15 |
| 511-842-362   | Transformer 480 Volt Primary To 24 Volt Secondary, 48 VA, Foot Mounting                             | 1                           | 1  | 1  |

ADDITIONAL

Electric Boiler  
CER - Series 2  
Parts

| <b>Water Trim and Control Components Control List</b>                            |   |                             |    |    |  |  |
|--|---|-----------------------------|----|----|--|--|
| <b>Electrical Power Supply - 208/60/1, 240/60/1, 208/6/3, 240/60/3, 480/60/3</b> |   |                             |    |    |  |  |
| Part No.   | Description   | Qty.<br>Req'd Per<br>Boiler |    |    |  |  |
|  |   | 24                          | 32 | 40 |  |  |
| 562-850-089  | Door Latch With Retainer, Push-On Clip and Knob   | 1                           | 1  | 1  |  |  |
|  |   | 1                           | 1  | 1  |  |  |
| 510-350-061  | Control, DPST, Automatic Recycle<br>Low Limit: 120-220°F Range, 10-25°F Adjustable Subtractive Differential<br>High Limit: 140-240°F Range, 10°F Fixed Subtractive Differential | 1                           | 1  | 1  |  |  |
| 383-600-091  | ASME Pressure Relief Valve, Set To Relieve At 30 PSIG, 3/4" N.P.T. Female Inlet, Brass, Side Outlet   | 1                           | 1  | 1  |  |  |
| 388-800-185  | Replacement Pressure Gauge Kit  | 1                           | 1  | 1  |  |  |
| <b>Line Voltage Control Circuit Electrical Control Components Control List</b>   |   |                             |    |    |  |  |
| <b>Electrical Power Supply - 208/60/1, 240/60/1, 208/6/3, 240/60/3, 480/60/3</b> |   |                             |    |    |  |  |
| 510-350-211  | Electrical Delay Timer, Solid State, 2 1/2 Minute Delay On Make, 24 Volt  | 2                           | 3  | 4  |  |  |
| 388-800-187  | Thermal Time Delay Kit, 15 Sec. Delay on Make, 10 Sec. Delay On Break, SPST, 24 Volt  | 2                           | 3  | 4  |  |  |
| 510-350-219  | Circulator Relay, SPST, 24 Volt Holding Coil  | 1                           | 1  | 1  |  |  |
| 512-050-022  | Low Voltage Terminal Block  | 1                           | 1  | 1  |  |  |
| <b>Miscellaneous Parts</b>   |   |                             |    |    |  |  |
| 592-002-030  | Touch Up Paint - Blue/Gray - Low E, 4.5oz Can   |                             |    |    |  |  |

ADDITIONAL

## Electric Boiler CE - Series 2 Parts

| Part No.    | Description   |
|-------------|---|
| 318-302-100 | CES & CEW Section   |
| 590-317-523 | Element Gasket, Rubber 1¼"  |
| 510-312-135 | Pressuretrol  |
| 510-350-061 | Limit Control Without Well 140-240°   |
| 510-350-211 | Solid State Timer, 24 Volt, 2½ Minute Delay On Make   |
| 510-350-220 | Time Delay Control - Thermal, 30 Second Delay On Make   |
| 510-350-219 | Pump Relay Control  |
| 511-144-494 | Low Water Cutoff, 24 Volt   |
| 510-632-088 | Expansion Tank Without Fill Valve   |
| 511-210-423 | Drain Cock ¾" N.P.T, 1½" Shank  |
| 511-210-434 | Fill Valve Angle Style-90 With Built-in Strainer, Pressure Reducer, Check Valve Requires User Provided Shut-off Valve |
| 511-405-117 | Pump DWG DA-E100-A Electric Boiler  |
| 383-600-091 | Water Relief Valve, 30 PSI, ¾" Female   |
| 383-600-105 | Steam Relief Valve, 15 PSI, ¾" Female   |
| 511-842-365 | Transformer 208/240 Volt  |
| 388-800-000 | Transformer 480 Volt  |
| 512-050-013 | Terminal Block  |
| 512-050-019 |   |
| 512-050-021 |   |
| 512-050-023 |   |
| 512-150-147 | Contactactor - Single Phase   |
| 512-150-149 | Contactactor - Three Phase  |
| 562-850-089 | Door Knob Latch With Pawl   |
| 563-334-580 | Glass Guard Rods 3/16" x 9⅞" - (2 Required)   |
| 383-600-000 | Gauge Glass Kit (Includes: Glass, Gaskets, and Brass Washers)   |
| 591-550-164 | Element With Gasket 16KW 208 Volt   |
| 591-550-165 | Element With Gasket 16KW 240 Volt   |
| 591-550-166 | Element With Gasket 16KW 480 Volt   |
| 591-550-229 | Element With Gasket 8KW 208 Volt  |
| 591-550-250 | Element With Gasket 8KW 240 Volt  |
| 591-850-176 | Fuse 50AMP, 250 Volt  |
| 591-850-179 | Fuse 30AMP, 600 Volt  |
| 591-850-181 | Fuse 60AMP, 250 Volt  |
| 591-850-185 | Fuse 10AMP  |
| 510-218-045 | Steam Gauge Center Rear Mount 0-30 PSI  |
| 388-800-185 | Replacement Pressure Gauge Kit  |
| 592-243-200 | Element Opening Cover Plate   |
| 592-002-030 | Touch Up Paint - Blue/Gray - Low E 4.5 oz Can   |

**Electric Boiler  
PER - Series 3  
Parts**

| Part No.    | Description   | Qty. Per Boiler |    |    |
|-------------|---|-----------------|----|----|
|             |   | 15              | 20 | 25 |
| 590-317-523 | Heating Element Gasket, Rubber 1¼"  | 3               | 4  | 5  |
| 510-350-061 | Combination Low Limit/High Limit Temperature Control, DPST, Automatic Recycle<br>Low Limit: 120-220°F Range, 10-25°F Adjustable Subtractive differential.<br>High Limit: 140-240°F Range, 10°F Fixed Subtractive Differential | 1               | 1  | 1  |
| 510-350-211 | Electronic Delay Timer, Solid State, 2½ Minute Delay On Make, 24 Volt   | 2               | 3  | 4  |
| 388-800-187 | Thermal Time Delay Kit, 15 Sec. Delay On Make, 10 Sec. Delay On Break, SPST, 24 Volt  | 2               | 3  | 4  |
| 510-350-219 | Circulator Relay, SPST, 24 Volt Holding Coil  | 1               | 1  | 1  |
| 510-632-088 | Expansion Tank Without Fill Valve   | 1               | 1  | 1  |
| 511-210-423 | Drain cock ¾" N.P.T 1½" Shank   | 1               | 1  | 1  |
| 511-210-434 | Fill Valve Angle Style-90 With Built-in Strainer, Pressure Reducer, Check Valve Requires User Provided Shut-off Valve   | 1               | 1  | 1  |
| 511-405-117 | Pump DWG, DA-E100-A Electric Boiler   | 1               | 1  | 1  |
| 383-600-091 | ASME Pressure Relief Valve, Set To Relieve At 30 PSIG, ¾" N.P.T. Female Inlet, Brass, Side Outlet   | 1               | 1  | 1  |
|             |   | 1               | 1  | 1  |
| 511-842-361 | Transformer 208/240 Volt Primary To 24 Volt Secondary, 48VA, Foot Mounting  | 1               | 1  | 1  |
| 512-050-013 | Low Voltage Terminal Block  | 1               | 1  | 1  |
| 512-150-147 | Heating Element Contactor, DPST, 24 Volt Holding Coil   | 3               | 4  | 5  |
| 562-850-089 | Door Knob Latch With Pawl   | 1               | 1  | 1  |
|             |   | 1               | 1  | 1  |
| 590-317-535 | Circulator Gasket (Two Required Per Unit)   | 2               | 2  | 2  |
|             |   | 2               | 2  | 2  |
| 591-550-135 | Element 5-Kilowatt 240-Volt Single-Phase With Gasket  | 3               | 4  | 5  |
| 591-850-172 | Control Circuit Fuse 15 AMP   | 1               | 1  | 1  |
| 591-850-174 | Control Circuit Fuse 30 AMP   | 6               | 8  | 10 |
| 592-300-010 | Temperature Control Well, Brass. ¾" N.P.T.  | 1               | 1  | 1  |
| 510-148-567 | Automatic Air Vent, Float Type, ⅛" N.P.T.   | 1               | 1  | 1  |
| 510-350-218 | Pump Temperature Control  | 1               | 1  | 1  |
| 381-354-526 | Circulator Universal Hardware Kit 1¼" (Includes: (1) 1 ¼" C.I. Pump Flange, (1) Universal Circulator Gasket, (2) Screws and Nuts)   | 2               | 2  | 2  |
| 388-800-185 | Replacement Pressure Gauge Kit  | 1               | 1  | 1  |
| 592-243-200 | Heating Element Opening Cover Plate   | 2               | 1  |    |
| 592-002-030 | Touch Up Paint - Blue/Gray - Low E, 4.5oz Can   |                 |    |    |

ADDITIONAL

## Gold Plus / Ultra Plus / Plus Residential Water Heater Parts

| Part No.    | Description  | Model                                     |
|-------------|--|---|
| 633-900-130 | Residential Thermostat, (Includes: Knob, Thermostat, Screws and Instructions)<br>90 -160 Degree Range  | Plus 30-60<br>Gold & Ultra-<br>Plus 30-80 |
| 633-900-102 | Thermostat With Cover Plate Kit, (Includes: T-Stat, Knob, Snap Set, and Cover Plate<br>with Fasteners, and Instructions)                                     | Gold & Ultra<br>Plus 30-80                |
| 635-600-145 | Snap Set With Wire Connector   | Gold & Ultra<br>Plus 30-80                |
| 635-100-003 | Automatic Air Vent # 400 - ½" N.P.T, 150 P.S.I - 240 Degree  | ALL                                       |
| 635-700-014 | Bag Assembly Kit – (Includes :Air Vent, Reducer Bushing, Brass Tee, Drain Valve, and<br>Drain Valve Cap With Washer)   | Gold & Ultra<br>Plus 30-80                |
| 633-900-117 | Drain Valve Kit - (Includes: ¾" Drain Valve, ¾" Brass Tee, Hose Bib)   | Plus 30-60<br>Gold & Ultra-<br>Plus 30-80 |
| 635-100-017 | Zoning Circulator – (Taco 007)   | Combo 40C                                 |
| 635-100-019 | Zoning Circulator Priority Circuit Board – (Taco 007)  | Combo 40C                                 |
| 633-900-209 | Zone Valve Replacement Kit, (Includes: Valve body, Valve actuator, & Wiring harness)   | Combo 30/40V                              |
| 633-900-118 | Dip Tube Kit – ¾" (Includes: 34" Dip Tube, O Rings, & Instructions)  | ALL Size 30                               |
| 633-900-119 | Dip Tube Kit – ¾" (Includes: 42" Dip Tube, O Rings, & Instructions)  | ALL Size 40                               |
| 633-900-120 | Dip Tube Kit – ¾" (Includes: 52" Dip Tube, O Rings, & Instructions)  | ALL Size 60                               |
| 633-900-125 | Dip Tube Kit – ¾" (Includes: 61" Dip Tube, O Rings, & Instructions)  | Gold & Ultra<br>Plus 80                   |
| 635-600-096 | Dip Tube O-ring – ¾"   | Plus 30-60<br>Gold & Ultra-<br>Plus 30-80 |
| 635-600-061 | Drywell Replacement Kit – (Includes: 19.68" Drywell, Loctite, and Instructions)  | ALL 30                                    |
| 635-600-062 | Drywell Replacement Kit – (Includes: 27.56" Drywell, Loctite, and Instructions)  | ALL 40                                    |
| 635-600-063 | Drywell Replacement Kit – (Includes: 37.40" Drywell, Loctite, and Instructions)  | ALL 60                                    |
| 635-600-064 | Drywell Replacement Kit – (Includes: 47.25" Drywell, Loctite, and Instructions)  | ALL 80                                    |
| 635-600-150 | Drywell O-ring Kit – (Includes: Rubber & Copper O-Rings, Loctite, and Instructions)  | ALL                                       |
| 635-600-139 | Plastic Top Cover (Old Style, Drywell in back) – (Specify Tank Size When Ordering)   | Gold & Ultra<br>Plus 30-80                |
| 633-800-440 | Plastic Top Cover (New Style, Drywell In Front) – These Covers Used With Series 3<br>Tanks - (Need CP Number To Confirm) – (Specify Tank Size When Ordering) | Gold & Ultra<br>Plus 30-80                |
|             | Gold Plus-30 – (CP Number Greater Than 5216231)  |   |
|             | Gold Plus-40 – (CP Number Greater Than 5216747)  |   |
|             | Gold Plus-60 – (CP Number Greater Than 5217621)  |   |
| 634-200-166 | Plastic Bottom   | Gold & Ultra<br>Plus 30-80                |

ADDITIONAL

## Plus Commercial Water Heater Parts

| Part No.    | Description  | Model                                       |
|-------------|--|---|
| 635-100-010 | Commercial Thermostat – (Includes Thermostat and Instructions)<br>90 – 190° Range-- Has 2 Prong Connection | Plus 80/100/120<br>Gold Plus<br>100/110/119 |
| 635-600-080 | Snap Set With Wire Connector   | Plus 80/100/120<br>Gold Plus<br>100/110/119 |
| 635-600-205 | Thermostat Cover Plate With Plastic Fasteners  | Plus 100/110/119                            |
| 635-600-084 | Thermometer  | Plus 80/100/120                             |
| 635-100-003 | Automatic Air Vent – ½" N.P.T  | ALL   |
| 633-900-115 | Dip Tube Kit – 1½" (Includes: Dip Tube, O-Rings, & Instructions) , 61"                                     | Plus 100/120<br>Gold Plus<br>100/110/119    |
| 635-600-098 | Dip Tube O-ring – (1½")  | Plus 100/120                                |
| 635-600-065 | Drywell Replacement Kit – (Includes: 51¼" Drywell, Loctite, & Instructions)                                | Plus 100/120                                |
| 635-600-150 | Drywell O-ring Kit – (Includes: Rubber & Copper O-Rings, Loctite and Instructions)                         | ALL   |
| 633-800-441 | Plastic Top Cover --- 26½" Outside Diameter --- Series 3   | Gold Plus<br>100/110                        |
| 633-800-442 | Plastic Top Cover --- 32¼" Outside Diameter --- Series 3   | Gold Plus 119                               |
| 634-200-167 | Bottom Cover   | Gold Plus<br>100/110                        |
| 634-200-168 | Bottom Cover   | Gold Plus 119                               |

ADDITIONAL



## Multiple Boiler Control / Zone Controller Parts

| <b>EMCS Energy Management/Staging Control</b>  |   |
|--|---|
| Part No.   | Description   |
| 389-900-229  | Universal 3-In-1 Sensor. Outdoor, Indoor Strap On, or Well Sensor         |
| 511-624-643  | Pressure Sensor Assembly (Includes: Sensor With Transducer, Junction Box) |
| 510-350-411  | Output Relay, DPDT, 24 Volts DC   |
| <b>* EMCS Controls Are Obsolete. Replace With Appropriate BCP Panel. All Other Parts Are Obsolete With No Replacement.</b> |   |
| <b>BCP Energy Management/Boiler Staging Control</b>  |   |
| 389-900-229  | Universal 3-In-1 Sensor. Outdoor, Indoor Strap On, or Well Sensor         |
| 511-624-643  | Pressure Sensor Assembly (Includes: Sensor With Transducer, Junction Box) |
| 510-350-411  | Output Relay, DPDT, 24 Volts DC   |
| 389-900-230  | 3/8" Brass Sensor Only, With 8" Leads                                     |
| <b>WMCR Circulator Zone Control</b>  |   |
| 510-311-021  | Circulator Plug In Relay - (24 VAC Coil)                                  |
| 510-311-022  | Control Plug In Relay - (120 VAC Coil) - (WMCR-3,4 and 6 <b>ONLY</b> )    |
| 591-850-078  | 18" Telephone Cable Connector - (Connects To WMCR-1E/4E)                  |
| 511-842-370  | Field Mounted 40 VA Transformer - (Not Used On WMCR-1E/4E)                |
| <b>WMZV Zone Valve Control</b>   |   |
| 510-311-021  | Circulator Plug In Relay - (24 VAC Coil)                                  |
| 511-842-370  | Field Mounted 40 VA Transformer - (Used On WMZV-4 <b>ONLY</b> )           |
| 511-842-364  | Field Mounted 75 VA Transformer - (Used On WMZV-6 <b>ONLY</b> )           |
| <b>WMR Switching Relay</b>   |   |
| 510-311-021  | Circulator Plug In Relay - (24 VAC Coil)                                  |
| <b>WM-ODR Outdoor Reset Control</b>  |   |
| 511-724-279  | Two Wire Water Temperature Sensor   |
| 511-724-280  | Two Wire Outdoor Sensor With Housing                                      |

ADDITIONAL

# Manufacturing Dates By Series

## GAS BOILERS

| <b>AHE</b> |                                       |
|------------|---------------------------------------|
| Series 1   | Never Marketed                        |
| Series 2   | May 1985 - April 1987                 |
| Series 3   | April 1987 - June 2000                |
| Series 4   | June 2000 - June 2005 -- Discontinued |

| <b>CGa</b> |                             |
|------------|-----------------------------|
| Series 1   | April 2000 - September 2012 |
| Series 2   | September 2012 to Present   |

| <b>CGi</b> |                             |
|------------|-----------------------------|
| Series 1   | June 1997 - April 2000      |
| Series 2   | April 2000 - September 2012 |
| Series 3   | September 2012 to Present   |

| <b>CGM, CG and P-CG</b> |   |
|-------------------------|---|
| Series 1                | February 1967 - November 1971             |
| Series 2 & 3            | Never Marketed                            |
| Series 4                | November 1971 - April 1975                |
| Series 5                | April 1975 - January 1977                 |
| Series 6                | January 1977 - May 1980                   |
| Series 7                | May 1980 - April 1983                     |
| Series 8                | April 1983 - July 1987                    |
| Series 9                | July 1987 - January 1991                  |
| Series 10               | January 1991 - November 1991              |
| Series 11               | November 1991 - December 1995             |
| Series 12               | January 1996 - April 2000 -- Discontinued |

| <b>CGs</b> |   |
|------------|---|
| Series 1   | October 1999 - September 2012 -- Discontinued |

| <b>CGt</b> |   |
|------------|---|
| Series 1   | September 2001 - January 2013 -- Discontinued |
| Series 2   | June 2012 - Present                           |

| <b>CGx</b> |   |
|------------|---|
| Series 1   | August 1995 - December 1995               |
| Series 2   | January 1996 - April 2000 -- Discontinued |

| <b>D and PD</b> |  |
|-----------------|--|
| Series 1        | August 1961 - January 1965                 |
| Series 2        | November 1964 - May 1965                   |
| Series 3        | April 1965 - February 1967 -- Discontinued |

| <b>E</b>  |  |
|-----------|--|
| Series 1  | March 1960 - April 1962                |
| Series EB | April 1962 - April 1965                |
| Series 2  | April 1965 - May 1970                  |
| Series 3  | May 1970 - August 1975 -- Discontinued |

| <b>EG - Standard Without Tankless Opening/Optional With Tankless Opening</b> |                               |
|--|-------------------------------|
| Series 1   | August 1975 - April 1985      |
| Series 1   | April 1985 - January 1991     |
| Series 2   | January 1991 - November 1991  |
| Series 3   | November 1991 - December 1995 |
| Series 4   | January 1996 - September 2012 |
| Series 5   | September 2012 to Present     |

| <b>P-EG</b>   |  |
|---|--|
| Series 1  | August 1975 - April 1977 -- Discontinued |
| Boilers Below Offered as Packaged Steam Units Without Tankless Heater |  |
| Series 2  | August 1978 - January 1991               |
| Series 3  | January 1991 - November 1997             |
| Series 4  | January 1996 - September 2012            |
| Series 5  | September 2012 to Present                |

| <b>EGH</b>  |                              |
|---|------------------------------|
| Series 1  | August 1975 - March 1978     |
| Series 2  | March 1978 - April 1985      |
| Boilers Below Offered Standard without Tankless Opening/ Optional With Tankless Opening |                              |
| Series 2  | April 1985 - August 1990     |
| Series 3  | August 1990 - December 1995  |
| Series 4  | January 1996 - December 2012 |
| Series 5  | December 2012 to Present     |

| <b>G</b> |  |
|----------|--|
| Series 1 | February 1949 - April 1951               |
| Series 2 | April 1951 - August 1957                 |
| Series 3 | August 1957 - April 1961 -- Discontinued |

| <b>GV</b> |                       |
|-----------|-----------------------|
| Series 1  | June 1990 - May 1993  |
| Series 2  | May 1993 - July 1999  |
| Series 3  | July 1999 - July 2001 |
| Series 4  | July 2001 - June 2011 |

| <b>H</b> |   |
|----------|---|
| Series 1 | March 1952 - June 1954                      |
| Series 2 | June 1954 - May 1956                        |
| Series 3 | May 1956 - August 1961                      |
| Series 4 | August 1961 - November 1966 -- Discontinued |

| <b>HE</b>   |                                      |
|-------------|--------------------------------------|
| Series 1    | September 1981 - July 1982           |
| Series 2    | July 1982 - May 1985                 |
| Series 3    | May 1985 - July 1991 -- Discontinued |
| <b>HEII</b> |                                      |
| Series 1    | July 1991 - June 1997                |

ADDITIONAL

# Manufacturing Dates By Series

## GAS BOILERS

|           |  |
|-----------|--|
| <b>HG</b> |  |
| Series 1  | February 1966 - October 1970 -- Discontinued |

|          |  |
|----------|--|
| <b>J</b> |  |
| Series 1 | September 1955 - September 1957        |
| Series 2 | September 1957 - March 1960            |
| Series 3 | March 1960 - June 1965 -- Discontinued |

|           |   |
|-----------|---|
| <b>JB</b> |   |
| Series 1  | November 1964 - July 1970 -- Discontinued |

|  |                            |
|--|----------------------------|
| <b>K</b>                                       |                            |
| Series 1                                       | April 1964 - December 1969 |
| Boiler Discontinued (Series 1) - December 1969 |                            |
| Series 3                                       | April 1972 - August 1975   |
| Boiler Discontinued (Series 2) - August 1975   |                            |

|           |                                      |
|-----------|--------------------------------------|
| <b>LG</b> |                                      |
| Series 1  | April 1970 - July 1972               |
| Series 2  | July 1972 - May 1977 -- Discontinued |

|            |                         |
|------------|-------------------------|
| <b>LGB</b> |                         |
| Series 1   | August 1985 - June 1993 |
| Series 2   | June 1993 - Present     |

|           |  |
|-----------|--|
| <b>MG</b> |  |
| Series 1  | June 1969 - April 1973 -- Discontinued |

|            |  |
|------------|--|
| <b>MGB</b> |  |
| Series 1   | April 1973 - January 1984                    |
| Series 2   | January 1984 - December 1985 -- Discontinued |

|            |  |
|------------|--|
| <b>PFG</b> |  |
| Series 1   | February 1972 - February 1977                  |
| Series 2   | February 1977 - July 1981                      |
| Series 3   | July 1981 - January 1989                       |
| Series 4   | January 1989 - December 1991                   |
| Series 5   | December 1991 - December 1995                  |
| Series 6   | January 1996 - February 2006                   |
| Series 7   | February 2006 - September 2012 -- Discontinued |

|            |  |
|------------|--|
| <b>PAG</b> |  |
| Series 1   | August 1956 - August 1957                |
| Series 2   | August 1957 - April 1961 -- Discontinued |

|            |                            |
|------------|----------------------------|
| <b>VHE</b> |                            |
| Series 1   | September 1981 - July 1982 |

|          |                                      |
|----------|--------------------------------------|
| Series 2 | July 1982 - May 1985                 |
| Series 3 | May 1985 - June 1990 -- Discontinued |

|                  |                                |
|------------------|--------------------------------|
| <b>Ultra Gas</b> |                                |
| Series 1         | November 2002 - May 2004       |
| Series 2         | May 2004 - July 2008           |
| Series 3         | July 2008 - September 2009     |
| Series 3UE       | September 2009 - February 2013 |
| Series 3UE-CT    | February 2013 - July 2017      |
| Series 4         | July 2017 to Present           |

|   |                               |
|---|-------------------------------|
| <b>Ultra Commercial/Slimfit 550/750</b> |                               |
| Series 1                                | November 2009 - October 2014  |
| Series 2 With U-Control                 | October 2014 - September 2015 |
| Series 2 With Evergreen Control         | September 2015 - Present      |

|                |                         |
|----------------|-------------------------|
| <b>SlimFit</b> |                         |
| Series 1       | June 2013 - August 2017 |
| Series 2       | August 2017 to Present  |

|              |                                |
|--------------|--------------------------------|
| <b>WM97+</b> |                                |
| Series 1     | September 2011 - February 2013 |
| Series 1-CT  | February 2013 - February 2017  |
| Series 2     | February 2017 to Present       |

|              |                            |
|--------------|----------------------------|
| <b>GV90+</b> |                            |
| Series 1     | June 2011 - September 2012 |
| Series 2     | September 2012 to Present  |

|            |                          |
|------------|--------------------------|
| <b>ECO</b> |                          |
| Series 1   | May 2013 - February 2017 |
| Series 2   | February 2017 to Present |

|                    |                           |
|--------------------|---------------------------|
| <b>AquaBalance</b> |                           |
| Series 1           | September 2016 to Present |

# Manufacturing Dates By Series

## ROUND BOILERS

| <b>OB15</b> |                                      |
|-------------|--------------------------------------|
| Series 1    | May 1950 - September 1951            |
| Series 2    | September 1951 - June 1953           |
| Series 3    | June 1953 - June 1962 - Discontinued |

| <b>OB18</b> |                                      |
|-------------|--------------------------------------|
| Series 1    | June 1952 - June 1954                |
| Series 2    | Never Marketed                       |
| Series 3    | June 1954 - June 1962 - Discontinued |

| <b>PAG</b> |   |
|------------|---|
| Series 1   | August 1956 - August 1957               |
| Series 2   | August 1957 - April 1961 - Discontinued |

| <b>POB15</b> |   |
|--------------|---|
| Series 3     | November 1953 - January 1958            |
| Series 4     | January 1958 - June 1962 - Discontinued |

| <b>POB18</b>    |  |
|-----------------|--|
| Series 4        | August 1955 - June 1962 - Discontinued     |
| Series 5 Boiler |  |
| Series 5        | May 1952 - April 1955                      |
| Series 5A       | April 1955 - September 1955 - Discontinued |

| <b>ROB18</b> |  |
|--------------|--|
| Series 1     | June 1953 - April 1954                   |
| Series 2     | April 1954 - June 1954                   |
| Series 3     | June 1954 - December 1964 - Discontinued |

| <b>RO2-6, RO3-6, RO3-7, RO4-6, RO4-7</b> |  |
|--|--|
| Series 1                                 | May 1932 - April 1934                  |
| Series 2                                 | April 1934 - March 1935                |
| Series 3                                 | March 1935 - July 1937                 |
| Series 4                                 | July 1937 - April 1951                 |
| Series 5                                 | April 1951 - April 1953 - Discontinued |

| <b>Round Boilers, Jacketed (SJ or WJ)</b> |   |
|---|---|
| Series D                                  | February 1935 - September 1937 - Discontinued |

| <b>17" Round, Hand-Fired</b> |  |
|------------------------------|--|
| Series B                     | November 1922 - September 1924         |
| Series C                     | September 1924 - April 1928            |
| Series D                     | April 1928 - March 1944 - Discontinued |

| <b>19" Round, Hand-Fired</b> |  |
|------------------------------|--|
| Series B                     | November 1922 - September 1924           |
| Series C                     | September 1924 - March 1928              |
| Series D                     | March 1928 - March 1934                  |
| Series E                     | March 1934 - January 1964 - Discontinued |

| <b>22" Round, Hand-Fired</b> |  |
|------------------------------|--|
| Series B                     | November 22 - May 1924                   |
| Series C                     | May 1924 - March 1928                    |
| Series D                     | March 1928 - April 1951                  |
| Series E                     | April 1951 - January 1964 - Discontinued |

| <b>25" Round, Hand-Fired</b> |  |
|------------------------------|--|
| Series B                     | November 1922 - May 1924                 |
| Series C                     | May 1924 - March 1928                    |
| Series D                     | March 1928 - April 1951                  |
| Series E                     | April 1951 - January 1962 - Discontinued |

| <b>28" Round, Hand-Fired</b> |  |
|------------------------------|--|
| Series B                     | November 1922 - May 1924               |
| Series C                     | May 1924 - March 1928                  |
| Series D                     | March 1928 - April 1951                |
| Series E                     | April 1951 - April 1953 - Discontinued |

| <b>31" Round, Hand-Fired</b> |  |
|------------------------------|--|
| Series B                     | November 1922 - May 1924               |
| Series C                     | May 1924 - March 1928                  |
| Series D                     | March 1928 - April 1946 - Discontinued |

| <b>17" Round, Automatic-Fired</b> |   |
|-----------------------------------|---|
| Series B                          | November 1922 - September 1924            |
| Series C                          | September 1924 - April 1928               |
| Series D                          | April 1928 - March 1934                   |
| Series 1                          | March 1934 - February 1944 - Discontinued |

| <b>19" Round, Automatic-Fired</b> |  |
|-----------------------------------|--|
| Series B                          | November 1922 - September 1924           |
| Series C                          | September 1924 - March 1928              |
| Series D                          | March 1928 - March 1934                  |
| Series 1                          | March 1934 - April 1951                  |
| Series 2                          | April 1951 - January 1964 - Discontinued |

| <b>22" Round, Automatic-Fired</b> |  |
|-----------------------------------|--|
| Series B                          | November 1922 - May 1924                 |
| Series C                          | May 1924 - March 1928                    |
| Series D                          | March 1928 - April 1934                  |
| Series 1                          | April 1934 - April 1951                  |
| Series 2                          | April 1951 - January 1964 - Discontinued |

ADDITIONAL

## Manufacturing Dates By Series ROUND BOILERS

| <b>25" Round, Automatic-Fired</b> |  |
|-----------------------------------|--|
| Series B                          | November 1922 - May 1924                 |
| Series C                          | May 1924 - March 1928                    |
| Series D                          | March 1928 - March 1934                  |
| Series 1                          | March 1934 - April 1951                  |
| Series 2                          | April 1951 - January 1964 - Discontinued |

| <b>28" Round, Automatic-Fired</b> |  |
|-----------------------------------|--|
| Series B                          | November 1922 - May 1924               |
| Series C                          | May 1924 - March 1928                  |
| Series D                          | March 1928 - March 1934                |
| Series 1                          | March 1934 - April 1951                |
| Series 2                          | April 1951 - April 1953 - Discontinued |
|                                   |  |

| <b>31" Round, Automatic-Fired</b> |  |
|-----------------------------------|--|
| Series B                          | November 1922 - May 1924               |
| Series C                          | May 1924 - March 1928                  |
| Series D                          | March 1928 - March 1934 - Discontinued |

# Manufacturing Dates By Series

## OIL BOILERS

| <b>P35</b> |                                      |
|------------|--------------------------------------|
| Series 1   | June 1971 - June 1972 - Discontinued |

| <b>P42</b> |   |
|------------|---|
| Series 1   | August 1964 - April 1967 - Discontinued |

| <b>P43</b> |                                       |
|------------|---------------------------------------|
| Series 1   | April 1967 - June 1971 - Discontinued |

| <b>P52</b> |   |
|------------|---|
| Series 1   | March 1963 - December 1964 - Discontinued |

| <b>P62</b> |   |
|------------|---|
| Series 1   | January 1961 - July 1972 - Discontinued |

| <b>B62 &amp; A62</b> |  |
|----------------------|--|
| Series 1             | January 1961 - April 1962                |
| Series 2             | April 1962 - January 1975 - Discontinued |

| <b>P-65 (Water)</b> |  |
|---------------------|--|
| Series 1            | June 1972 - February 1974 - Discontinued |

| <b>P-65 (Steam)</b> |  |
|---------------------|--|
| Series 1            | December 1972 - February 1974 - Discontinued |

| <b>A &amp; B65</b> |  |
|--------------------|--|
| Series 1           | May 1973 - August 1974                 |
| Series 2           | August 1974 - April 1978               |
| Series 3           | April 1978 - April 1978 - Discontinued |

| <b>A-66E</b> |  |
|--------------|--|
| Series 1     | Never Marketed                         |
| Series 2     | Never Marketed                         |
| Series 3     | March 1978 - April 1987 - Discontinued |

| <b>B-66E</b> |  |
|--------------|--|
| Series 1     | Never Marketed                         |
| Series 2     | Never Marketed                         |
| Series 3     | March 1978 - April 1984 - Discontinued |

| <b>P-66/P-66E</b> |  |
|-------------------|--|
| Series 1          | February 1974 - April 1978             |
| Series 2          | Never Marketed                         |
| Series 3          | March 1978 - April 1984 - Discontinued |
|                   | P-66E Marketed Only as Series 3        |

| <b>B-66HE</b> |  |
|---------------|--|
| Series 1      | Never Marketed                         |
| Series 2      | Never Marketed                         |
| Series 3      | March 1978 - April 1984 - Discontinued |

| <b>P-66HE</b> |   |
|---------------|---|
| Series 1      | Never Marketed  |
| Series 2      | Never Marketed  |
| Series 3      | June 1983 - April 1984 Weil-McLain Burner                 |
|               | April 1984 - April 1987 Weil-McLain Burner - Discontinued |

| <b>P-66HEA, Top Flue Outlet</b>  |   |
|----------------------------------|---|
| Series 1                         | Never Marketed  |
| Series 2                         | Never Marketed  |
| Series 3                         | August 1983 - April 1984 Weil-McLain Burner                       |
|                                  | April 1984 - April 1987 Weil-McLain Burner, Also Beckett & Carlin |
|                                  | May 1985 - April 1987 Incorporated P-266HEA-W                     |
| Boiler Discontinued - April 1987 |   |

| <b>P66WT-B (about 300 units)</b>    |   |
|-------------------------------------|---|
| Series 2                            | December 1977 only Sections used push nipples; Beckett oil burner |
| Boiler Discontinued - December 1977 |   |

| <b>P-68, B-68 and A-68</b> |  |
|----------------------------|--|
| Series 1                   | April 1987 - April 1995 - Discontinued |

| <b>P-68V, B-86V and A-68V</b> |  |
|-------------------------------|--|
| Series 1                      | April 1987 - April 1995 - Discontinued |

| <b>B-72</b> |   |
|-------------|---|
| Series 1    | March 1956 - August 1966 - Discontinued |

| <b>A-72</b> |   |
|-------------|---|
| Series 1    | March 1956 - August 1966 - Discontinued |

| <b>B-73</b> |                                       |
|-------------|---------------------------------------|
| Series 1    | August 1966 - May 1976 - Discontinued |

| <b>FA-73</b> |                                       |
|--------------|---------------------------------------|
| Series 1     | August 1967 - May 1976 - Discontinued |

| <b>B-76</b> |  |
|-------------|--|
| Series 1    | September 1975 - May 1993 - Discontinued |

| <b>B-78</b> |                                     |
|-------------|-------------------------------------|
| Series 1    | May 1993 - July 2002 - Discontinued |

| <b>B-82 &amp; A-82</b> |   |
|------------------------|---|
| Series 1               | April 1958 - August 1975 - Discontinued |

| <b>B-84</b> |  |
|-------------|--|
| Series 1    | February 1956 - September 1969             |
| Series 2    | September 1969 - April 1977 - Discontinued |

ADDITIONAL

# Manufacturing Dates By Series OIL BOILERS

|             |  |
|-------------|--|
| <b>B-86</b> |  |
| Series 1    | July 1974 - February 1985 - Discontinued |

|             |   |
|-------------|---|
| <b>P-86</b> |   |
| Series 1    | January 1975 - February 1985 - Discontinued |

|             |                            |
|-------------|----------------------------|
| <b>B-88</b> |                            |
| Series 1    | February 1985 - March 2008 |
| Series 2    | March 2008 - Present       |

|                                  |                        |
|----------------------------------|------------------------|
| <b>Gold Oil (WGO, WTGO, SGO)</b> |                        |
| Series 1                         | April 1995 - June 1996 |
| Series 2                         | June 1996 - June 1997  |
| Series 3                         | June 1997 - Present    |

|              |  |
|--------------|--|
| <b>SF-90</b> |  |
| Series 1     | August 1979 - January 1983               |
| Series 2     | January 1983 - April 1985 - Discontinued |

|             |  |
|-------------|--|
| <b>B-92</b> |  |
| Series 1    | August 1963 - March 1965                 |
| Series 2    | March 1965 - August 1969                 |
| Series 3    | August 1969 - August 1975 - Discontinued |

|              |   |
|--------------|---|
| <b>BH-92</b> |   |
| Series 1     | August 1963 - January 1965 - Discontinued |

|              |   |
|--------------|---|
| <b>HR-92</b> |   |
| Series 1     | August 1965 - January 1965 - Discontinued |

|             |                          |
|-------------|--------------------------|
| <b>B-94</b> |                          |
| Series 1    | March 1965 - July 1967   |
| Series 2    | July 1967 - January 1983 |
| Series 3    | January 1983 - Present   |

|             |                          |
|-------------|--------------------------|
| <b>H-94</b> |                          |
| Series 1    | March 1965 - July 1967   |
| Series 2    | July 1967 - January 1983 |
| Series 3    | January 1983 - Present   |

|             |                     |
|-------------|---------------------|
| <b>80</b>   |                     |
| 80 Series 1 | July 2002 - Present |

|                  |                                |
|------------------|--------------------------------|
| <b>Ultra Oil</b> |                                |
| Series 1         | November 2005 - September 2012 |
| Series 2         | September 2012 - October 2014  |
| Series 3         | October 2014 - Present         |

## Indirect-Fired Water Heaters

|                                      |   |
|--------------------------------------|---|
| Plus, Combo Series 1                 | August 1991 - August 1998 - Discontinued  |
| Plus, Gold Series 2                  | August 1998 - August 2008 - Discontinued  |
| Plus, Gold Plus, Ultra Plus Series 3 | August 2008 - January 2012 - Discontinued |
| Aqua Plus                            | June 2011 - Present                       |
| Aqua Logic                           | July 2013 - Present                       |

## Energy Management/Multiple Boiler Controls

|                        |  |
|------------------------|--|
| EMCS                   | Approx.-1984 - May 2001 - Discontinued |
| BCP-3,6,12             | May 2001 - April 2008 - Discontinued   |
| BCP-3 8W, 8S, BMC, BSC | April 2008 - Present                   |

## Electric Boilers

|            |   |
|------------|---|
| <b>CS</b>  |   |
| Series 1   | April 1967 - January 1970                   |
| Series 1A  | January 1970 - June 1971                    |
| Series 4   | June 1971 - January 1972                    |
| Series 5   | January 1972 - August 1975 - Discontinued   |
| <b>C</b>   |   |
| Series 1   | February 1965 - August 1965                 |
| Series 2   | August 1965 - March 1966                    |
| Series 3   | March 1966 - January 1970                   |
| Series 3A  | January 1970 - June 1971                    |
| Series 4   | June 1971 - December 1973                   |
| Series 5   | December 1973 - January 1975 - Discontinued |
| <b>ER</b>  |   |
| Series 1   | August 1972 - August 1975                   |
| Series 2   | August 1975 - July 1980                     |
| Series 3   | July 1980 - June 2005 - Discontinued        |
| <b>PER</b> |   |
| Series 1   | August 1972 - August 1975                   |
| Series 2   | August 1975 - July 1980                     |
| Series 3   | July 1980 - June 2005 - Discontinued        |
| <b>CER</b> |   |
| Series 1   | June 1973 - July 1980                       |
| Series 2   | July 1980 - June 2005 - Discontinued        |
| <b>CE</b>  |   |
| Series 1   | August 1975 - February 1982                 |
| Series 2   | February 1982 - June 2005 - Discontinued    |

## Miscellaneous Products

|                    |                          |
|--------------------|--------------------------|
| Radiant Products   | 2002-2006 - Discontinued |
| QB-180/300 Burners | 1996-2001 - Discontinued |

## **Burner Manufacturer Contact Information**

When ordering burner repair parts from the following manufacturers, please provide UL Serial Number, Burner Model Number and Control/Burner Specification Number as appropriate.

R.W. Beckett Corporation  
38251 Center Ridge Rd.  
PO Box 1289  
Elyria, OH 44035  
440-327-1060

Carlin Combustion Technology, Inc.  
70 Maple St.  
East Long Meadow, MA 01028  
413-525-7700

Power-Flame, Inc.  
2001 S. 21st St.  
Parsons, KS 67357  
620-421-0480

Webster Engineering and Manufacturing Co., Inc.  
619 Industrial Rd., Drawer 748  
Winfield, KS 67156  
620-221-7464

Riello Corporation Of America  
35 Pond Park Road  
Hingham, MA 02043  
800-474-3556



# NOTES



SERVICE PARTS CATALOG  
Issued June, 2019

For trade price schedule, wiring diagrams, boiler manuals or appropriate control supplement, please go to [Weil-McLain.com](http://Weil-McLain.com)